

Main Index

<div style="border: 1px solid black; padding: 2px; display: inline-block; margin-bottom: 10px;">DV</div> <div style="border: 1px solid black; padding: 2px; display: inline-block; margin-left: 5px;">Index</div>	<p>Index</p> <p>Update Table</p>	<p>Page A01-A02</p> <p>Page A03</p>
<div style="border: 1px solid black; padding: 2px; display: inline-block; margin-bottom: 10px;">A</div> <div style="border: 1px solid black; padding: 2px; display: inline-block; margin-left: 5px;">DV</div>	<p>Profiles</p> <p>Specification Pages</p> <p>Technical Information</p> <p>Scale Profile Drawings</p>	<p>Page A04-A07</p> <p>Page A09-A14</p> <p>Page A15-A33</p>
<div style="border: 1px solid black; padding: 2px; display: inline-block; margin-bottom: 10px;">B</div> <div style="border: 1px solid black; padding: 2px; display: inline-block; margin-left: 5px;">DV</div>	<p>Accessories</p> <p>Photos & Drawings</p>	<p>Page B03-B35</p>
<div style="border: 1px solid black; padding: 2px; display: inline-block; margin-bottom: 10px;">C</div> <div style="border: 1px solid black; padding: 2px; display: inline-block; margin-left: 5px;">DV</div>	<p>Sections</p> <p>Open Out - Scale Elevations</p> <p>Open In - Scale Elevations</p>	<p>Page C03-C37</p> <p>Page C39-C72</p>
<div style="border: 1px solid black; padding: 2px; display: inline-block; margin-bottom: 10px;">D</div> <div style="border: 1px solid black; padding: 2px; display: inline-block; margin-left: 5px;">DV</div>	<p>Statics</p> <p>Open Out & In</p>	<p>Page D03-D07</p>
<div style="border: 1px solid black; padding: 2px; display: inline-block; margin-bottom: 10px;">E</div> <div style="border: 1px solid black; padding: 2px; display: inline-block; margin-left: 5px;">DV</div>	<p>Construction Drawings - Open Out</p> <p>1 - Corner, Threshold & Transom Jointing.....</p> <p>2 - Drainage.....</p> <p>3 - Locking Hardware.....</p> <p>4 - Flush Handle Installation.....</p> <p>5 - DV50 Sash Reinforcement.....</p> <p>6 - Adjustable Jamb.....</p> <p>7 - DV32/DV38 Preparation.....</p> <p>8 - Weather Seals.....</p> <p>9 - Hinges.....</p> <p>10 - Glazing.....</p> <p>11 - Magnetic Catch.....</p> <p>12 - Glass Adjuster Kit</p> <p>13 - 90° Corner Assembly Post</p> <p>14 - DV17 & DV176 Assembly.....</p> <p>15 - PAS24:2016 Details</p> <p>16 - ACDV291N Restrictor</p>	<p>Page E03-E05</p> <p>Page E06</p> <p>Page E07-E26</p> <p>Page E27</p> <p>Page E28</p> <p>Page E29</p> <p>Page E30</p> <p>Page E31-E33</p> <p>Page E34-E35</p> <p>Page E36</p> <p>Page E37-E38</p> <p>Page E39</p> <p>Page E40</p> <p>Page E41</p> <p>Page E42-E43</p> <p>Page E44-E45</p>

Main Index



Construction Drawings - Open In

1	-	Corner & Transom Jointing.....	Page E49-E51
2	-	Drainage.....	Page E52
3	-	Locking Hardware.....	Page E53-E72
4	-	Flush Handle Installation.....	Page E73
5	-	DV50 Sash Reinforcement.....	Page E74
6	-	Adjustable Jamb.....	Page E75
7	-	DV32/DV38 Preparation.....	Page E76
8	-	Weather Seals.....	Page E77-E79
9	-	Hinges.....	Page E80-E81
10	-	Glazing.....	Page E82
11	-	Magnetic Catch.....	Page E83-E84
12	-	Glass Adjuster Kit	Page E85
13	-	90° Corner Assembly Post	Page E86
14	-	ACDV291N Restrictor	Page E87-E88



Sawing Tables

Open Out	-	Cutting Information	Page F03-F28
----------	---	---------------------------	--------------

Sawing Tables

Open In	-	Cutting Information	Page F29-F53
---------	---	---------------------------	--------------

Updates

DATE	PAGE	DESCRIPTION
04/09/17	A10, A20, D03-D07, E27 & E70	Added DV50 Sash Reinforcement Insert
04/09/17	B21 & B22	Added Split Spindle Locking Options
	A12, A25 & C17	Added DV271 Open Out Low Threshold
	A12, A28 & C10	Added DV551 & DV552 Adjustable Jamb
	E41, E42, E84 & E85	Added ACDV290 Restrictor
	B03	Added ACCY5050S3 3 Star Security Cylinder
	E28, E75 & F17	Added Adjustable Jamb Details and Example Cutting Sheet
01/03/17	A13, A14, A30 & C72	Added ETC048 Corner Post and UN3000 Horizontal Coupler
20/12/18	E42	Added details for PAS24:2016 Hinged Rollers
14/02/19	B11, E44, E45, E87, E88	Replaced ACDV290 Door Restrictor with ACDV291N.
	Various Pages	Updated PAS24 details and Kitemark.
	B14, E11, E57	Added ACDV396 Shootbolt Keep.

Specification

GENERAL DESCRIPTION

The Visofold 1000 described in this manual is suitable for domestic or commercial applications and provides various opening options within impressive dimension and weight limitations using slim-line sections.

PROFILE SPECIFICATION

The frames are constructed of aluminium alloy extrusion to BS EN 755, extruded from 6063 T6 alloy. The external aluminium alloy extrusion is pre-treated and finished either in :-

- a) Anodised to BS 3987: 1987, grade AA25 to a natural self colour.
- b) Polyester powder organic coating to BS 6496.

GENERAL MANUFACTURING

Frames are made by cutting the profiles with accurate 45° mitred ends using Tungsten Carbide Tipped Saw Blades, operating at approximately 3000 rpm.

The joints of the outer frame are made using mechanically fixed corner cleats unless a low threshold is used which requires stainless steel self tapping screws to be fixed through the vertical members of the outerframe. Door joints are achieved with the use of mechanically fixed corner cleats. All joints should be sealed using an adequate sealant.

Care should be exercised when using products not supplied by Smart Systems Ltd as no responsibility can be accepted.

RECOMMENDED DESIGN LIMITATIONS

Minimum Sash Width: 700mm

Maximum Sash Width: 1200mm (Sash widths over 900mm require ACDV295)

Maximum Sash Height: 2500mm (dependant on site conditions)

Maximum Sash Weight: 100kg

Specification

DRAINAGE

As with all dry glazed systems, it is recommended that the system is drained and ventilated as shown in this manual. IF IN DOUBT, ASK.

OUTER FRAME MANUFACTURING INFORMATION

The outer frame members are cut with 45° mitred ends to the overall size required.

The mitred ends are then prepared using the punch tool ACDV900 to provide the access for the fixing block and to the grub screw that secures it.

All joints shall be sealed using ACSIL04 and with cleat glue ACSIL013.

Holes for the low threshold are drilled to the dimensions shown in the manual. All joints shall be sealed using ACSIL04

DOOR LEAF MANUFACTURING INFORMATION

The door stiles and rails are cut with 45° mitres to the overall size required. The horizontal rails of the last sash must be measured in to allow for fabrication tolerances.

All joints shall be sealed using ACSIL04 and with cleat glue ACSIL013.

DOOR FITTINGS

Visofold 1000 offers multi-point locking for the primary leaf which is locked by lifting the handle and turning the key of the europrofile cylinder.

Secondary doors are closed using either:

- a shootbolt which engages into the head and threshold using a rotating handle. There is no external access to the shootbolt locking.
- a lever/lever operated lock which engaged into the head and threshold. This option offers external access.

The cylinders may be ordered as keyed alike.

Important Note: Shootbolt handles are not designed to open & close the doors. ACDV234/ACDV274 'D' handles must be used.

Specification

GLAZING

All beads are cut to suit the glazing aperture on the fully assembled door for glazing either at factory or on site as required. Glazing is for 24, 28, 34, 36 & 38mm double glazed units only with square beads & 32-34mm double glazed units with sloped bead.

External gaskets are compatible with Pilkington Active sealed units.

Visofold 1000 Weather Performance - Open Out - Rebated Theshold

BS EN 1026: 2000 Air Permeability:	Class 4 600Pa
BS EN 1027: 2000 Watertightness:	Class E 750Pa
BS EN 12211: 2000 Resistance to Wind Load:	Class A4 1800Pa

IMPORTANT NOTE: Low thresholds have not been weather tested as they are unlikely to exceed UK exposure category 800 X shown below:

BS EN 1026: 2000 Air Permeability:	Class 1 150Pa
BS EN 1027: 2000 Watertightness:	Class 2A 50Pa
BS EN 12211: 2000 Resistance to Wind Load:	Class A2 800Pa

Visofold 1000 PAS24:2016

We have successfully tested a 3 Pane, open out, fully framed door to PAS24:2016 using the accessories shown on Page E40. The full report can be downloaded from www.smartsystems.co.uk

Visofold 1000 U Values

Please refer to the Smart Systems' Document L White Paper or contact the Technical Department.

Specification

Kitemark™ Certificate

No. KM 530838

Visofold 1000 Door Systems

BS 4873:2016 / PAS 24:2016 - General and enhanced security performance requirements for door assemblies.

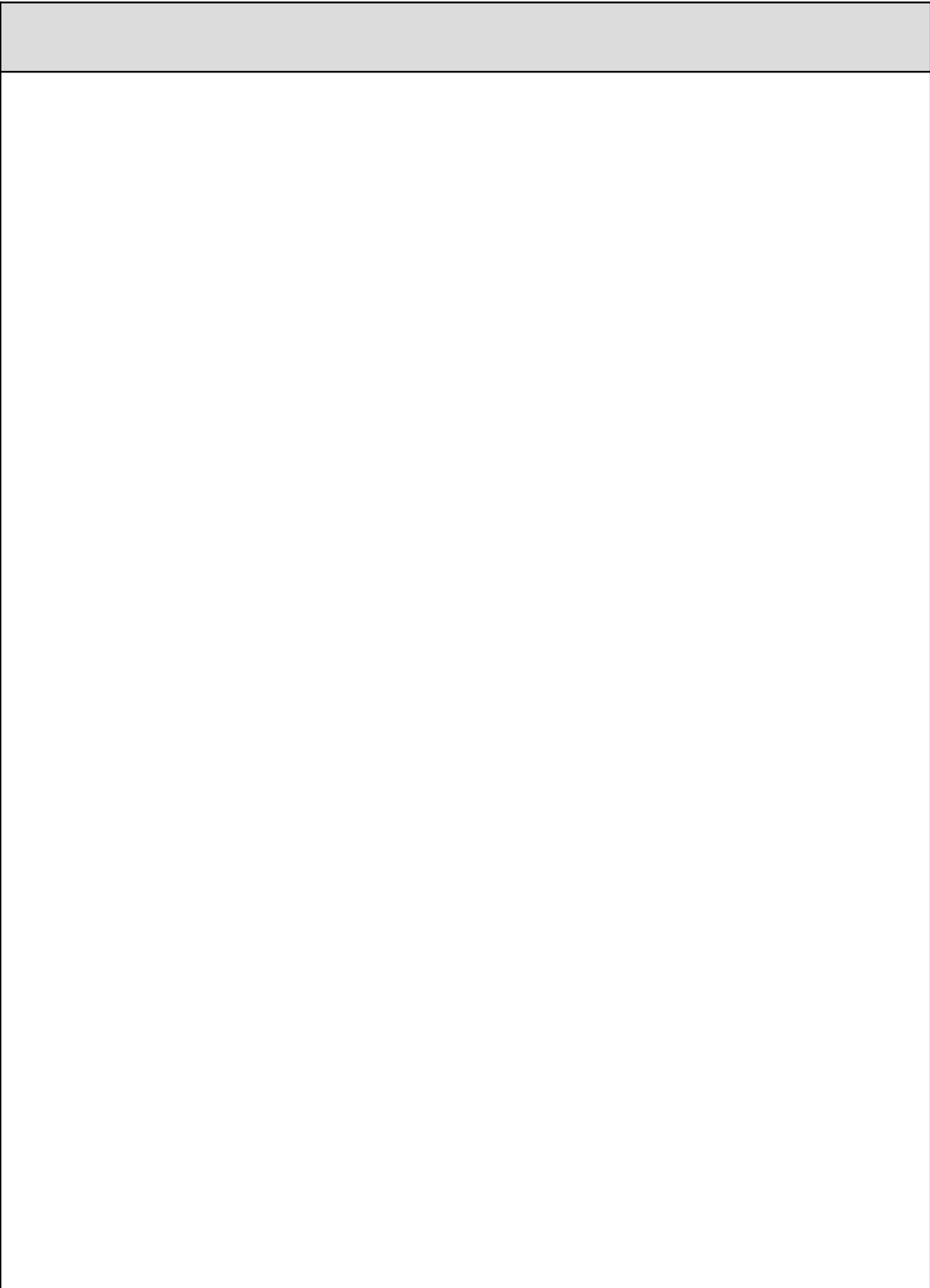
Profiles : Outer Frame: DV14/17/32/38/56/60/62/68/75/76/171/172/173/174/175/176/271/273/555/EUD03
 Leaf : DV23/26/28/29
 Midrail : DV30/35
 Frame Filler: PCX36/38

Hardware : Locking : ACDV722/723/727/728/737/738/742/744
 Ancillary : ACET217 Mullion Keep Support, ACDV080 Run Up, ACDV081 Anti-Lift Blocks
 Shoot Bolts : ACDV227/229/297/328
 Hinges : ACDV232/331/332/333/532/380/381
 Handle : ACDV225/226/501/502/524/525/251* ACET480
 Cylinder + Cover : ACCY5050S3*, ACDV258, ACMX01604
 *Handle ACDV251 must be used with security cylinder ACCY5050S3

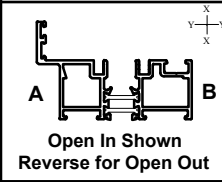
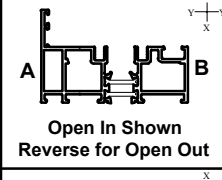
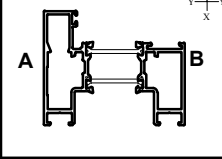
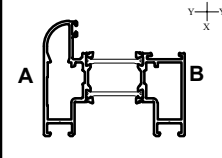
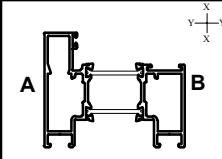
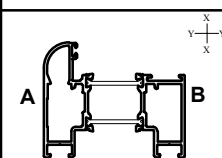
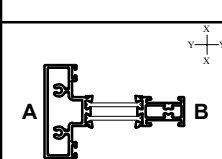
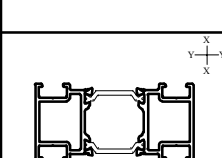
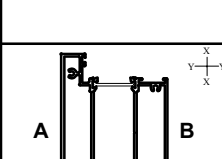
Kitemark Size Limitations And Performance Characteristics

Door Type	Leaf Width (mm) - Maximum	Leaf Height (mm) - Maximum	Weight (kg) - Maximum	Area (M ²) - Maximum	Air Permeability classification	Water tightness classification	Resistance to Wind classification	Exposure category as given in Table 1 of BS 6375-1:2009
Size Limitations and Performance Characteristics (with DV32)								
Individual Leaf	1200	2500	-	-	1	2A	A2	800X
Size Limitations and Performance Characteristics (without DV32, fully rebated open-out)								
Individual Leaf	1200	2500	-	-	4	E750	A4	1800

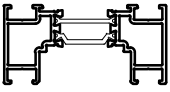
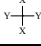

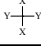
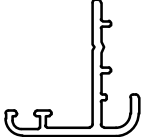
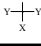

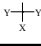

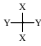
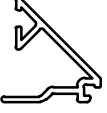
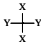
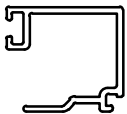
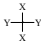

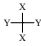
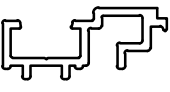
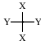
Please refer to Kitemark Certificate for full details.



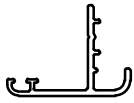





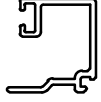

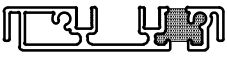
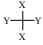
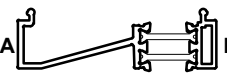
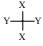

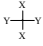

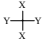
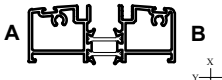
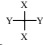
PROFILES : TECHNICAL INFORMATION

Number	Picture	Page	Perim. mm	Mec. mm	lx(cm4) wx(cm3)	ly(cm4) wy(cm3)	Length	Pack pr.	MF	SA	KL	HP	M	
DV14	 Open In Shown Reverse for Open Out	A15	462	100	37.0 ----- 8.9	7.8 ----- 4.3	6.5	1	✓	✓	✓	✓	✓	
DV17	 Open In Shown Reverse for Open Out	A15	475	88	47.3 ----- 10.5	9.5 ----- 5.2	6.5	1	✓	✓	✓	✓	✓	
DV23		A16	422	122	43.0 ----- 10.6	16.2 ----- 5.8	6.5	1	✓	✓	✓	✓	✓	
DV26		A16	417	117	41.8 ----- 10.4	15.2 ----- 5.8	6.5	1	✓	✓	✓	✓	✓	
DV28		A17	422	122	42.6 ----- 10.5	16.5 ----- 5.9	6.5	1	✓	✓	✓	✓	✓	
DV29		A17	417	117	41.5 ----- 10.3	15.5 ----- 5.6	6.5	1	✓	✓	✓	✓	✓	
DV30		A18	325	99	28.3 ----- 6.2	6.7 ----- 2.7	6.5	1	✓	✓	✓	✓	✓	
DV32		A18	370	82	33.2 ----- 9.0	6.2 ----- 3.5	6.5	1	✓	✓	✓	✓	✓	
DV35		A19	577	219	69.8 ----- 16.6	97.6 ----- 17.9	6.5	1	✓	✓	✓	✓	✓	
									A = Outside B = Inside		MF = Mill Finish SA = Silver Anodised KL = Basic Colour HP = Special Colour M = Dual Colour			

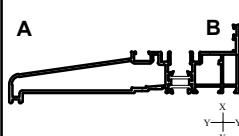
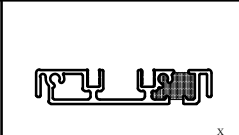
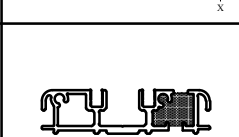
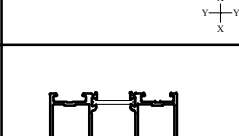
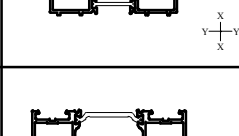
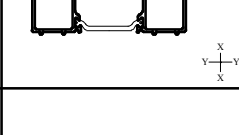
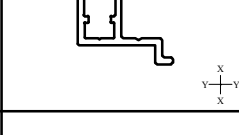
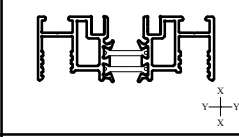
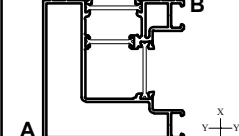
PROFILES : TECHNICAL INFORMATION

Number	Picture	Page	Perim. mm	Mec. mm	lx(cm4) wx(cm3)	ly(cm4) wy(cm3)	Length	Pack pr.	MF	SA	KL	HP	M	
DV38	 	A19	371	37	33.7 ----- 9.1	5.1 ----- 3.2	6.5	1	✓	✓	✓	✓	✓	
DV50	 	A20	-	-	0.4 ----- 0.4	1.3 ----- 0.9	6.5	1	✓					
DV56	 	A20	125	45	- ----- -	- ----- -	6.5	1	✓	✓	✓	✓		
DV60	 PVC 	A20	43	-	- ----- -	- ----- -	6	1	✓					
DV62	 	A20	59	-	- ----- -	- ----- -	4	1	✓					
DV64	 	A20	62	25	- ----- -	- ----- -	5	1	✓	✓	✓	✓		
DV67	 	A20	144	50	- ----- -	- ----- -	6.5	1	✓	✓	✓	✓		
DV68	 	A20	98	4	- ----- -	- ----- -	6.5	1	✓	✓	✓	✓		
DV75	 	A20	143	10	- ----- -	- ----- -	6.5	1	✓	✓	✓	✓		
									A = Outside B = Inside		MF = Mill Finish SA = Silver Anodised KL = Basic Colour HP = Special Colour M = Dual Colour			

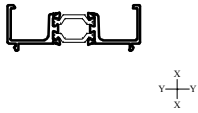
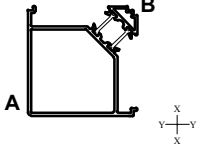

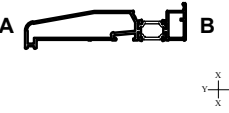
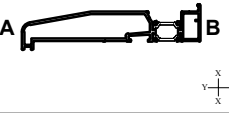
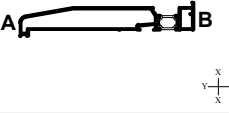
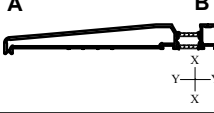

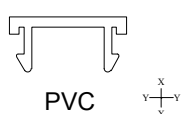
PROFILES : TECHNICAL INFORMATION

Number	Picture	Page	Perim. mm	Mec. mm	lx(cm4) wx(cm3)	ly(cm4) wy(cm3)	Length	Pack pr.	MF	SA	KL	HP	M	
DV76	 	A20	143	42	- ----- -	- ----- -	6.5	1	✓	✓	✓	✓		
DV160	 	A20	150	42	- ----- -	- ----- -	6.5	1	✓	✓	✓	✓		
DV161	 	A20	128	31	- ----- -	- ----- -	6.5	1	✓	✓	✓	✓		
DV166	 	A20	132	46	- ----- -	- ----- -	6.5	1	✓	✓	✓	✓		
DV171	 	A21	409	113	23.51 ----- 1.40	1.06 ----- 6.20	6.5	1		✓				
DV172	 	A21	631	97	30.1 ----- 8.0	12.8 ----- 6.0	6.5	1	✓	✓	✓	✓	✓	
DV173	 	A22	473	119	- ----- -	- ----- -	6.5	1		✓				
DV174	 	A22	187	47	- ----- -	- ----- -	6.5	1		✓				
DV175	  Open In Shown Reverse For Open Out	A23	380	136	- ----- -	- ----- -	6.5	1	✓	✓	✓	✓	✓	
									A = Outside B = Inside		MF = Mill Finish SA = Silver Anodised KL = Basic Colour HP = Special Colour M = Dual Colour			


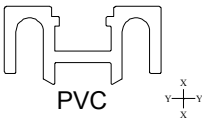
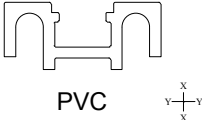
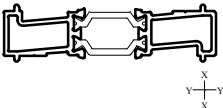


PROFILES : TECHNICAL INFORMATION

Number	Picture	Page	Perim. mm	Mec. mm	lx(cm4) wx(cm3)	ly(cm4) wy(cm3)	Length	Pack pr.	MF	SA	KL	HP	M	
DV176		A24	658	226	314.1 ----- 31.3	15.8 ----- 7.2	6.5	1	✓	✓	✓	✓	✓	
DV271		A25	356	170	23.4 ----- 5.8	1.10 ----- 1.5	6.5	1		✓				
DV273		A25	396	190	25.19 ----- 6.3	2.15 ----- 2.24	6.5	1		✓				
DV515		A26	356	85	27.16 ----- 7.76	14.38 ----- 6.75	6.5	1	✓	✓	✓	✓	✓	
DV516		A26	356	85	40.39 ----- 9.85	10.65 ----- 5.00	6.5	1	✓	✓	✓	✓	✓	
DV551		A28	106	18	0.31 ----- 0.28	0.60 ----- 0.60	6.5	1	✓	✓	✓	✓		
DV552		A28	316	114	25.81 ----- 6.92	2.94 ----- 1.92	6.5	1	✓	✓	✓	✓	✓	
DV555		A27	544	150	46.95 ----- 12.23	56.06 ----- 14.46	6.5	1	✓	✓	✓	✓	✓	
DV558		A27	305	41	21.77 ----- 5.31	0.97 ----- 0.96	6.5	1	✓	✓	✓	✓	✓	
									A = Outside B = Inside		MF = Mill Finish SA = Silver Anodised KL = Basic Colour HP = Special Colour M = Dual Colour			

PROFILES : TECHNICAL INFORMATION

Number	Picture	Page	Perim. mm	Mec. mm	lx(cm4) wx(cm3)	ly(cm4) wy(cm3)	Length	Pack pr.	MF	SA	KL	HP	M	
DV559		A27	305	21	14.7 ----- 4.2	1.3 ----- 1.2	6.5	1	✓	✓	✓	✓	✓	
ETC048		A30	414	140	42.6 ----- 5.9	42.6 ----- 5.9	6.5	1	✓	✓	✓	✓	✓	
ETC451		A31	304	109	32.44 ----- 7.29	3.46 ----- 2.79	6.5	1	✓	✓	✓	✓	✓	
ETC452		A31	414	197	122.46 ----- 18.03	6.01 ----- 3.34	6.5	1	✓	✓	✓	✓	✓	
ETC457		A31	444	212	163.27 ----- 21.60	6.79 ----- 3.73	6.5	1	✓	✓	✓	✓	✓	
ETC458		A32	524	252	313.62 ----- 32.63	8.87 ----- 4.79	6.5	1	✓	✓	✓	✓	✓	
ETC477		A33	752	408	1591.6 ----- 105.33	26.84 ----- 12.84	6.5	1	✓	✓	✓	✓	✓	
ETC479		A32	594	287	501.64 ----- 44.04	9.72 ----- 5.34	6.5	1	✓	✓	✓	✓	✓	
PCX15		A29	63	-	- ----- -	- ----- -	4	1	✓					
									A = Outside B = Inside		MF = Mill Finish SA = Silver Anodised KL = Basic Colour HP = Special Colour M = Dual Colour			

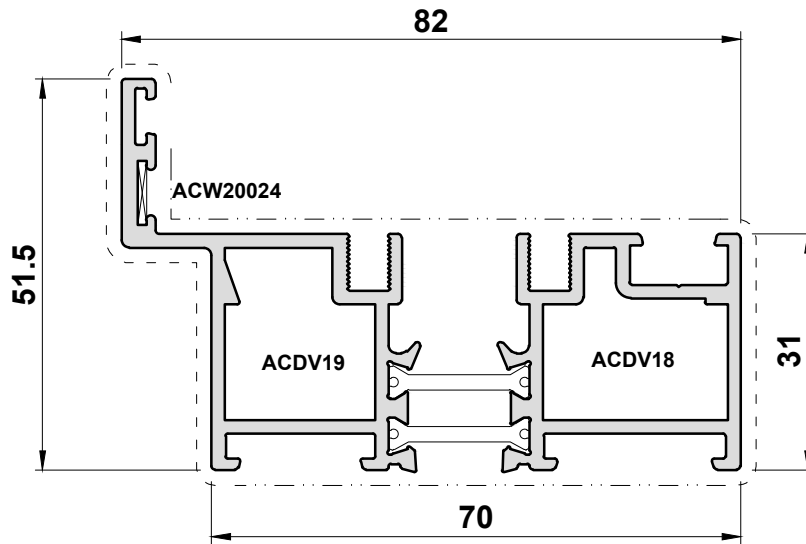
PROFILES : TECHNICAL INFORMATION

Number	Picture	Page	Perim. mm	Mec. mm	Ix(cm4) wx(cm3)	Iy(cm4) wy(cm3)	Length	Pack pr.	MF	SA	KL	HP	M	
EUD03	 X Y X	A28	113	39	- - -	- - -	4	1	✓	✓				
PCX36	 PVC X Y X	A29	211	-	- - -	- - -	3	1	✓					
PCX38	 PVC X Y X	A29	190	-	- - -	- - -	3	1	✓					
UN3000	 X Y X	A30	200	52	15.8 - 4.51	0.79 - 0.84	6.5	1	✓	✓	✓	✓	✓	
VG52	 PVC X Y X	A29	25	-	- - -	- - -	7	1	✓					
VG53	 STAINLESS STEEL X Y X	A29	53	-	- - -	- - -	6.5	1	✓					
									A = Outside B = Inside		MF = Mill Finish SA = Silver Anodised KL = Basic Colour HP = Special Colour M = Dual Colour			

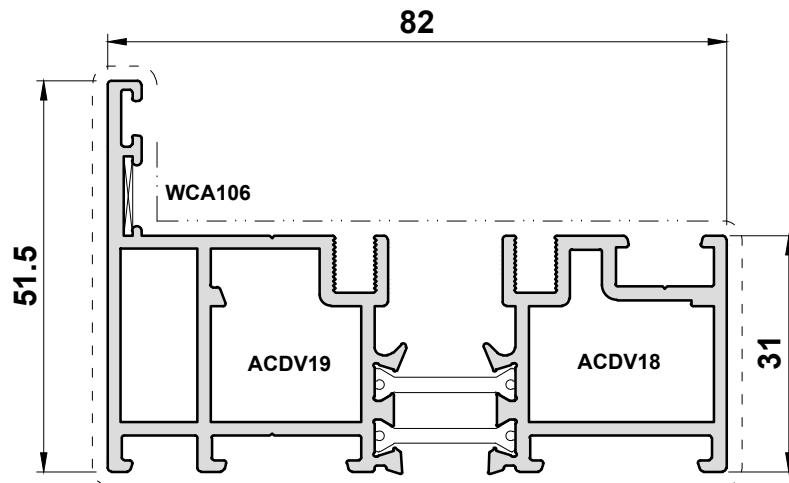
Primary Visible Side

Secondary Visible Side

DV14
Standard Rebated Outer Frame



DV17
Rebated Outer Frame

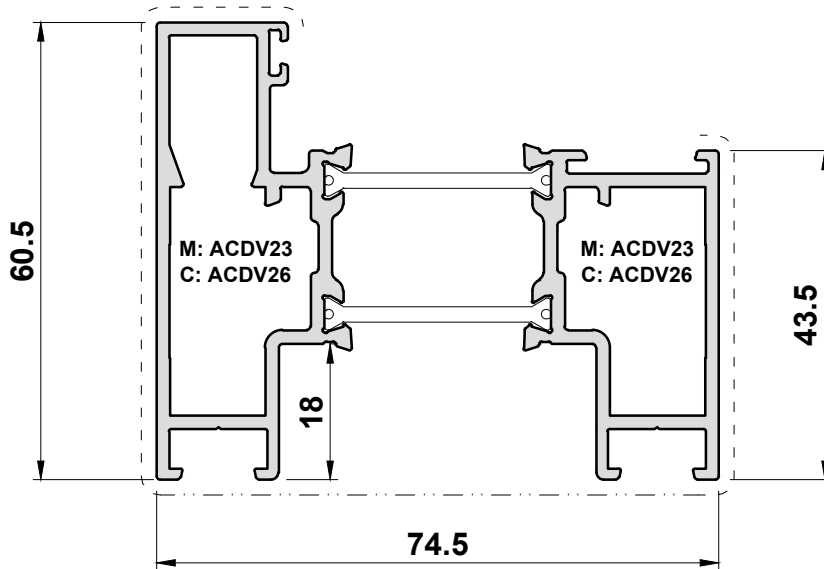


Scale 1:1

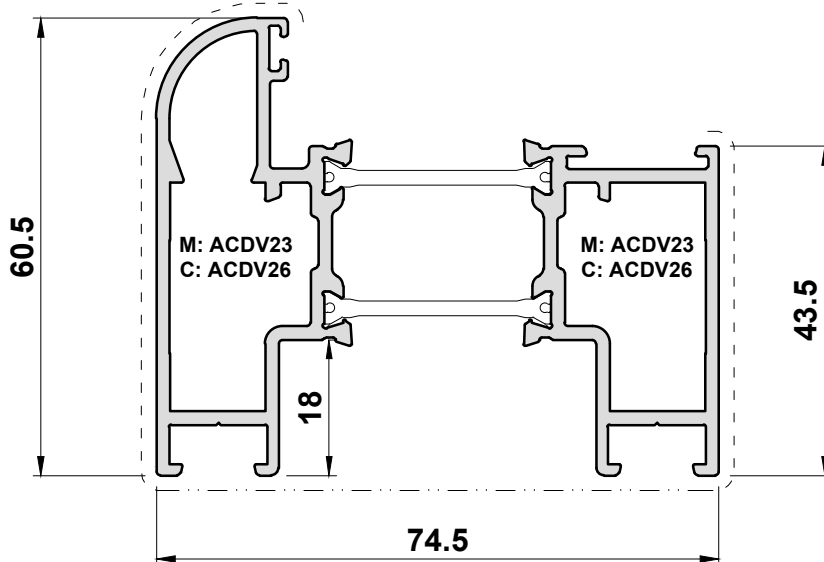
Primary Visible Side

Secondary Visible Side

DV23
Square Sash



DV26
Curved Sash

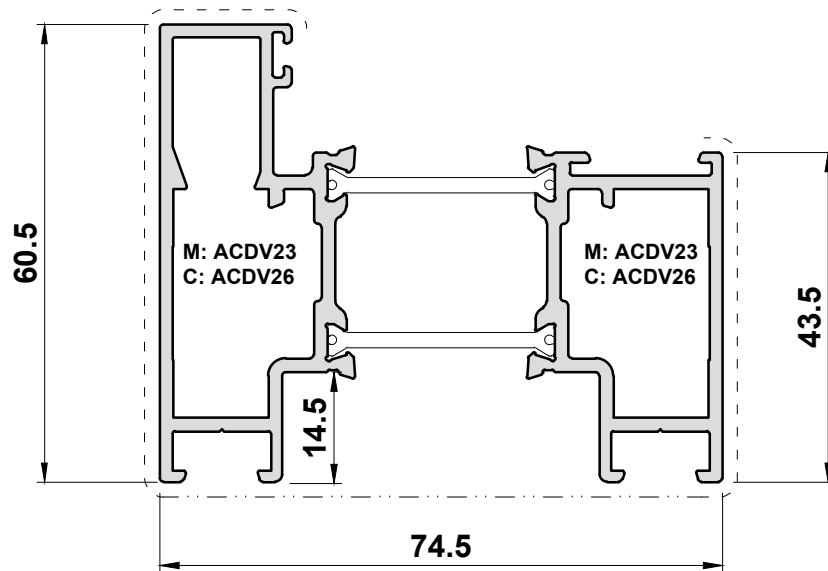


Scale 1:1

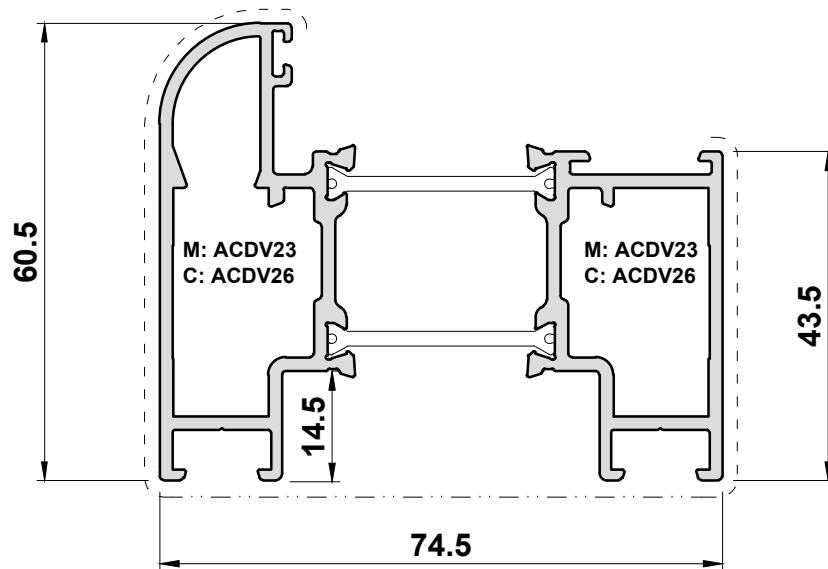
Primary Visible Side

Secondary Visible Side

DV28
Square Sash for Flat Handles*



DV29
Curved Sash for Flat Handles*



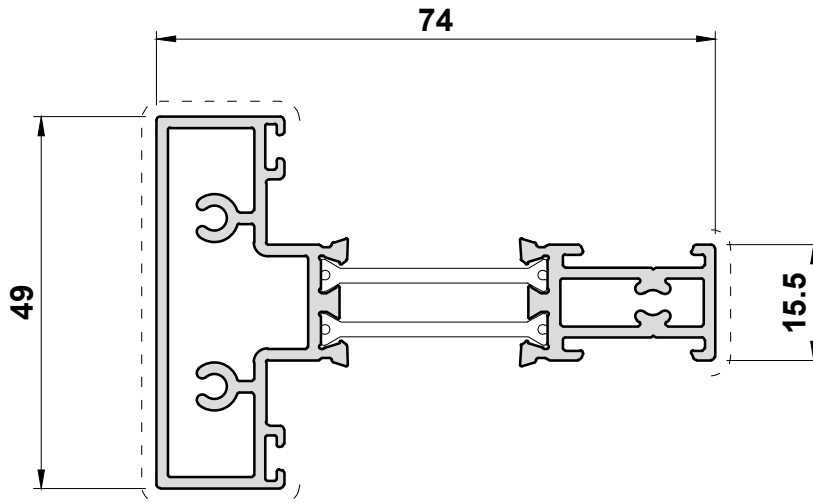
*ACDV501, ACDV502, ACDV524 & ACDV525

Scale 1:1

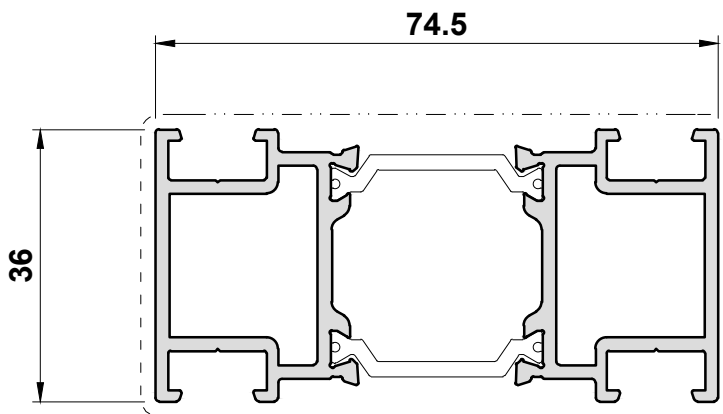
Primary Visible Side

Secondary Visible Side

DV30
Sash Transom



DV32
Floating Mullion

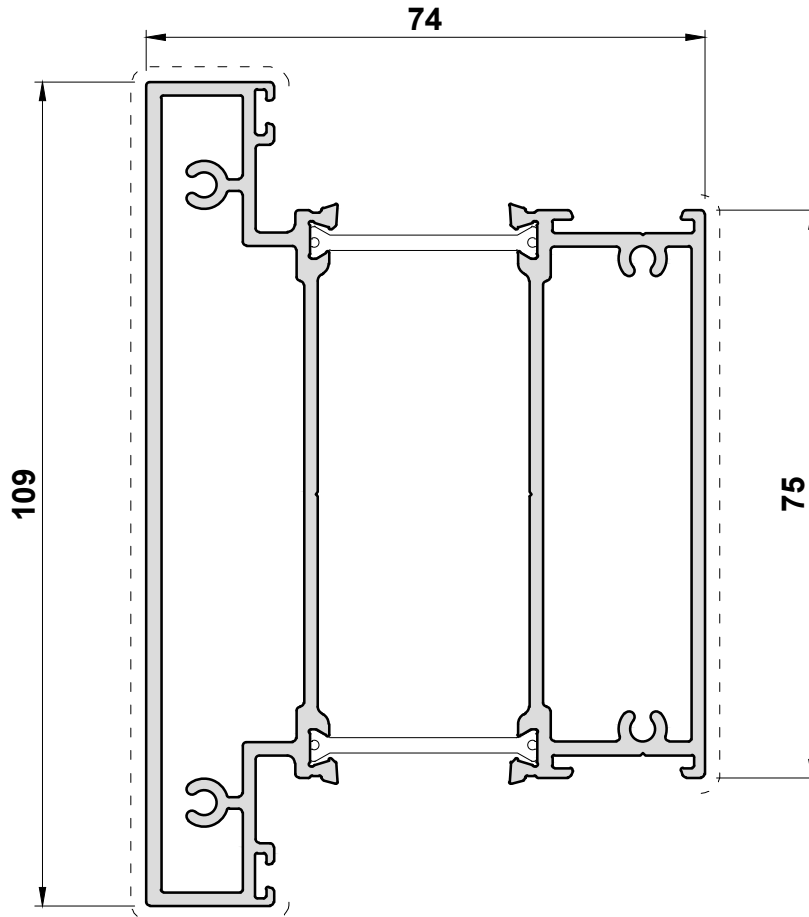


Scale 1:1

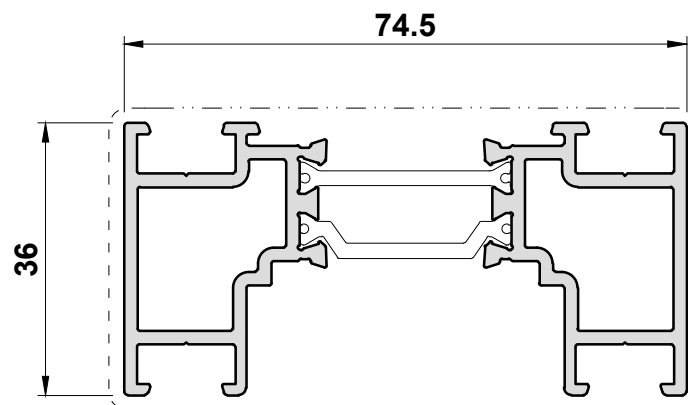
Primary Visible Side

Secondary Visible Side

DV35
Deep Sash Transom



DV38
Floating Mullion for Keep

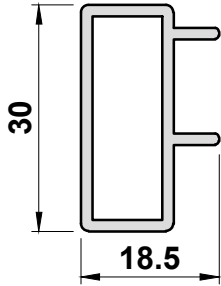


Scale 1:1

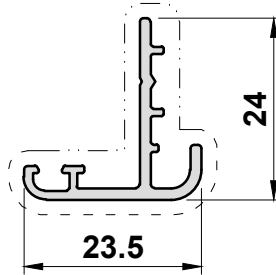
Primary Visible Side

Secondary Visible Side

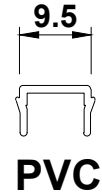
DV50
Sash Reinforcement



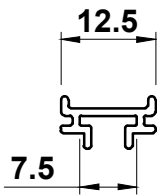
DV56
End Cap = ACDV56



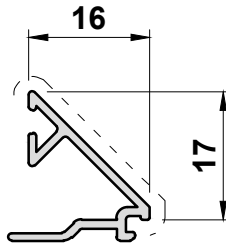
DV60
Infill Strip



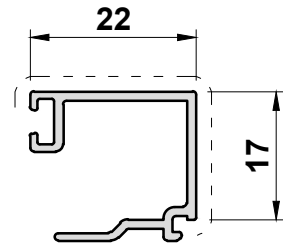
DV62
Woolpile Carrier



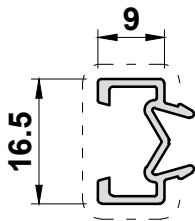
DV64
32-34mm Glazing



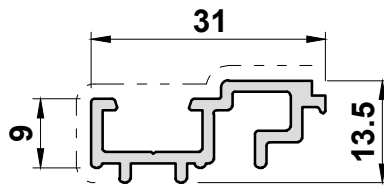
DV67
28mm Glazing



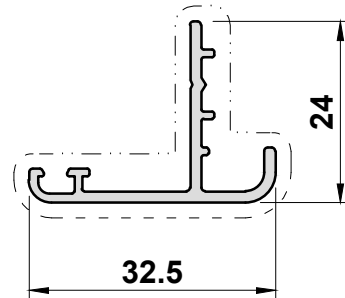
DV68
Gasket Carrier



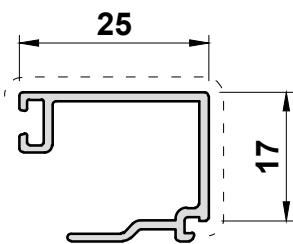
DV75
French Door Adaptor



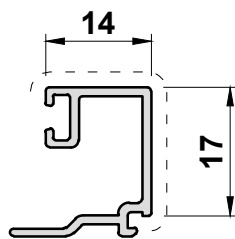
DV76
End Cap = ACDV76



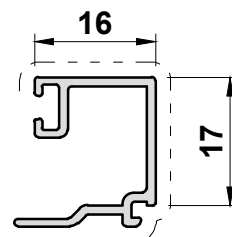
DV160
24mm Glazing



DV161
34-38mm Glazing



DV166
32mm Glazing



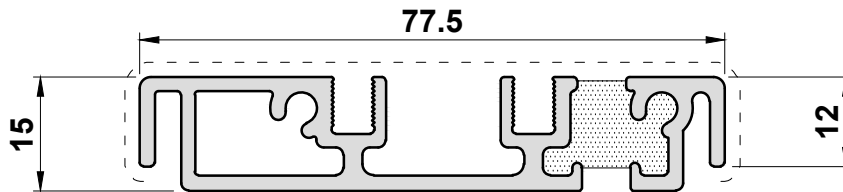
Scale 1:1

Primary Visible Side

Secondary Visible Side

DV171*

Low Threshold
Open In Only

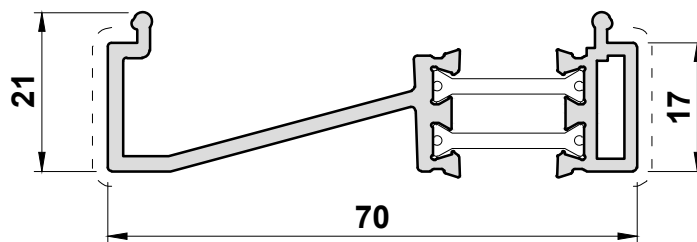


End Cap = ACDV171

***DV171 is non-rebated. Please use rebated threshold where enhanced weather performance is required.**

DV172

Flush Drainage Cill



Scale 1:1

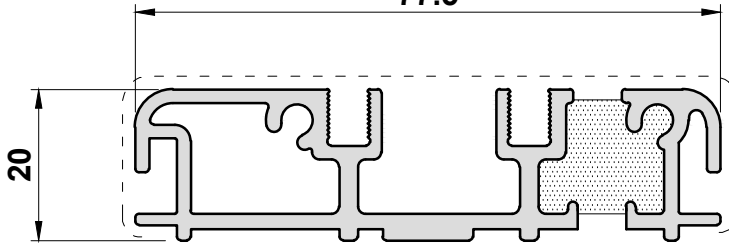
Primary Visible Side

Secondary Visible Side

DV173*

Low Threshold
Open In Only

77.5

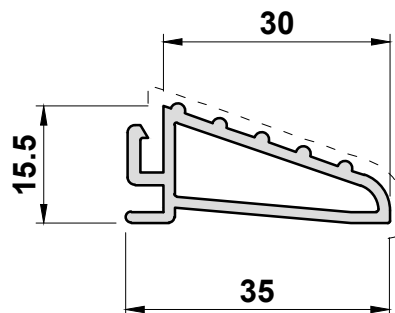


End Cap = ACDV173

***DV173 is non-rebated. Please use rebated threshold where enhanced weather performance is required.**

DV174

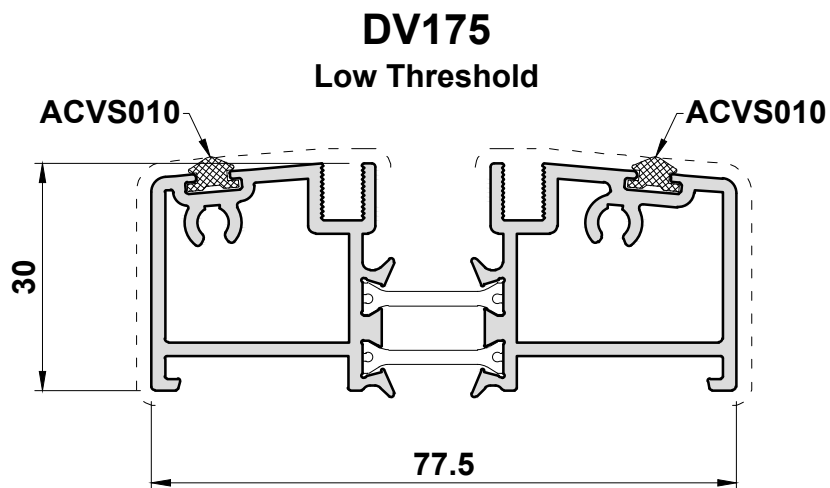
DV173 Threshold Ramp



Scale 1:1

Primary Visible Side

Secondary Visible Side



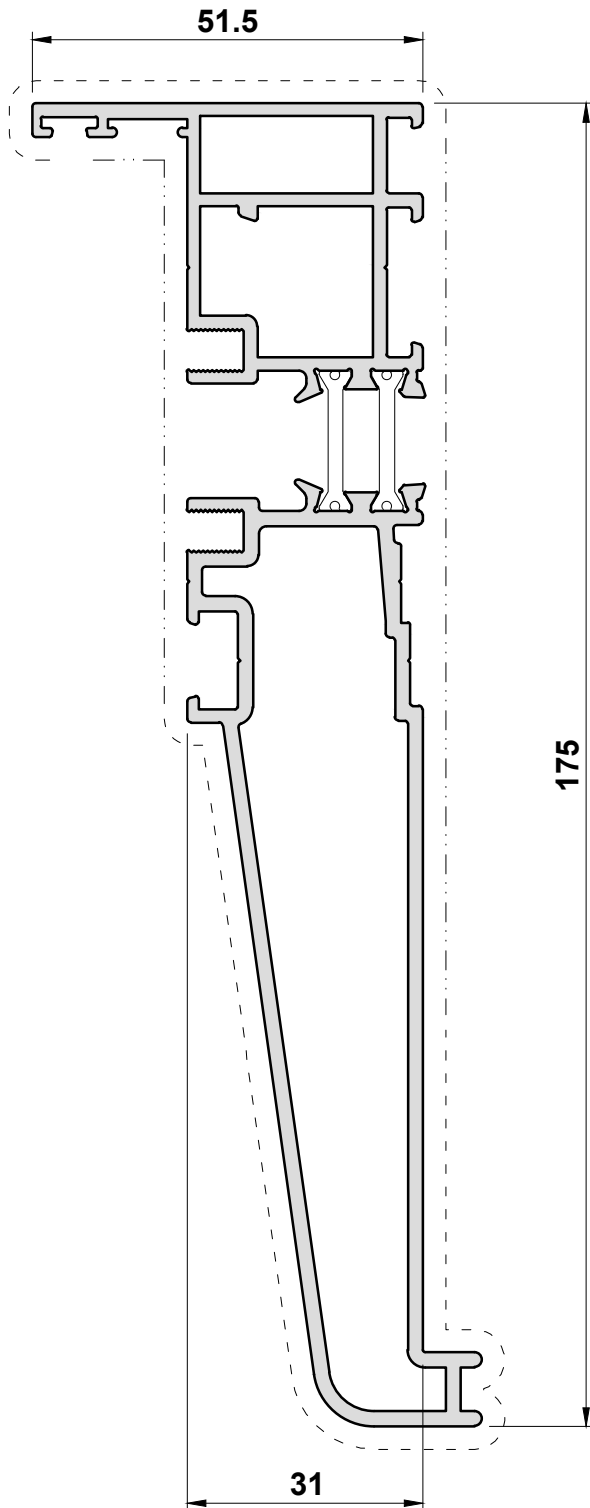
End Cap = ACDV175

***DV175 is non-rebated. Please use rebated threshold where enhanced weather performance is required.**

Scale 1:1

Primary Visible Side

Secondary Visible Side



DV176

Cill Threshold

Use With DV17 ONLY

OPEN OUT ONLY

End Caps = ACDV178

Connecting Brackets:

ACDV179

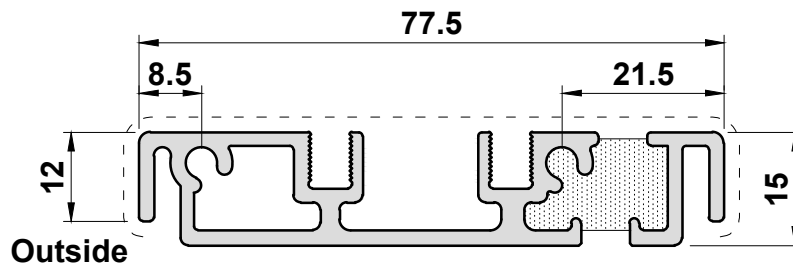
Scale 1:1

Primary Visible Side

Secondary Visible Side

DV271

Low Threshold
Open Out Only

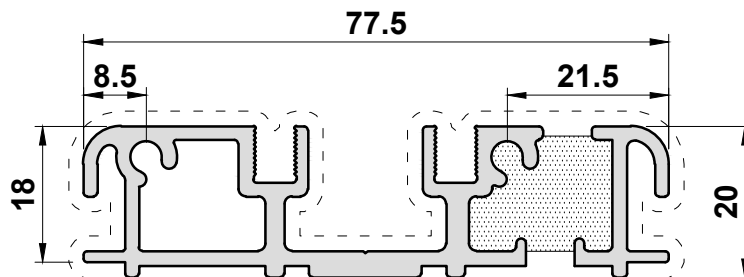


End Cap = ACDV171

***DV271 is non-rebated. Please use rebated threshold where enhanced weather performance is required.**

DV273

Low Threshold
Open Out Only



End Cap = ACDV173

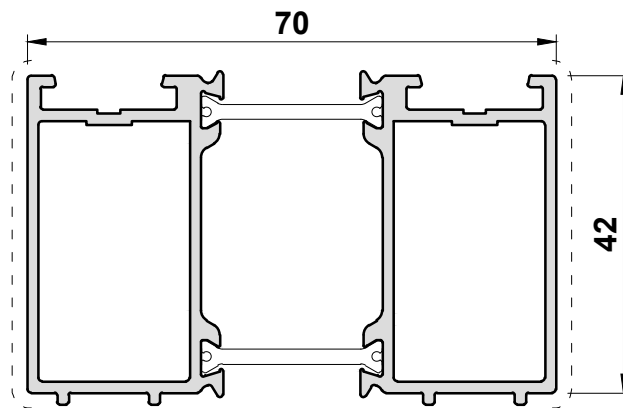
***DV273 is non-rebated. Please use rebated threshold where enhanced weather performance is required.**

Scale 1:1

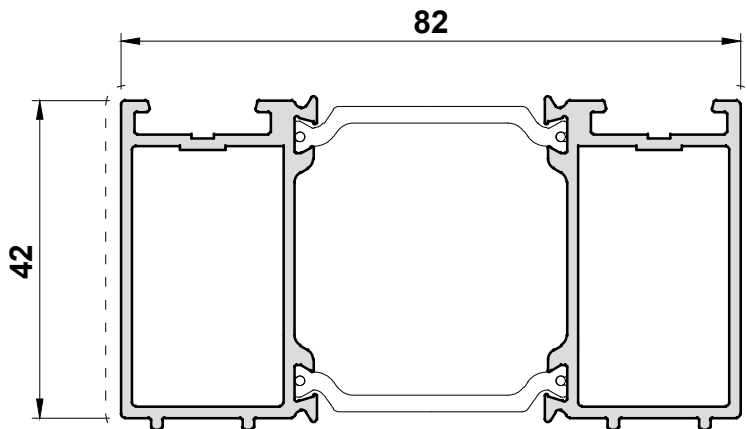
Primary Visible Side

Secondary Visible Side

DV515
Frame Extension



DV516
DV17 Head Extension

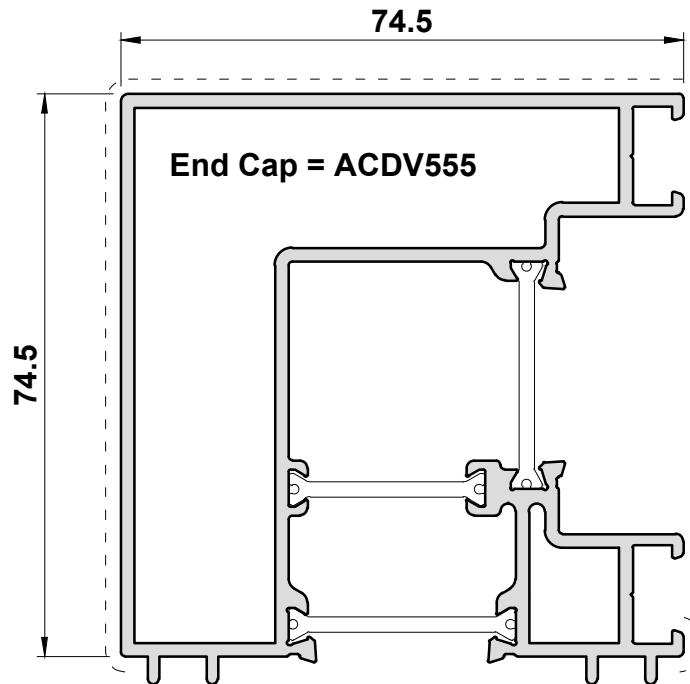


Scale 1:1

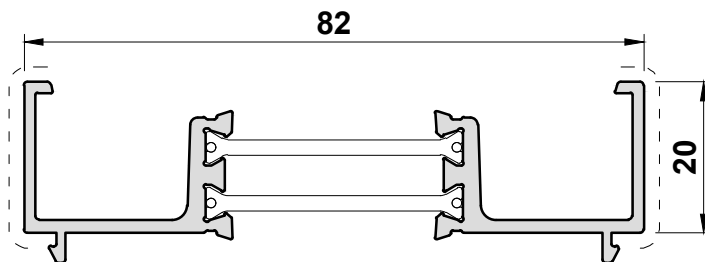
Primary Visible Side

Secondary Visible Side

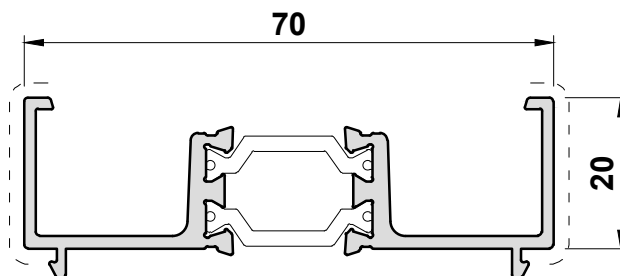
DV555
Floating Corner Post



DV558
Head Extension



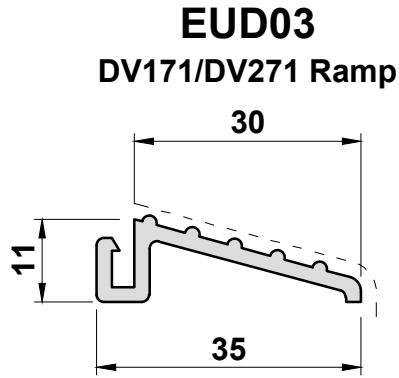
DV559
Frame Extension



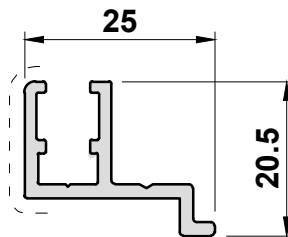
Scale 1:1

Primary Visible Side

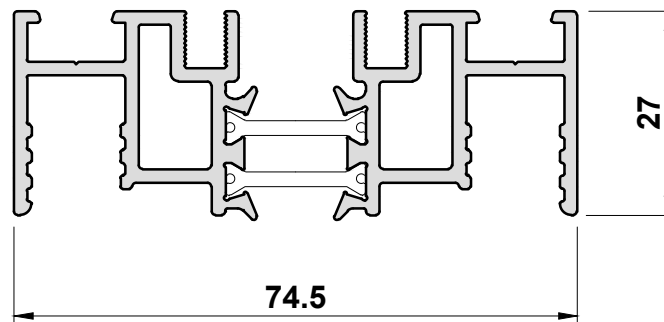
Secondary Visible Side



DV551
Adjustable Jamb Locator



DV552
Adjustable Jamb

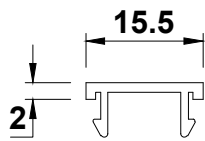


Scale 1:1

Primary Visible Side

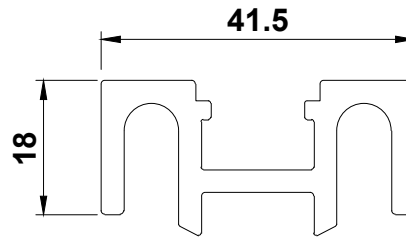
Secondary Visible Side

PCX15
Infill Strip



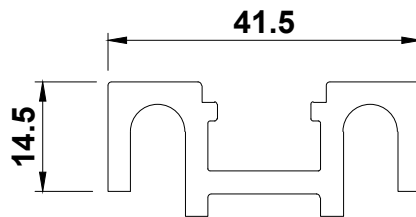
PVC

PCX36
Lock Packer



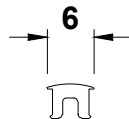
PVC

PCX38
Narrow Lock Packer



PVC

VG52
Track Infill Strip



PVC

VG53
Track



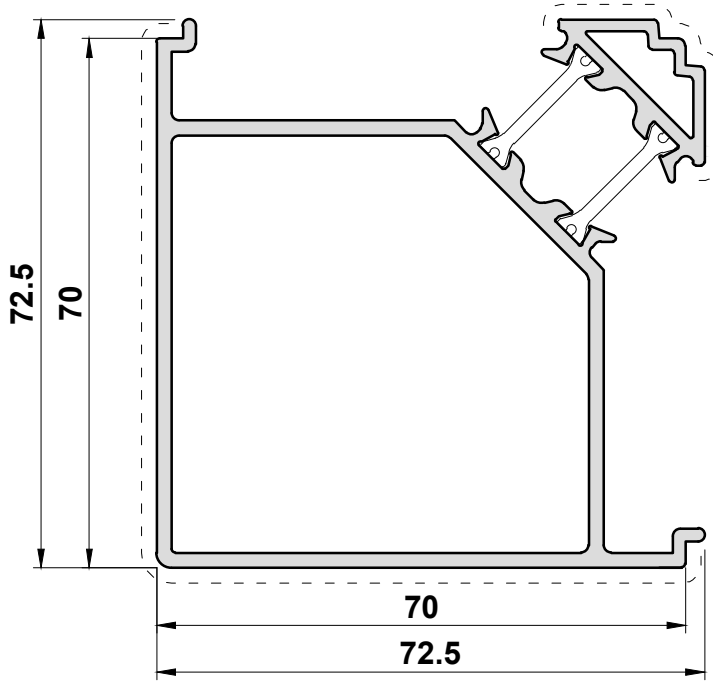
Stainless
Steel

Scale 1:1

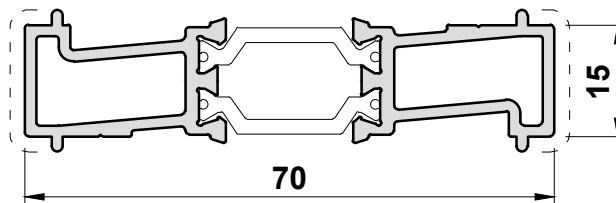
Primary Visible Side

Secondary Visible Side

ETC048
70mm 90° Corner Post



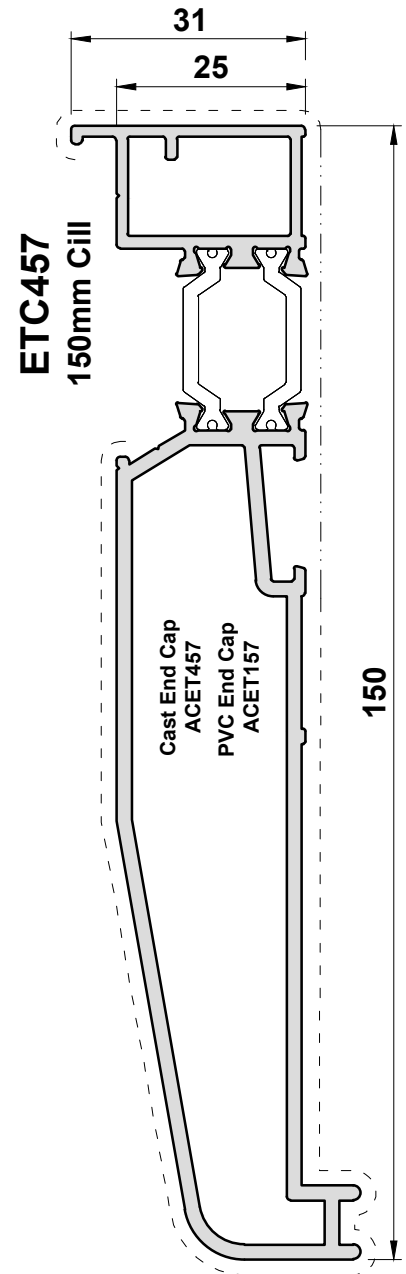
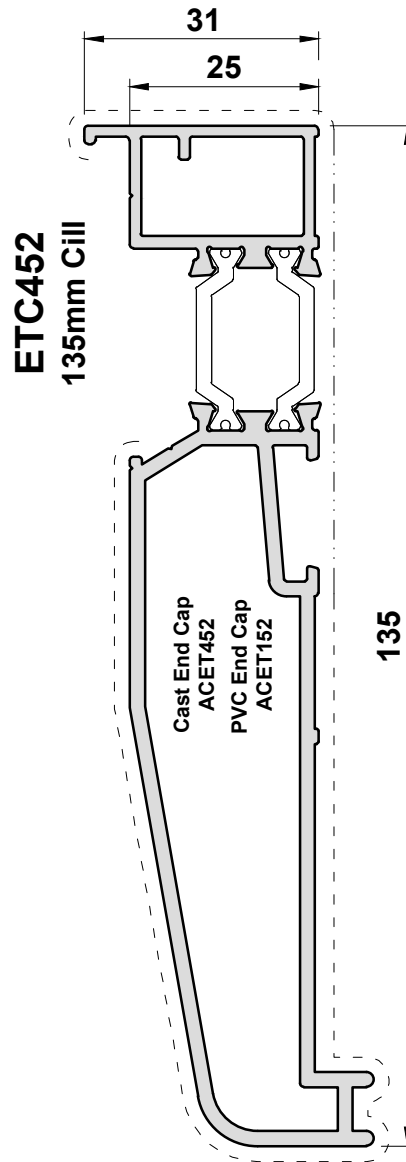
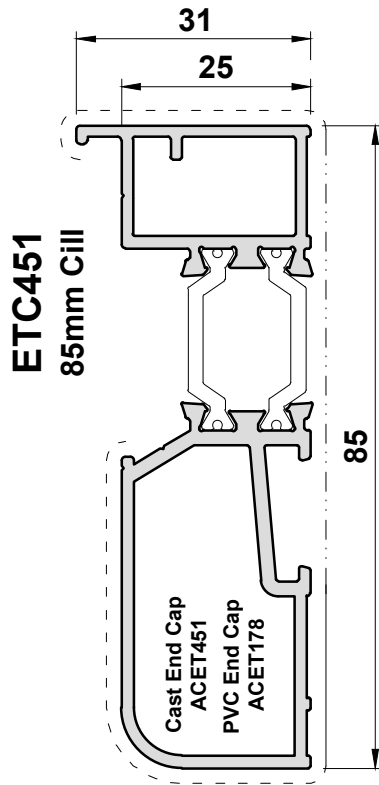
UN3000
Horizontal Coupler



Scale 1:1

Primary Visible Side

Secondary Visible Side

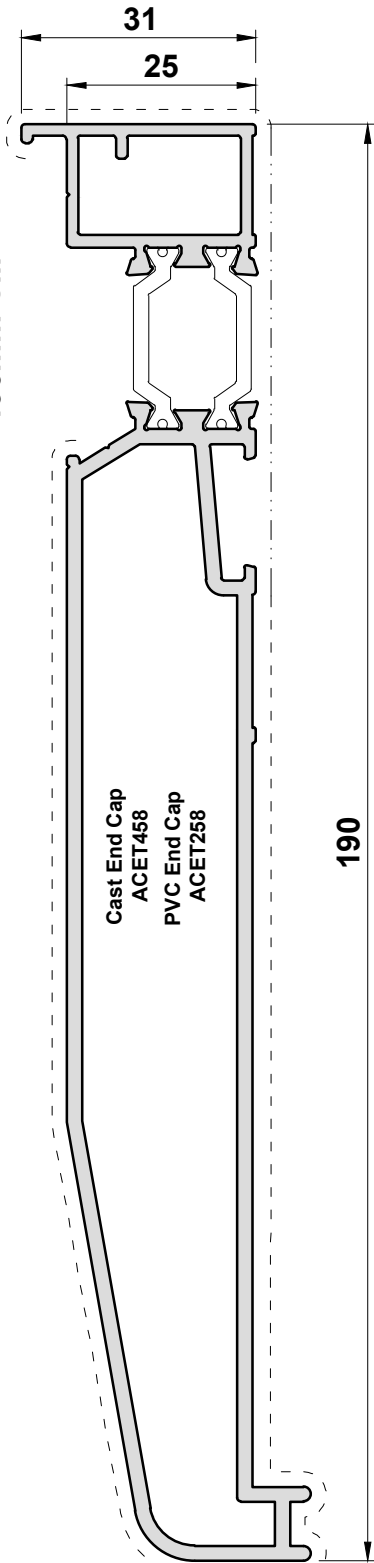


Scale 1:1

Primary Visible Side

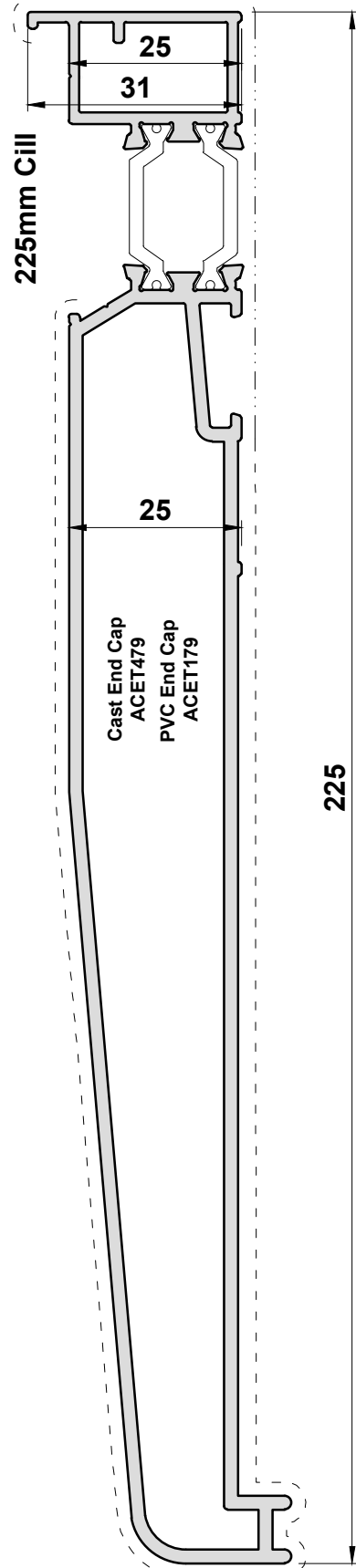
Secondary Visible Side

ETC458
190mm Cill



190

ETC479
225mm Cill

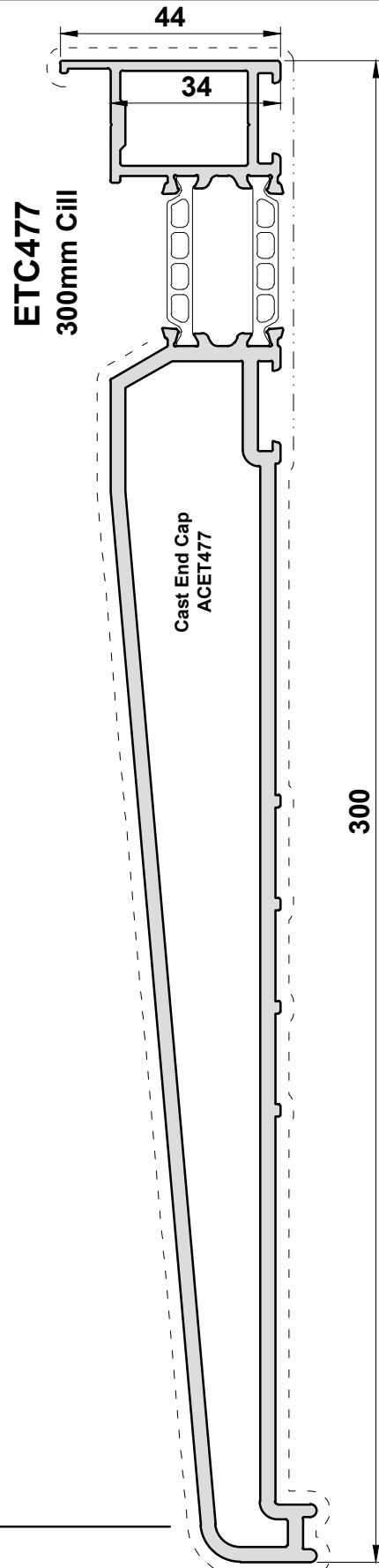


225

Not To Scale

Primary Visible Side

Secondary Visible Side



Scale 1:1

Primary Visible Side

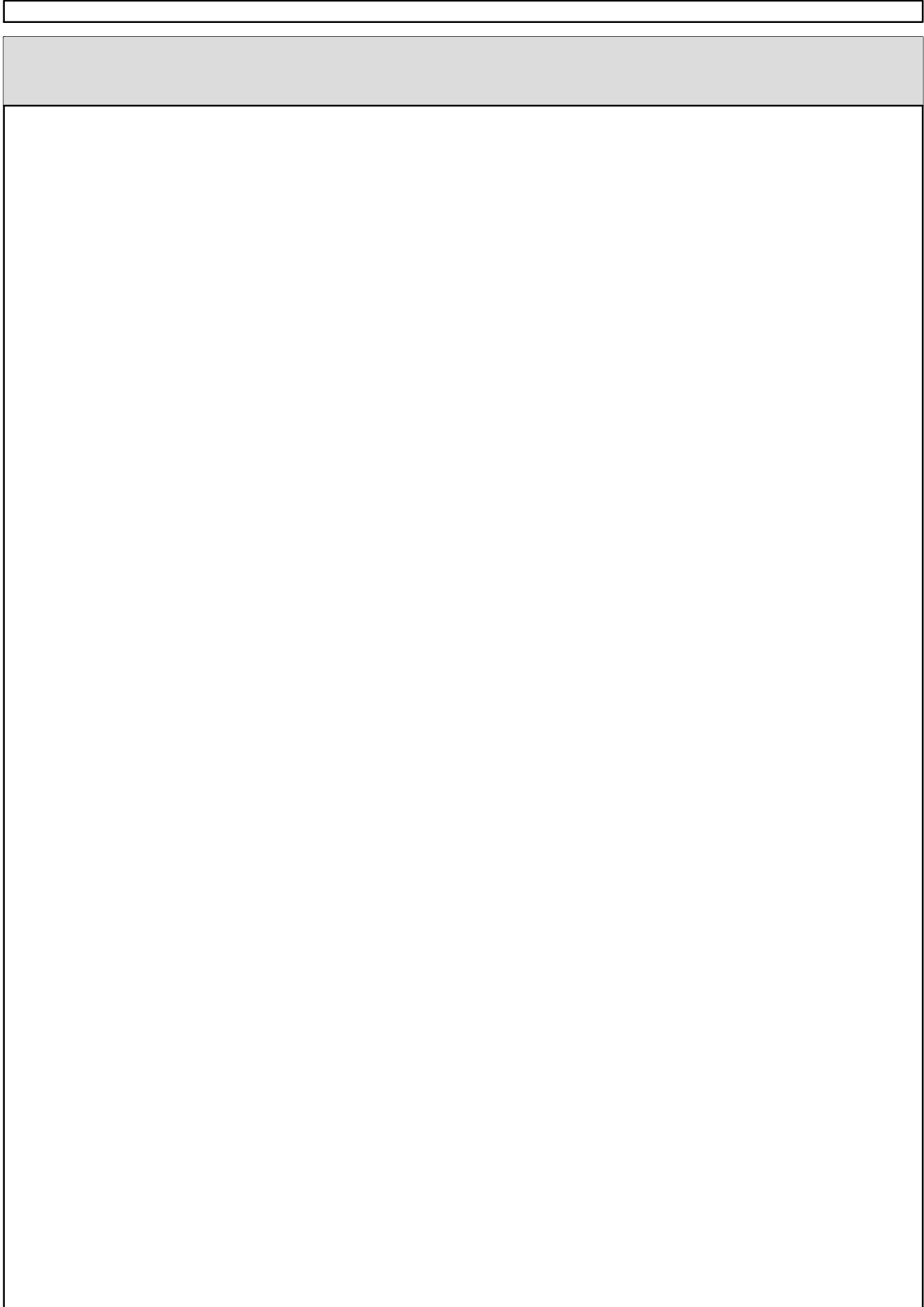
Secondary Visible Side

Scale 1:1

Section B

Accessories

Photos & Drawings



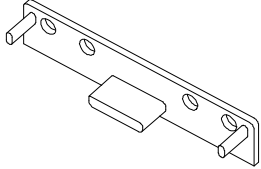
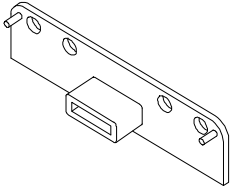
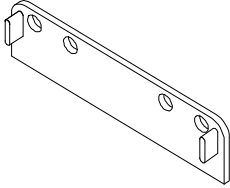
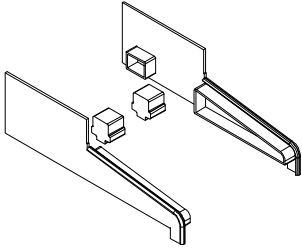
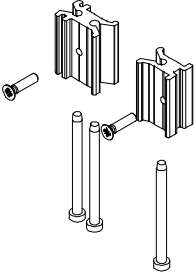


ACCESSORIES : PHOTOS & DRAWINGS

Image	Part Code	Pack	Unit	Application	Colour
	ACCY5050S3 3 Star Security Cylinder Keyed Alike Unavailable	1	each	ACDV251 ACET484 ACET486 ACET487 ACET488	MF
					SA
					KL
					HP
					SSC
					SMC
					W
					Z
					PC
					<p>2 x ACMX853</p>
SA					
KL					
HP					
SSC					
SMC					
W					
Z					
PC					
<p>2 x ACMX853</p>	ACDV19 Mechanical Corner Cleat	24	pack	DV14 DV17	MF
SA					
KL					
HP					
SSC					
SMC					
W					
Z					
PC					
<p>2 x ACMX854</p>					ACDV23 Mechanical Corner Cleat
SA					
KL					
HP					
SSC					
SMC					
W					
Z					
PC					
	ACDV26 Crimping Corner Cleat Pneumatic Crimper Only	24	pack	DV23 DV26 DV28 DV29	
SA					
KL					
HP					
SSC					
SMC					
W					
Z					
PC					
<p>T-BARS ACVG65=2.5mm ACVG66=3.0mm ACVL150=4.0mm</p> <p>Screw (Grub)</p>					MF = Mill Finish SA = Silver Anodised KL = Basic Colour HP = Special Colour SSC = Smooth Satin Chrome SMC = Smokey Chrome PC = Polished Chrome





ACCESSORIES : PHOTOS & DRAWINGS

Image	Part Code	Pack	Unit	Application	Colour PC																		
<p>LEFT HAND RIGHT HAND</p>	<p>ACDV56</p> <p>DV56 End Caps</p>	10	pairs	DV56	<table border="1"> <tr><td>MF</td><td></td></tr> <tr><td>SA</td><td></td></tr> <tr><td>KL</td><td></td></tr> <tr><td>HP</td><td></td></tr> <tr><td>SSC</td><td></td></tr> <tr><td>SMC</td><td></td></tr> <tr><td>W</td><td>✓</td></tr> <tr><td>Z</td><td>✓</td></tr> <tr><td>PC</td><td></td></tr> </table>	MF		SA		KL		HP		SSC		SMC		W	✓	Z	✓	PC	
MF																							
SA																							
KL																							
HP																							
SSC																							
SMC																							
W	✓																						
Z	✓																						
PC																							
<p>LEFT HAND RIGHT HAND</p>	<p>ACDV76</p> <p>DV76 End Caps</p>	10	pairs	DV76	<table border="1"> <tr><td>MF</td><td></td></tr> <tr><td>SA</td><td></td></tr> <tr><td>KL</td><td></td></tr> <tr><td>HP</td><td></td></tr> <tr><td>SSC</td><td></td></tr> <tr><td>SMC</td><td></td></tr> <tr><td>W</td><td>✓</td></tr> <tr><td>Z</td><td>✓</td></tr> <tr><td>PC</td><td></td></tr> </table>	MF		SA		KL		HP		SSC		SMC		W	✓	Z	✓	PC	
MF																							
SA																							
KL																							
HP																							
SSC																							
SMC																							
W	✓																						
Z	✓																						
PC																							
	<p>ACDV080</p> <p>Run Up Block</p>	50	pack	<p>DV14</p> <p>DV23</p> <p>DV26</p> <p>DV28</p> <p>DV29</p>	<table border="1"> <tr><td>MF</td><td></td></tr> <tr><td>SA</td><td></td></tr> <tr><td>KL</td><td></td></tr> <tr><td>HP</td><td></td></tr> <tr><td>SSC</td><td></td></tr> <tr><td>SMC</td><td></td></tr> <tr><td>W</td><td>✓</td></tr> <tr><td>Z</td><td>✓</td></tr> <tr><td>PC</td><td></td></tr> </table>	MF		SA		KL		HP		SSC		SMC		W	✓	Z	✓	PC	
MF																							
SA																							
KL																							
HP																							
SSC																							
SMC																							
W	✓																						
Z	✓																						
PC																							
	<p>ACDV081</p> <p>Anti-lift Security Block</p>	50	pack	<p>DV14</p> <p>DV23</p> <p>DV26</p> <p>DV28</p> <p>DV29</p>	<table border="1"> <tr><td>MF</td><td></td></tr> <tr><td>SA</td><td></td></tr> <tr><td>KL</td><td></td></tr> <tr><td>HP</td><td></td></tr> <tr><td>SSC</td><td></td></tr> <tr><td>SMC</td><td></td></tr> <tr><td>W</td><td>✓</td></tr> <tr><td>Z</td><td>✓</td></tr> <tr><td>PC</td><td></td></tr> </table>	MF		SA		KL		HP		SSC		SMC		W	✓	Z	✓	PC	
MF																							
SA																							
KL																							
HP																							
SSC																							
SMC																							
W	✓																						
Z	✓																						
PC																							
	<p>ACDV157</p> <p>Bridge Packer</p>	12	pack	<p>DV23</p> <p>DV26</p> <p>DV28</p> <p>DV29</p>	<table border="1"> <tr><td>MF</td><td></td></tr> <tr><td>SA</td><td></td></tr> <tr><td>KL</td><td></td></tr> <tr><td>HP</td><td></td></tr> <tr><td>SSC</td><td></td></tr> <tr><td>SMC</td><td></td></tr> <tr><td>W</td><td></td></tr> <tr><td>Z</td><td>✓</td></tr> <tr><td>PC</td><td></td></tr> </table>	MF		SA		KL		HP		SSC		SMC		W		Z	✓	PC	
MF																							
SA																							
KL																							
HP																							
SSC																							
SMC																							
W																							
Z	✓																						
PC																							
<p>T-BARS ACVG65=2.5mm ACVG66=3.0mm ACVL150=4.0mm</p> <p>Screw (Grub)</p>	<p>MF = Mill Finish</p> <p>SA = Silver Anodised</p> <p>KL = Basic Colour</p> <p>HP = Special Colour</p> <p>SSC = Smooth Satin Chrome</p> <p>SMC = Smokey Chrome</p> <p>PC = Polished Chrome</p>	<p>W = White</p> <p>Z = Black</p>																					



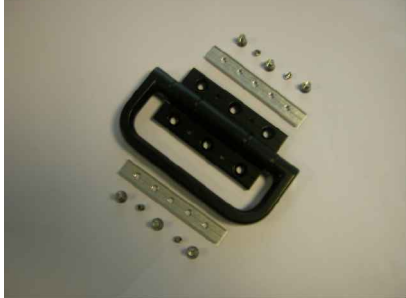
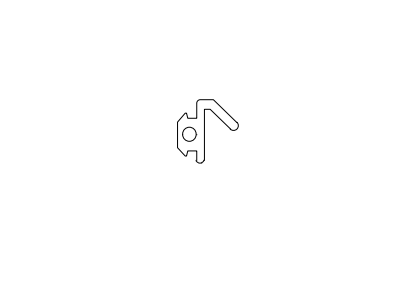

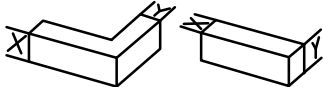
ACCESSORIES : PHOTOS & DRAWINGS

Image	Part Code	Pack	Unit	Application	Colour	
	ACDV171 Threshold End Cap (2mm Thick)	10	pack	DV171	MF	
					SA	
					KL	
					HP	
					SSC	
					SMC	
					W	
					Z	✓
					PC	
						ACDV173 Threshold End Cap (2mm Thick)
SA						
KL						
HP						
SSC						
SMC						
W						
Z	✓					
PC						
	ACDV175 Threshold End Cap (2mm Thick)	10	pack	DV175		
					SA	
					KL	
					HP	
					SSC	
					SMC	
					W	
					Z	✓
					PC	
						ACDV178 Threshold End Cap (2mm Thick)
SA						
KL						
HP						
SSC						
SMC						
W	✓					
Z	✓					
PC						
	ACDV179 Connecting Bracket	1	set	DV17 DV176		
					SA	
					KL	
					HP	
					SSC	
					SMC	
					W	
					Z	
					PC	
					 <small>T-BARS ACVG65=2.5mm ACVG66=3.0mm ACVL150=4.0mm</small>  <small>Screw (Grub)</small>	MF = Mill Finish SA = Silver Anodised KL = Basic Colour HP = Special Colour SSC = Smooth Satin Chrome SMC = Smokey Chrome PC = Polished Chrome

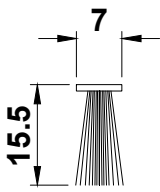

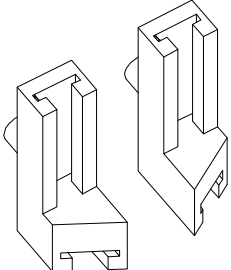
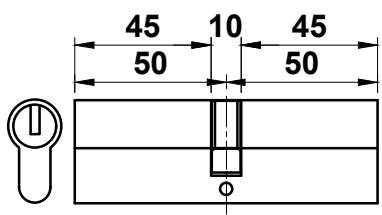




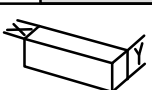
ACCESSORIES : PHOTOS & DRAWINGS

Image	Part Code	Pack	Unit	Application	Colour
	ACDV225 Shootbolt Operating Handle with Escutcheon	1	each	ACDV227 DV23 DV26 DV28 DV29 ACMX1604	MF SA KL ✓ HP ✓ SSC SMC W ✓ Z ✓ PC ✓
	ACDV226 Shootbolt Operating Handle For Use Without Cylinder	1	each	ACDV227 DV23 DV26 DV28 DV29	MF SA KL ✓ HP ✓ SSC SMC W ✓ Z ✓ PC ✓
	ACDV227 Shootbolt Gearbox	1	each	ACDV225 ACDV226 ACDV328 ACDV229 ACDV230 DV23 DV26 DV28 DV29	MF SA KL HP SSC SMC W ✓ Z ✓ PC
	ACDV229 Shootbolt Guides (For DV28/DV29 use ACDV299 shootbolt guides)	1	pair	ACDV225 ACDV226 ACDV227 ACDV328 ACDV230 DV23 DV26	MF SA KL HP SSC SMC W Z ✓ PC
	ACDV230 Gear Box Cover Plate	1	each	ACDV225 ACDV226 ACDV227 ACDV328 ACDV229 DV23 DV26 DV28 DV29	MF SA KL HP SSC SMC W Z ✓ PC
	<p>T-BARS ACVG65=2.5mm ACVG66=3.0mm ACVL150=4.0mm</p> <p>Screw (Grub)</p>	<p>MF = Mill Finish SA = Silver Anodised KL = Basic Colour HP = Special Colour SSC = Smooth Satin Chrome SMC = Smokey Chrome PC = Polished Chrome</p>	<p>W = White Z = Black</p>		




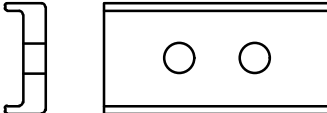
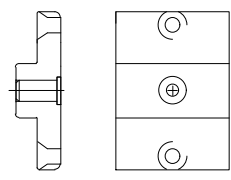


ACCESSORIES : PHOTOS & DRAWINGS

Image	Part Code	Pack	Unit	Application	Colour																		
	ACDV232 Bottom Roller Carrier Includes Hinges	1	each	DV23 DV26 DV28 DV29	<table border="1"> <tr><td>MF</td><td></td></tr> <tr><td>SA</td><td></td></tr> <tr><td>KL</td><td>✓</td></tr> <tr><td>HP</td><td>✓</td></tr> <tr><td>SSC</td><td></td></tr> <tr><td>SMC</td><td></td></tr> <tr><td>W</td><td>✓</td></tr> <tr><td>Z</td><td>✓</td></tr> <tr><td>PC</td><td></td></tr> </table>	MF		SA		KL	✓	HP	✓	SSC		SMC		W	✓	Z	✓	PC	
MF																							
SA																							
KL	✓																						
HP	✓																						
SSC																							
SMC																							
W	✓																						
Z	✓																						
PC																							
	ACDV233 Top Guide Carrier Includes Hinges	1	each	DV23 DV26 DV28 DV29	<table border="1"> <tr><td>MF</td><td></td></tr> <tr><td>SA</td><td></td></tr> <tr><td>KL</td><td>✓</td></tr> <tr><td>HP</td><td>✓</td></tr> <tr><td>SSC</td><td></td></tr> <tr><td>SMC</td><td></td></tr> <tr><td>W</td><td>✓</td></tr> <tr><td>Z</td><td>✓</td></tr> <tr><td>PC</td><td></td></tr> </table>	MF		SA		KL	✓	HP	✓	SSC		SMC		W	✓	Z	✓	PC	
MF																							
SA																							
KL	✓																						
HP	✓																						
SSC																							
SMC																							
W	✓																						
Z	✓																						
PC																							
	ACDV234 D Handle Hinge Assembly Note: The chrome version of ACDV234 has a black hinge & chrome 'D'	1	each	DV23 DV26 DV28 DV29 DV32	<table border="1"> <tr><td>MF</td><td></td></tr> <tr><td>SA</td><td></td></tr> <tr><td>KL</td><td>✓</td></tr> <tr><td>HP</td><td>✓</td></tr> <tr><td>SSC</td><td></td></tr> <tr><td>SMC</td><td></td></tr> <tr><td>W</td><td>✓</td></tr> <tr><td>Z</td><td>✓</td></tr> <tr><td>PC</td><td>✓</td></tr> </table>	MF		SA		KL	✓	HP	✓	SSC		SMC		W	✓	Z	✓	PC	✓
MF																							
SA																							
KL	✓																						
HP	✓																						
SSC																							
SMC																							
W	✓																						
Z	✓																						
PC	✓																						
	ACDV241 Fixing Plate	50	pack	DV23 DV26 DV28 DV29 DV32	<table border="1"> <tr><td>MF</td><td></td></tr> <tr><td>SA</td><td></td></tr> <tr><td>KL</td><td></td></tr> <tr><td>HP</td><td></td></tr> <tr><td>SSC</td><td></td></tr> <tr><td>SMC</td><td></td></tr> <tr><td>W</td><td></td></tr> <tr><td>Z</td><td>✓</td></tr> <tr><td>PC</td><td></td></tr> </table>	MF		SA		KL		HP		SSC		SMC		W		Z	✓	PC	
MF																							
SA																							
KL																							
HP																							
SSC																							
SMC																							
W																							
Z	✓																						
PC																							
	ACDV244 Flipper Gasket	100	m	DV14	<table border="1"> <tr><td>MF</td><td></td></tr> <tr><td>SA</td><td></td></tr> <tr><td>KL</td><td></td></tr> <tr><td>HP</td><td></td></tr> <tr><td>SSC</td><td></td></tr> <tr><td>SMC</td><td></td></tr> <tr><td>W</td><td></td></tr> <tr><td>Z</td><td>✓</td></tr> <tr><td>PC</td><td></td></tr> </table>	MF		SA		KL		HP		SSC		SMC		W		Z	✓	PC	
MF																							
SA																							
KL																							
HP																							
SSC																							
SMC																							
W																							
Z	✓																						
PC																							
 <p>T-BARS ACVG65=2.5mm ACVG66=3.0mm ACVL150=4.0mm</p>  <p>Screw (Grub)</p>	<p>MF = Mill Finish SA = Silver Anodised KL = Basic Colour HP = Special Colour SSC = Smooth Satin Chrome SMC = Smokey Chrome PC = Polished Chrome</p>	<p>W = White Z = Black</p>																					



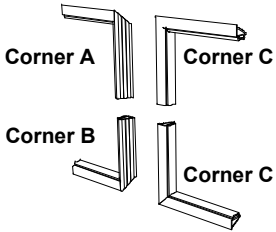


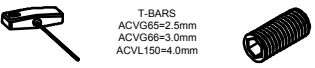
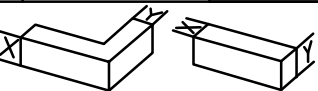
ACCESSORIES : PHOTOS & DRAWINGS

Image	Part Code	Pack	Unit	Application	Colour
	ACDV249 Brush Pile	250	m	ACDV249 DV171 DV173	MF SA KL HP SSC SMC W Z ✓ PC
	ACDV251 Lever/Lever Handles	1	pair	DV23 DV26 DV28 DV29 ACDV722 ACDV723	MF SA KL ✓ HP ✓ SSC SMC W ✓ Z ✓ PC ✓
	ACDV254 End Caps For Low Threshold	10	pairs	DV171 DV173	MF SA KL HP SSC SMC W Z ✓ PC
	ACDV258 50/50 Euro Cylinder For Keyed Alike Order ACDV258 SL	1	each	DV23 DV26 DV28 DV29 ACDV722 ACDV723	MF SA KL HP SSC SMC W Z PC
	ACDV262 M4 x 50 CSK S/S Screw	100	each	ACDV722 ACDV723	MF SA KL HP SSC SMC W Z PC
 <p>T-BARS ACVG65=2.5mm ACVG66=3.0mm ACVL150=4.0mm</p>  <p>Screw (Grub)</p>	<p>MF = Mill Finish SA = Silver Anodised KL = Basic Colour HP = Special Colour SSC = Smooth Satin Chrome SMC = Smokey Chrome PC = Polished Chrome</p>	<p>W = White Z = Black</p>	 		

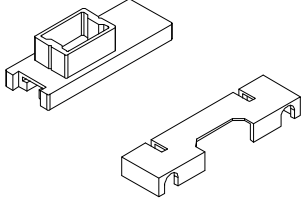
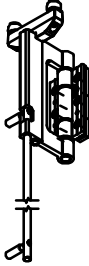
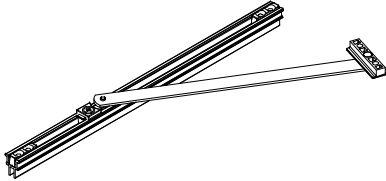
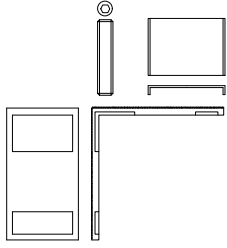
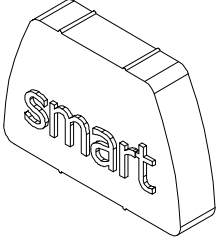


ACCESSORIES : PHOTOS & DRAWINGS

Image	Part Code	Pack	Unit	Application	Colour	
	ACDV264 M4 x 35 CSK S/S Screw	100	each	ACDV722 ACDV723	MF	
					SA	
					KL	
					HP	
					SSC	
					SMC	
					W	
					Z	
					PC	
						ACDV265 M4 x 60 CSK S/S Screw
SA						
KL						
HP						
SSC						
SMC						
W						
Z	✓					
PC						
	ACDV268 Bubble Gasket with Arrow Head for Greater Compression. Note: ACDV268 is NOT recommended where DV32/38 is required due to increased friction.	1	each	DV14 DV17		
					SA	
					KL	
					HP	
					SSC	
					SMC	
					W	
					Z	✓
					PC	
						ACDV270 Fixing Plate for Keeps in PCX36 to take M4 Fixing
SA						
KL						
HP						
SSC						
SMC						
W						
Z						
PC						
	ACDV271 Packer for PCX36	50	pack	PCX36 ACDV722 ACDV723		
					SA	
					KL	
					HP	
					SSC	
					SMC	
					W	
					Z	
					PC	
					 <small>T-BARS ACVG66=2.5mm ACVG66=3.0mm ACVL150=4.0mm</small>	 <small>Screw (Grub)</small>



ACCESSORIES : PHOTOS & DRAWINGS

Image	Part Code	Pack	Unit	Application	Colour
	ACDV272 Sealing Gasket	100	m	DV32 ACDV283 ACDV284 ACDV381	MF SA KL HP SSC SMC W Z ✓ PC
	ACDV274 D Handle Hinge Assembly Note: The chrome version of ACDV234 has a black hinge & chrome 'D' For Open In Doors Black, White & Chrome	1	each	DV23 DV26 DV28 DV29	MF SA KL ✓ HP ✓ SSC SMC W ✓ Z ✓ PC ✓
	ACDV275 Corner Gaskets to Join ACDV272 Around Sash 1 Set = 1 Sash To Order An Individual Corner Type, Specify Letter After Code: ACDV275/B	10	sets	DV23 DV26 DV28 DV29 ACDV272	MF SA KL HP SSC SMC W Z ✓ PC
	ACDV276 Oversize Version of ACDV272 Only to be used when necessary	100	m	DV23 DV26 DV28 DV29 ACDV272	MF SA KL HP SSC SMC W Z ✓ PC
	ACDV278 Channel Infill Gasket	250	m	DV14 DV17 DV176	MF SA KL HP SSC SMC W Z PC
	MF = Mill Finish SA = Silver Anodised KL = Basic Colour HP = Special Colour SSC = Smooth Satin Chrome SMC = Smokey Chrome PC = Polished Chrome	W = White Z = Black			

ACCESSORIES : PHOTOS & DRAWINGS

Image	Part Code	Pack	Unit	Application	Colour	
	ACDV282 Woolpile Carrier & Isolator Kit Kit contains: 20 Woolpile Carriers 10 Isolators	10	pack	DV32 DV38 ACDV380 ACDV381	MF	
					SA	
					KL	
					HP	
					SSC	
					SMC	
					W	
					Z	✓
					PC	
						ACDV285 Top Guide with Shootbolt (Not compatible with DV28 & DV29)
SA						
KL	✓					
HP	✓					
SSC						
SMC						
W	✓					
Z	✓					
PC						
	ACDV291N 90° Restrictor for Single or Double Swing Doors	1	each	DV14 DV17 DV23 DV26 DV28 DV29		
					SA	
					KL	
					HP	
					SSC	
					SMC	
					W	
					Z	
					PC	
						ACDV295 Glass Adjustor Kit
SA						
KL						
HP						
SSC						
SMC						
W						
Z						
PC						
	ACDV296 Replacement Screw Cover Caps for ACDV225 & ACDV226	1	each	ACDV225 ACDV226		
					SA	
					KL	
					HP	
					SSC	
					SMC	
					W	
					Z	✓
					PC	
					 <small>T-BARS ACVG65=2.5mm ACVG66=3.0mm ACVL150=4.0mm</small>	 <small>Screw (Grub)</small>

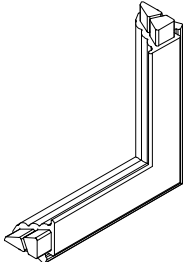
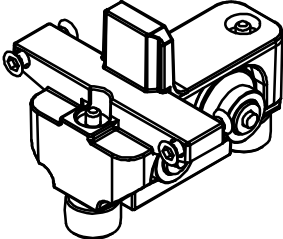
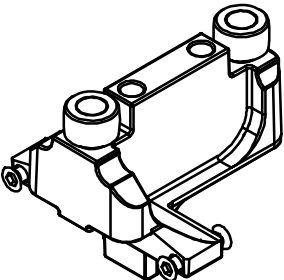
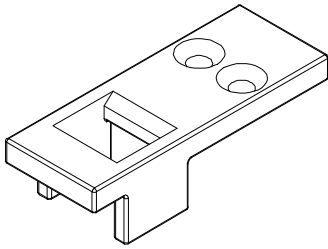


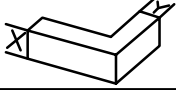

ACCESSORIES : PHOTOS & DRAWINGS

Image	Part Code	Pack	Unit	Application	Colour
	ACDV297 Gearbox with Cylinder Below Spindle	1	each	ACDV298	MF SA KL HP SSC SMC W Z PC
	ACDV298 Gearbox Cover	1	each	ACDV297	MF SA KL HP SSC SMC W Z ✓ PC
	ACDV299 Shootbolt Guide	1	each	DV28 DV29	MF SA KL HP SSC SMC W Z ✓ PC
	ACDV305 Magnetic Door Holder Use Screws ACET060 & MUA025	1	each	DV23 DV26 DV28 DV29	MF ✓ SA KL ✓ HP ✓ SSC SMC W ✓ Z ✓ PC
	ACDV308 Magnetic Door Holder Use Screws ACET060 & MUA025	1	each	DV23 DV26 DV28 DV29	MF SA KL HP SSC SMC W Z PC ✓
	<p>T-BARS ACVG65=2.5mm ACVG66=3.0mm ACVL150=4.0mm</p> <p>Screw (Grub)</p>				
	<p>MF = Mill Finish SA = Silver Anodised KL = Basic Colour HP = Special Colour SSC = Smooth Satin Chrome SMC = Smokey Chrome PC = Polished Chrome</p>				
					<p>W = White Z = Black</p> 

ACCESSORIES : PHOTOS & DRAWINGS

Image	Part Code	Pack	Unit	Application	Colour
	ACDV309 Small Magnetic Door Holder. To be used where there is no external handle. Use Screws ACET060 & MUA025	1	each	DV23 DV26 DV28 DV29	MF SA KL HP SSC SMC W Z PC ✓
	ACDV328 Nylon Coated Stainless Steel Shootbolt Locking Rods - Length 1300mm	1	each	ACDV225 ACDV226 ACDV227 ACDV229 ACDV230 DV23 DV26 DV28 DV29	MF SA KL HP SSC SMC W Z PC
	ACDV331 Intermediate Hinge	1	each	DV14 DV23 DV26 DV28 DV29 DV32	MF SA KL ✓ HP ✓ SSC SMC W ✓ Z ✓ PC
	ACDV332 Retained Bottom Roller	1	each	DV23 DV26 DV28 DV29	MF SA KL ✓ HP ✓ SSC SMC W ✓ Z ✓ PC
	ACDV333 Retained Top Guide	1	each	DV23 DV26 DV28 DV29	MF SA KL ✓ HP ✓ SSC SMC W ✓ Z ✓ PC
	<p>T-BARS ACVG65=2.5mm ACVG66=3.0mm ACVL150=4.0mm</p> <p>Screw (Grub)</p>				
	<p>MF = Mill Finish SA = Silver Anodised KL = Basic Colour HP = Special Colour SSC = Smooth Satin Chrome SMC = Smokey Chrome PC = Polished Chrome</p>				<p>W = White Z = Black</p> 

ACCESSORIES : PHOTOS & DRAWINGS

Image	Part Code	Pack	Unit	Application	Colour																		
	ACDV375 Corner Gasket for Outer Frame	20	pack		<table border="1"> <tr><td>MF</td><td></td></tr> <tr><td>SA</td><td></td></tr> <tr><td>KL</td><td></td></tr> <tr><td>HP</td><td></td></tr> <tr><td>SSC</td><td></td></tr> <tr><td>SMC</td><td></td></tr> <tr><td>W</td><td></td></tr> <tr><td>Z</td><td>✓</td></tr> <tr><td>PC</td><td></td></tr> </table>	MF		SA		KL		HP		SSC		SMC		W		Z	✓	PC	
MF																							
SA																							
KL																							
HP																							
SSC																							
SMC																							
W																							
Z	✓																						
PC																							
	ACDV380 High Security Mullion Bottom Roller	1	each	DV32 DV38 ACDV381 ACDV282	<table border="1"> <tr><td>MF</td><td></td></tr> <tr><td>SA</td><td></td></tr> <tr><td>KL</td><td></td></tr> <tr><td>HP</td><td></td></tr> <tr><td>SSC</td><td></td></tr> <tr><td>SMC</td><td></td></tr> <tr><td>W</td><td></td></tr> <tr><td>Z</td><td>✓</td></tr> <tr><td>PC</td><td></td></tr> </table>	MF		SA		KL		HP		SSC		SMC		W		Z	✓	PC	
MF																							
SA																							
KL																							
HP																							
SSC																							
SMC																							
W																							
Z	✓																						
PC																							
	ACDV381 High Security Mullion Top Guide	1	each	DV32 DV38 ACDV380 ACDV282	<table border="1"> <tr><td>MF</td><td></td></tr> <tr><td>SA</td><td></td></tr> <tr><td>KL</td><td></td></tr> <tr><td>HP</td><td></td></tr> <tr><td>SSC</td><td></td></tr> <tr><td>SMC</td><td></td></tr> <tr><td>W</td><td></td></tr> <tr><td>Z</td><td>✓</td></tr> <tr><td>PC</td><td></td></tr> </table>	MF		SA		KL		HP		SSC		SMC		W		Z	✓	PC	
MF																							
SA																							
KL																							
HP																							
SSC																							
SMC																							
W																							
Z	✓																						
PC																							
	ACDV396 Shootbolt Keep for Single Door	1	each	DV14 DV17 DV176	<table border="1"> <tr><td>MF</td><td></td></tr> <tr><td>SA</td><td></td></tr> <tr><td>KL</td><td></td></tr> <tr><td>HP</td><td></td></tr> <tr><td>SSC</td><td></td></tr> <tr><td>SMC</td><td></td></tr> <tr><td>W</td><td></td></tr> <tr><td>Z</td><td></td></tr> <tr><td>PC</td><td></td></tr> </table>	MF		SA		KL		HP		SSC		SMC		W		Z		PC	
MF																							
SA																							
KL																							
HP																							
SSC																							
SMC																							
W																							
Z																							
PC																							
					<table border="1"> <tr><td>MF</td><td></td></tr> <tr><td>SA</td><td></td></tr> <tr><td>KL</td><td></td></tr> <tr><td>HP</td><td></td></tr> <tr><td>SSC</td><td></td></tr> <tr><td>SMC</td><td></td></tr> <tr><td>W</td><td></td></tr> <tr><td>Z</td><td></td></tr> <tr><td>PC</td><td></td></tr> </table>	MF		SA		KL		HP		SSC		SMC		W		Z		PC	
MF																							
SA																							
KL																							
HP																							
SSC																							
SMC																							
W																							
Z																							
PC																							
 <p>T-BARS ACVG65=2.5mm ACVG66=3.0mm ACVL150=4.0mm</p>  <p>Screw (Grub)</p>	<p>MF = Mill Finish SA = Silver Anodised KL = Basic Colour HP = Special Colour SSC = Smooth Satin Chrome SMC = Smokey Chrome PC = Polished Chrome</p>	<p>W = White Z = Black</p>	 																				

ACCESSORIES : PHOTOS & DRAWINGS

Image	Part Code	Pack	Unit	Application	Colour																		
	ACDV501 L/R Locking Handle with Escutcheon	1	each	ACDV297 DV28 DV29	<table border="1"> <tr><td>MF</td><td></td></tr> <tr><td>SA</td><td></td></tr> <tr><td>KL</td><td>✓</td></tr> <tr><td>HP</td><td>✓</td></tr> <tr><td>SSC</td><td></td></tr> <tr><td>SMC</td><td></td></tr> <tr><td>W</td><td>✓</td></tr> <tr><td>Z</td><td>✓</td></tr> <tr><td>PC</td><td></td></tr> </table>	MF		SA		KL	✓	HP	✓	SSC		SMC		W	✓	Z	✓	PC	
MF																							
SA																							
KL	✓																						
HP	✓																						
SSC																							
SMC																							
W	✓																						
Z	✓																						
PC																							
	ACDV502 L/R Non-Locking Handle	1	each	ACDV297 DV28 DV29	<table border="1"> <tr><td>MF</td><td></td></tr> <tr><td>SA</td><td></td></tr> <tr><td>KL</td><td>✓</td></tr> <tr><td>HP</td><td>✓</td></tr> <tr><td>SSC</td><td></td></tr> <tr><td>SMC</td><td></td></tr> <tr><td>W</td><td>✓</td></tr> <tr><td>Z</td><td>✓</td></tr> <tr><td>PC</td><td></td></tr> </table>	MF		SA		KL	✓	HP	✓	SSC		SMC		W	✓	Z	✓	PC	
MF																							
SA																							
KL	✓																						
HP	✓																						
SSC																							
SMC																							
W	✓																						
Z	✓																						
PC																							
	ACDV523 M4 Fixing Plate	50	pack	DV14 ACDV722 ACDV723 ACSG071	<table border="1"> <tr><td>MF</td><td></td></tr> <tr><td>SA</td><td></td></tr> <tr><td>KL</td><td></td></tr> <tr><td>HP</td><td></td></tr> <tr><td>SSC</td><td></td></tr> <tr><td>SMC</td><td></td></tr> <tr><td>W</td><td></td></tr> <tr><td>Z</td><td></td></tr> <tr><td>PC</td><td></td></tr> </table>	MF		SA		KL		HP		SSC		SMC		W		Z		PC	
MF																							
SA																							
KL																							
HP																							
SSC																							
SMC																							
W																							
Z																							
PC																							
	ACDV524 Non-Locking Flat Shootbolt Handle Colour Options: ACDV524 = Powder coated ACDV524A = Chrome baseplate with powder coated lever ACDV524B = Powder coated baseplate with chrome lever	1	each	ACDV297 ACDV545 DV28 DV29	<table border="1"> <tr><td>MF</td><td></td></tr> <tr><td>SA</td><td></td></tr> <tr><td>KL</td><td>✓</td></tr> <tr><td>HP</td><td>✓</td></tr> <tr><td>SSC</td><td></td></tr> <tr><td>SMC</td><td></td></tr> <tr><td>W</td><td>✓</td></tr> <tr><td>Z</td><td>✓</td></tr> <tr><td>PC</td><td>✓</td></tr> </table>	MF		SA		KL	✓	HP	✓	SSC		SMC		W	✓	Z	✓	PC	✓
MF																							
SA																							
KL	✓																						
HP	✓																						
SSC																							
SMC																							
W	✓																						
Z	✓																						
PC	✓																						
 <p>T-BARS ACVG65=2.5mm ACVG66=3.0mm ACVL150=4.0mm</p>  <p>Screw (Grub)</p>	<p>MF = Mill Finish SA = Silver Anodised KL = Basic Colour HP = Special Colour SSC = Smooth Satin Chrome SMC = Smokey Chrome PC = Polished Chrome</p>	<p>W = White Z = Black</p>																					

ACCESSORIES : PHOTOS & DRAWINGS

Image	Part Code	Pack	Unit	Application	Colour
	<p>ACDV525</p> <p>Locking Flat Shootbolt Handle</p> <p>Colour Options: ACDV525 = Powder coated</p> <p>ACDV525A = Chrome baseplate with powder coated lever</p> <p>ACDV525B = Powder coated baseplate with chrome lever</p>	1	each	<p>ACDV297 ACDV545 DV28 DV29</p>	MF
					SA
	<p>ACDV532</p> <p>Bottom Roller with Steel Pin for Dead-loading</p> <p>(Drill jig = ACDV902)</p>	1	each	<p>ACDV902</p>	KL
					HP
	<p>ACDV545</p> <p>Cast Screw Cover Cap</p>	1	each	<p>ACDV524 ACDV525</p>	HP
					SSC
	<p>ACDV551</p> <p>Adjustable Jamb Fixing</p>	100	pack	<p>ACDV551</p>	W
					Z
 <p>T-BARS ACVG65=2.5mm ACVG66=3.0mm ACVL150=4.0mm</p> <p>Screw (Grub)</p>	<p>MF = Mill Finish</p> <p>SA = Silver Anodised</p> <p>KL = Basic Colour</p> <p>HP = Special Colour</p> <p>SSC = Smooth Satin Chrome</p> <p>SMC = Smokey Chrome</p> <p>PC = Polished Chrome</p>	<p>W = White</p> <p>Z = Black</p>	 		





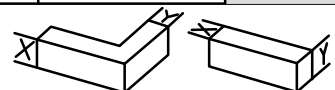
ACCESSORIES : PHOTOS & DRAWINGS

Image	Part Code	Pack	Unit	Application	Colour
	ACDV552 Outer Frame Fixing Bracket	4	pack	ACDV951 DV14 DV171 DV173 DV175 DV271	MF <input checked="" type="checkbox"/>
					SA <input type="checkbox"/>
					KL <input type="checkbox"/>
					HP <input type="checkbox"/>
					SSC <input type="checkbox"/>
					SMC <input type="checkbox"/>
					W <input type="checkbox"/>
					Z <input type="checkbox"/>
					PC <input type="checkbox"/>
					PC <input type="checkbox"/>
	ACDV553 DV552 End Cap	10	pack	ACDV553	MF <input type="checkbox"/>
					SA <input type="checkbox"/>
					KL <input type="checkbox"/>
					HP <input type="checkbox"/>
					SSC <input type="checkbox"/>
					SMC <input type="checkbox"/>
					W <input checked="" type="checkbox"/>
					Z <input checked="" type="checkbox"/>
					PC <input type="checkbox"/>
					PC <input type="checkbox"/>
	ACDV555 End Cap for DV555 (Top & Bottom)	10	pack	DV555	MF <input type="checkbox"/>
					SA <input type="checkbox"/>
					KL <input type="checkbox"/>
					HP <input type="checkbox"/>
					SSC <input type="checkbox"/>
					SMC <input type="checkbox"/>
					W <input checked="" type="checkbox"/>
					Z <input checked="" type="checkbox"/>
					PC <input type="checkbox"/>
					PC <input type="checkbox"/>
	ACDV582 Cill & Head Gasket	100	m	DV14 DV17 DV176	MF <input type="checkbox"/>
					SA <input type="checkbox"/>
					KL <input type="checkbox"/>
					HP <input type="checkbox"/>
					SSC <input type="checkbox"/>
					SMC <input type="checkbox"/>
					W <input type="checkbox"/>
					Z <input checked="" type="checkbox"/>
					PC <input type="checkbox"/>
					PC <input type="checkbox"/>
<p>T-BARS ACVG65=2.5mm ACVG66=3.0mm ACVL150=4.0mm</p> <p>Screw (Grub)</p>	MF = Mill Finish SA = Silver Anodised KL = Basic Colour HP = Special Colour SSC = Smooth Satin Chrome SMC = Smokey Chrome PC = Polished Chrome	W = White Z = Black		MF <input type="checkbox"/>	
				SA <input type="checkbox"/>	
				KL <input type="checkbox"/>	
				HP <input type="checkbox"/>	
				SSC <input type="checkbox"/>	
				SMC <input type="checkbox"/>	
				W <input type="checkbox"/>	
				Z <input type="checkbox"/>	
				PC <input type="checkbox"/>	
				PC <input type="checkbox"/>	



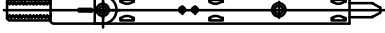




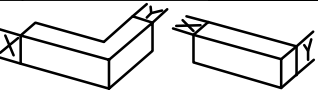
ACCESSORIES : PHOTOS & DRAWINGS

Image	Part Code	Pack	Unit	Application	Colour																		
	<p>ACDV722</p> <p>Multi Point Lock Kit with LEFT HAND Full Height Keep</p> <p>Viewed Externally</p> <p>Left Hand Open Out Right Hand Open In</p>	1	each	<p>DV14</p> <p>DV17</p> <p>DV23</p> <p>DV26</p> <p>DV28</p> <p>DV29</p> <p>DV32</p> <p>DV38</p> <p>PCX36</p> <p>PCX38</p>	<table border="1"> <tr><td>MF</td><td><input checked="" type="checkbox"/></td></tr> <tr><td>SA</td><td><input type="checkbox"/></td></tr> <tr><td>KL</td><td><input type="checkbox"/></td></tr> <tr><td>HP</td><td><input type="checkbox"/></td></tr> <tr><td>SSC</td><td><input type="checkbox"/></td></tr> <tr><td>SMC</td><td><input type="checkbox"/></td></tr> <tr><td>W</td><td><input type="checkbox"/></td></tr> <tr><td>Z</td><td><input type="checkbox"/></td></tr> <tr><td>PC</td><td><input type="checkbox"/></td></tr> </table>	MF	<input checked="" type="checkbox"/>	SA	<input type="checkbox"/>	KL	<input type="checkbox"/>	HP	<input type="checkbox"/>	SSC	<input type="checkbox"/>	SMC	<input type="checkbox"/>	W	<input type="checkbox"/>	Z	<input type="checkbox"/>	PC	<input type="checkbox"/>
MF	<input checked="" type="checkbox"/>																						
SA	<input type="checkbox"/>																						
KL	<input type="checkbox"/>																						
HP	<input type="checkbox"/>																						
SSC	<input type="checkbox"/>																						
SMC	<input type="checkbox"/>																						
W	<input type="checkbox"/>																						
Z	<input type="checkbox"/>																						
PC	<input type="checkbox"/>																						
	<p>ACDV723</p> <p>Multi Point Lock Kit with RIGHT HAND Full Height Keep</p> <p>Viewed Externally</p> <p>Left Hand Open In Right Hand Open Out</p>	1	each	<p>DV14</p> <p>DV17</p> <p>DV23</p> <p>DV26</p> <p>DV28</p> <p>DV29</p> <p>DV32</p> <p>DV38</p> <p>PCX36</p> <p>PCX38</p>	<table border="1"> <tr><td>MF</td><td><input checked="" type="checkbox"/></td></tr> <tr><td>SA</td><td><input type="checkbox"/></td></tr> <tr><td>KL</td><td><input type="checkbox"/></td></tr> <tr><td>HP</td><td><input type="checkbox"/></td></tr> <tr><td>SSC</td><td><input type="checkbox"/></td></tr> <tr><td>SMC</td><td><input type="checkbox"/></td></tr> <tr><td>W</td><td><input type="checkbox"/></td></tr> <tr><td>Z</td><td><input type="checkbox"/></td></tr> <tr><td>PC</td><td><input type="checkbox"/></td></tr> </table>	MF	<input checked="" type="checkbox"/>	SA	<input type="checkbox"/>	KL	<input type="checkbox"/>	HP	<input type="checkbox"/>	SSC	<input type="checkbox"/>	SMC	<input type="checkbox"/>	W	<input type="checkbox"/>	Z	<input type="checkbox"/>	PC	<input type="checkbox"/>
MF	<input checked="" type="checkbox"/>																						
SA	<input type="checkbox"/>																						
KL	<input type="checkbox"/>																						
HP	<input type="checkbox"/>																						
SSC	<input type="checkbox"/>																						
SMC	<input type="checkbox"/>																						
W	<input type="checkbox"/>																						
Z	<input type="checkbox"/>																						
PC	<input type="checkbox"/>																						
<p>T-BARS ACVG65=2.5mm ACVG66=3.0mm ACVL150=4.0mm</p> <p>Screw (Grub)</p>	<p>MF = Mill Finish W = White</p> <p>SA = Silver Anodised Z = Black</p> <p>KL = Basic Colour</p> <p>HP = Special Colour</p> <p>SSC = Smooth Satin Chrome</p> <p>SMC = Smokey Chrome</p> <p>PC = Polished Chrome</p>																						

ACCESSORIES : PHOTOS & DRAWINGS

Image	Part Code	Pack	Unit	Application	Colour																		
	ACDV727 Secondary Door Lock	1	each	ACDV501 ACDV502 DV14 DV17 DV23 DV26 DV28 DV29 DV75 PCX36 PCX38	<table border="1"> <tr><td>MF</td><td>✓</td></tr> <tr><td>SA</td><td></td></tr> <tr><td>KL</td><td></td></tr> <tr><td>HP</td><td></td></tr> <tr><td>SSC</td><td></td></tr> <tr><td>SMC</td><td></td></tr> <tr><td>W</td><td></td></tr> <tr><td>Z</td><td></td></tr> <tr><td>PC</td><td></td></tr> </table>	MF	✓	SA		KL		HP		SSC		SMC		W		Z		PC	
					MF	✓																	
SA																							
KL																							
HP																							
SSC																							
SMC																							
W																							
Z																							
PC																							
	ACDV728 Balcony Door Lock with Snapper Catch Operated by ACDV501/502 to match shootbolt handle No external access	1	each	ACDV501 ACDV502 DV14 DV17 DV23 DV26 DV28 DV29 DV75 PCX36 PCX38	<table border="1"> <tr><td>MF</td><td>✓</td></tr> <tr><td>SA</td><td></td></tr> <tr><td>KL</td><td></td></tr> <tr><td>HP</td><td></td></tr> <tr><td>SSC</td><td></td></tr> <tr><td>SMC</td><td></td></tr> <tr><td>W</td><td></td></tr> <tr><td>Z</td><td></td></tr> <tr><td>PC</td><td></td></tr> </table>	MF	✓	SA		KL		HP		SSC		SMC		W		Z		PC	
					MF	✓																	
SA																							
KL																							
HP																							
SSC																							
SMC																							
W																							
Z																							
PC																							
 <p>T-BARS ACVG65=2.5mm ACVG66=3.0mm ACVL150=4.0mm</p>  <p>Screw (Grub)</p>	MF = Mill Finish SA = Silver Anodised KL = Basic Colour HP = Special Colour SSC = Smooth Satin Chrome SMC = Smokey Chrome PC = Polished Chrome	W = White Z = Black																					

ACCESSORIES : PHOTOS & DRAWINGS

Image	Part Code	Pack	Unit	Application	Colour
	ACDV733 Top & Bottom Shootbolt Keep	1	each	ACDV727 ACDV737 ACDV738 DV23 DV26 DV28 DV29	MF SA KL HP SSC SMC W Z PC
	ACDV737 Bottom Shootbolt	1	each	ACDV727 ACDV733 ACDV738 DV23 DV26 DV28 DV29	MF SA KL HP SSC SMC W Z PC
	ACDV738 Top Shootbolt	1	each	ACDV727 ACDV733 ACDV737 DV23 DV26 DV28 DV29	MF SA KL HP SSC SMC W Z PC
	ACDV742 200mm Shootbolt Extension	1	each	ACDV727 ACDV733 ACDV738 DV23 DV26 DV28 DV29	MF SA KL HP SSC SMC W Z PC
	ACDV744 400mm Shootbolt Extension	1	each	ACDV727 ACDV733 ACDV738 DV23 DV26 DV28 DV29	MF SA KL HP SSC SMC W Z PC
 <p>T-BARS ACVG65=2.5mm ACVG66=3.0mm ACVL150=4.0mm</p>  <p>Screw (Grub)</p>	<p>MF = Mill Finish SA = Silver Anodised KL = Basic Colour HP = Special Colour SSC = Smooth Satin Chrome SMC = Smokey Chrome PC = Polished Chrome</p>	<p>W = White Z = Black</p>			

ACCESSORIES : PHOTOS & DRAWINGS




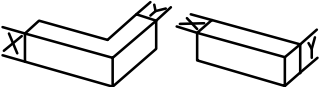
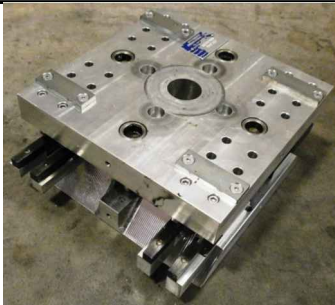
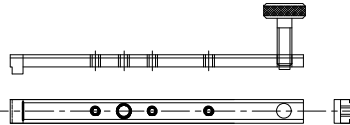
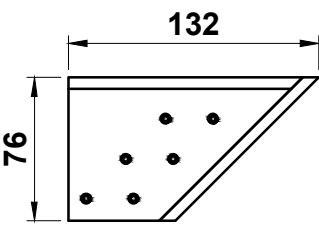
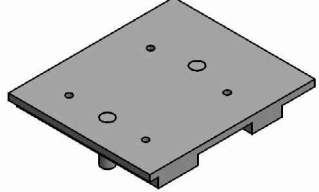
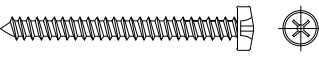


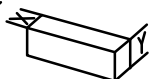
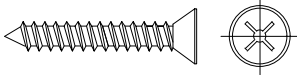
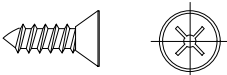
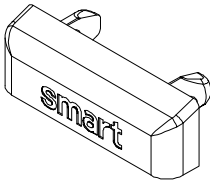

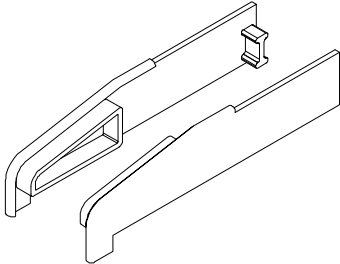

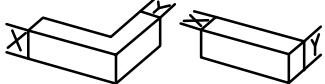
Image	Part Code	Pack	Unit	Application	Colour
	ACDV751 Split Spindle Kit 1x 63mm Spindle Inside 1x 70mm Spindle Outside	1	each	ACET480 ACET484 ACET486 ACET487 ACET488 ACDV251 ACDV752 ACDV753	MF
					SA
					KL
					HP
					SSC
					SMC
					W
					Z
					PC
					MF
					SA
					KL
					HP
					SSC
					SMC
					W
					Z
					PC
					MF
					SA
					KL
					HP
					SSC
					SMC
					W
					Z
					PC
					MF
					SA
					KL
					HP
					SSC
					SMC
					W
					Z
					PC
 <small>T-BARS ACVG65=2.5mm ACVG66=3.0mm ACVL150=4.0mm</small>	 <small>Screw (Grub)</small>	MF = Mill Finish SA = Silver Anodised KL = Basic Colour HP = Special Colour SSC = Smooth Satin Chrome SMC = Smokey Chrome PC = Polished Chrome	W = White Z = Black		

Image	Part Code	Pack	Unit	Application	Colour																		
	<p>ACDV752 Multi Point Lock Kit with LEFT HAND Full Height Keep</p> <p>Use with ACDV751 Split Spindle Kit</p> <p>Viewed Externally</p> <p>Left Hand Open Out Right Hand Open In</p>	1	each	<p>DV14 DV17 DV23 DV26 DV28 DV29 DV32 DV38 PCX36 PCX38</p>	<table border="1"> <tr><td>MF</td><td>✓</td></tr> <tr><td>SA</td><td></td></tr> <tr><td>KL</td><td></td></tr> <tr><td>HP</td><td></td></tr> <tr><td>SSC</td><td></td></tr> <tr><td>SMC</td><td></td></tr> <tr><td>W</td><td></td></tr> <tr><td>Z</td><td></td></tr> <tr><td>PC</td><td></td></tr> </table>	MF	✓	SA		KL		HP		SSC		SMC		W		Z		PC	
					MF	✓																	
SA																							
KL																							
HP																							
SSC																							
SMC																							
W																							
Z																							
PC																							
	<p>ACDV753 Multi Point Lock Kit with RIGHT HAND Full Height Keep</p> <p>Use with ACDV751 Split Spindle Kit</p> <p>Viewed Externally</p> <p>Left Hand Open In Right Hand Open Out</p>	1	each	<p>DV14 DV17 DV23 DV26 DV28 DV29 DV32 DV38 PCX36 PCX38</p>	<table border="1"> <tr><td>MF</td><td>✓</td></tr> <tr><td>SA</td><td></td></tr> <tr><td>KL</td><td></td></tr> <tr><td>HP</td><td></td></tr> <tr><td>SSC</td><td></td></tr> <tr><td>SMC</td><td></td></tr> <tr><td>W</td><td></td></tr> <tr><td>Z</td><td></td></tr> <tr><td>PC</td><td></td></tr> </table>	MF	✓	SA		KL		HP		SSC		SMC		W		Z		PC	
					MF	✓																	
SA																							
KL																							
HP																							
SSC																							
SMC																							
W																							
Z																							
PC																							
	<p>MF = Mill Finish W = White SA = Silver Anodised Z = Black KL = Basic Colour HP = Special Colour SSC = Smooth Satin Chrome SMC = Smokey Chrome PC = Polished Chrome</p>																						

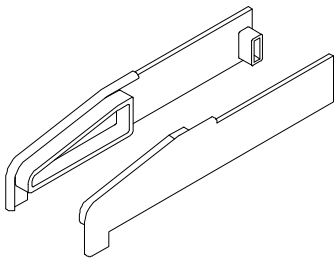
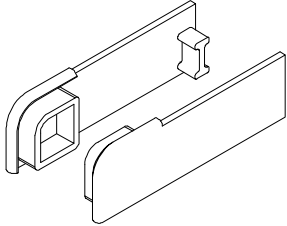
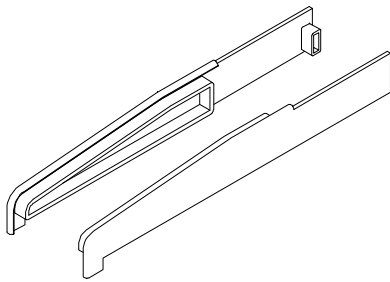
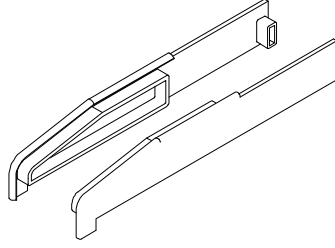
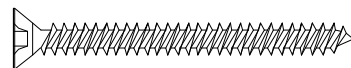




ACCESSORIES : PHOTOS & DRAWINGS

Image	Part Code	Pack	Unit	Application	Colour
	ACDV900 Punch Tool Base unit: ACIP911 (supplied separately)	1	each	DV14 DV17 DV23 DV26 DV28 DV29	MF SA KL HP SSC SMC W Z PC
	ACDV902 Drill Jig for ACDV532	1	each	DV23 DV26 DV28 DV29	MF SA KL HP SSC SMC W Z PC
	ACDV951 Marking Jig for 90° corners	1	each	ACDV552 DV14 DV171 DV173 DV175 DV271	MF SA KL HP SSC SMC W Z PC
	ACDV952 Drill Jig for DV17 & ACDV179	1	each	ACDV179 DV17	MF SA KL HP SSC SMC W Z PC
	ACDR052 No. 10 x 2" Pan Head S/S Self Tapper	200	pack	DV14 DV171 DV173 DV175	MF SA KL HP SSC SMC W Z PC
	<p>T-BARS ACVG65=2.5mm ACVG66=3.0mm ACVL150=4.0mm</p> <p>Screw (Grub)</p>				<p>MF = Mill Finish SA = Silver Anodised KL = Basic Colour HP = Special Colour SSC = Smooth Satin Chrome SMC = Smokey Chrome PC = Polished Chrome</p> <p>W = White Z = Black</p>
					


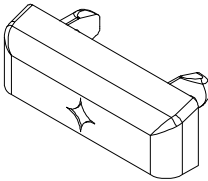
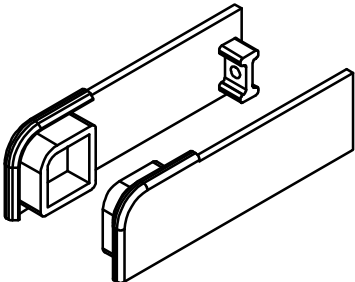
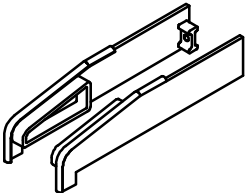
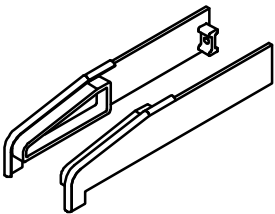


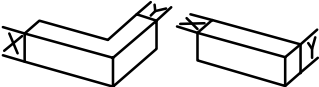
ACCESSORIES : PHOTOS & DRAWINGS

Image	Part Code	Pack	Unit	Application	Colour
	ACET060 No. 7 x 1" CSK S/S Self Tapper	100	pack		MF SA KL HP SSC SMC W Z PC
	ACET067 No. 7 x 1/2" CSK S/S Self Tapper	100	pack		MF SA KL HP SSC SMC W Z PC
	ACET131 Drainage Cap For Colour match Drainage caps use ACET431	100	pack		MF SA KL HP SSC SMC W ✓ Z ✓ PC
	ACET133 M5 x 50mm CSK S/S Screw	100	pack	ACDV225 ACDV226 ACDV227	MF SA KL HP SSC SMC W Z PC
	ACET152 PVC Cill End Caps	10	pair	ACET452	MF SA KL HP SSC SMC W ✓ Z ✓ PC
	<p>T-BARS ACVG65=2.5mm ACVG66=3.0mm ACVL150=4.0mm</p> <p>Screw (Grub)</p>				
	<p>MF = Mill Finish SA = Silver Anodised KL = Basic Colour HP = Special Colour SSC = Smooth Satin Chrome SMC = Smokey Chrome PC = Polished Chrome</p>				
					<p>W = White Z = Black</p> 

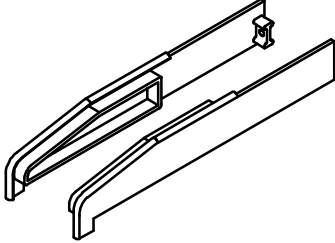
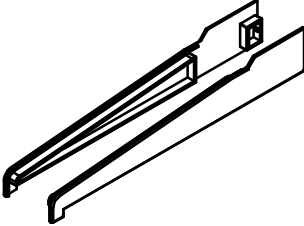
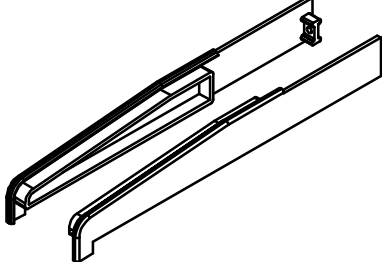




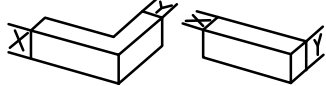
ACCESSORIES : PHOTOS & DRAWINGS

Image	Part Code	Pack	Unit	Application	Colour	
	ACET157 PVC Cill End Caps	10	pair	ETC457	MF	
					SA	
					KL	
					HP	
					SSC	
					SMC	
					W	✓
					Z	✓
					PC	
	ACET178 PVC Cill End Caps	10	pair	ETC451	MF	
					SA	
					KL	
					HP	
					SSC	
					SMC	
					W	✓
					Z	✓
					PC	
	ACET179 PVC Cill End Caps	10	pair	ETC479	MF	
					SA	
					KL	
					HP	
					SSC	
					SMC	
					W	✓
					Z	✓
					PC	
	ACET258 PVC Cill End Caps	10	pair	ETC458	MF	
					SA	
					KL	
					HP	
					SSC	
					SMC	
					W	✓
					Z	✓
					PC	
	ACET190 4.3 x 45mm CSK Polyamide Screw	1000	pack		MF	
					SA	
					KL	
					HP	
					SSC	
					SMC	
					W	
					Z	
					PC	
 <small>T-BARS ACVG66=2.5mm ACVG66=3.0mm ACVL150=4.0mm</small>	 <small>Screw (Grub)</small>	MF = Mill Finish SA = Silver Anodised KL = Basic Colour HP = Special Colour SSC = Smooth Satin Chrome SMC = Smokey Chrome PC = Polished Chrome	W = White Z = Black	 		




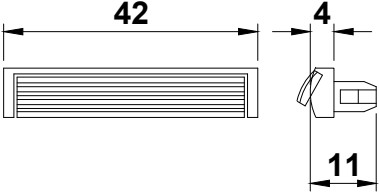


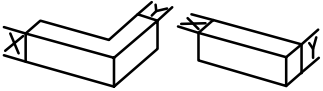
ACCESSORIES : PHOTOS & DRAWINGS

Image	Part Code	Pack	Unit	Application	Colour																		
	ACET290 4.3 x 20mm CSK Polyamide Screw	1000	pack		<table border="1"> <tr><td>MF</td><td></td></tr> <tr><td>SA</td><td></td></tr> <tr><td>KL</td><td></td></tr> <tr><td>HP</td><td></td></tr> <tr><td>SSC</td><td></td></tr> <tr><td>SMC</td><td></td></tr> <tr><td>W</td><td></td></tr> <tr><td>Z</td><td></td></tr> <tr><td>PC</td><td></td></tr> </table>	MF		SA		KL		HP		SSC		SMC		W		Z		PC	
MF																							
SA																							
KL																							
HP																							
SSC																							
SMC																							
W																							
Z																							
PC																							
	ACET431 Colour match Drainage Caps	8	pack		<table border="1"> <tr><td>MF</td><td>✓</td></tr> <tr><td>SA</td><td></td></tr> <tr><td>KL</td><td>✓</td></tr> <tr><td>HP</td><td>✓</td></tr> <tr><td>SSC</td><td></td></tr> <tr><td>SMC</td><td></td></tr> <tr><td>W</td><td>✓</td></tr> <tr><td>Z</td><td>✓</td></tr> <tr><td>PC</td><td></td></tr> </table>	MF	✓	SA		KL	✓	HP	✓	SSC		SMC		W	✓	Z	✓	PC	
MF	✓																						
SA																							
KL	✓																						
HP	✓																						
SSC																							
SMC																							
W	✓																						
Z	✓																						
PC																							
	ACET451 Cast Cill End Caps	1	pair	ETC451	<table border="1"> <tr><td>MF</td><td>✓</td></tr> <tr><td>SA</td><td></td></tr> <tr><td>KL</td><td>✓</td></tr> <tr><td>HP</td><td>✓</td></tr> <tr><td>SSC</td><td></td></tr> <tr><td>SMC</td><td></td></tr> <tr><td>W</td><td>✓</td></tr> <tr><td>Z</td><td>✓</td></tr> <tr><td>PC</td><td></td></tr> </table>	MF	✓	SA		KL	✓	HP	✓	SSC		SMC		W	✓	Z	✓	PC	
MF	✓																						
SA																							
KL	✓																						
HP	✓																						
SSC																							
SMC																							
W	✓																						
Z	✓																						
PC																							
	ACET452 Cast Cill End Caps	1	pair	ETC452	<table border="1"> <tr><td>MF</td><td>✓</td></tr> <tr><td>SA</td><td></td></tr> <tr><td>KL</td><td>✓</td></tr> <tr><td>HP</td><td>✓</td></tr> <tr><td>SSC</td><td></td></tr> <tr><td>SMC</td><td></td></tr> <tr><td>W</td><td>✓</td></tr> <tr><td>Z</td><td>✓</td></tr> <tr><td>PC</td><td></td></tr> </table>	MF	✓	SA		KL	✓	HP	✓	SSC		SMC		W	✓	Z	✓	PC	
MF	✓																						
SA																							
KL	✓																						
HP	✓																						
SSC																							
SMC																							
W	✓																						
Z	✓																						
PC																							
	ACET457 Cast Cill End Caps	1	pair	ETC457	<table border="1"> <tr><td>MF</td><td>✓</td></tr> <tr><td>SA</td><td></td></tr> <tr><td>KL</td><td>✓</td></tr> <tr><td>HP</td><td>✓</td></tr> <tr><td>SSC</td><td></td></tr> <tr><td>SMC</td><td></td></tr> <tr><td>W</td><td>✓</td></tr> <tr><td>Z</td><td>✓</td></tr> <tr><td>PC</td><td></td></tr> </table>	MF	✓	SA		KL	✓	HP	✓	SSC		SMC		W	✓	Z	✓	PC	
MF	✓																						
SA																							
KL	✓																						
HP	✓																						
SSC																							
SMC																							
W	✓																						
Z	✓																						
PC																							
 <p>T-BARS ACVG65=2.5mm ACVG66=3.0mm ACVL150=4.0mm</p>  <p>Screw (Grub)</p>	<p>MF = Mill Finish SA = Silver Anodised KL = Basic Colour HP = Special Colour SSC = Smooth Satin Chrome SMC = Smokey Chrome PC = Polished Chrome</p> <p>W = White Z = Black</p>																						

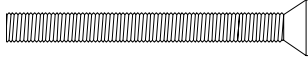







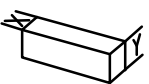
ACCESSORIES : PHOTOS & DRAWINGS

Image	Part Code	Pack	Unit	Application	Colour	
	ACET458 Cast Cill End Caps	1	pair	ETC458	MF	✓
					SA	
					KL	✓
					HP	✓
					SSC	
					SMC	
					W	✓
					Z	✓
					PC	
	ACET477 Cast Cill End Caps	1	pair	ETC477	MF	✓
					SA	
					KL	✓
					HP	✓
					SSC	
					SMC	
					W	✓
					Z	✓
					PC	
	ACET479 Cast Cill End Caps	1	pair	ETC479	MF	✓
					SA	
					KL	✓
					HP	✓
					SSC	
					SMC	
					W	✓
					Z	✓
					PC	
	ACET480 PAS24 Standard Lever/Lever Handle	1	pair	DV23 DV26 DV28 DV29 ACDV722 ACDV723	MF	
					SA	✓
					KL	✓
					HP	✓
					SSC	✓
					SMC	✓
					W	✓
					Z	✓
					PC	✓
	ACET484 Standard Lever/Lever Handle (Includes Fixings & Spindle)	1	pair	DV23 DV26 DV28 DV29 ACDV722 ACDV723	MF	
					SA	✓
					KL	✓
					HP	✓
					SSC	✓
					SMC	✓
					W	✓
					Z	✓
					PC	✓
 T-BARS ACVG65=2.5mm ACVG66=3.0mm ACVL150=4.0mm	 Screw (Grub)	MF = Mill Finish SA = Silver Anodised KL = Basic Colour HP = Special Colour SSC = Smooth Satin Chrome SMC = Smokey Chrome PC = Polished Chrome	W = White Z = Black			

ACCESSORIES : PHOTOS & DRAWINGS

Image	Part Code	Pack	Unit	Application	Colour
	ACET486 Swept Lever/Lever Handle (Includes Fixings & Spindle)	1	pair	DV23 DV26 DV28 DV29 ACDV722 ACDV723	MF SA ✓ KL ✓ HP ✓ SSC ✓ SMC ✓ W ✓ Z ✓ PC ✓
	ACET487 Oval Lever/Lever Handle (Includes Fixings & Spindle)	1	pair	DV23 DV26 DV28 DV29 ACDV722 ACDV723	MF SA ✓ KL ✓ HP ✓ SSC ✓ SMC ✓ W ✓ Z ✓ PC ✓
	ACET488 Round Lever/Lever Handle (Includes Fixings & Spindle)	1	pair	DV23 DV26 DV28 DV29 ACDV722 ACDV723	MF SA ✓ KL ✓ HP ✓ SSC ✓ SMC ✓ W ✓ Z ✓ PC ✓
	ACGSL045 Drainage Cap	100	pack		MF SA KL HP SSC SMC W ✓ Z ✓ PC
	ACMX01604 45 Half Cylinder <u>For Keyed Alike Order</u> ACMX01604SL	1	each	ACDV225 ACDV227	MF SA KL HP SSC SMC W Z PC
	MF = Mill Finish SA = Silver Anodised KL = Basic Colour HP = Special Colour SSC = Smooth Satin Chrome SMC = Smokey Chrome PC = Polished Chrome	W = White Z = Black			

ACCESSORIES : PHOTOS & DRAWINGS

Image	Part Code	Pack	Unit	Application	Colour	
	ACSG071 M4 x 40mm CSK S/S Screw	1	each	ACDV241	MF	
					SA	
					KL	
					HP	
					SSC	
					SMC	
					W	
					Z	
					PC	
	ACSH471 Letterplate 250mm x 65mm with Brush Fitting Cut Out 220mm x 45mm	1	each	DV35	MF	
					SA	
					KL	✓
					HP	
					SSC	
					SMC	
					W	✓
					Z	✓
					PC	✓
	ACVG31 3mm Retained Gasket	200	m	DV23 DV26 DV28 DV29	MF	
					SA	
					KL	
					HP	
					SSC	
					SMC	
					W	
					Z	✓
					PC	
	ACVG131 4mm Retained Gasket	100	m	DV23 DV26 DV28 DV29	MF	
					SA	
					KL	
					HP	
					SSC	
					SMC	
					W	
					Z	✓
					PC	
	ACVG34 5mm Wedge Gasket	100	m	DV23 DV26 DV28 DV29	MF	
					SA	
					KL	
					HP	
					SSC	
					SMC	
					W	
					Z	✓
					PC	
 <small>T-BARS ACVG65=2.5mm ACVG66=3.0mm ACVL150=4.0mm</small>	 <small>Screw (Grub)</small>	MF = Mill Finish SA = Silver Anodised KL = Basic Colour HP = Special Colour SSC = Smooth Satin Chrome SMC = Smokey Chrome PC = Polished Chrome	W = White Z = Black	 		

ACCESSORIES : PHOTOS & DRAWINGS

Image	Part Code	Pack	Unit	Application	Colour
	ACVG340 6mm Wedge Gasket	200	m	DV23 DV26 DV28 DV29	MF SA KL HP SSC SMC W Z ✓ PC
	ACVL032 Flipper Gasket	100	m	DV56 DV76	MF SA KL HP SSC SMC W Z ✓ PC
	ACSR012A Woolpile	100	m	ACSH032 ACDV283	MF SA KL HP SSC SMC W Z PC
	ACVL159 Glue	1	each		MF SA KL HP SSC SMC W Z PC
	ACVS010 PVC Strip	7.3	m	DV175	MF SA KL HP SSC SMC W Z ✓ PC
<p>T-BARS ACVG65=2.5mm ACVG66=3.0mm ACVL150=4.0mm</p> <p>Screw (Grub)</p>	<p>MF = Mill Finish SA = Silver Anodised KL = Basic Colour HP = Special Colour SSC = Smooth Satin Chrome SMC = Smokey Chrome PC = Polished Chrome</p>	<p>W = White Z = Black</p>			

ACCESSORIES : PHOTOS & DRAWINGS

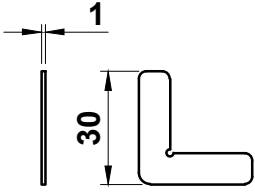
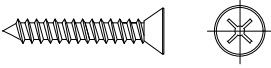


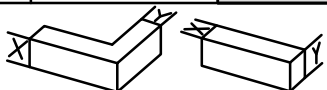

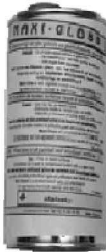


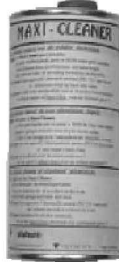


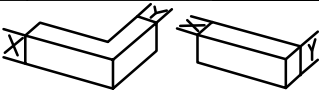






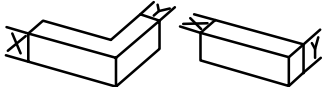
Image	Part Code	Pack	Unit	Application	Colour
	ACW20024 Chevron	100	pack	DV14	MF
					SA
					KL
					HP
					SSC
					SMC
					W
					Z
					PC
	MUA025SSZ No. 6 x 1" CSK S/S Self Tapper	100	pack		MF
					SA
					KL
					HP
					SSC
					SMC
					W
					Z
					PC
					MF
					SA
					KL
					HP
					SSC
					SMC
					W
					Z
					PC
					MF
					SA
					KL
					HP
					SSC
					SMC
					W
					Z
					PC
 	MF = Mill Finish SA = Silver Anodised KL = Basic Colour HP = Special Colour SSC = Smooth Satin Chrome SMC = Smokey Chrome PC = Polished Chrome	W = White Z = Black			

Image	Part Code	Pack	Unit	Application	Colour																		
	ACMX09700 Alu. Polish	1	each		<table border="1"> <tr><td>MF</td><td>✓</td></tr> <tr><td>SA</td><td></td></tr> <tr><td>KL</td><td></td></tr> <tr><td>HP</td><td></td></tr> <tr><td>SSC</td><td></td></tr> <tr><td>SMC</td><td></td></tr> <tr><td>W</td><td></td></tr> <tr><td>Z</td><td></td></tr> <tr><td>PC</td><td></td></tr> </table>	MF	✓	SA		KL		HP		SSC		SMC		W		Z		PC	
MF	✓																						
SA																							
KL																							
HP																							
SSC																							
SMC																							
W																							
Z																							
PC																							
	ACMX09761 Maxi Gloss	1	each		<table border="1"> <tr><td>MF</td><td></td></tr> <tr><td>SA</td><td></td></tr> <tr><td>KL</td><td></td></tr> <tr><td>HP</td><td></td></tr> <tr><td>SSC</td><td></td></tr> <tr><td>SMC</td><td></td></tr> <tr><td>W</td><td></td></tr> <tr><td>Z</td><td></td></tr> <tr><td>PC</td><td></td></tr> </table>	MF		SA		KL		HP		SSC		SMC		W		Z		PC	
MF																							
SA																							
KL																							
HP																							
SSC																							
SMC																							
W																							
Z																							
PC																							
	ACMX09762 Alu. Bright	1	each		<table border="1"> <tr><td>MF</td><td></td></tr> <tr><td>SA</td><td></td></tr> <tr><td>KL</td><td></td></tr> <tr><td>HP</td><td></td></tr> <tr><td>SSC</td><td></td></tr> <tr><td>SMC</td><td></td></tr> <tr><td>W</td><td></td></tr> <tr><td>Z</td><td></td></tr> <tr><td>PC</td><td></td></tr> </table>	MF		SA		KL		HP		SSC		SMC		W		Z		PC	
MF																							
SA																							
KL																							
HP																							
SSC																							
SMC																							
W																							
Z																							
PC																							
	ACMX09763 Teflon Spray	1	each		<table border="1"> <tr><td>MF</td><td></td></tr> <tr><td>SA</td><td></td></tr> <tr><td>KL</td><td></td></tr> <tr><td>HP</td><td></td></tr> <tr><td>SSC</td><td></td></tr> <tr><td>SMC</td><td></td></tr> <tr><td>W</td><td></td></tr> <tr><td>Z</td><td></td></tr> <tr><td>PC</td><td></td></tr> </table>	MF		SA		KL		HP		SSC		SMC		W		Z		PC	
MF																							
SA																							
KL																							
HP																							
SSC																							
SMC																							
W																							
Z																							
PC																							
	ACMX09764 Maxi Clean	1	each		<table border="1"> <tr><td>MF</td><td></td></tr> <tr><td>SA</td><td></td></tr> <tr><td>KL</td><td></td></tr> <tr><td>HP</td><td></td></tr> <tr><td>SSC</td><td></td></tr> <tr><td>SMC</td><td></td></tr> <tr><td>W</td><td></td></tr> <tr><td>Z</td><td></td></tr> <tr><td>PC</td><td></td></tr> </table>	MF		SA		KL		HP		SSC		SMC		W		Z		PC	
MF																							
SA																							
KL																							
HP																							
SSC																							
SMC																							
W																							
Z																							
PC																							
 <p>T-BARS ACVG665=2.5mm ACVG666=3.0mm ACVL150=4.0mm</p>  <p>Screw (Grub)</p>	<p>MF = Mill Finish SA = Silver Anodised KL = Basic Colour HP = Special Colour SSC = Smooth Satin Chrome SMC = Smokey Chrome PC = Polished Chrome</p>	<p>W = White Z = Black</p>																					

STANDARD ACCESSORIES

Image	Part Code	Pack	Unit	Application	Colour
	ACMX09765 Alu. Cleaner	1	each		MF
					SA
					KL
					HP
					SSC
					SMC
					W
					Z
					PC
	ACMX09770 Roll & Wrap 100mm	1	each		MF
					SA
					KL
					HP
					SSC
					SMC
					W
					Z
					PC
	ACMX09775 Grip Handwrap	1	each		MF
					SA
					KL
					HP
					SSC
					SMC
					W
					Z
					PC
	ACMX09801 Protective Tape 50mm	1	each		MF
					SA
					KL
					HP
					SSC
					SMC
					W
					Z
					PC
	ACMX09802 Protective Tape 70mm	1	each		MF
					SA
					KL
					HP
					SSC
					SMC
					W
					Z
					PC
 T-BARS ACVG65=2.5mm ACVG66=3.0mm ACVL150=4.0mm	 Screw (Grub)	MF = Mill Finish SA = Silver Anodised KL = Basic Colour HP = Special Colour SSC = Smooth Satin Chrome SMC = Smokey Chrome PC = Polished Chrome	W = White Z = Black	 	

Image	Part Code	Pack	Unit	Application	Colour
	ACMX09803 Protective Tape 100mm	1	each		MF SA KL HP SSC SMC W Z PC
	ACMX09830 Rubber Sealant	1	each		MF SA KL HP SSC SMC W Z PC
	ACSIL04 Sealing Glue Order with suffix of KL colour (eg.ACSIL04KL005) or BL=Black/WP=White/ CL=Clear	1	each		MF SA KL ✓ HP SSC SMC W ✓ Z ✓ PC
	ACSIL08 Silicon Gun	1	each		MF SA KL HP SSC SMC W Z PC
	ACSIL013 Glue for Mitre	1	each		MF SA KL HP SSC SMC W Z PC
 <p>T-BARS ACVG665=2.5mm ACVG666=3.0mm ACVL150=4.0mm</p> <p>Screw (Grub)</p>	<p>MF = Mill Finish SA = Silver Anodised KL = Basic Colour HP = Special Colour SSC = Smooth Satin Chrome SMC = Smokey Chrome PC = Polished Chrome</p>	<p>W = White Z = Black</p>			

STANDARD ACCESSORIES




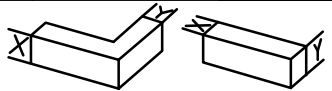


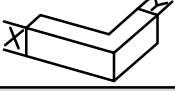
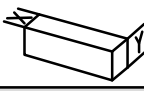
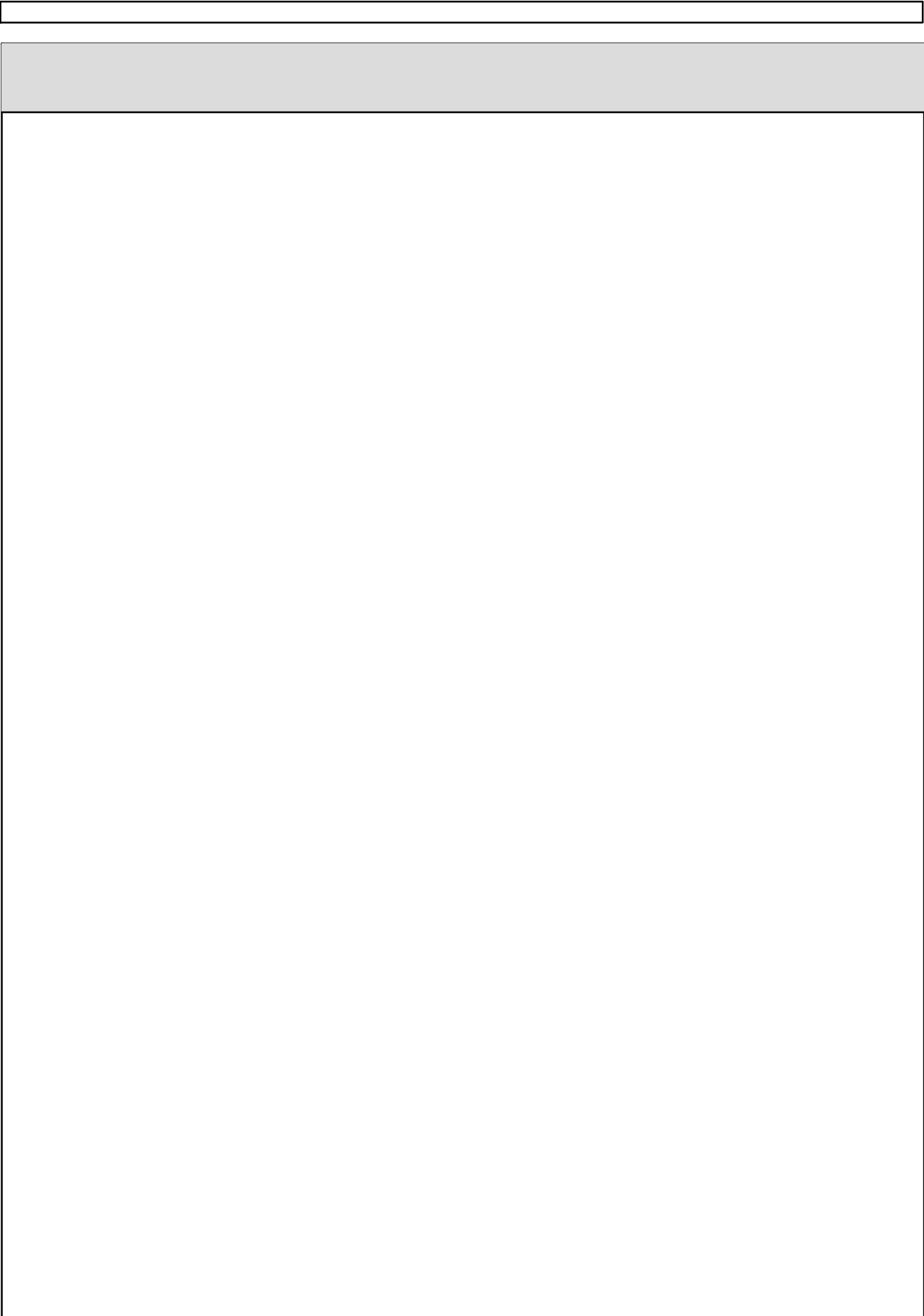
Image	Part Code	Pack	Unit	Application	Colour	
	ACSIL014 Anti-Corrosion Coating	1	each		MF	✓
					SA	
					KL	
					HP	
					SSC	
					SMC	
					W	
					Z	
					PC	
	ACUN3900 Gasket Roller	1	each		MF	
					SA	
					KL	
					HP	
					SSC	
					SMC	
					W	
					Z	
					PC	
					MF	
					SA	
					KL	
					HP	
					SSC	
					SMC	
					W	
					Z	
					PC	
					MF	
					SA	
					KL	
					HP	
					SSC	
					SMC	
					W	
					Z	
					PC	
	MF = Mill Finish SA = Silver Anodised KL = Basic Colour HP = Special Colour SSC = Smooth Satin Chrome SMC = Smokey Chrome PC = Polished Chrome				MF	
					SA	
					KL	
					HP	
					SSC	
					SMC	
					W	
					Z	
					PC	
		W = White Z = Black				

Image	Part Code	Pack	Unit	Application	Colour
					MF SA KL HP SSC SMC W Z PC
					MF SA KL HP SSC SMC W Z PC
					MF SA KL HP SSC SMC W Z PC
					MF SA KL HP SSC SMC W Z PC
					MF SA KL HP SSC SMC W Z PC
					MF SA KL HP SSC SMC W Z PC
 <p>T-BARS ACVG65=2.5mm ACVG66=3.0mm ACVL150=4.0mm</p>  <p>Screw (Grub)</p>	<p>MF = Mill Finish SA = Silver Anodised KL = Basic Colour HP = Special Colour SSC = Smooth Satin Chrome SMC = Smokey Chrome PC = Polished Chrome</p>	<p>W = White Z = Black</p>	 		

Section C

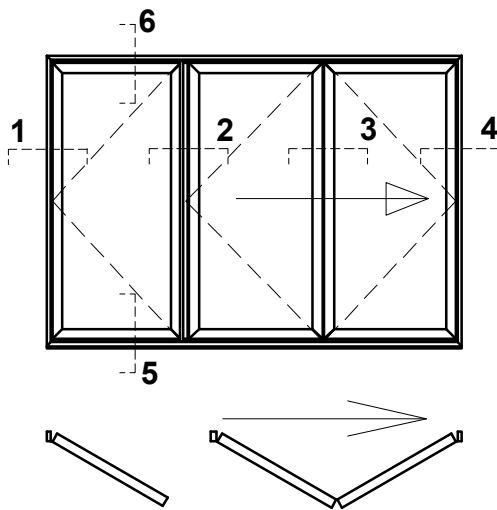
Sections

Scale Elevations

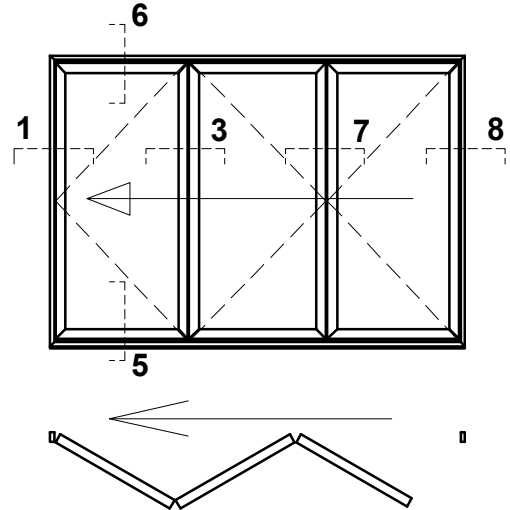


Open Out - Scale Elevations

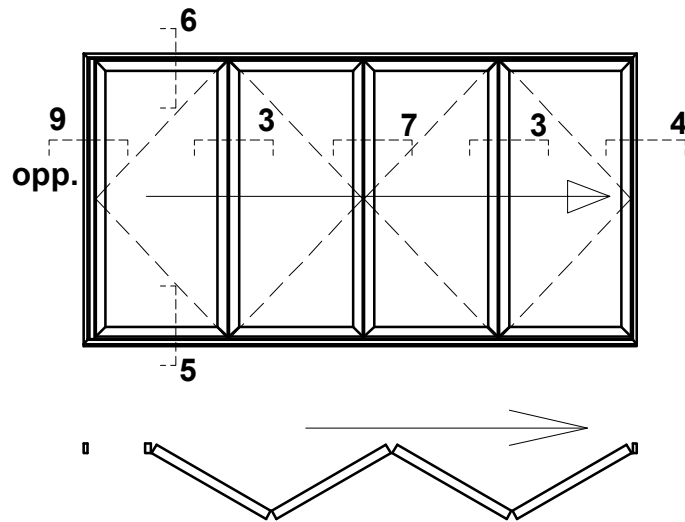
Type 1e



Type 2e



Type 3e

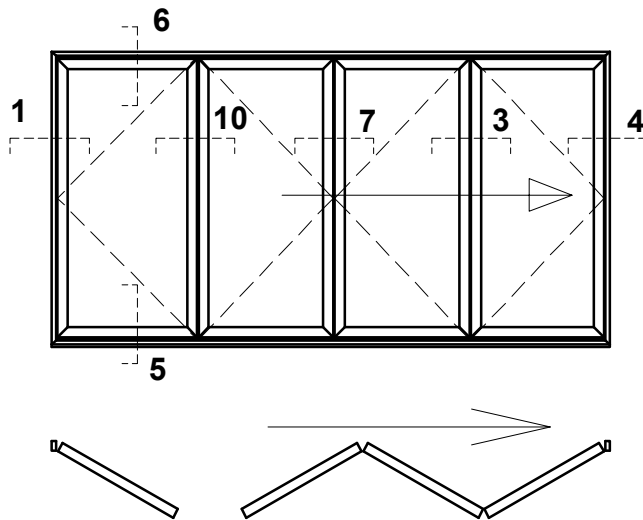


No External Access Or Traffic Door With This Design

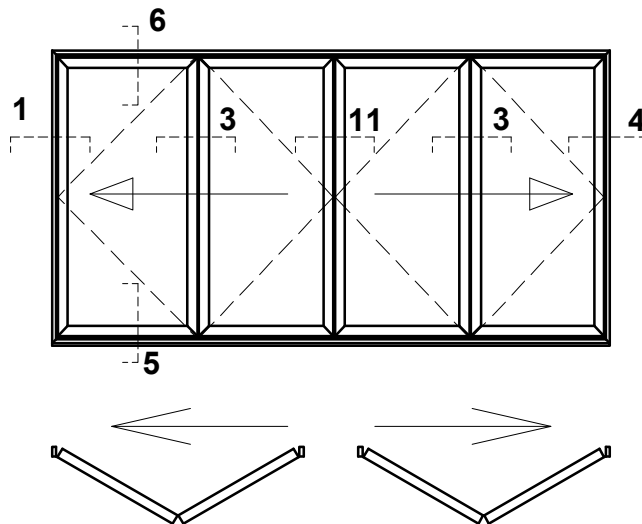
Do Not Scale From This Drawing

Open Out - Scale Elevations

Type 4e



Type 5e

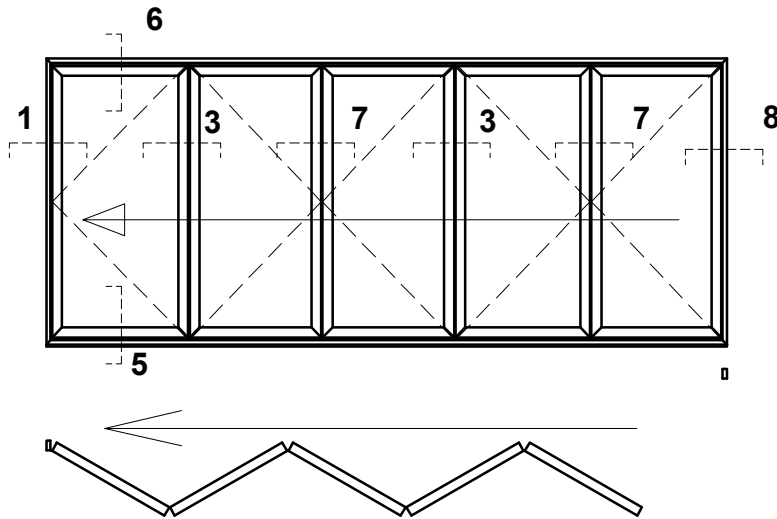


No External Access Or Traffic Door With This Design

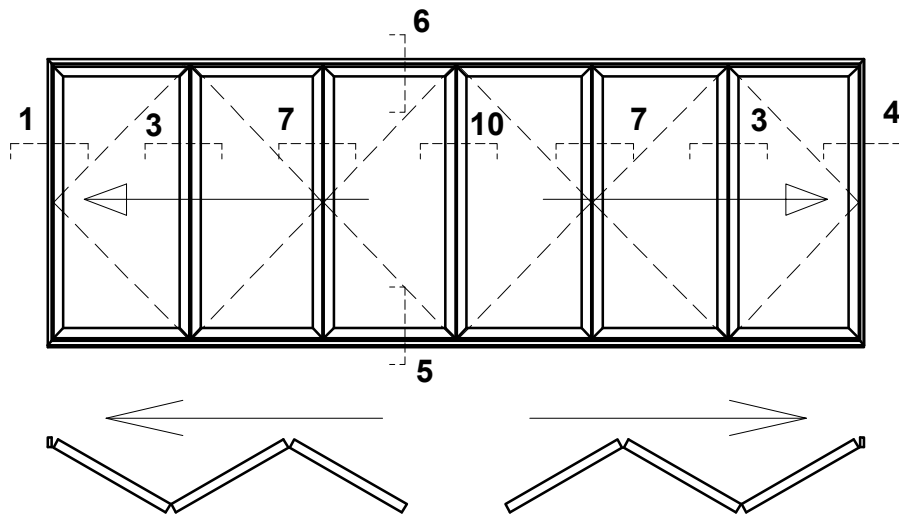
Do Not Scale From This Drawing

Open Out - Scale Elevations

Type 6e



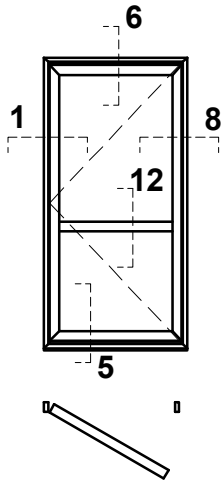
Type 7e



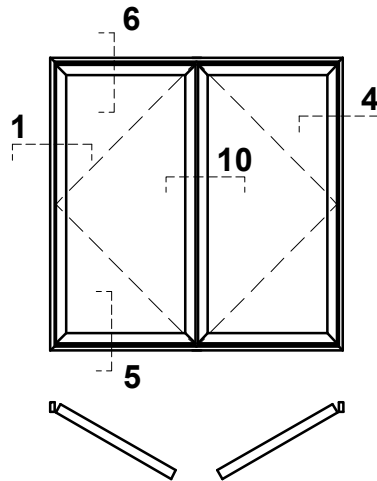
Do Not Scale From This Drawing

Open Out - Scale Elevations

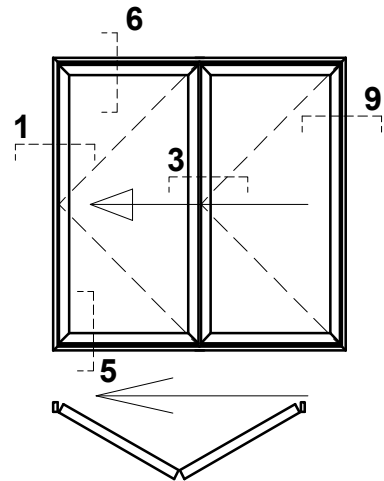
Single Swing Door



Double Swing Door

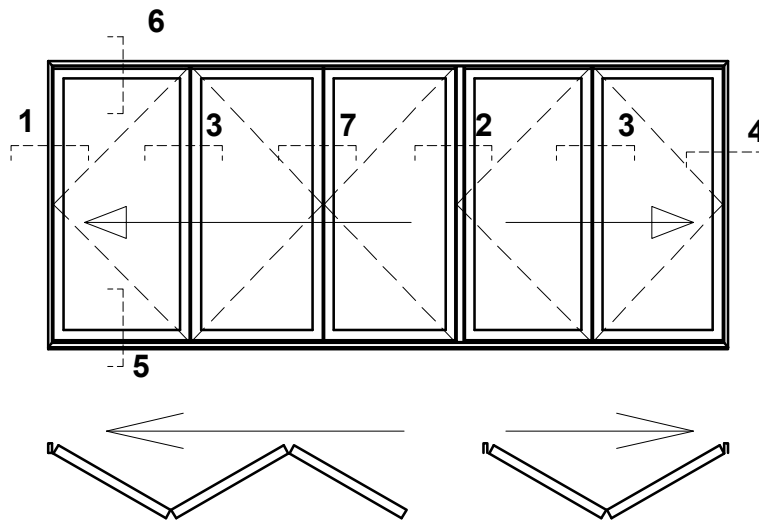


Double Slide Door



No External Access Or Traffic Door With This Design

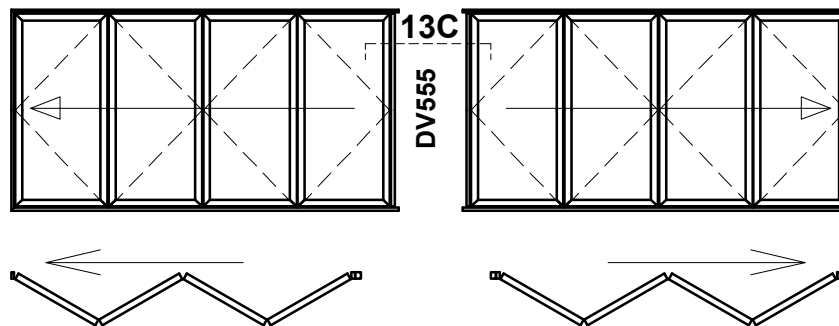
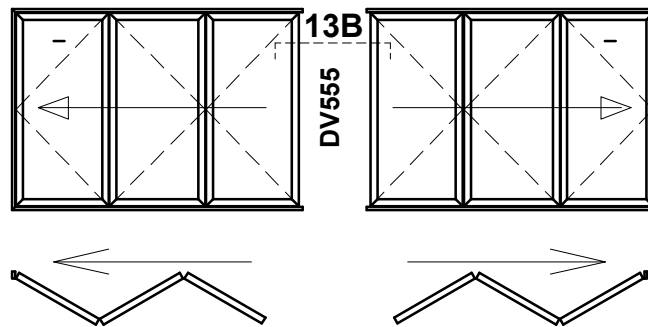
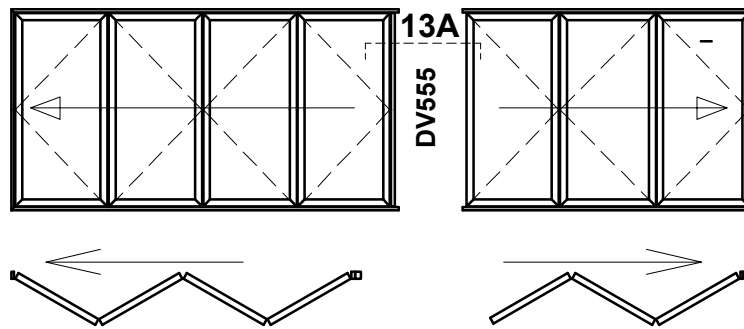
3/2 Split Door



Do Not Scale From This Drawing

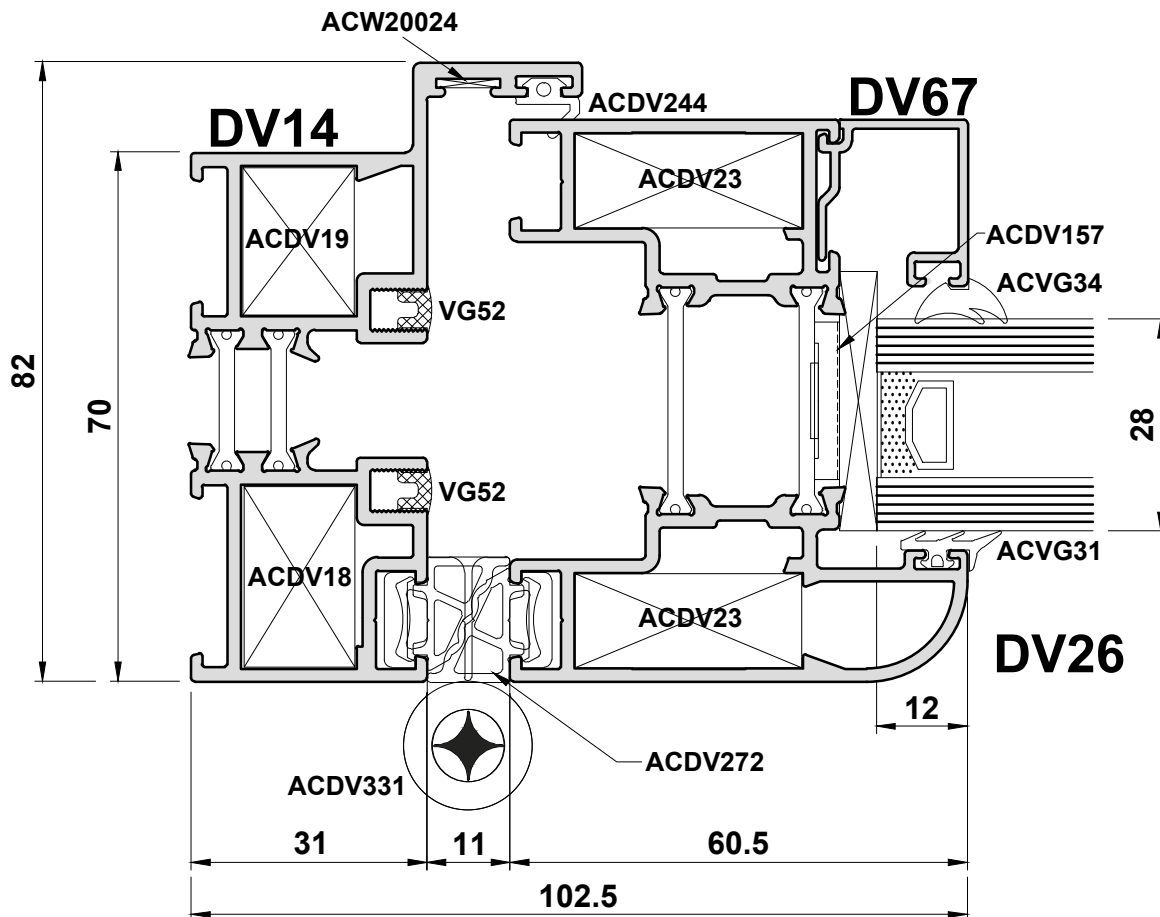
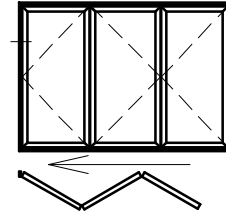
Open Out - Scale Elevations

Removable 90° Corner Post Configurations



Do Not Scale From This Drawing

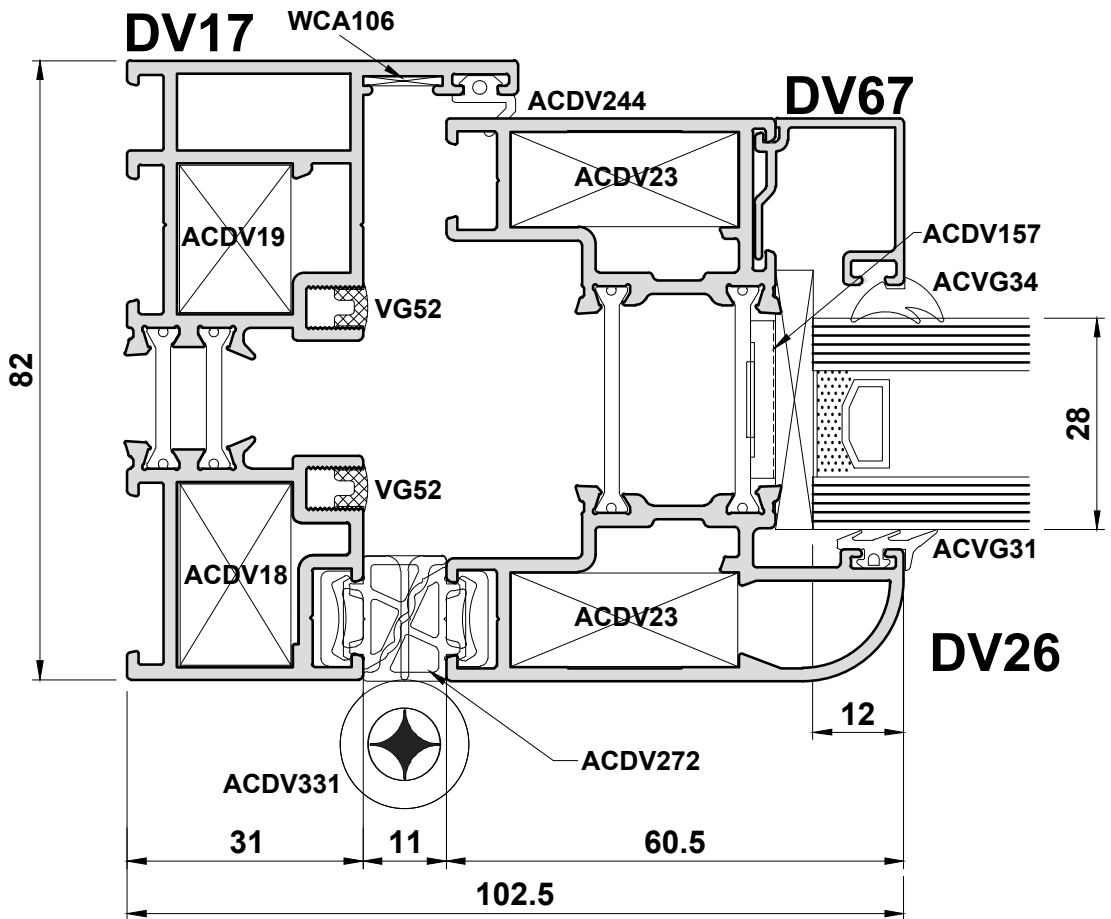
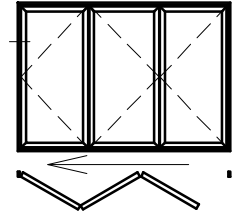
Open Out - Detail 1A



Do Not Scale From This Drawing

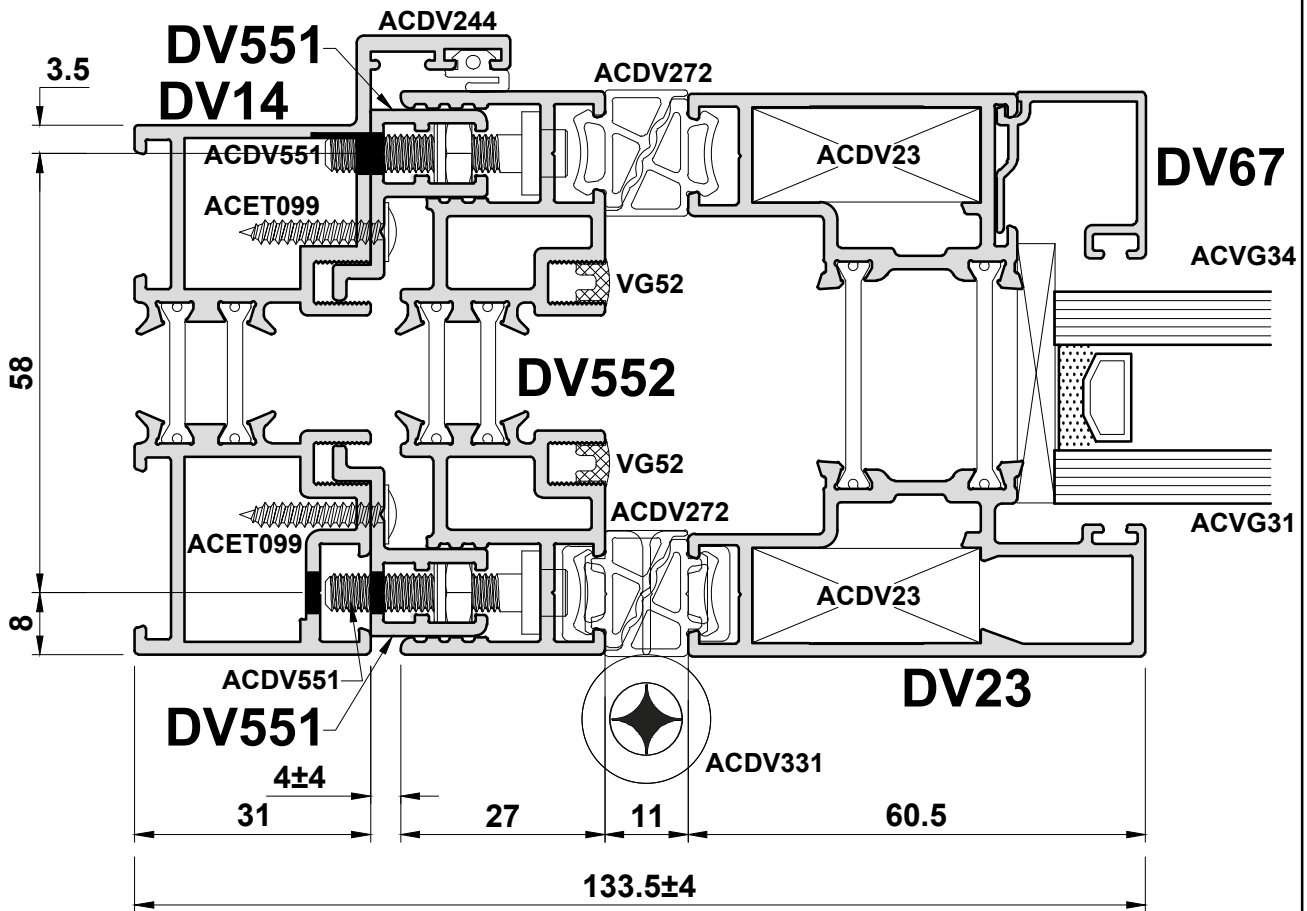
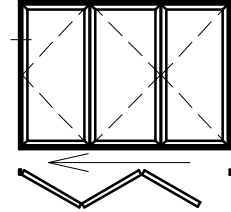
SECTIONS

Open Out - Detail 1B



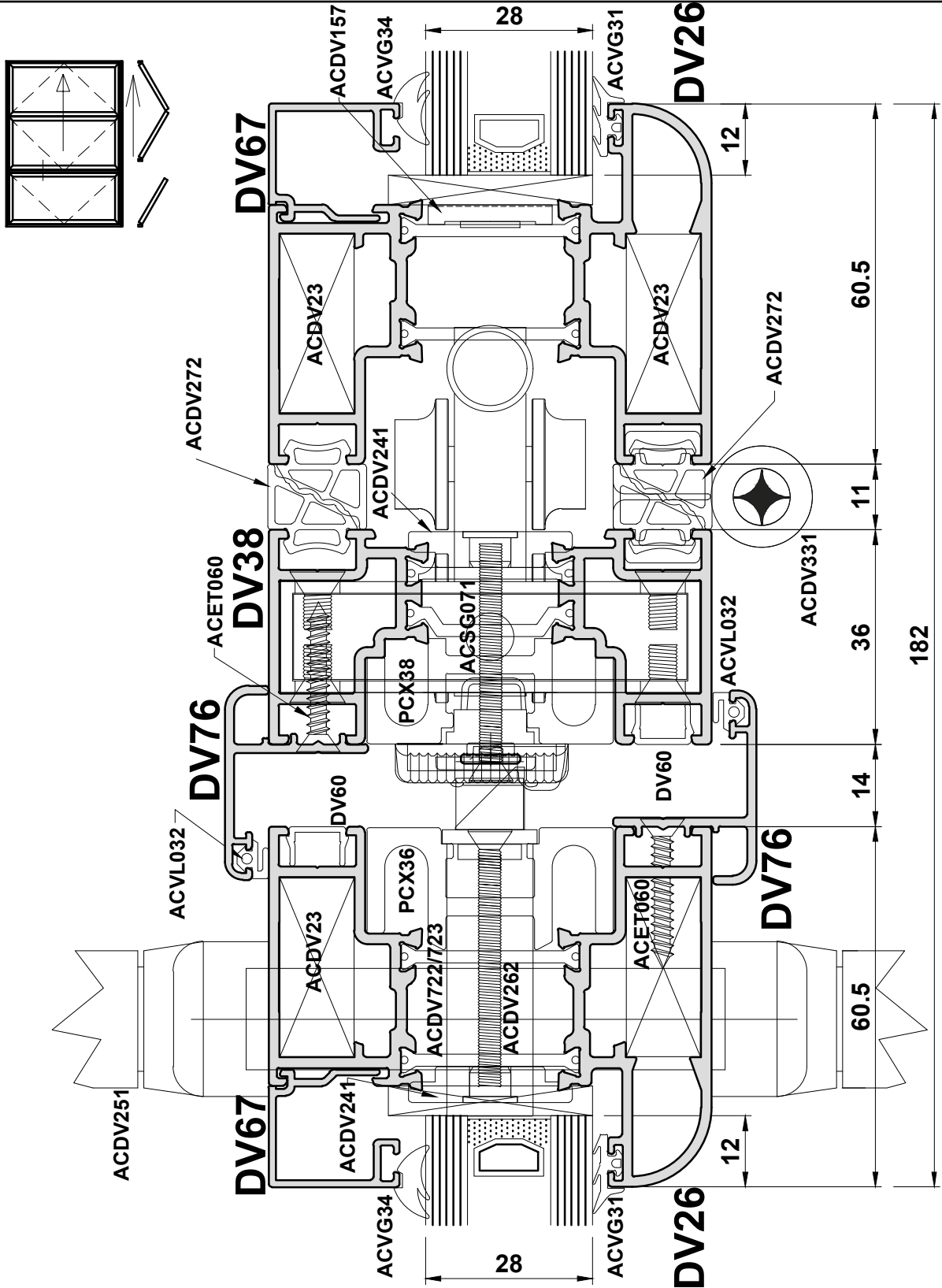
Do Not Scale From This Drawing

Open Out - Detail 1C



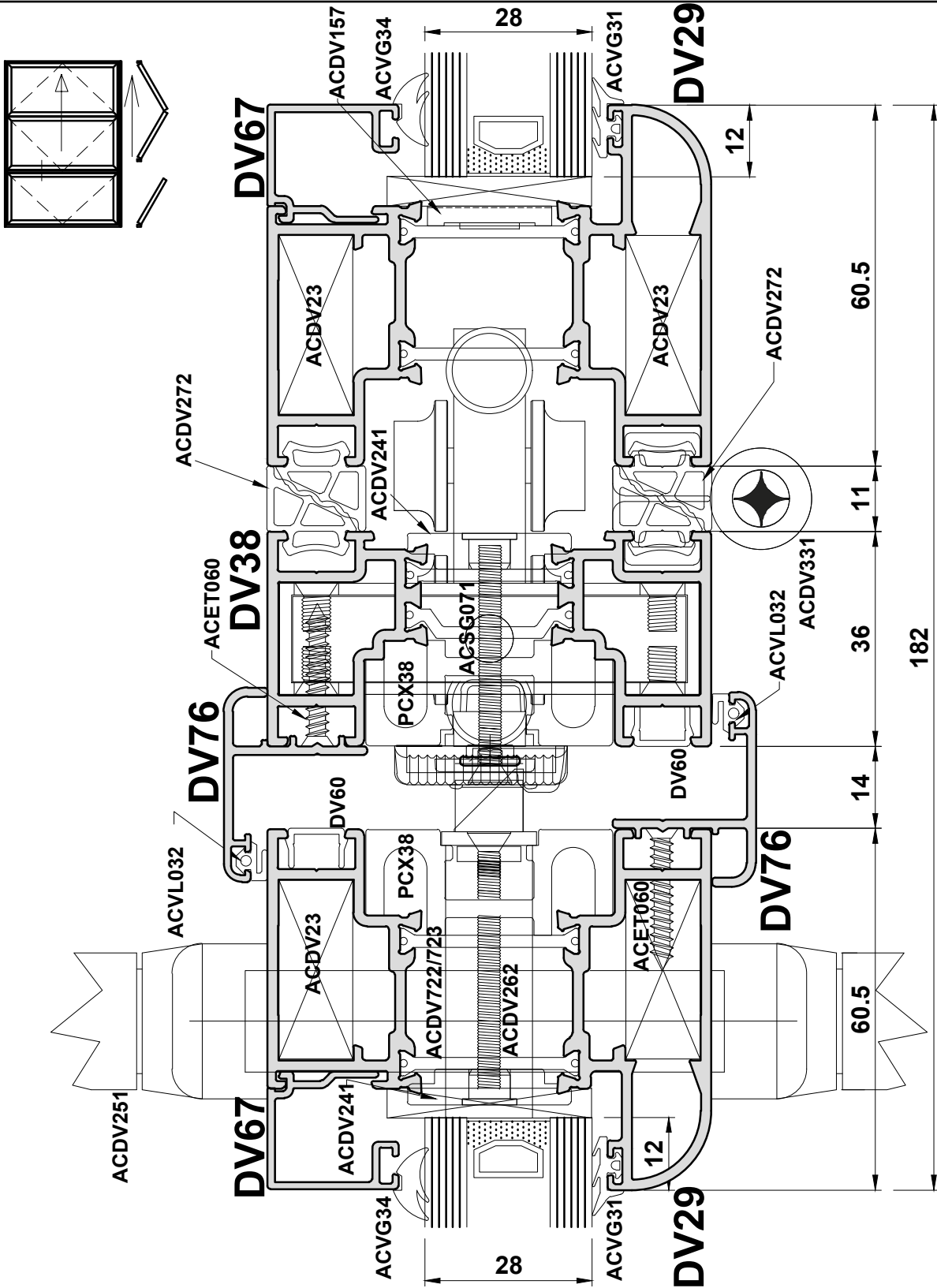
Do Not Scale From This Drawing

Open Out - Detail 2A



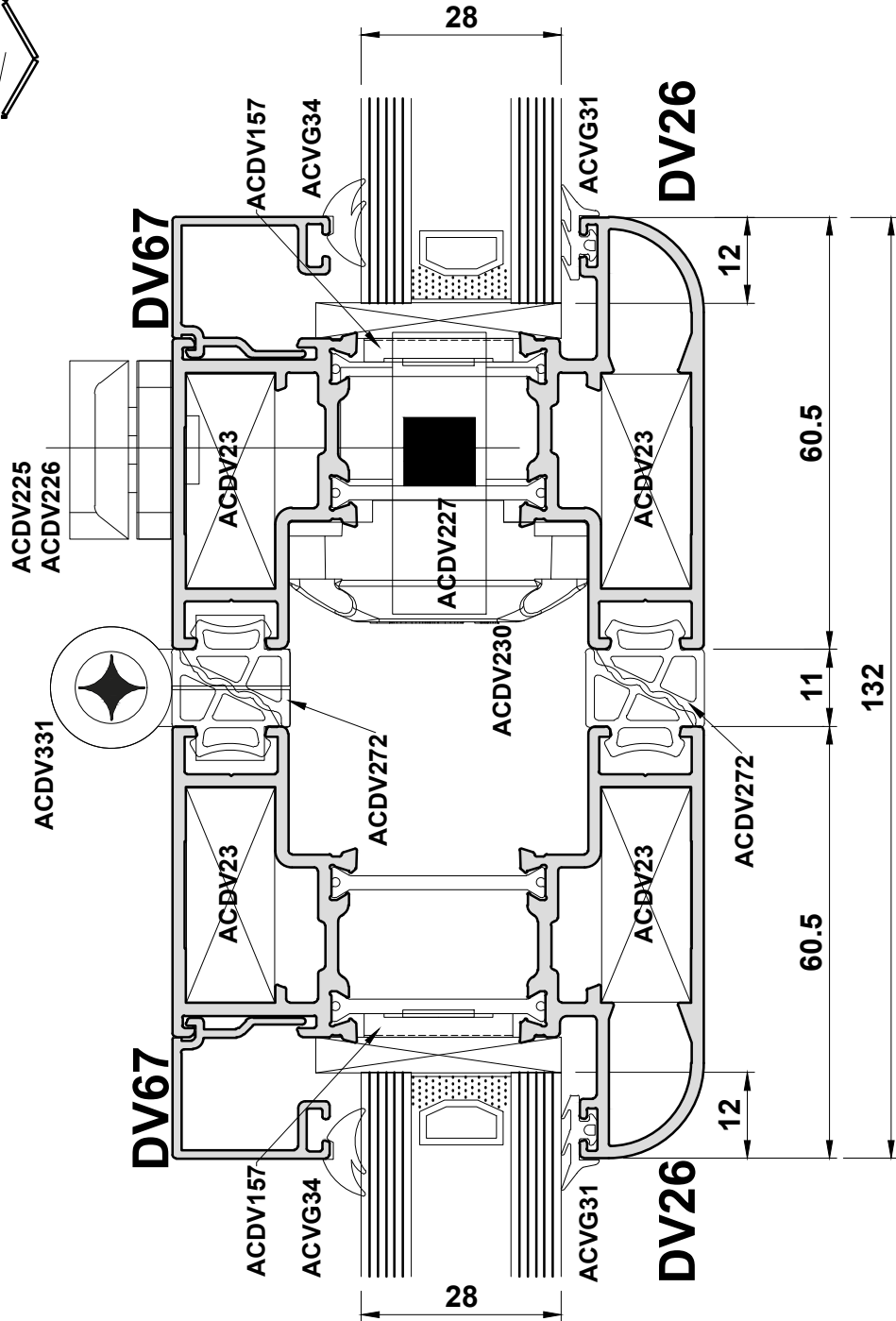
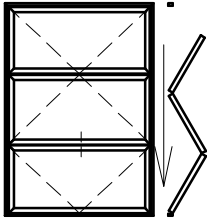
Do Not Scale From This Drawing

Open Out - Detail 2B



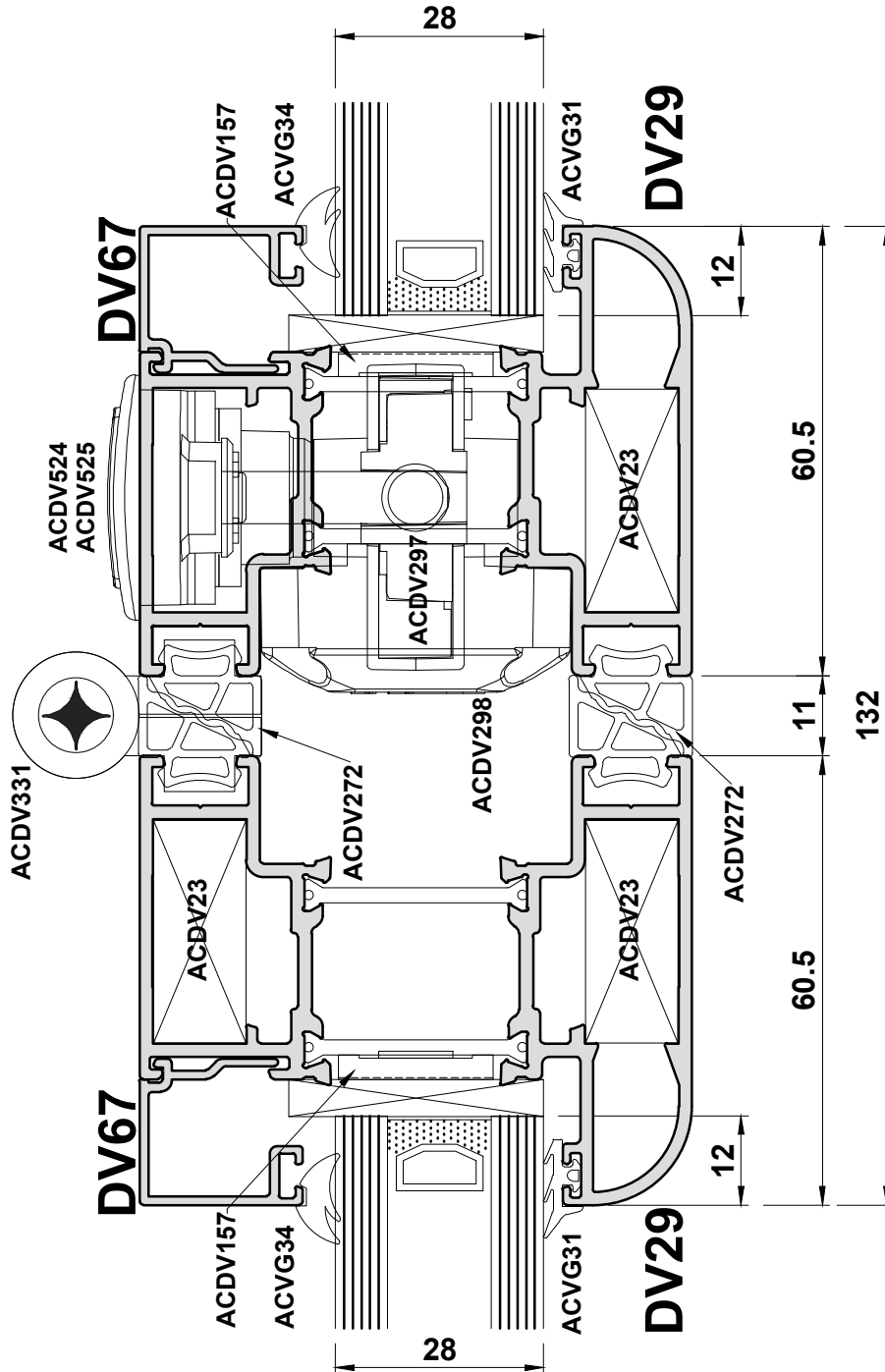
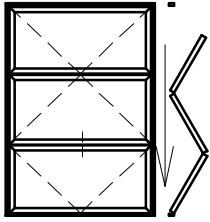
Do Not Scale From This Drawing

Open Out - Detail 3A



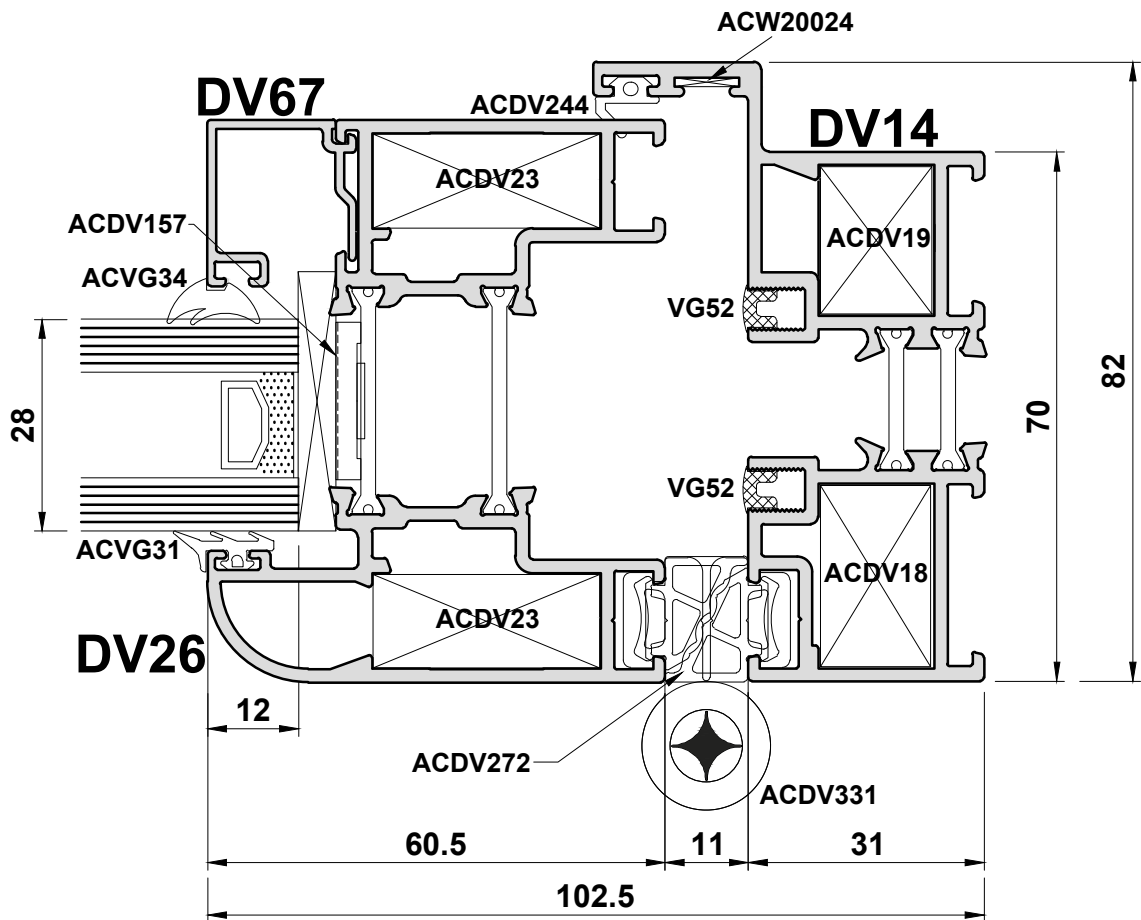
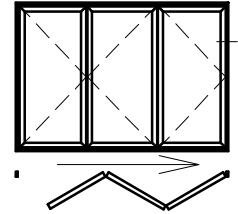
Do Not Scale From This Drawing

Open Out - Detail 3B



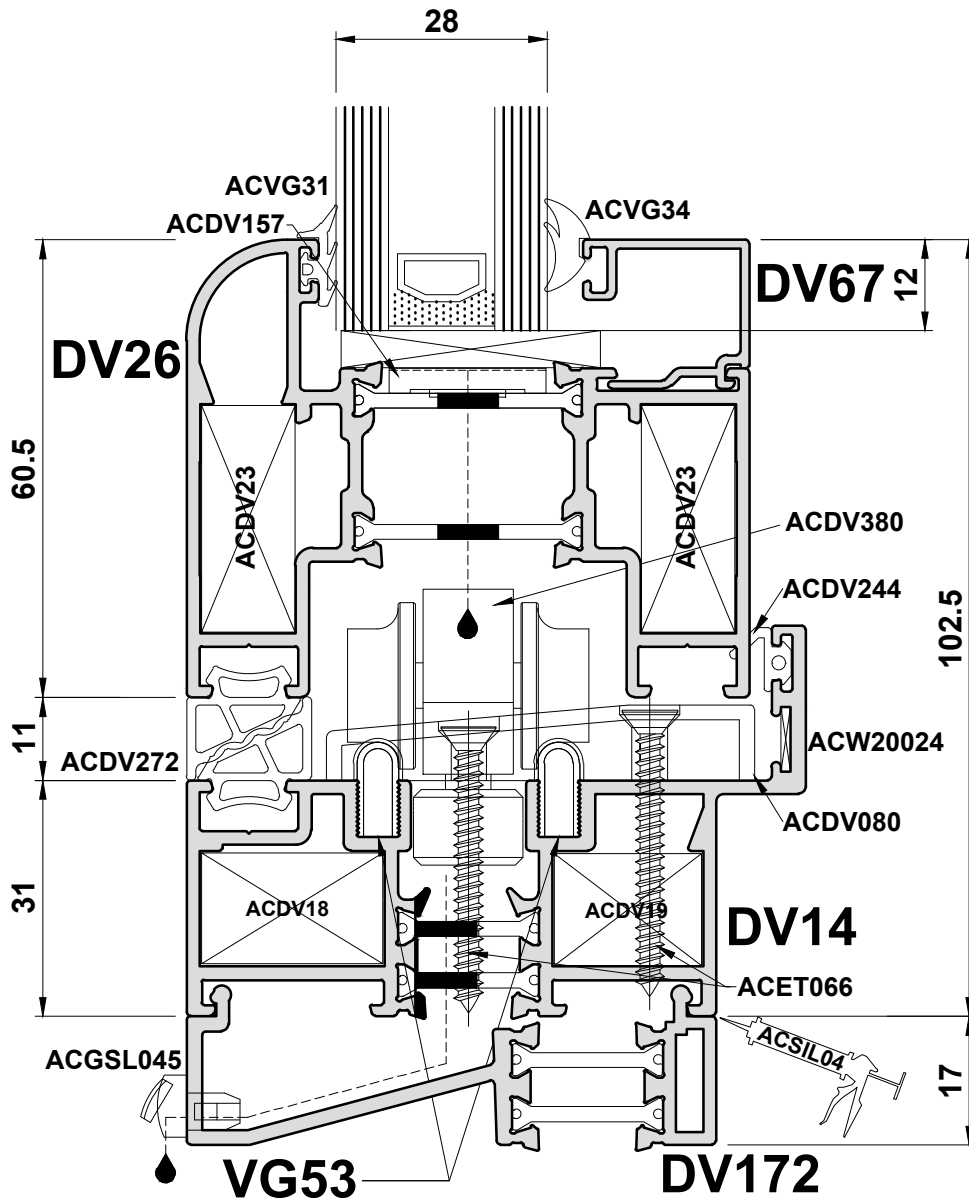
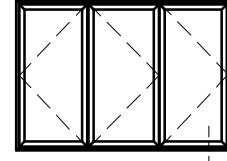
Do Not Scale From This Drawing

Open Out - Detail 4



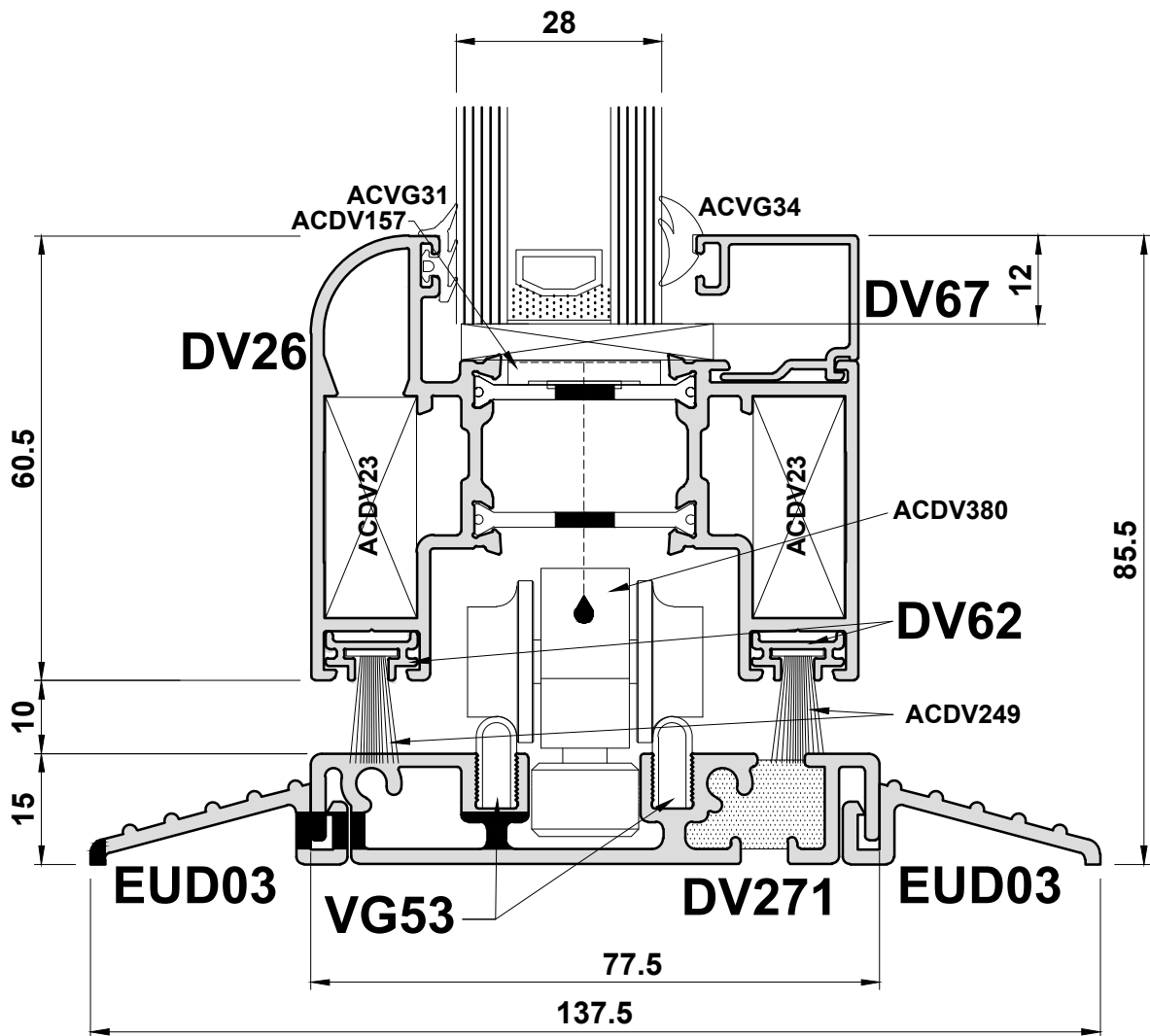
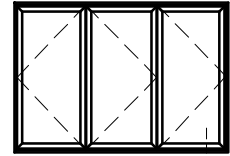
Do Not Scale From This Drawing

Open Out - Detail 5A



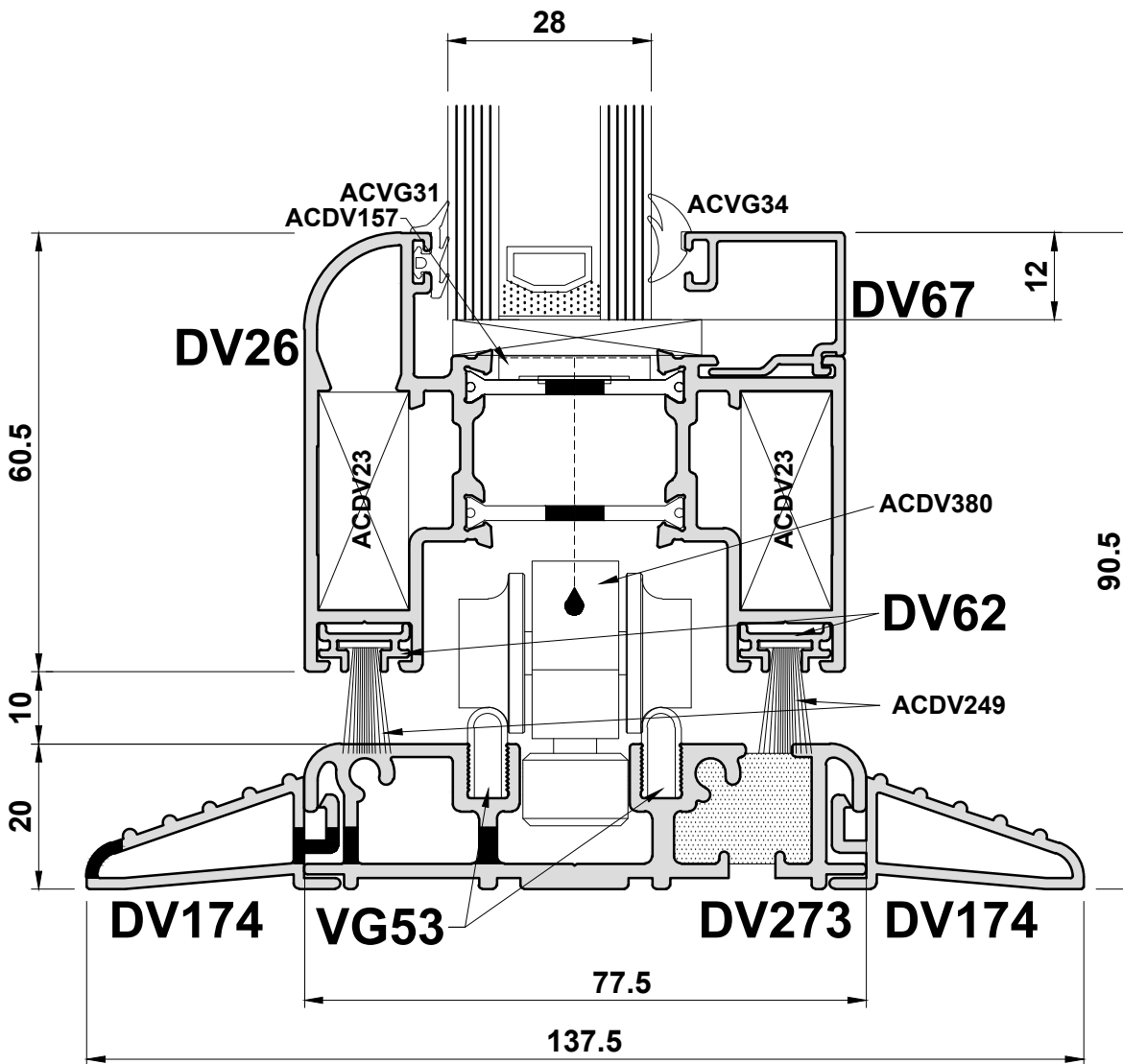
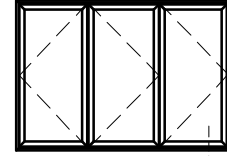
Do Not Scale From This Drawing

Open Out - Detail 5B



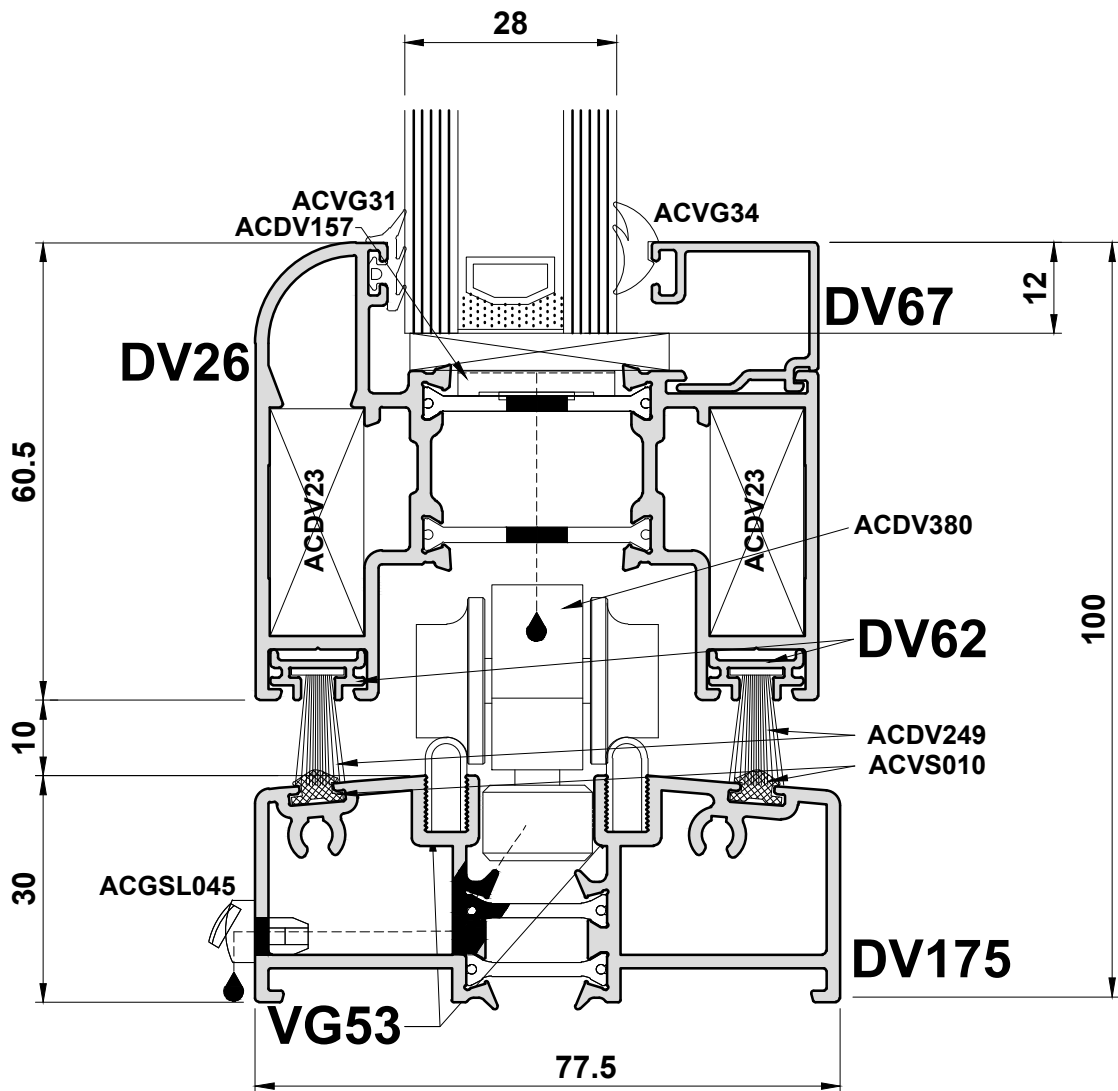
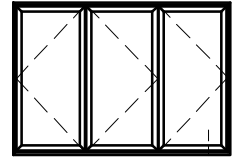
Do Not Scale From This Drawing

Open Out - Detail 5C



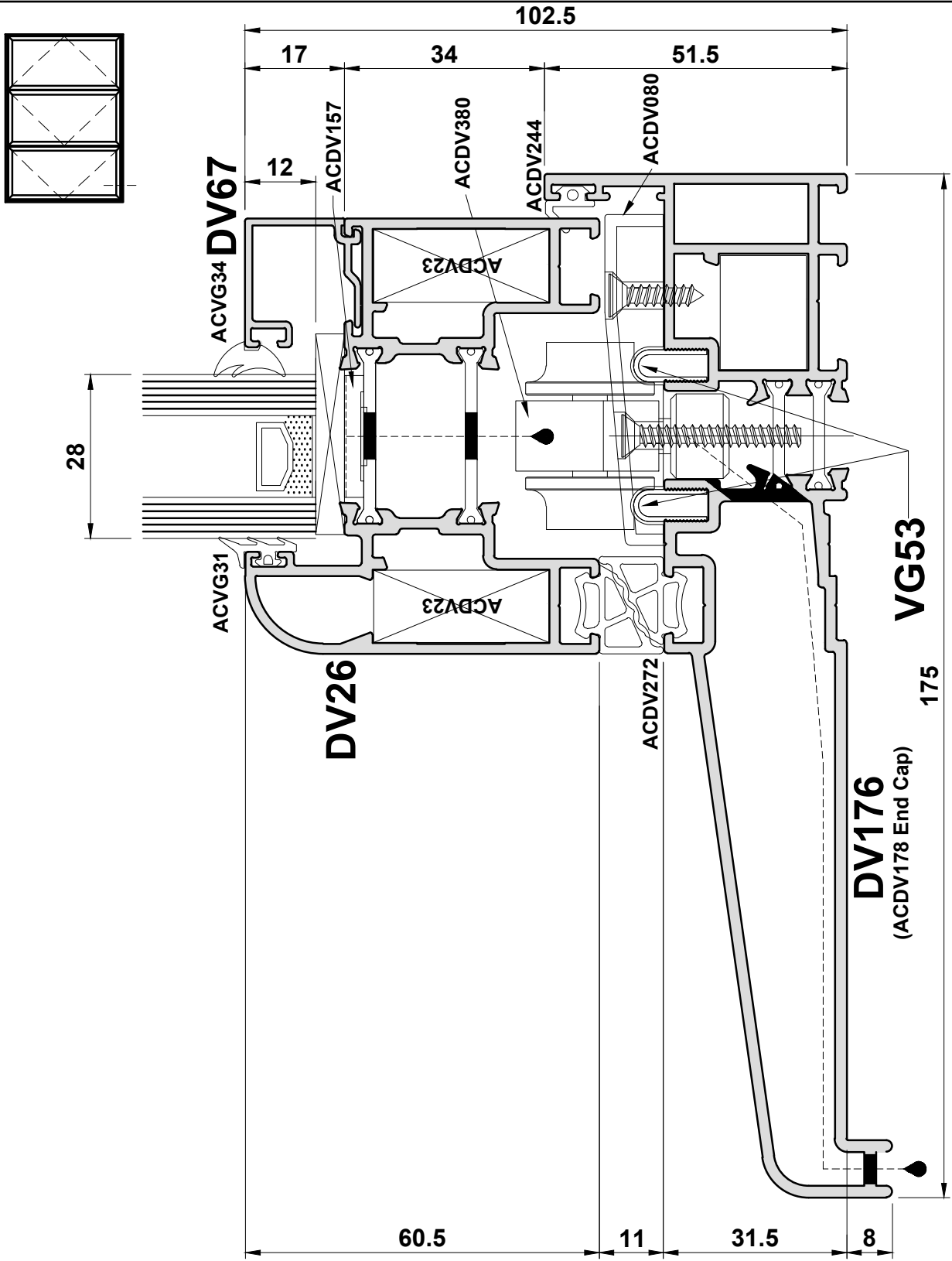
Do Not Scale From This Drawing

Open Out - Detail 5D



Do Not Scale From This Drawing

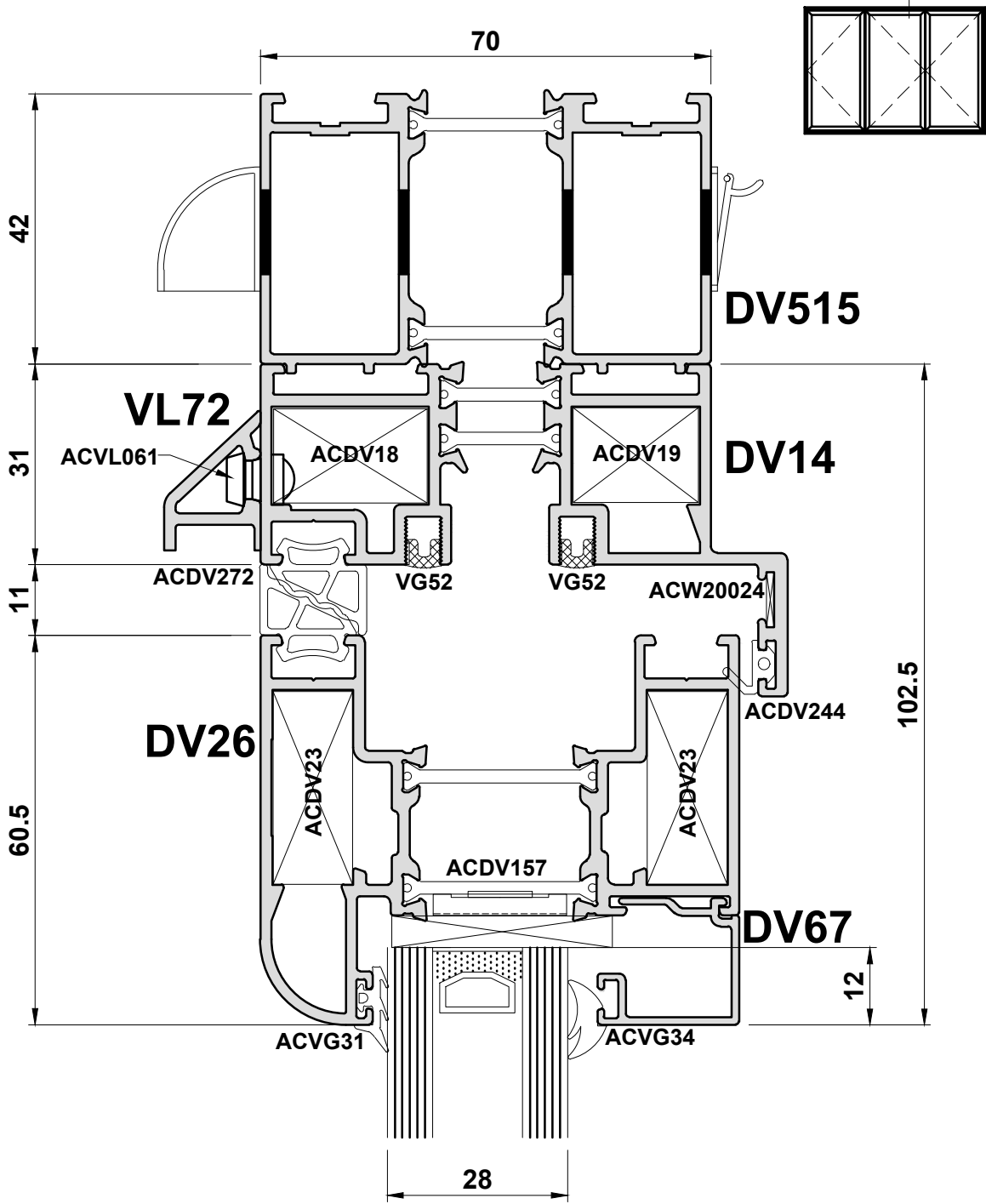
Open Out - Detail 5E



Do Not Scale From This Drawing

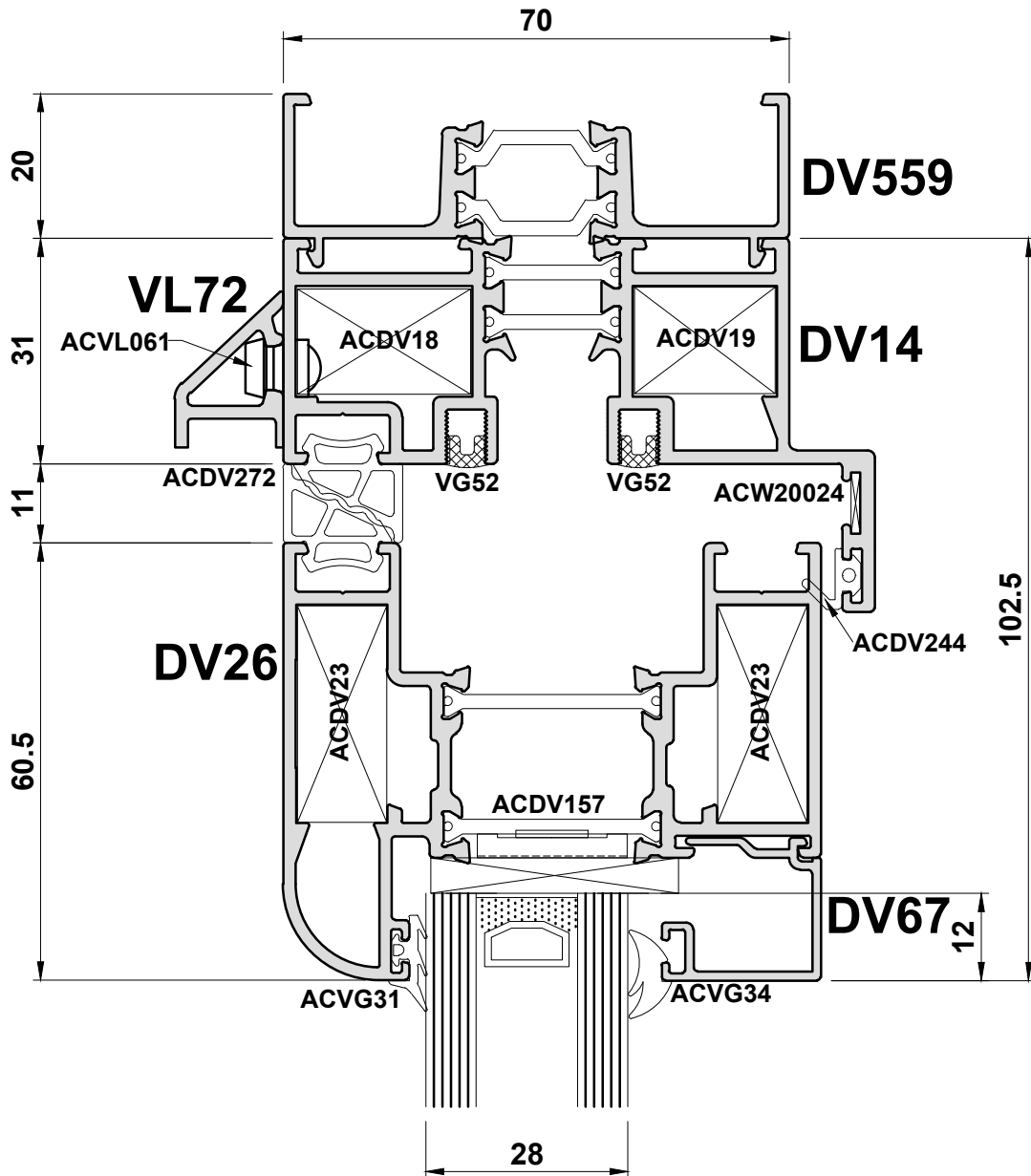
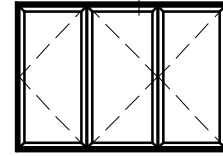
SECTIONS

Open Out - Detail 6A



Do Not Scale From This Drawing

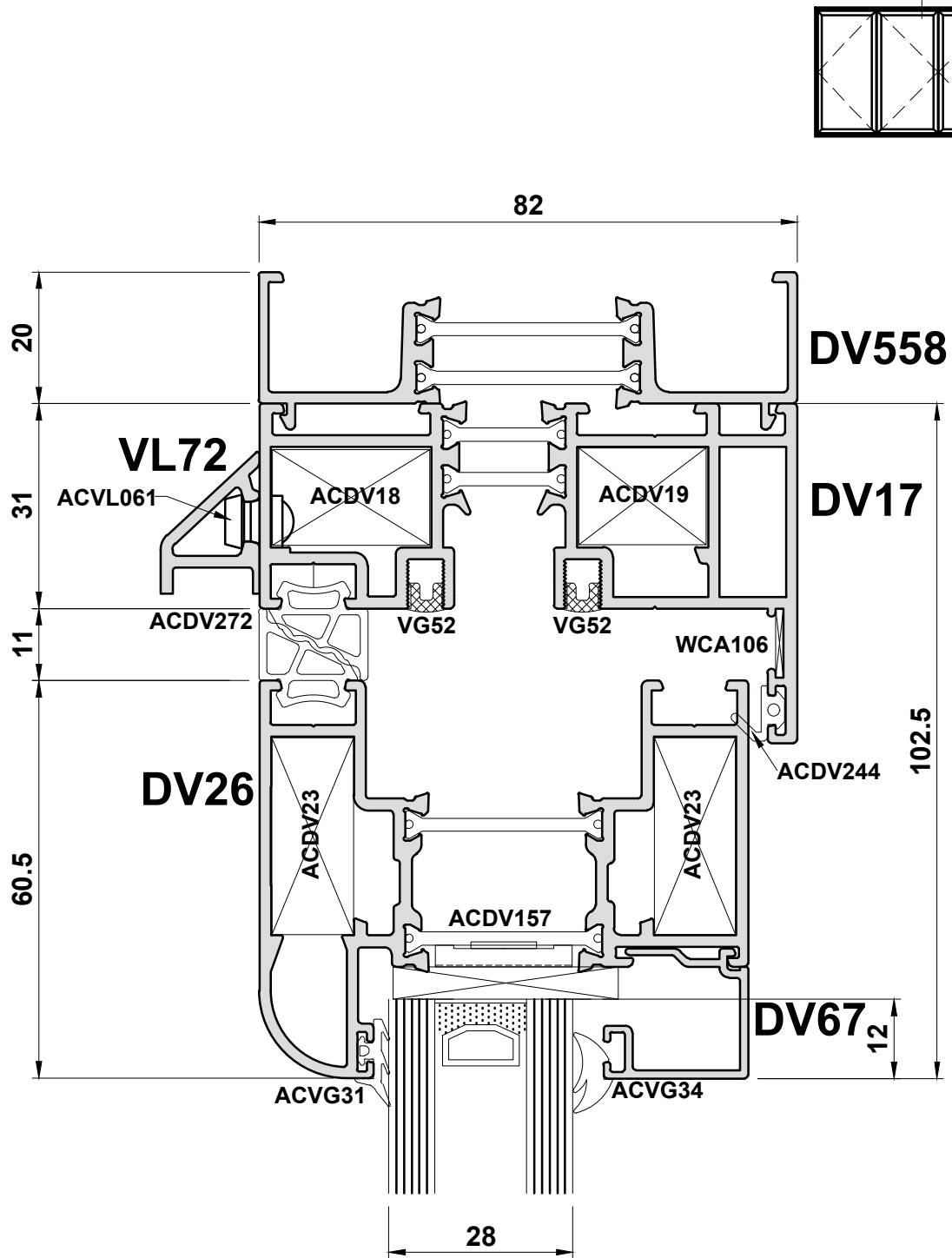
Open Out - Detail 6B



Do Not Scale From This Drawing

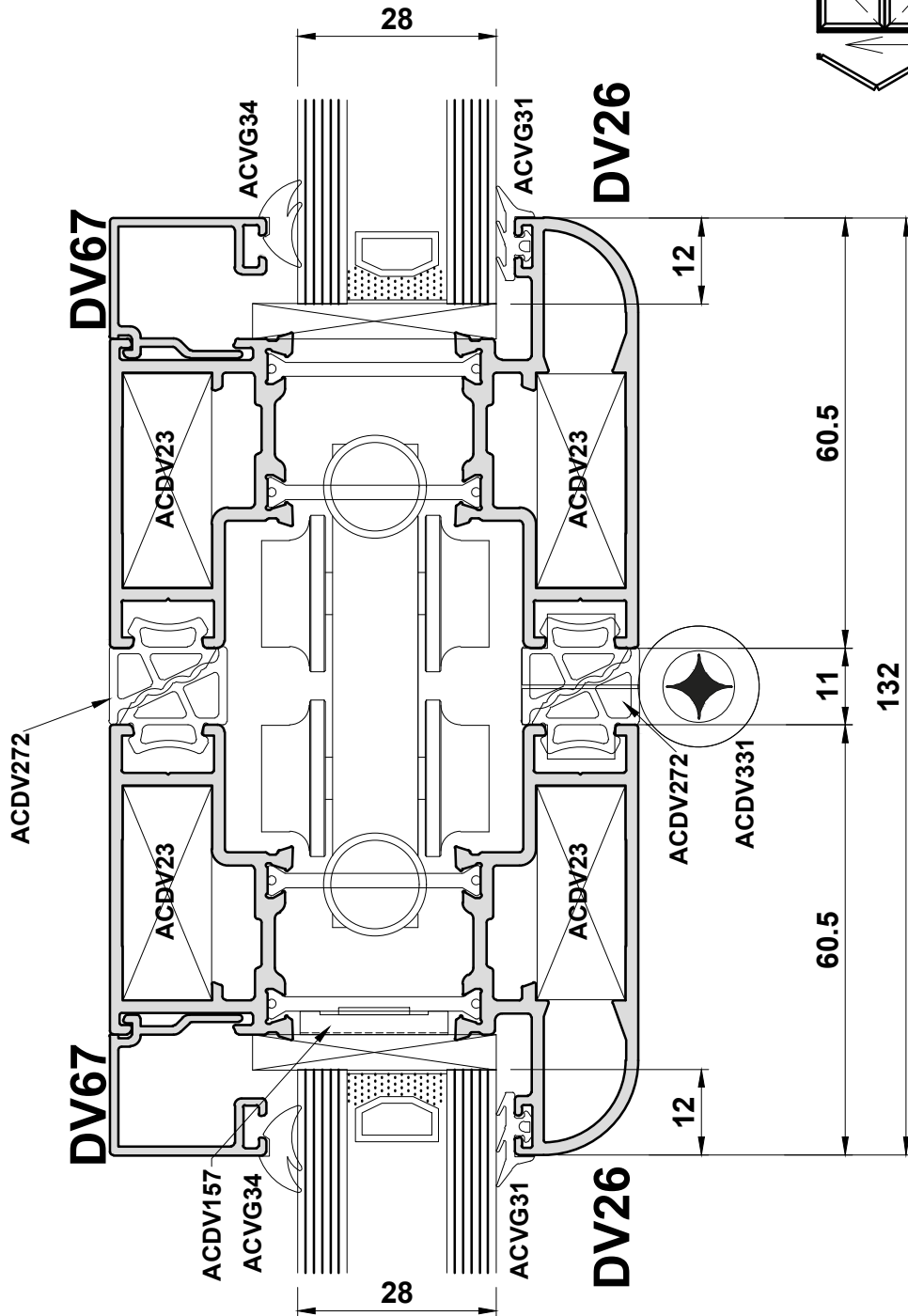
SECTIONS

Open Out - Detail 6C



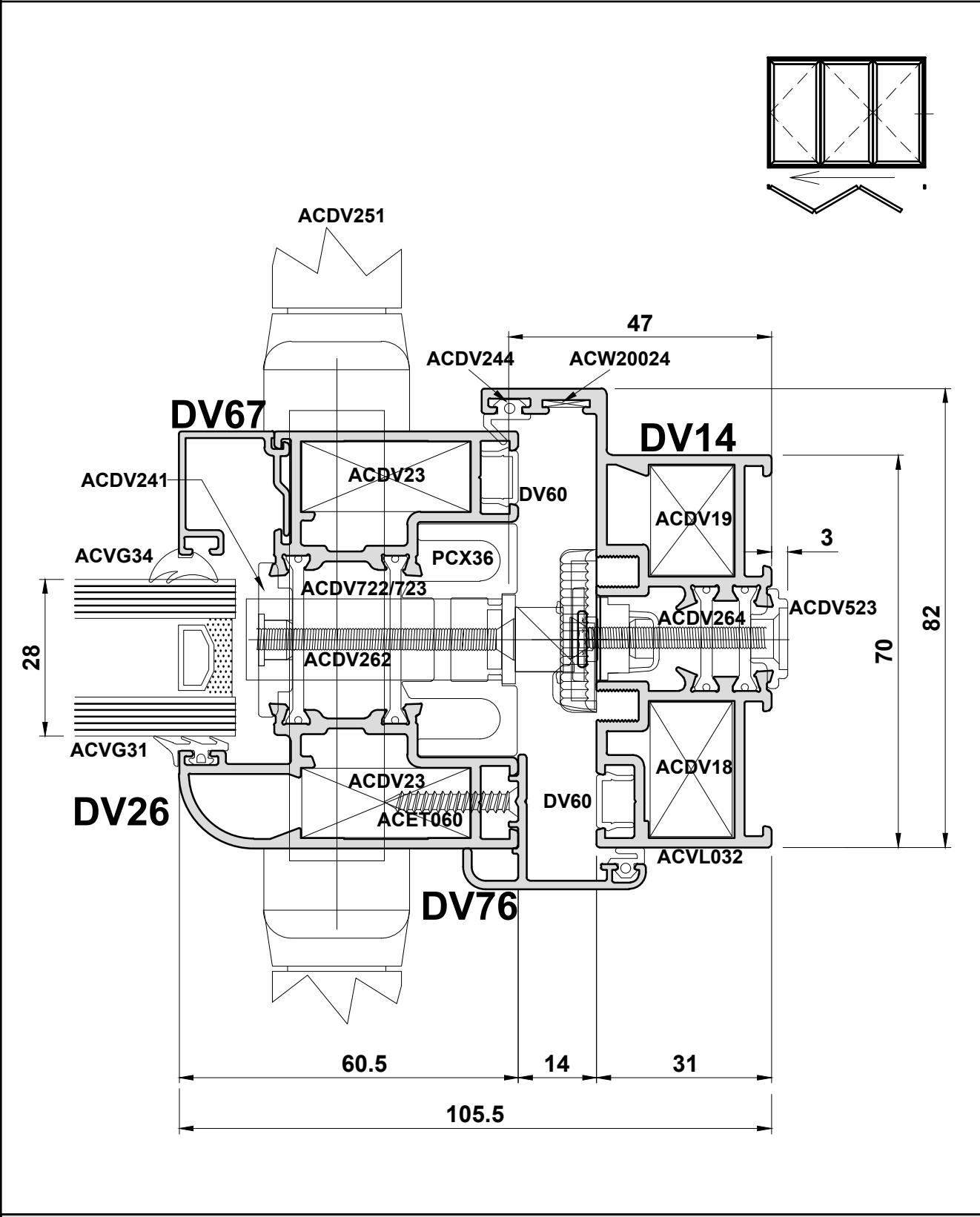
Do Not Scale From This Drawing

Open Out - Detail 7



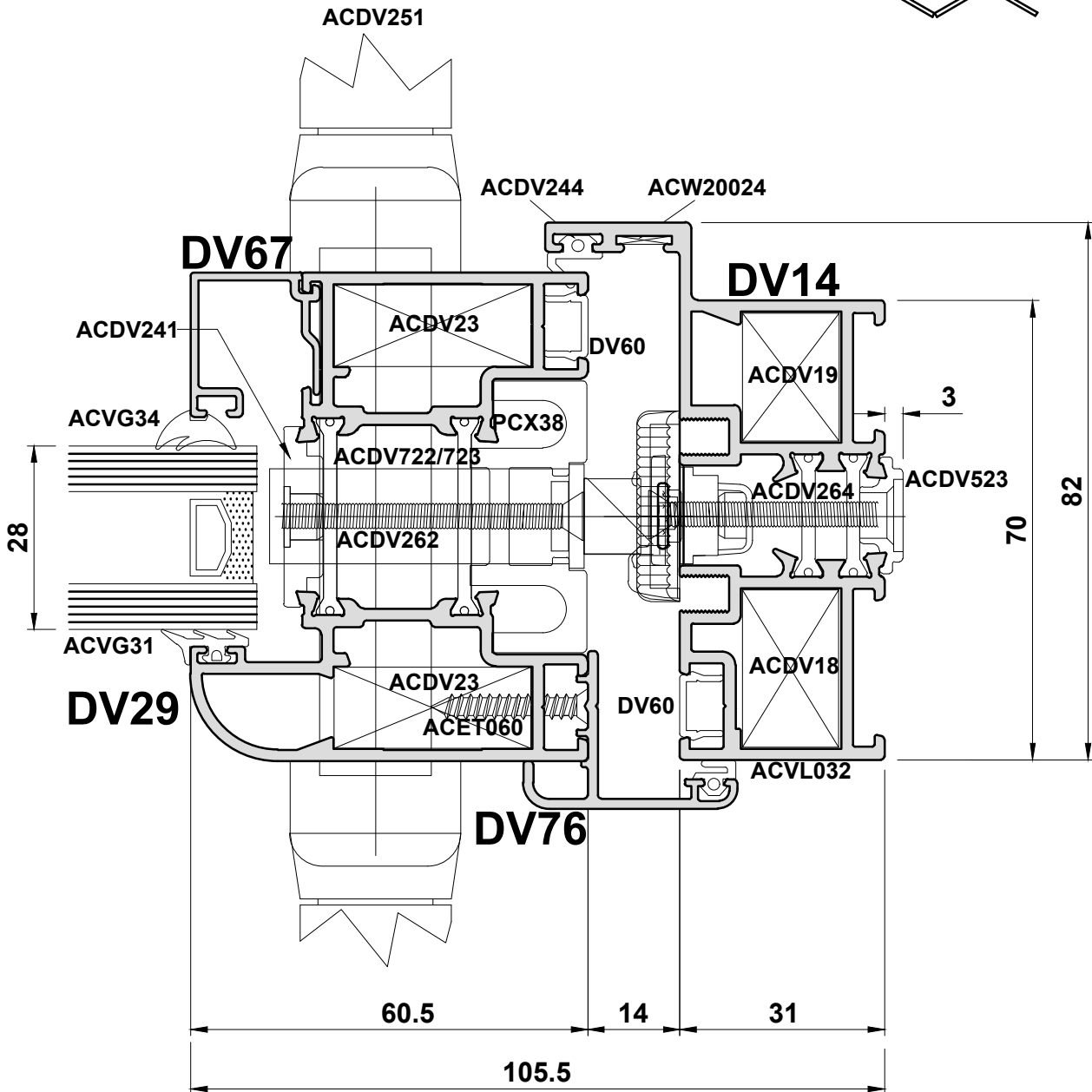
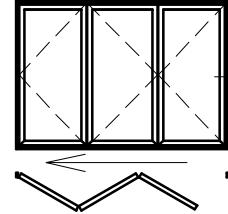
Do Not Scale From This Drawing

Open Out - Detail 8A



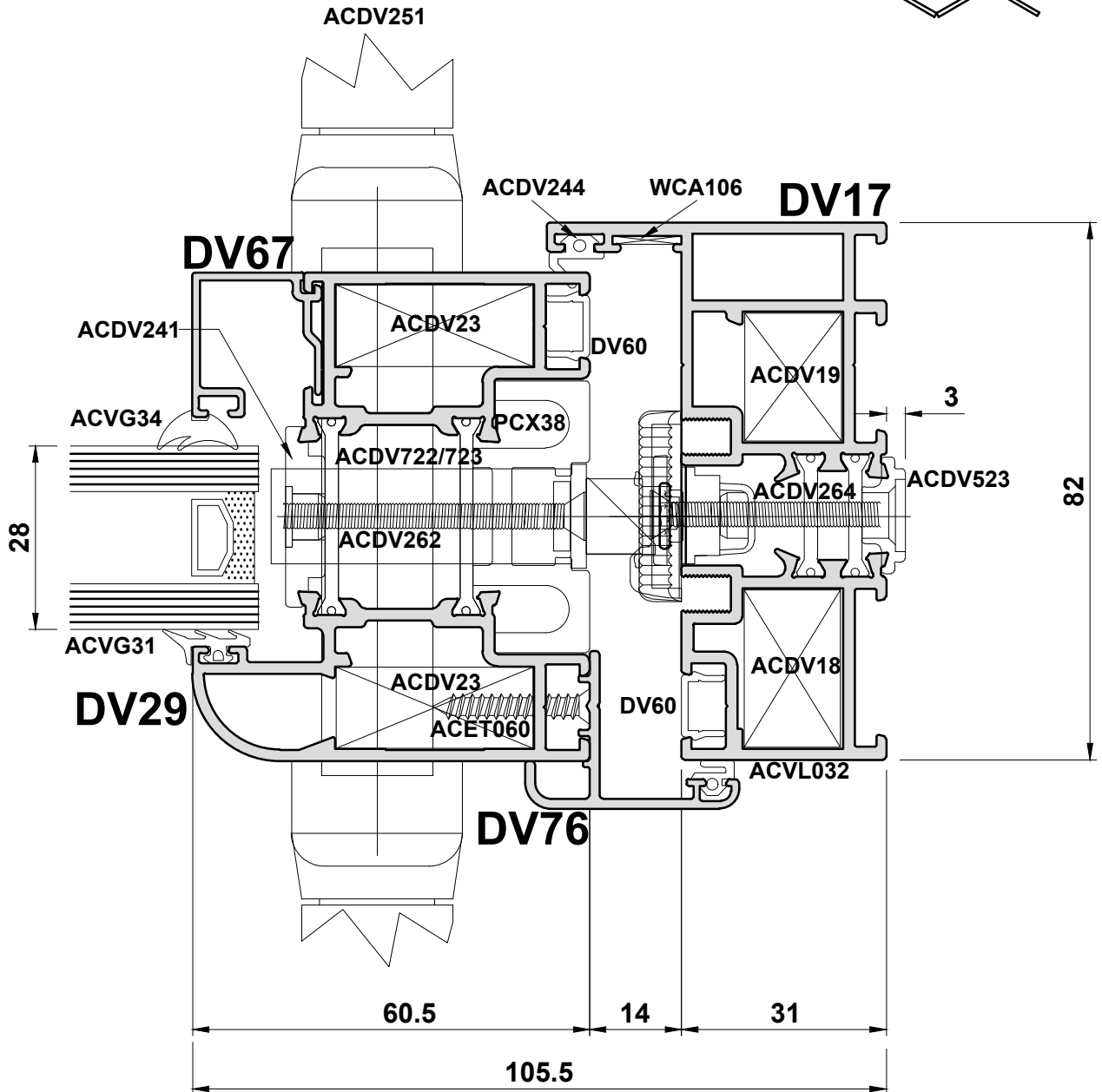
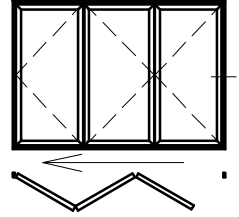
Do Not Scale From This Drawing

Open Out - Detail 8B



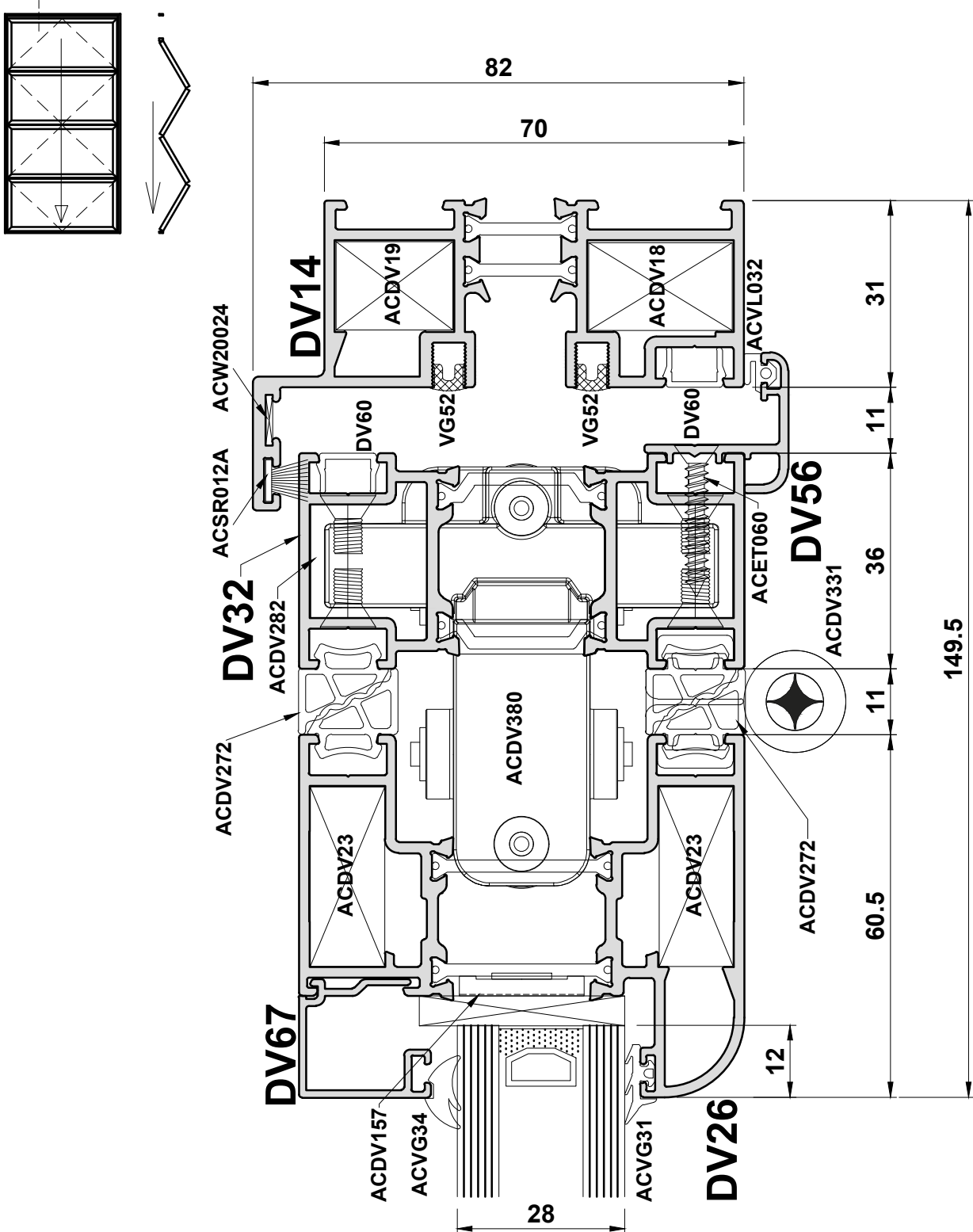
Do Not Scale From This Drawing

Open Out - Detail 8C



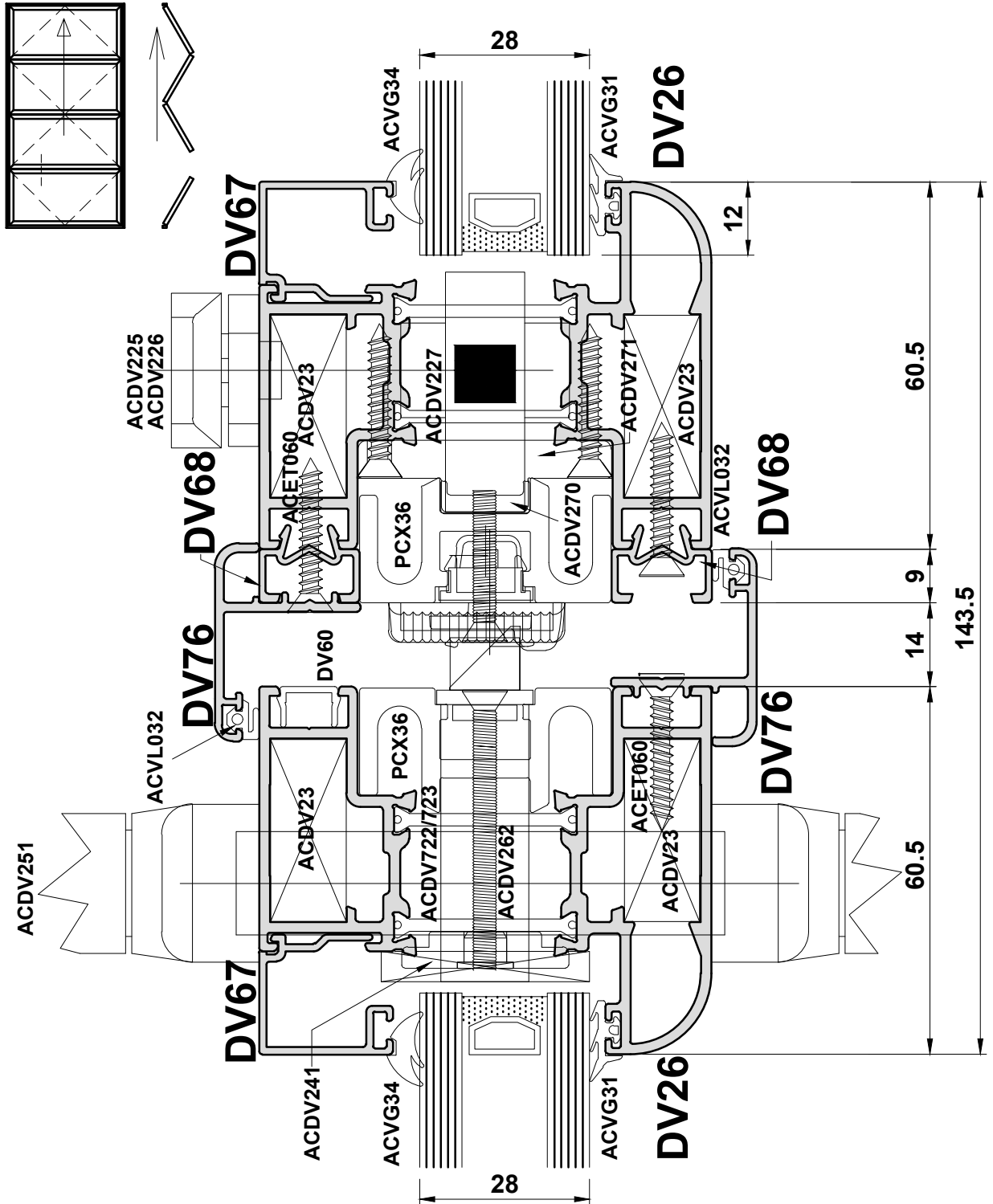
Do Not Scale From This Drawing

Open Out - Detail 9



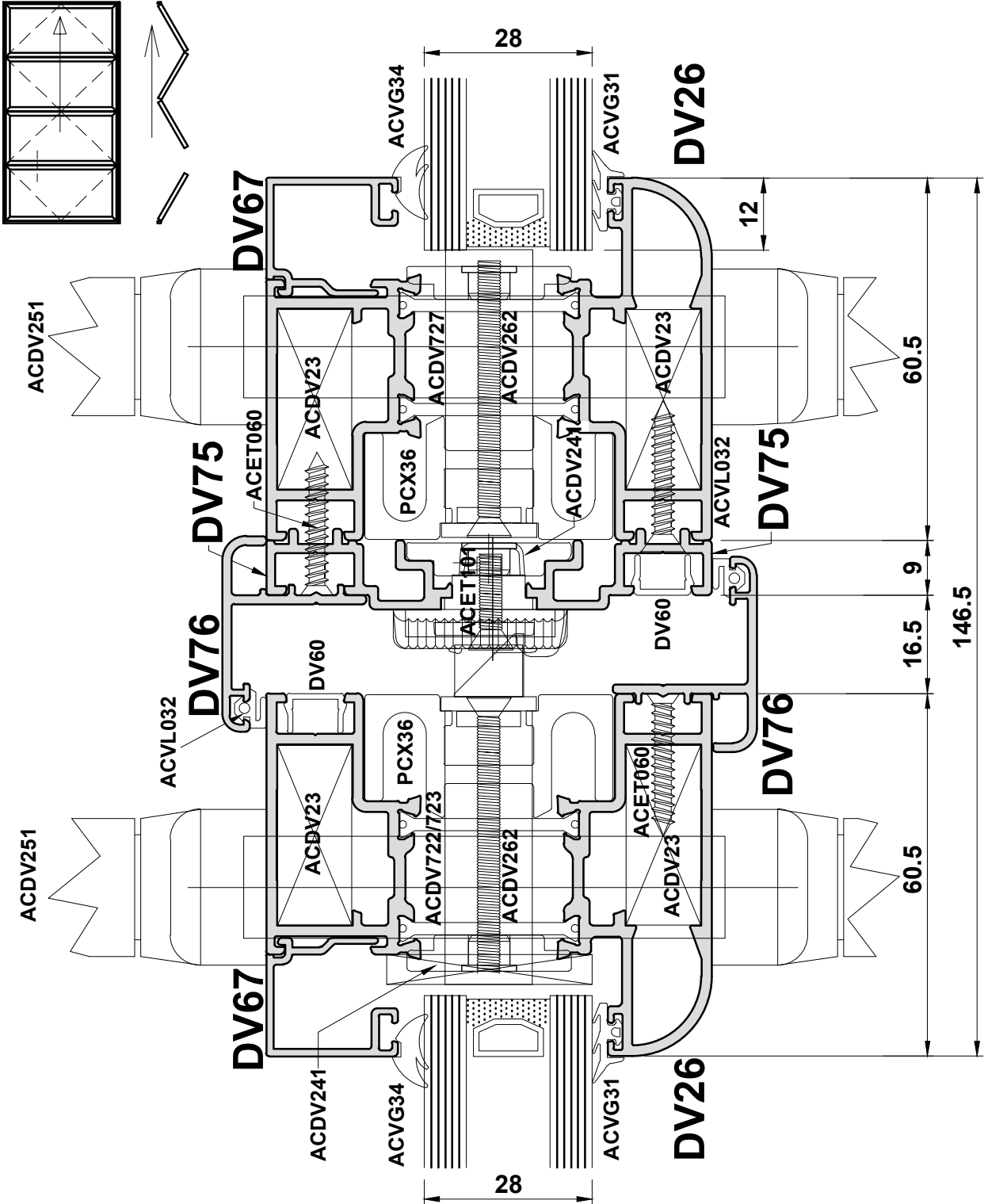
Do Not Scale From This Drawing

Open Out - Detail 10A



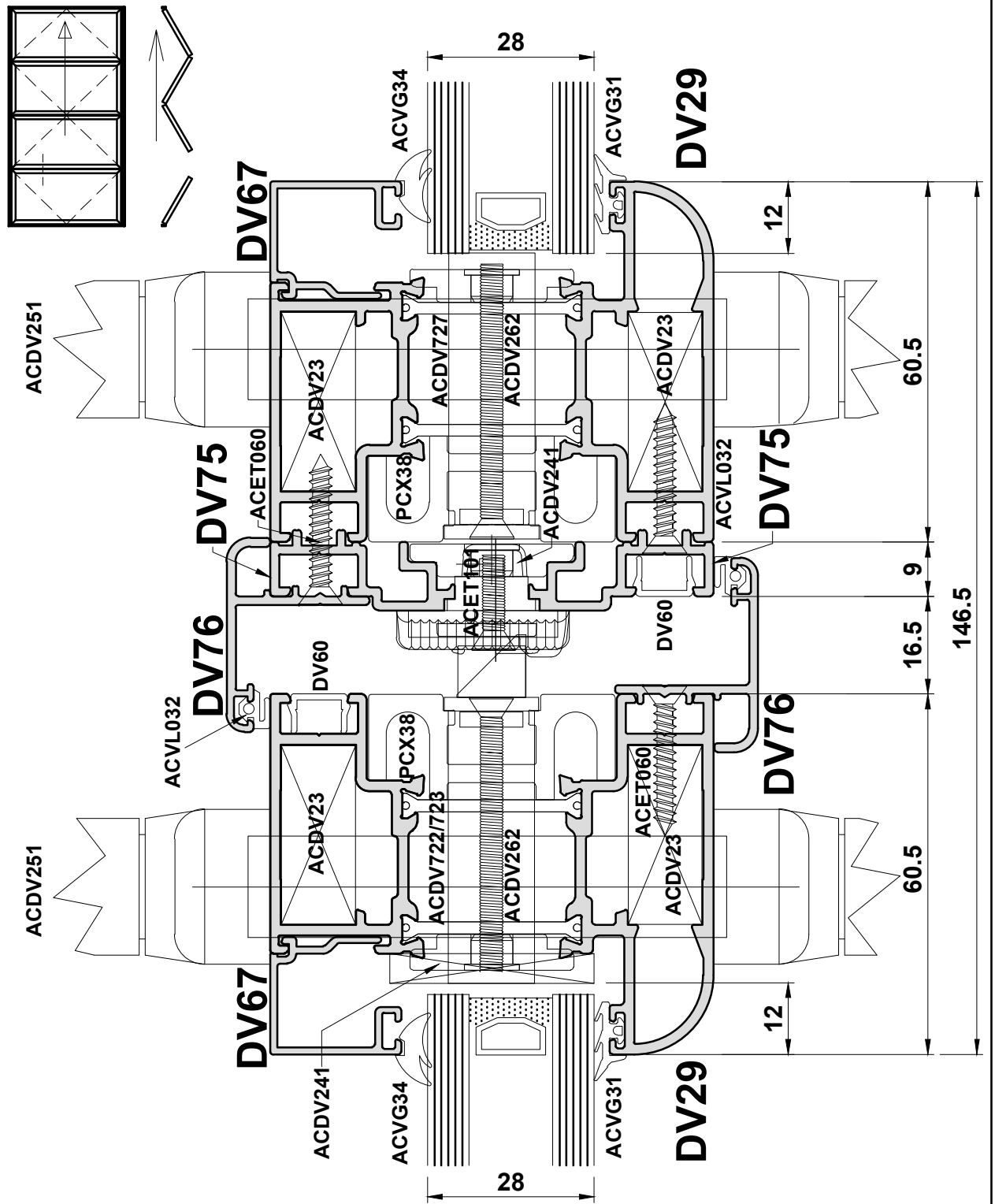
Do Not Scale From This Drawing

Open Out - Detail 10B



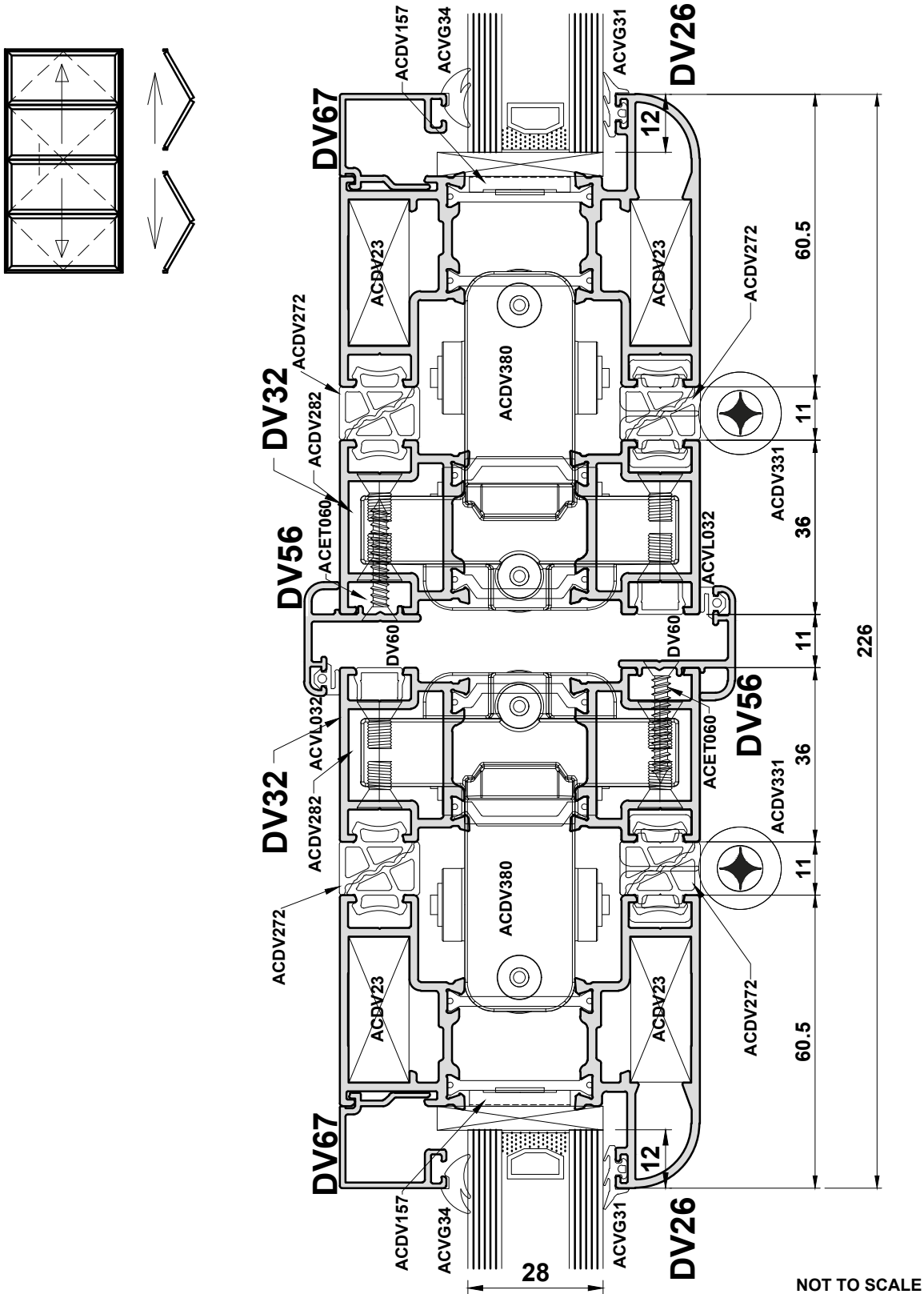
Do Not Scale From This Drawing

Open Out - Detail 10C



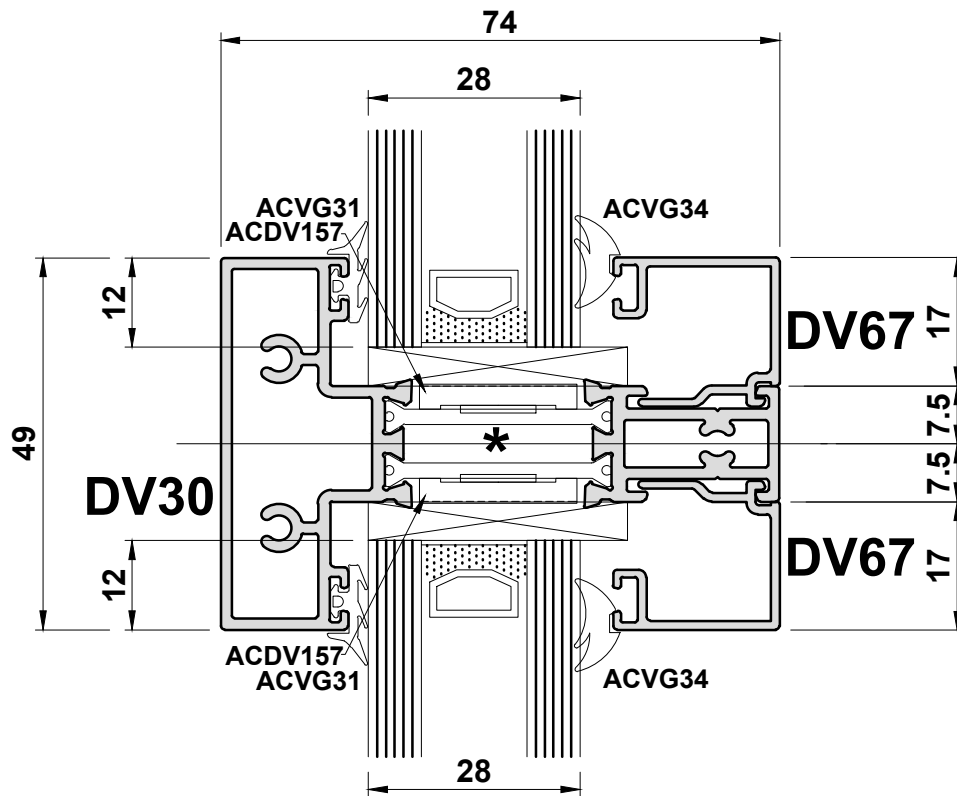
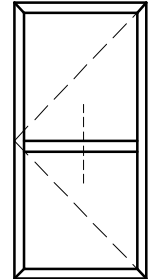
Do Not Scale From This Drawing

Open Out - Detail 11



Do Not Scale From This Drawing

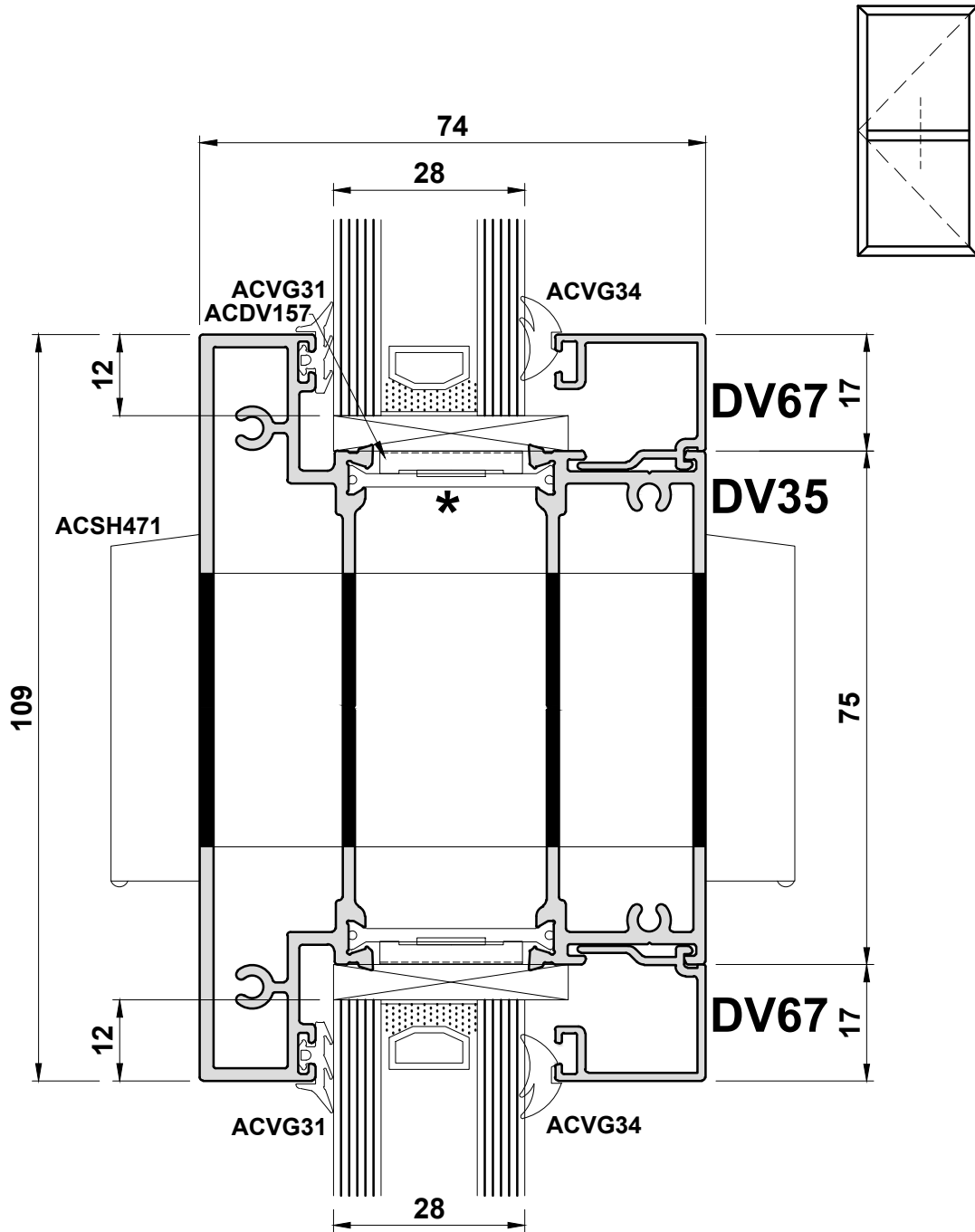
Open Out - Detail 12A



* Drained at join to stile

Do Not Scale From This Drawing

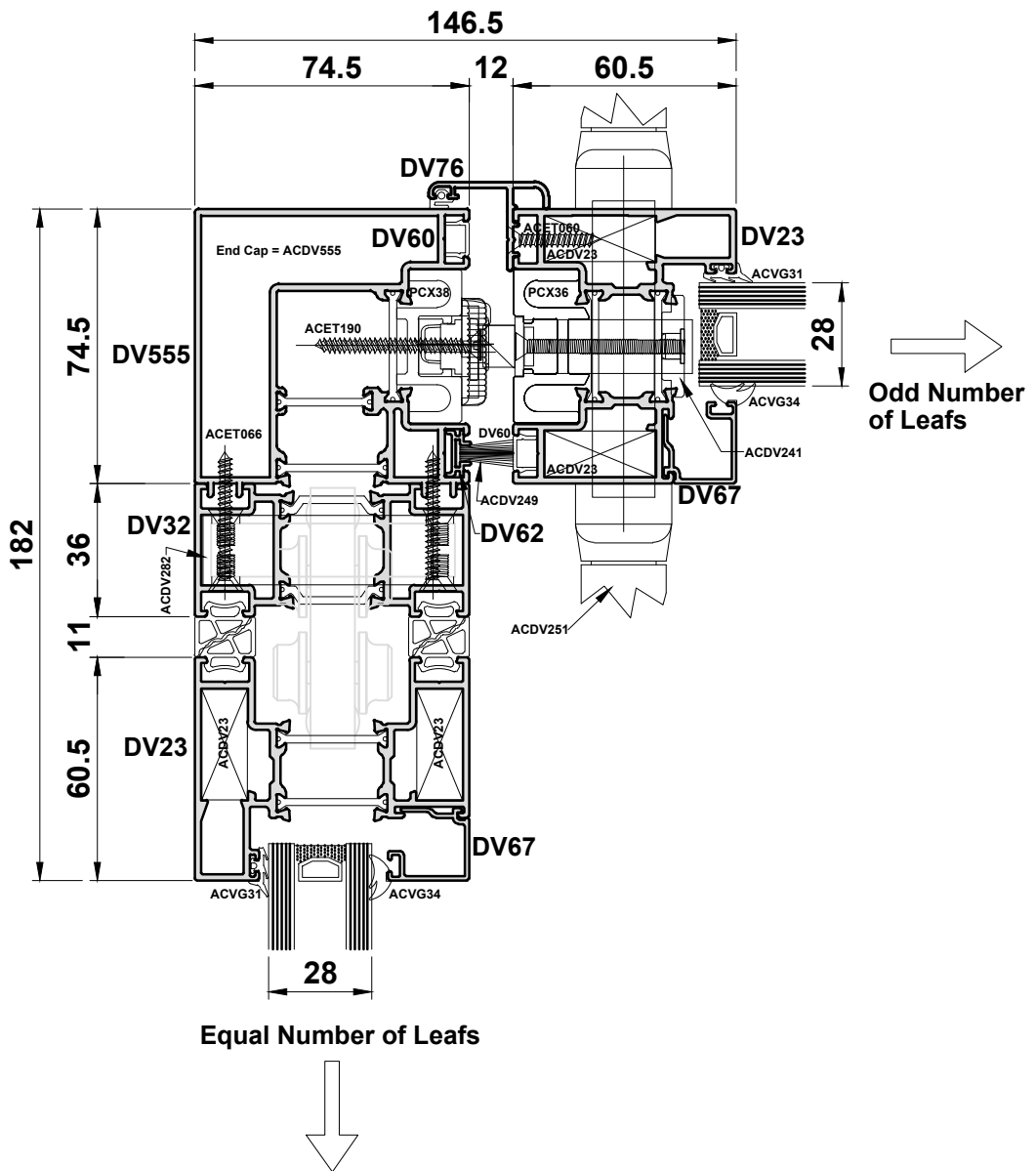
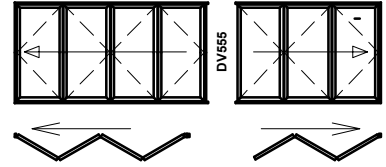
Open Out - Detail 12B



* Drained at join to stile

Do Not Scale From This Drawing

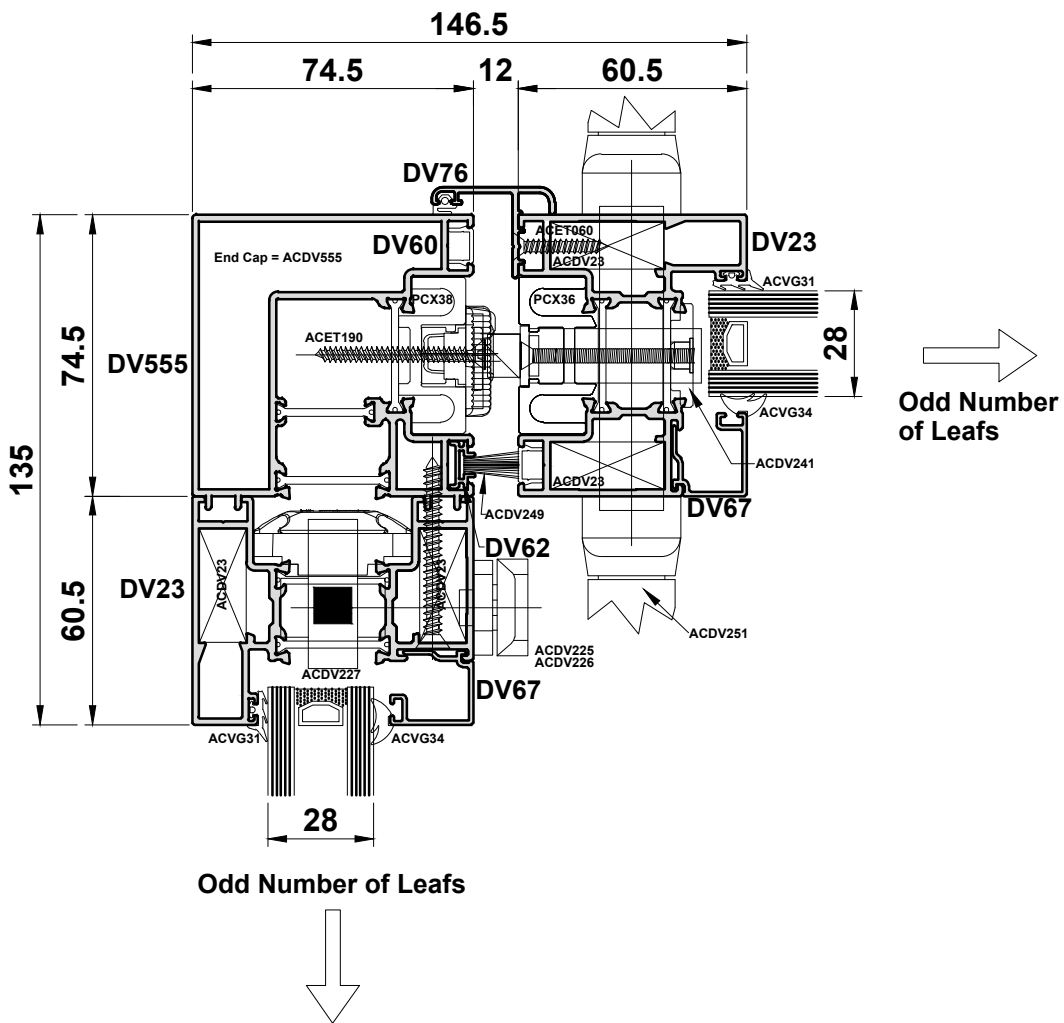
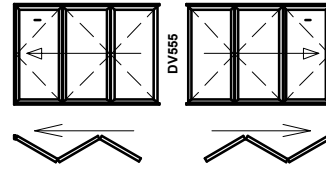
Open Out - Detail 13A



NOT TO SCALE

Do Not Scale From This Drawing

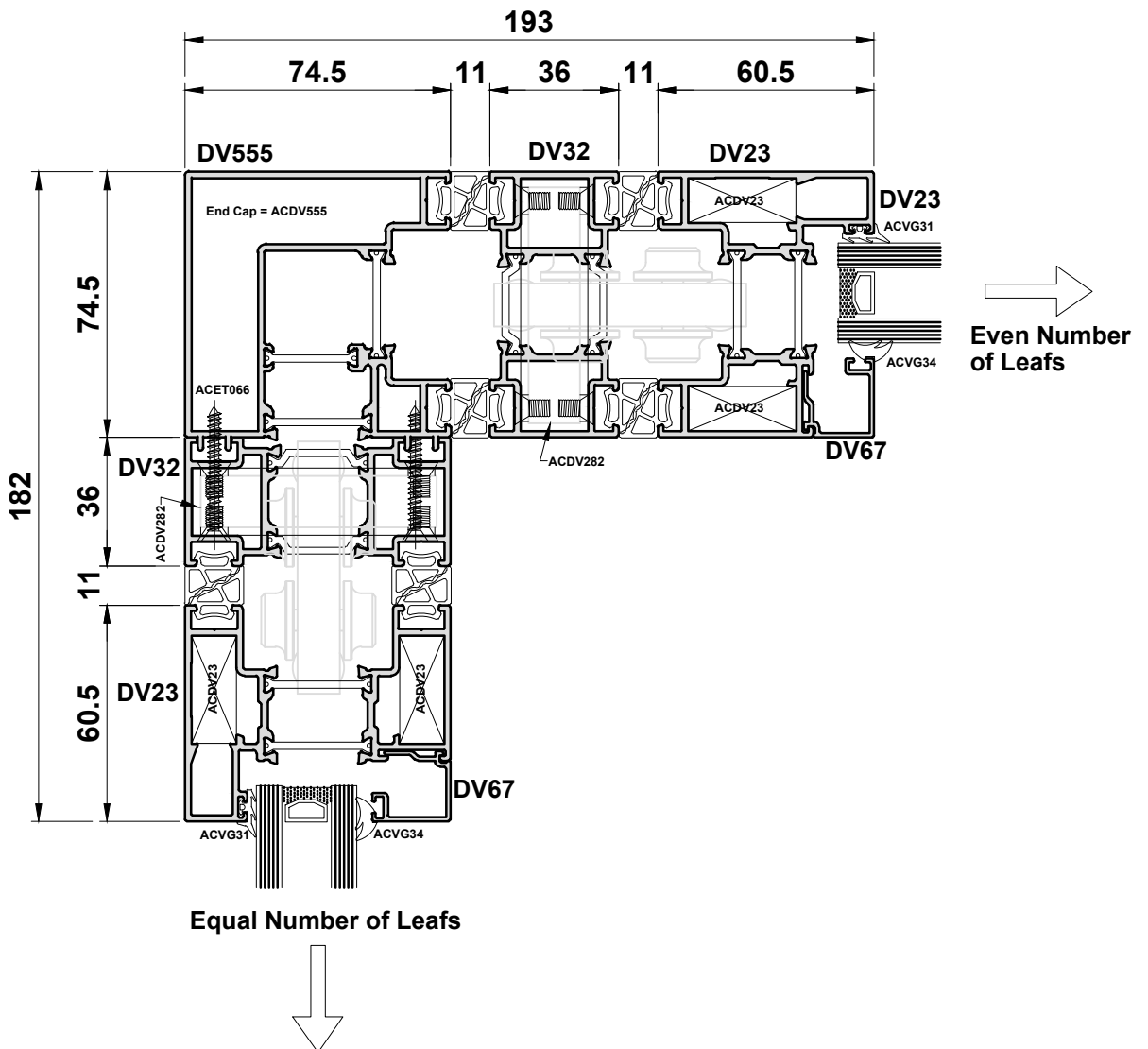
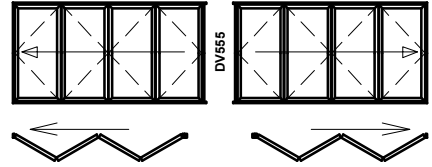
Open Out - Detail 13B



NOT TO SCALE

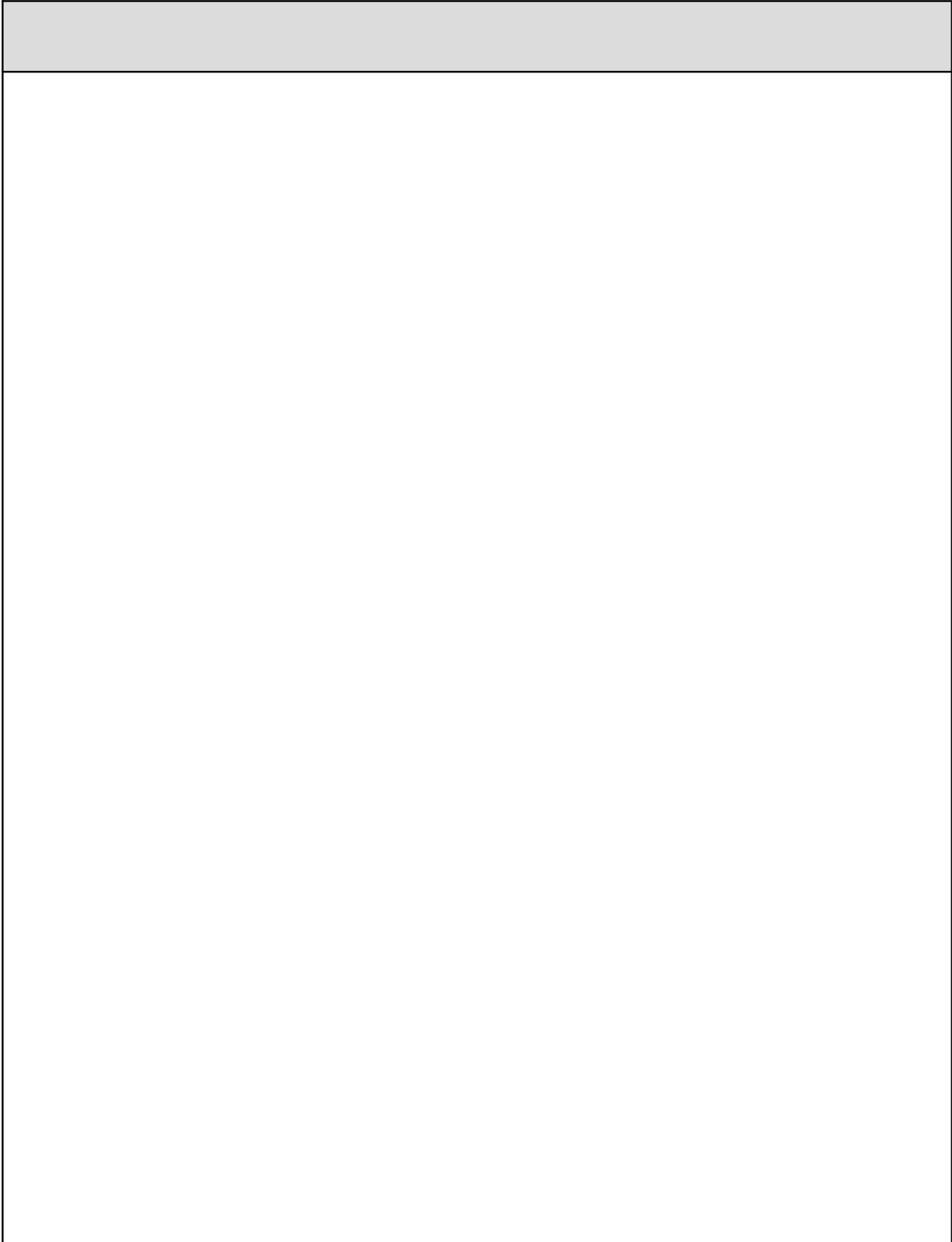
Do Not Scale From This Drawing

Open Out - Detail 13C



NOT TO SCALE

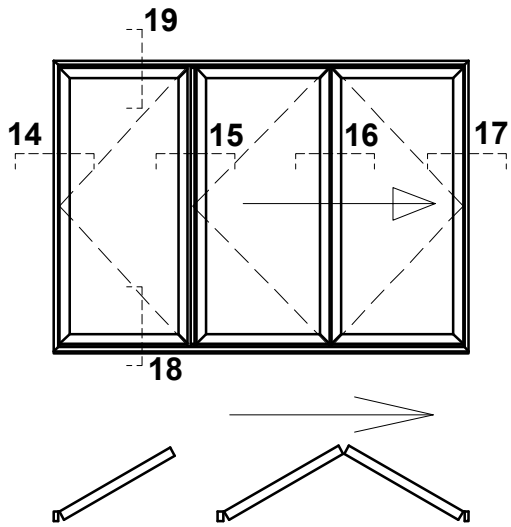
Do Not Scale From This Drawing



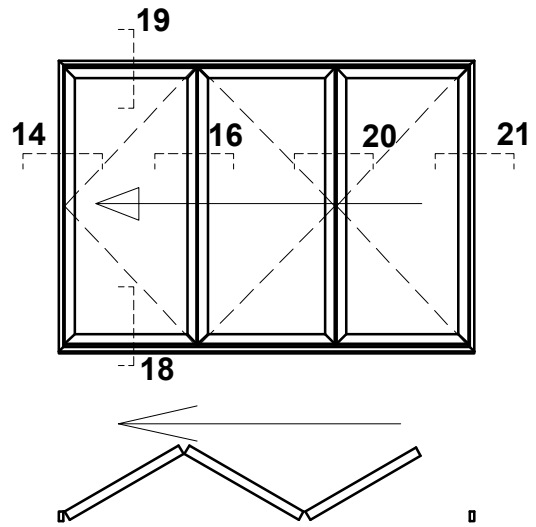
Do Not Scale From This Drawing

Open In - Scale Elevations

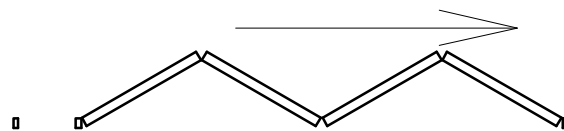
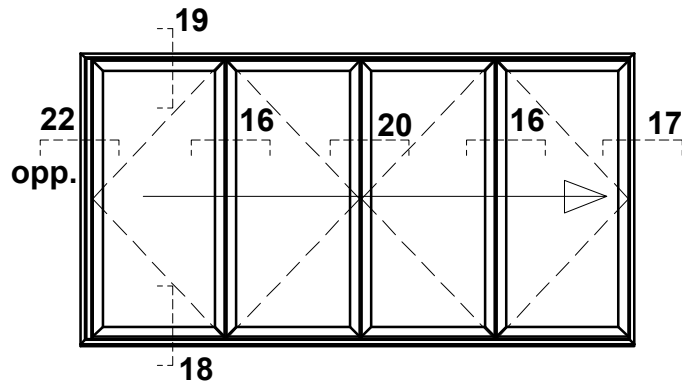
Type 1i



Type 2i



Type 3i

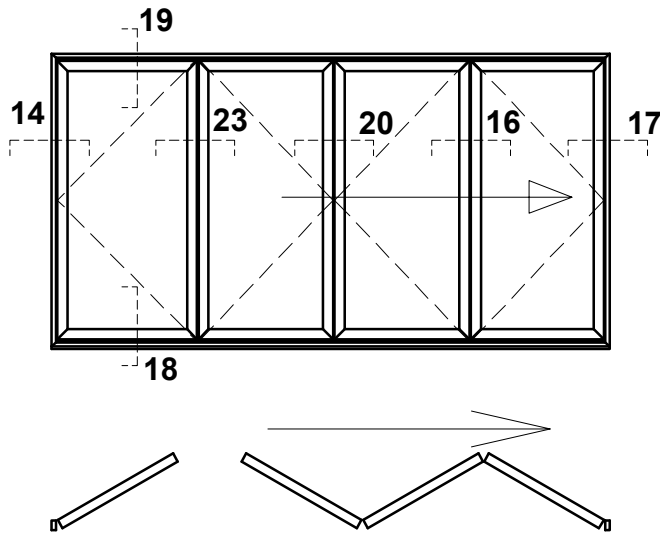


No External Access Or Traffic Door With This Design

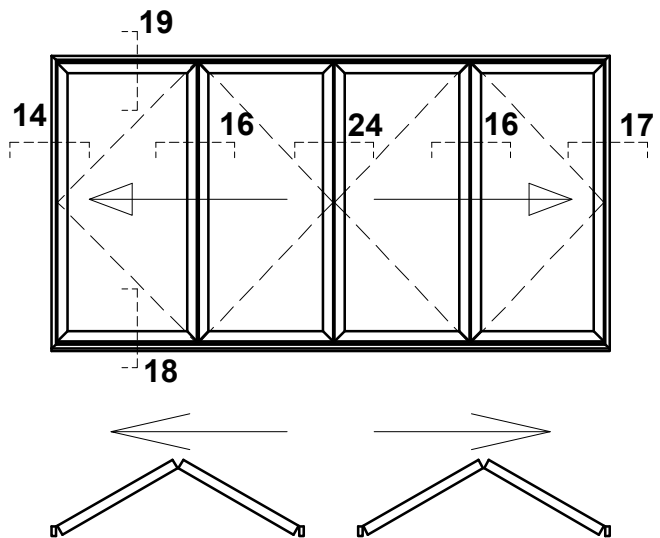
Do Not Scale From This Drawing

Open In - Scale Elevations

Type 4i



Type 5i

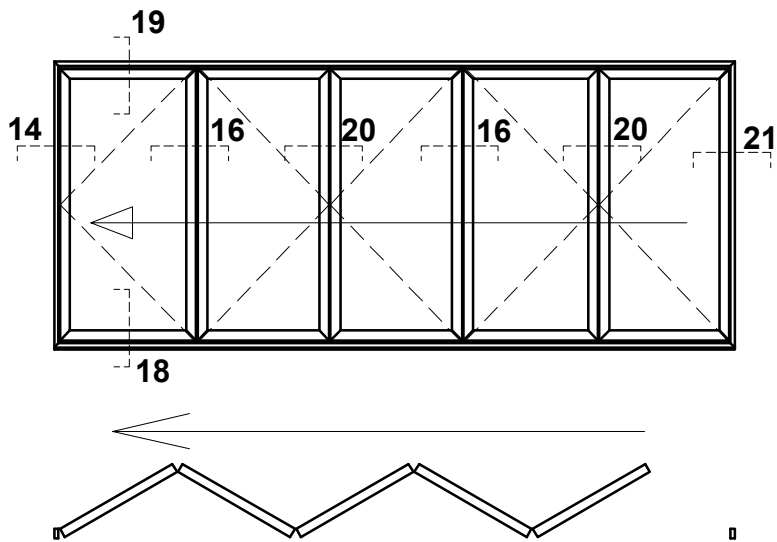


No External Access Or Traffic Door With This Design

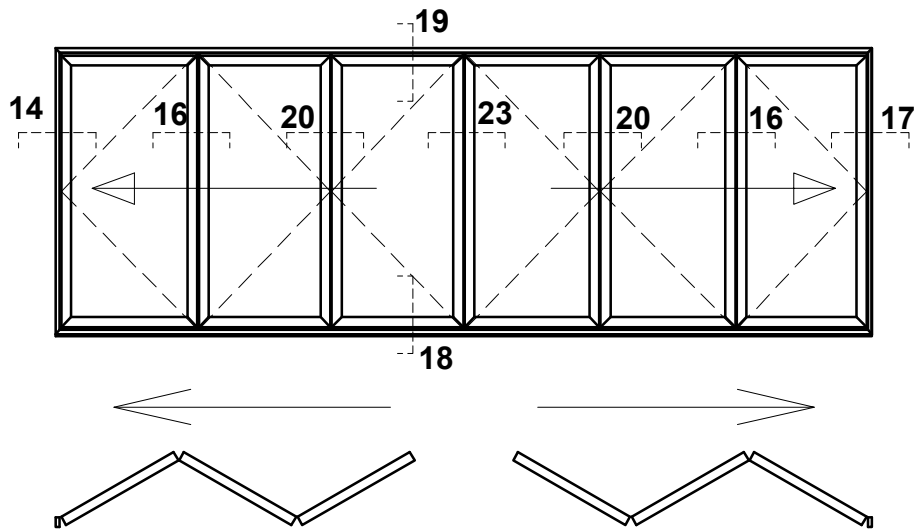
Do Not Scale From This Drawing

Open In - Scale Elevations

Type 6i



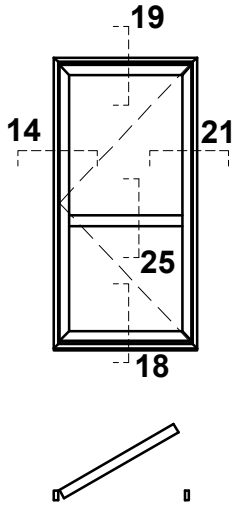
Type 7i



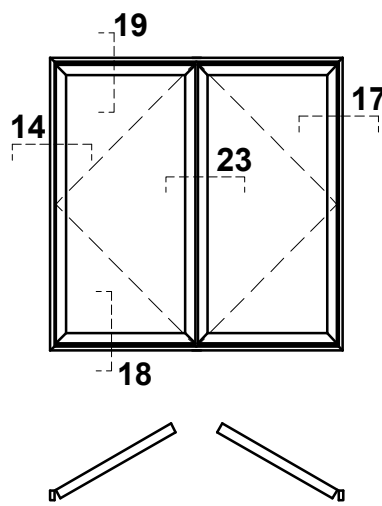
Do Not Scale From This Drawing

Open In - Scale Elevations

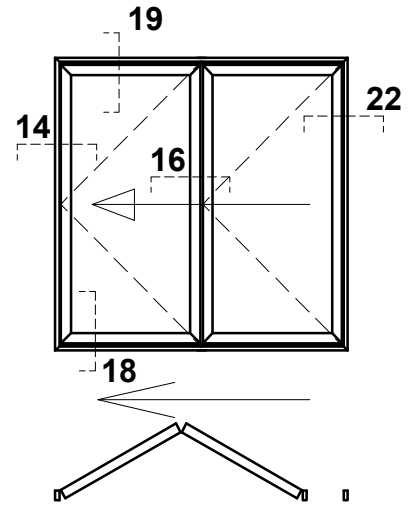
Single Swing Door



Double Swing Door

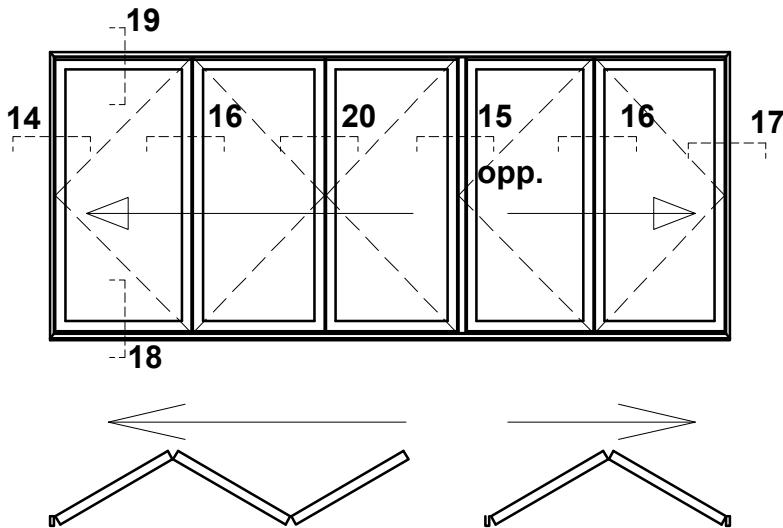


Double Slide Door



No External Access Or Traffic Door With This Design

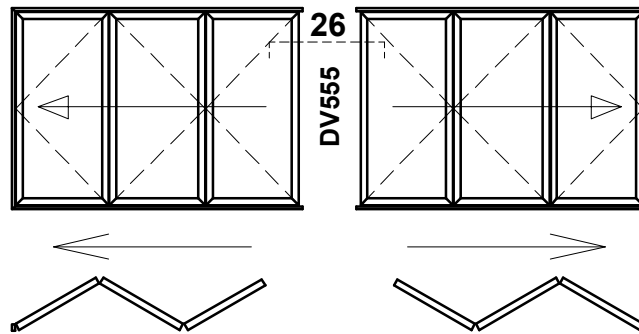
3/2 Split Door



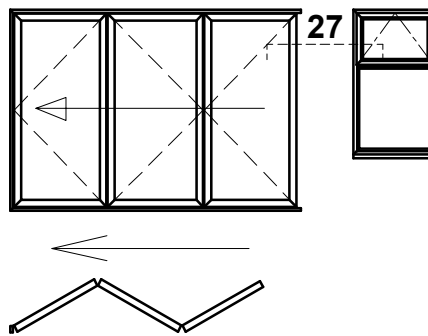
Do Not Scale From This Drawing

Open In - Scale Elevations

Removable 90° Corner Post Configurations

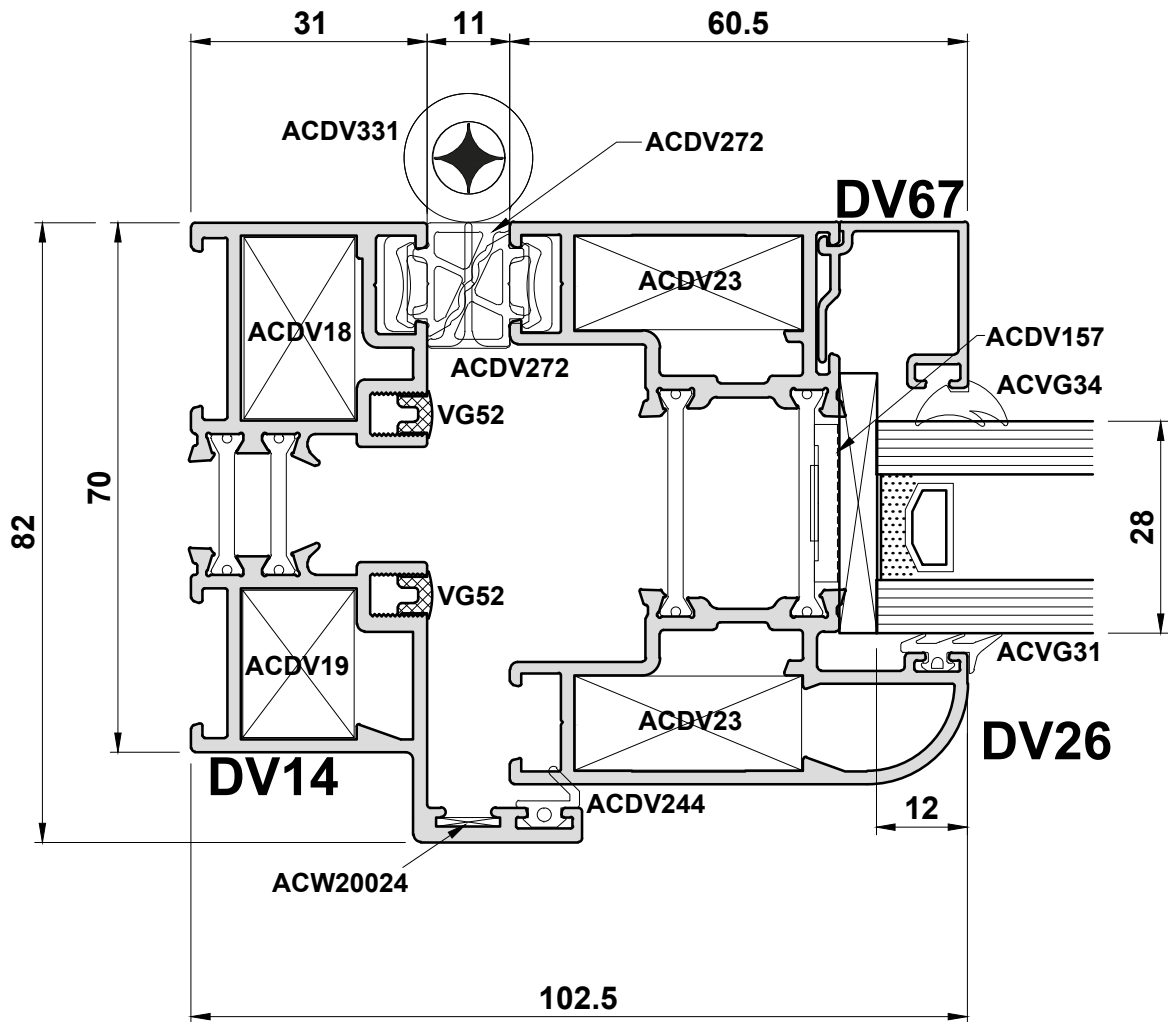
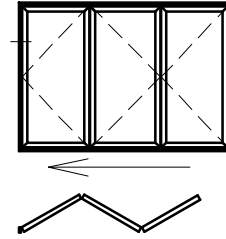


90° Corner Post



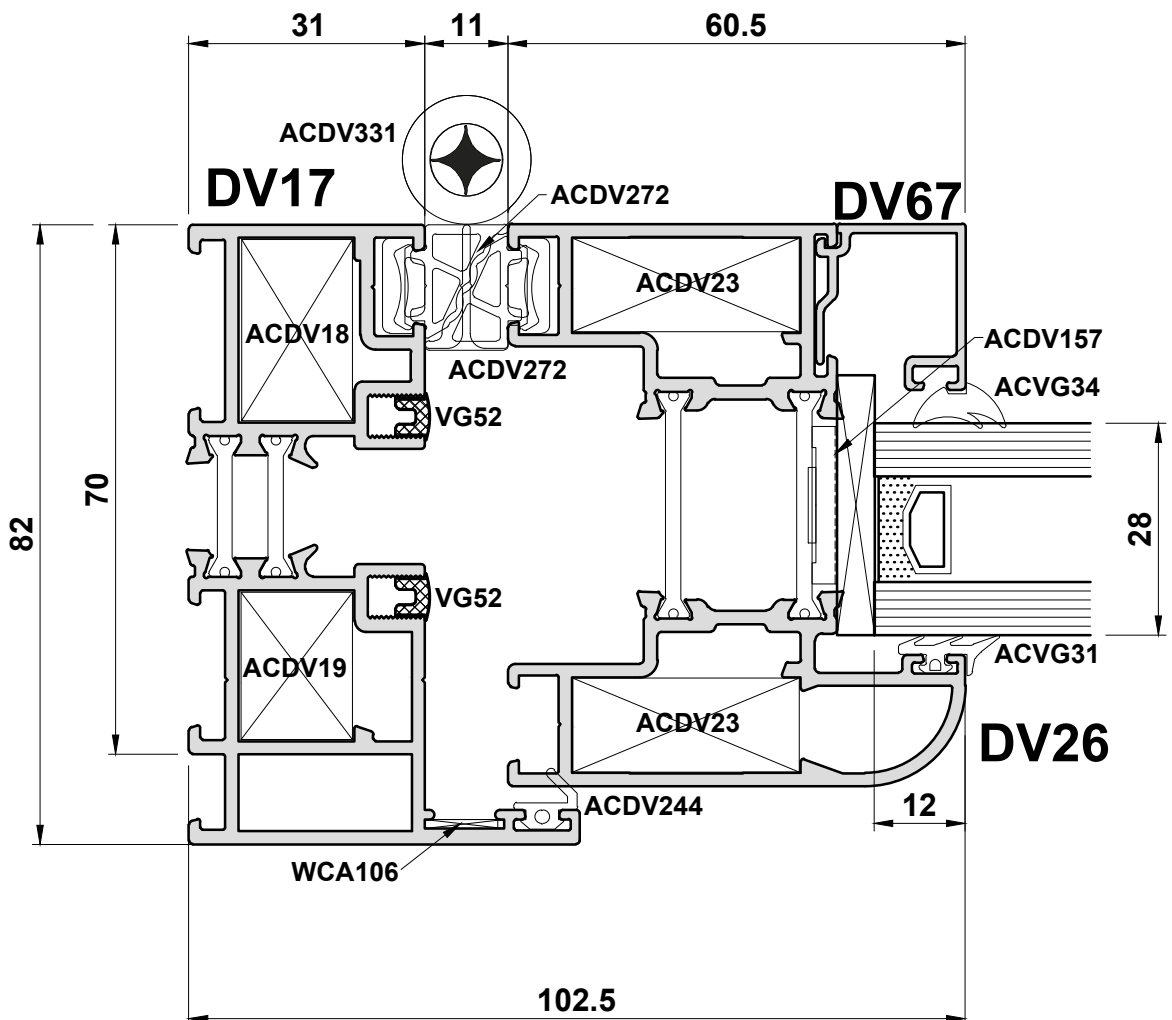
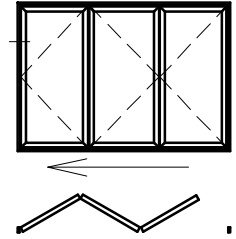
Do Not Scale From This Drawing

Open In - Detail 14A



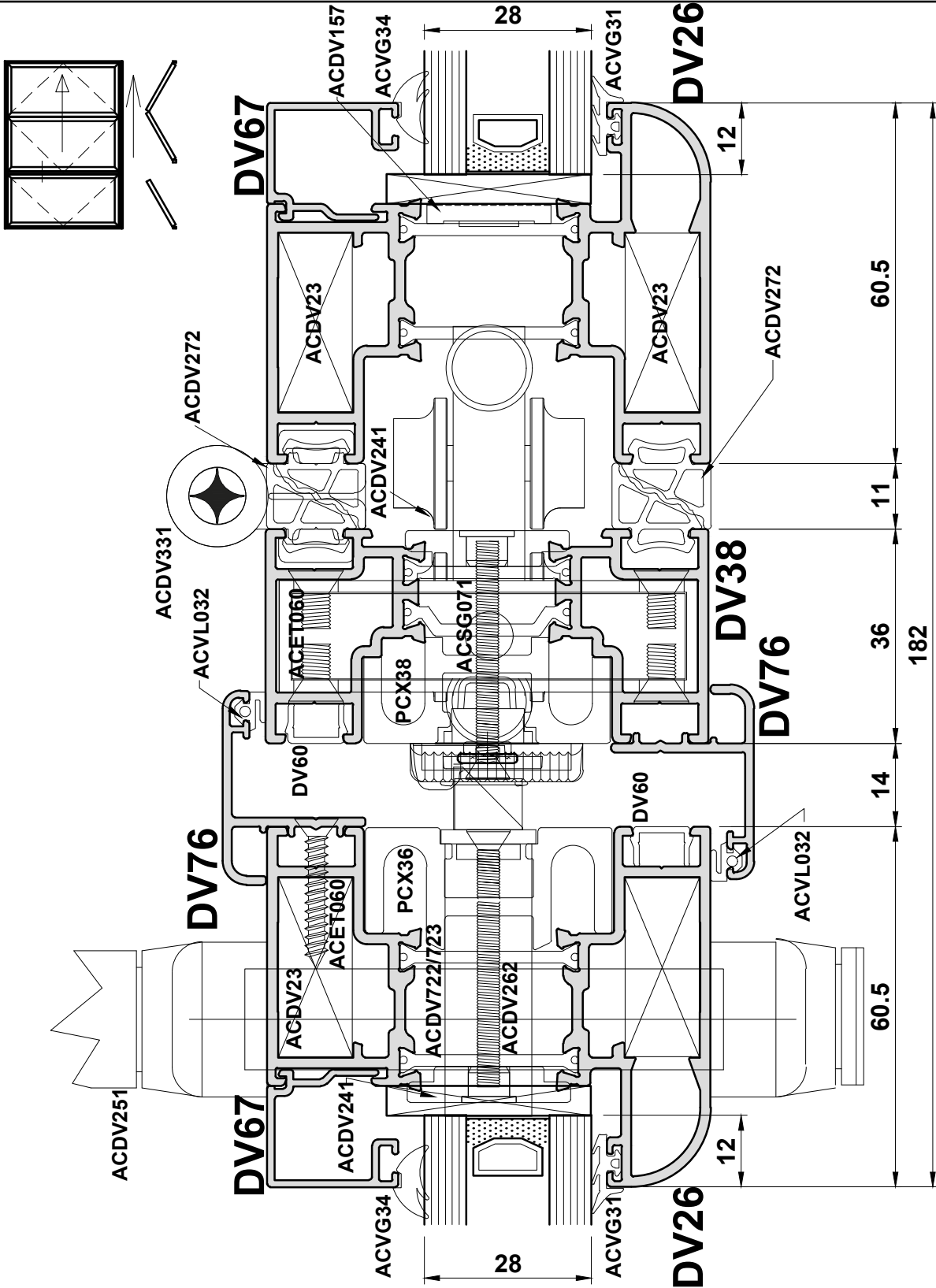
Do Not Scale From This Drawing

Open In - Detail 14B



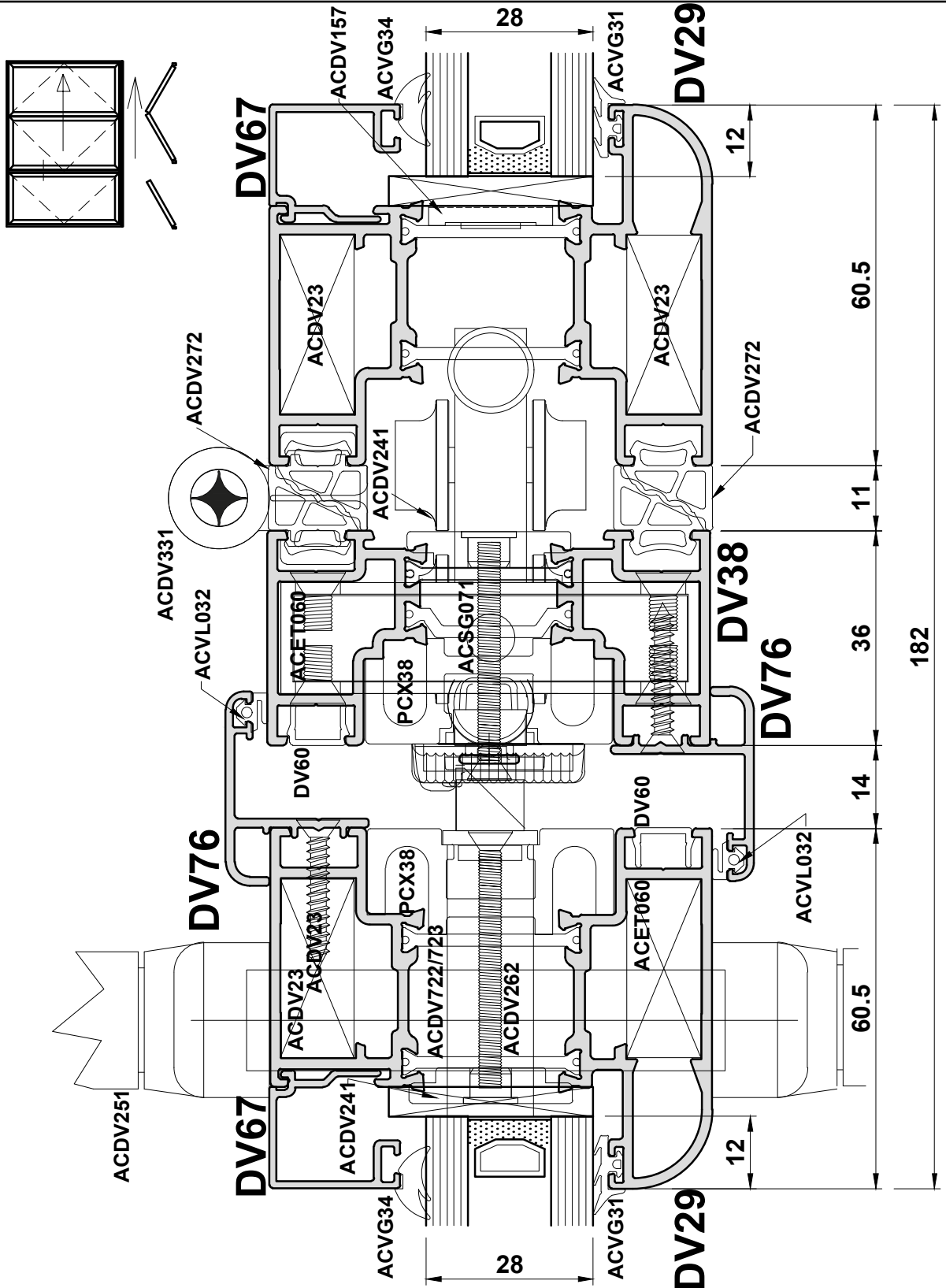
Do Not Scale From This Drawing

Open In - Detail 15A



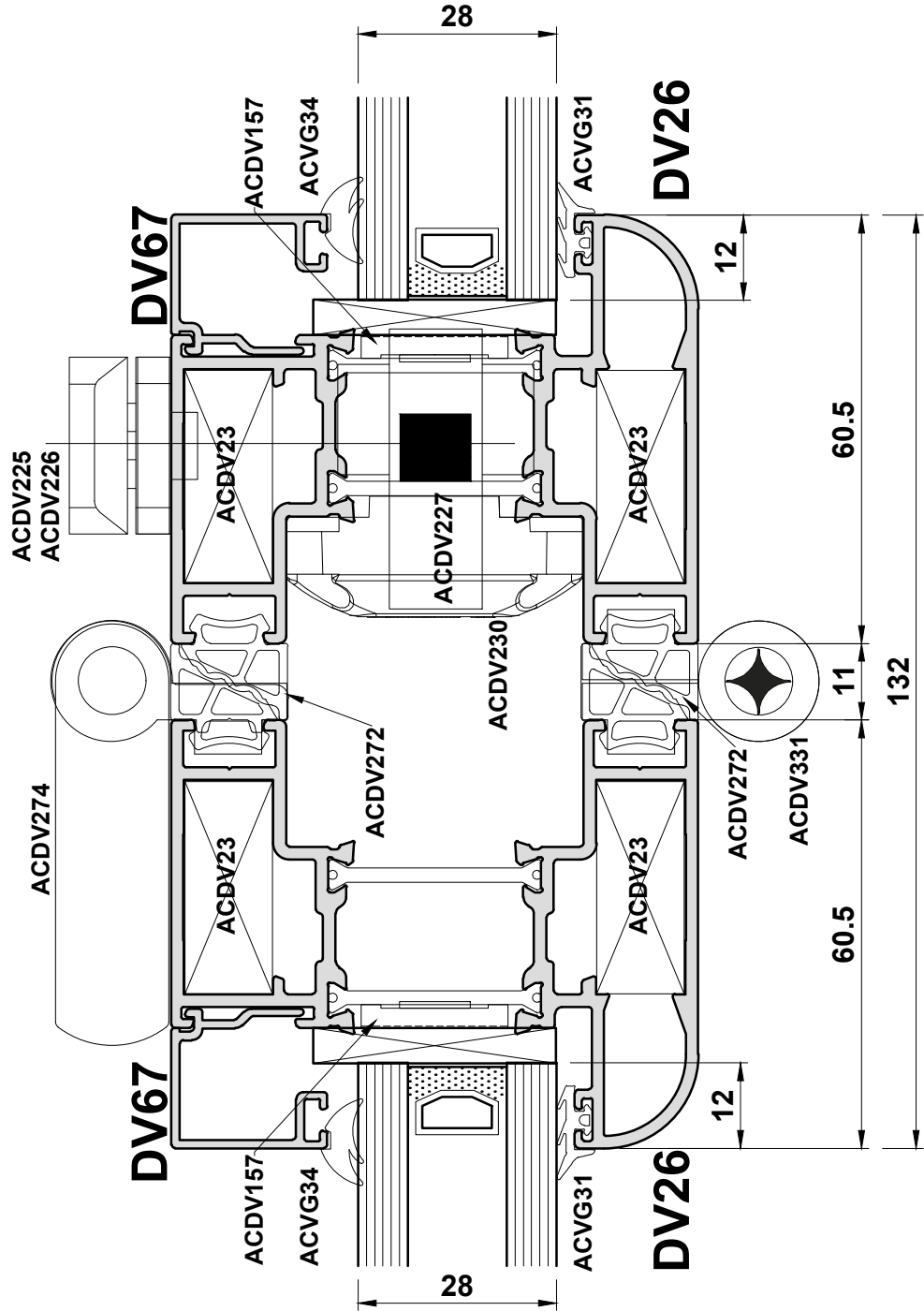
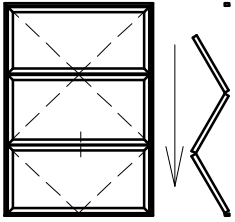
Do Not Scale From This Drawing

Open In - Detail 15B



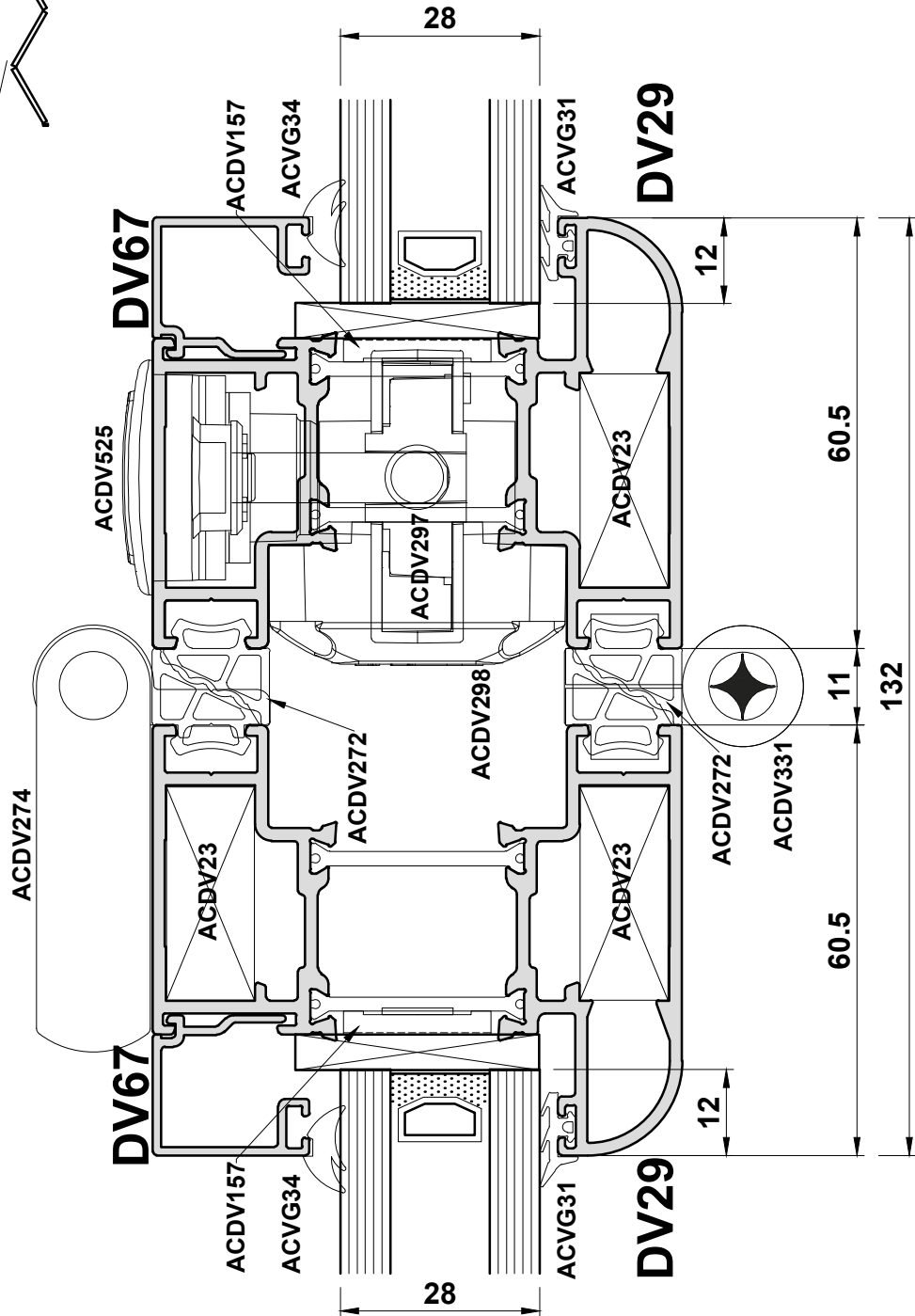
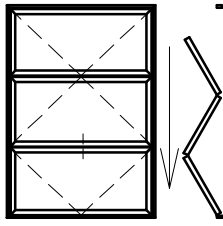
Do Not Scale From This Drawing

Open In - Detail 16A



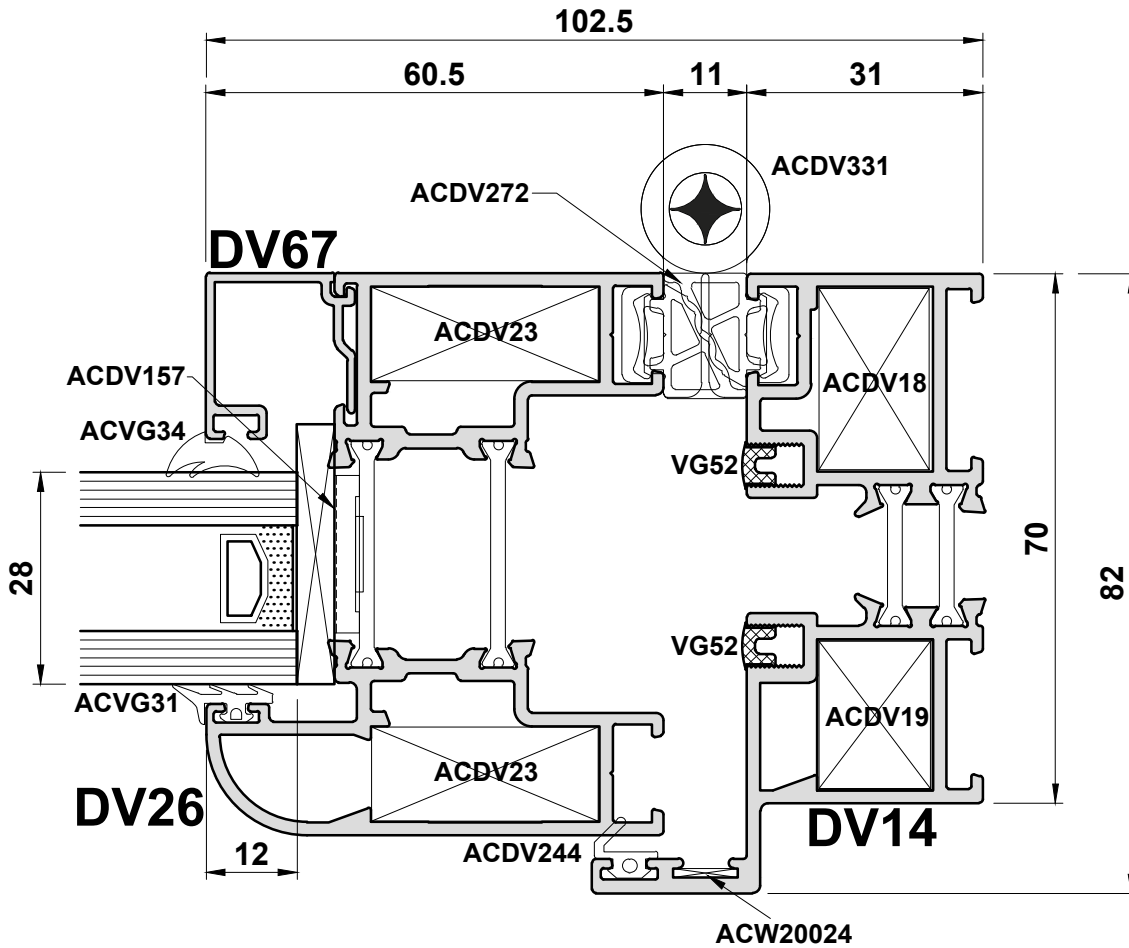
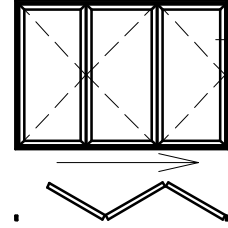
Do Not Scale From This Drawing

Open In - Detail 16B



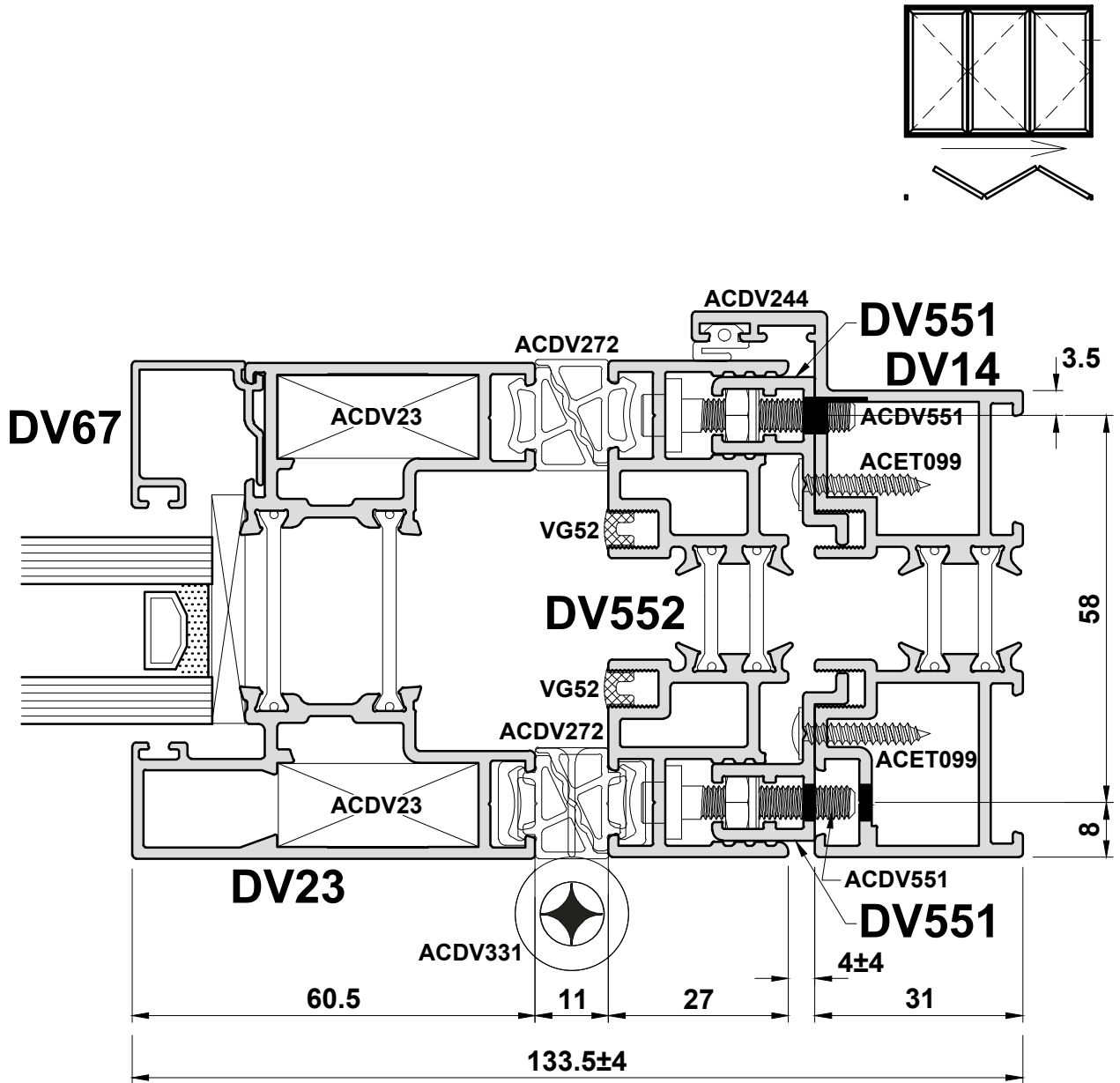
Do Not Scale From This Drawing

Open In - Detail 17A



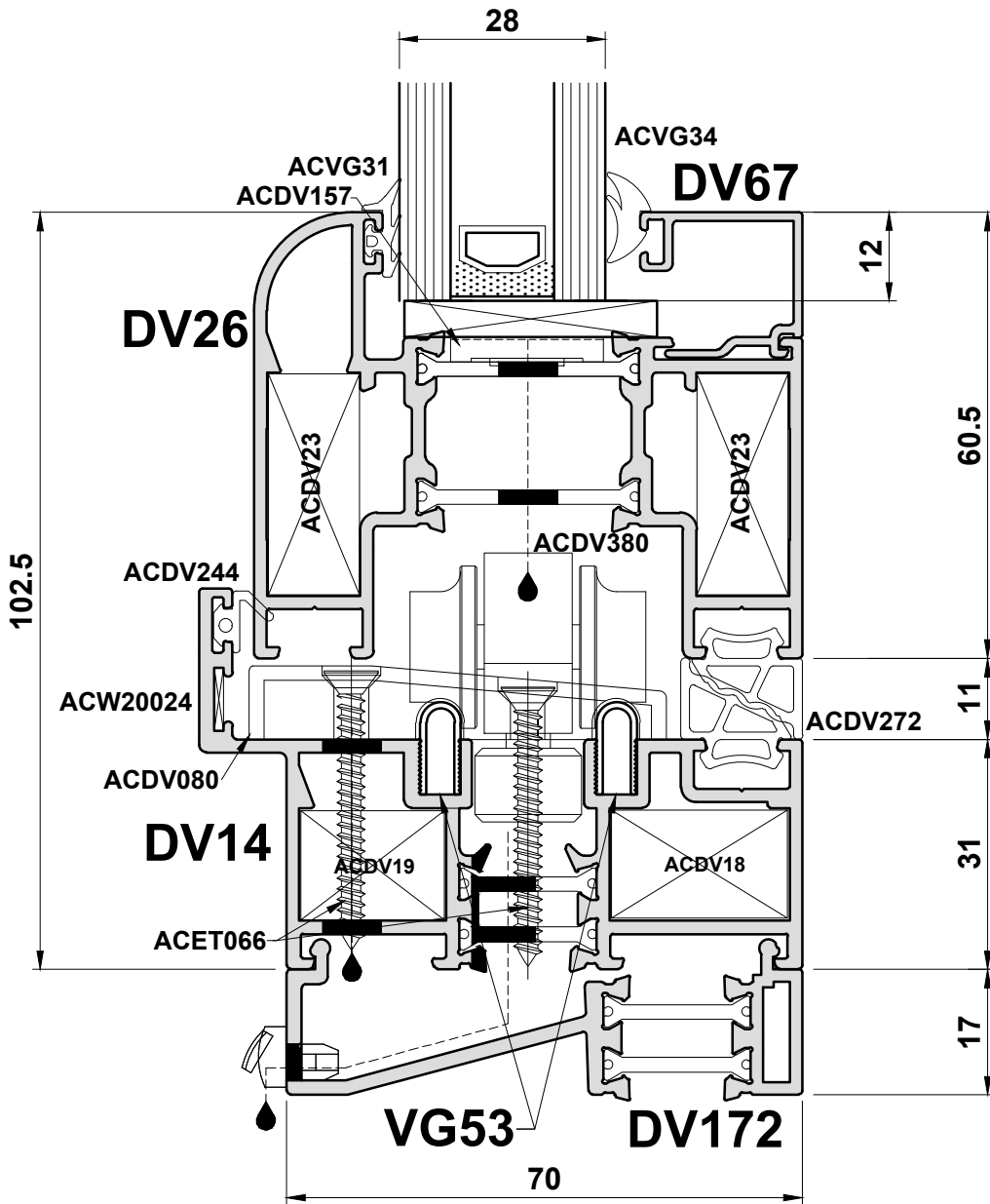
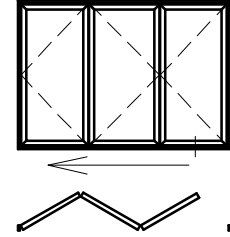
Do Not Scale From This Drawing

Open In - Detail 17B



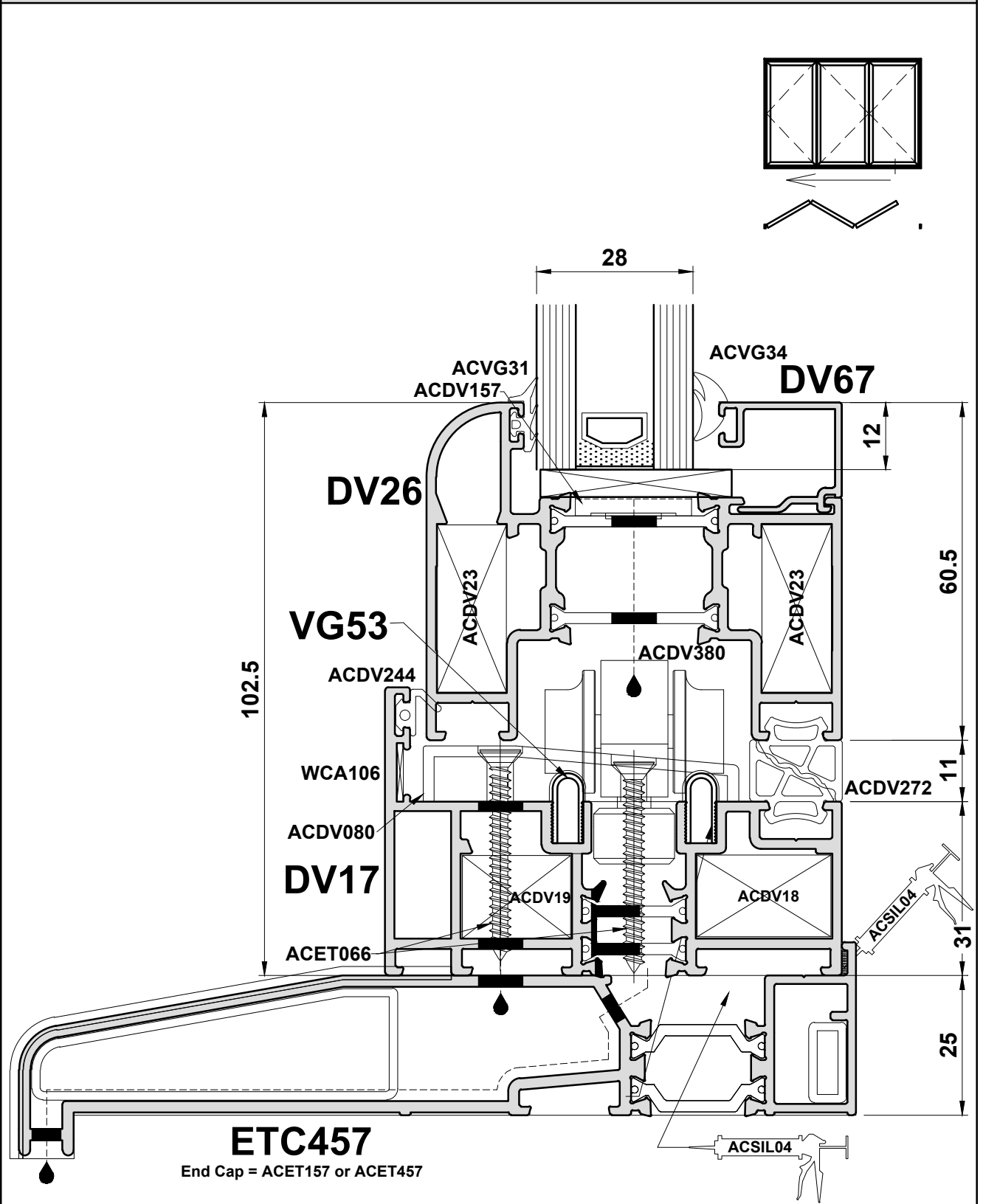
Do Not Scale From This Drawing

Open In - Detail 18A



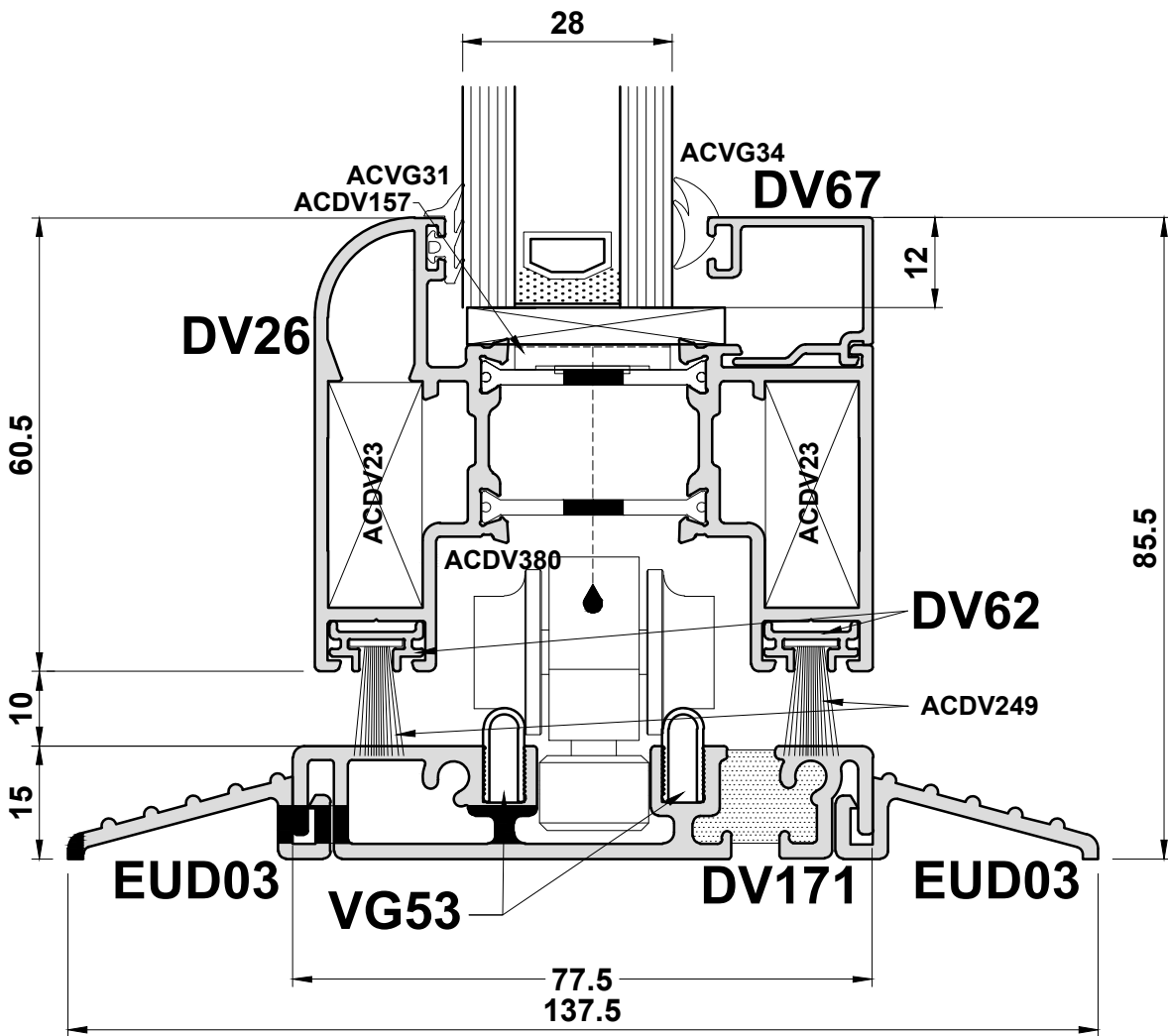
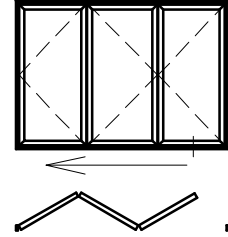
Do Not Scale From This Drawing

Open In - Detail 18B



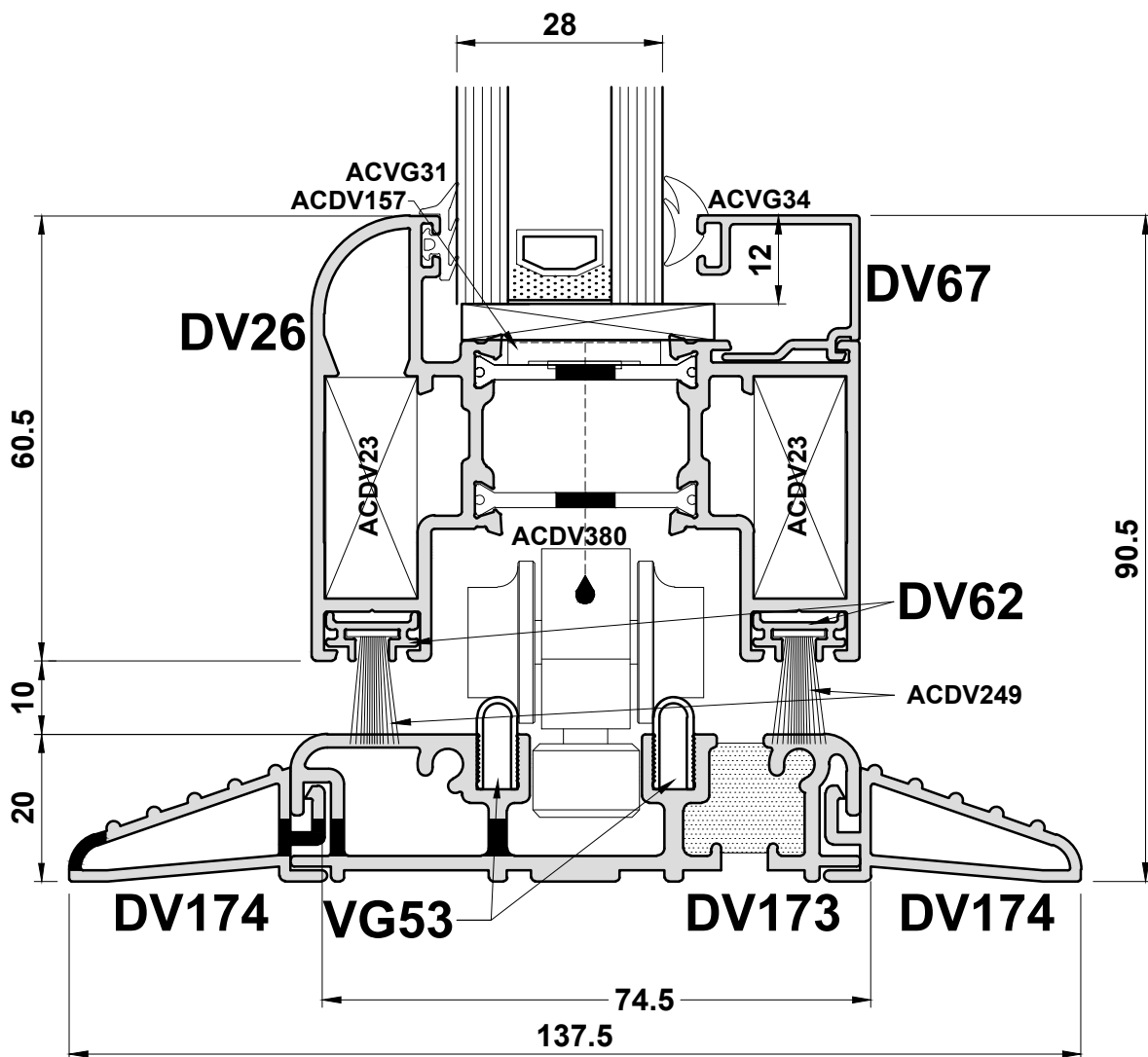
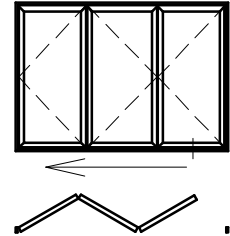
Do Not Scale From This Drawing

Open In - Detail 18C



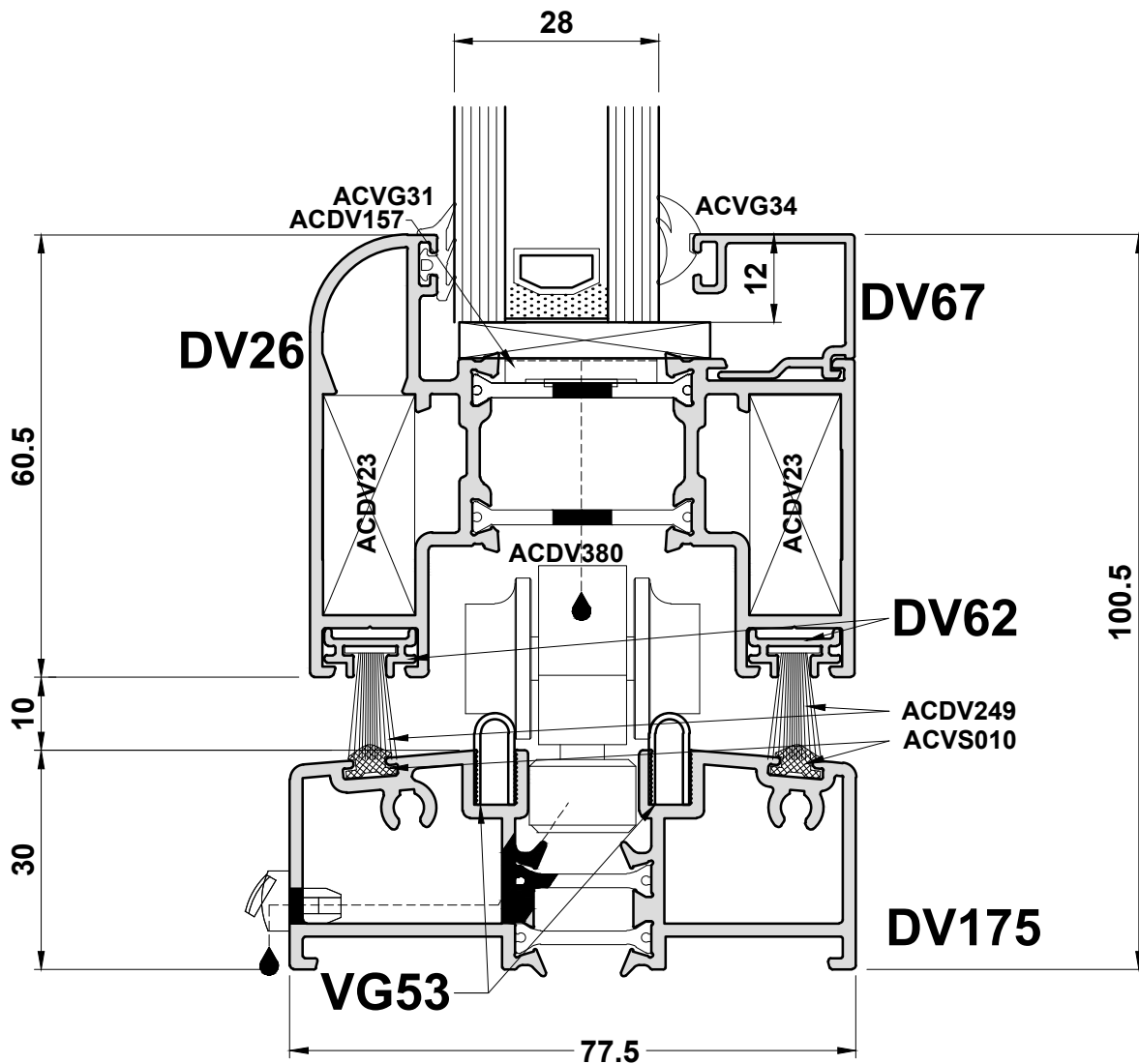
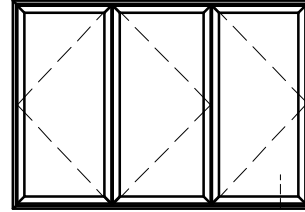
Do Not Scale From This Drawing

Open In - Detail 18D



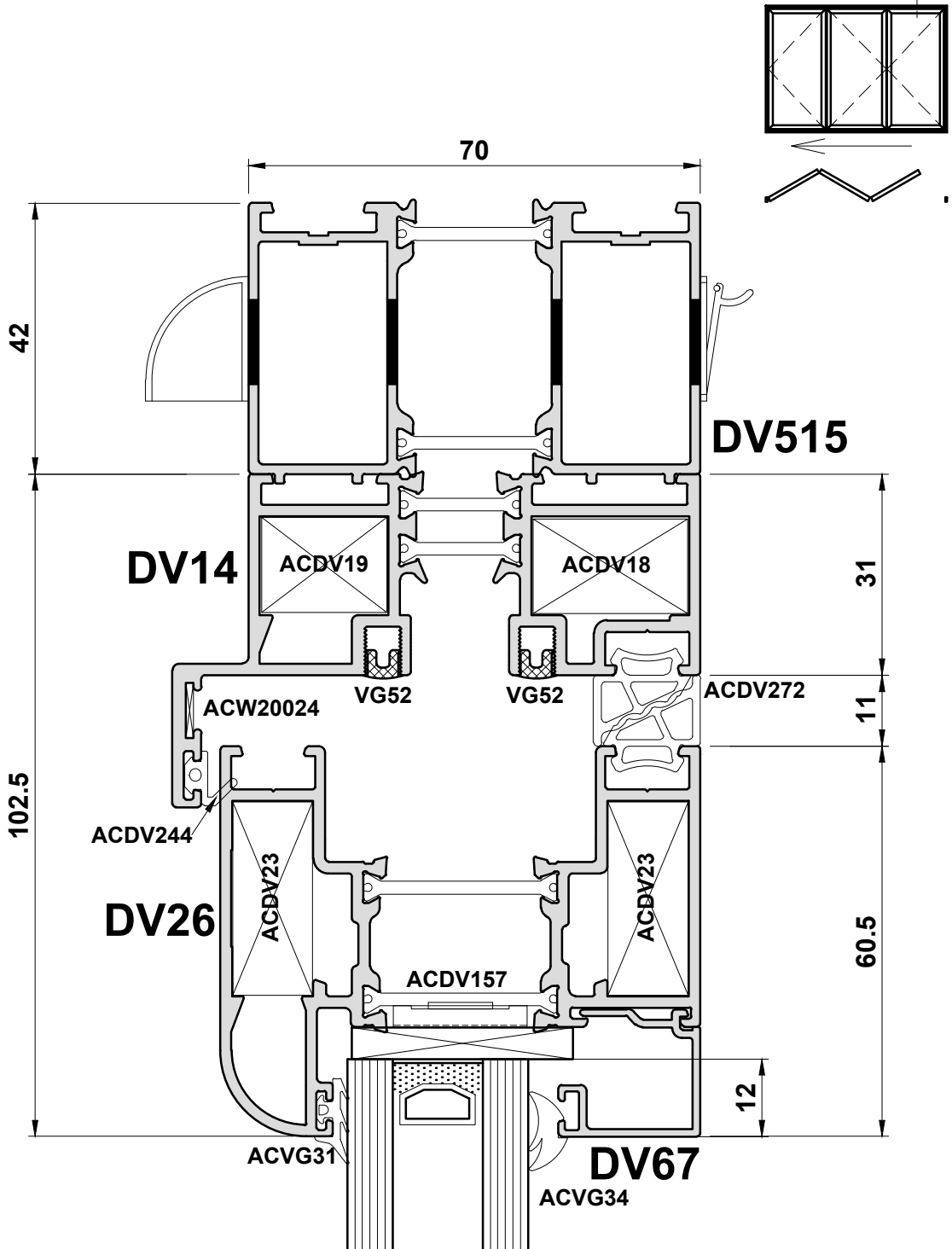
Do Not Scale From This Drawing

Open In - Detail 18E



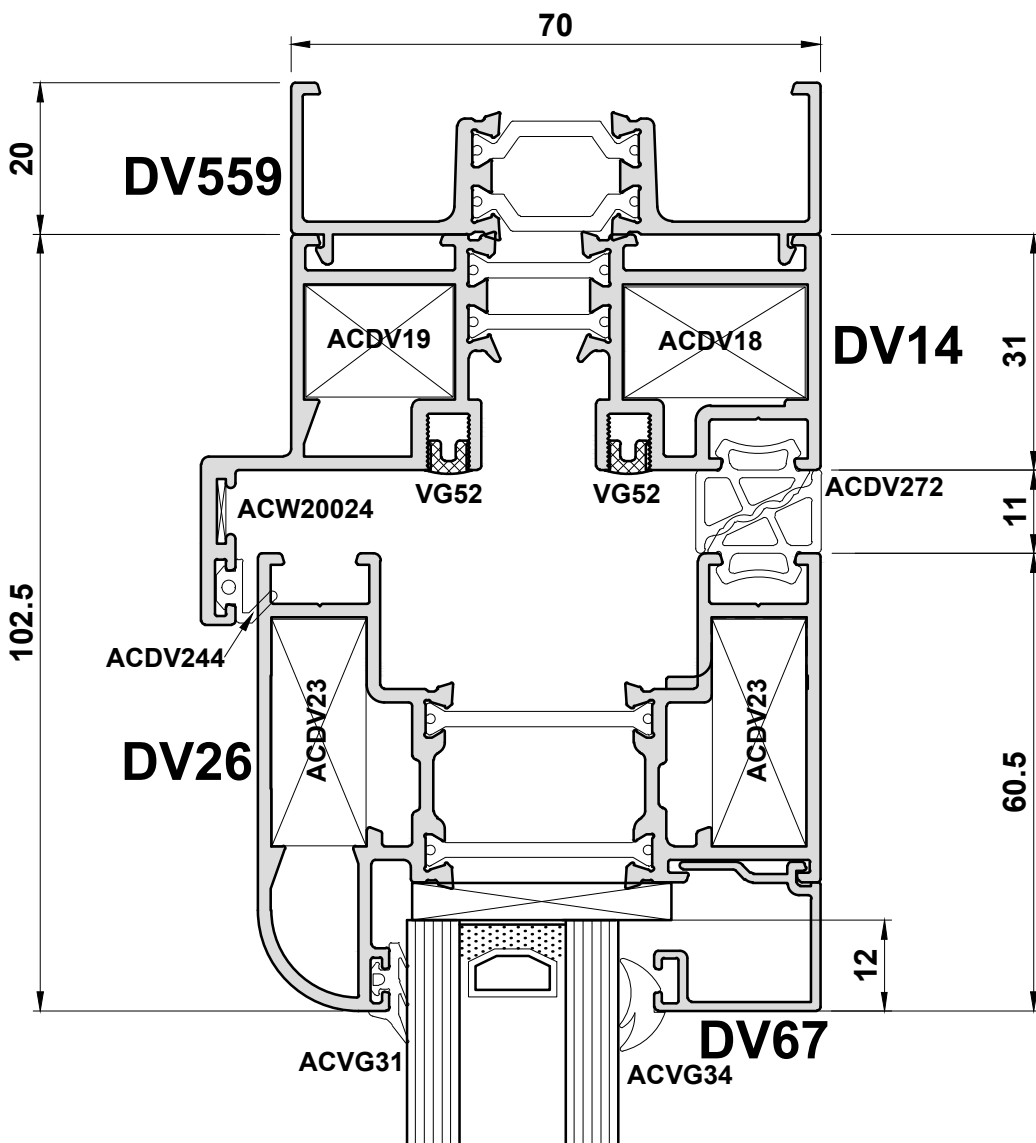
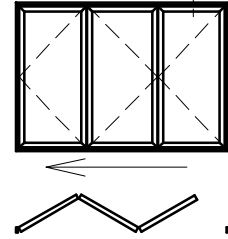
Do Not Scale From This Drawing

Open In - Detail 19A



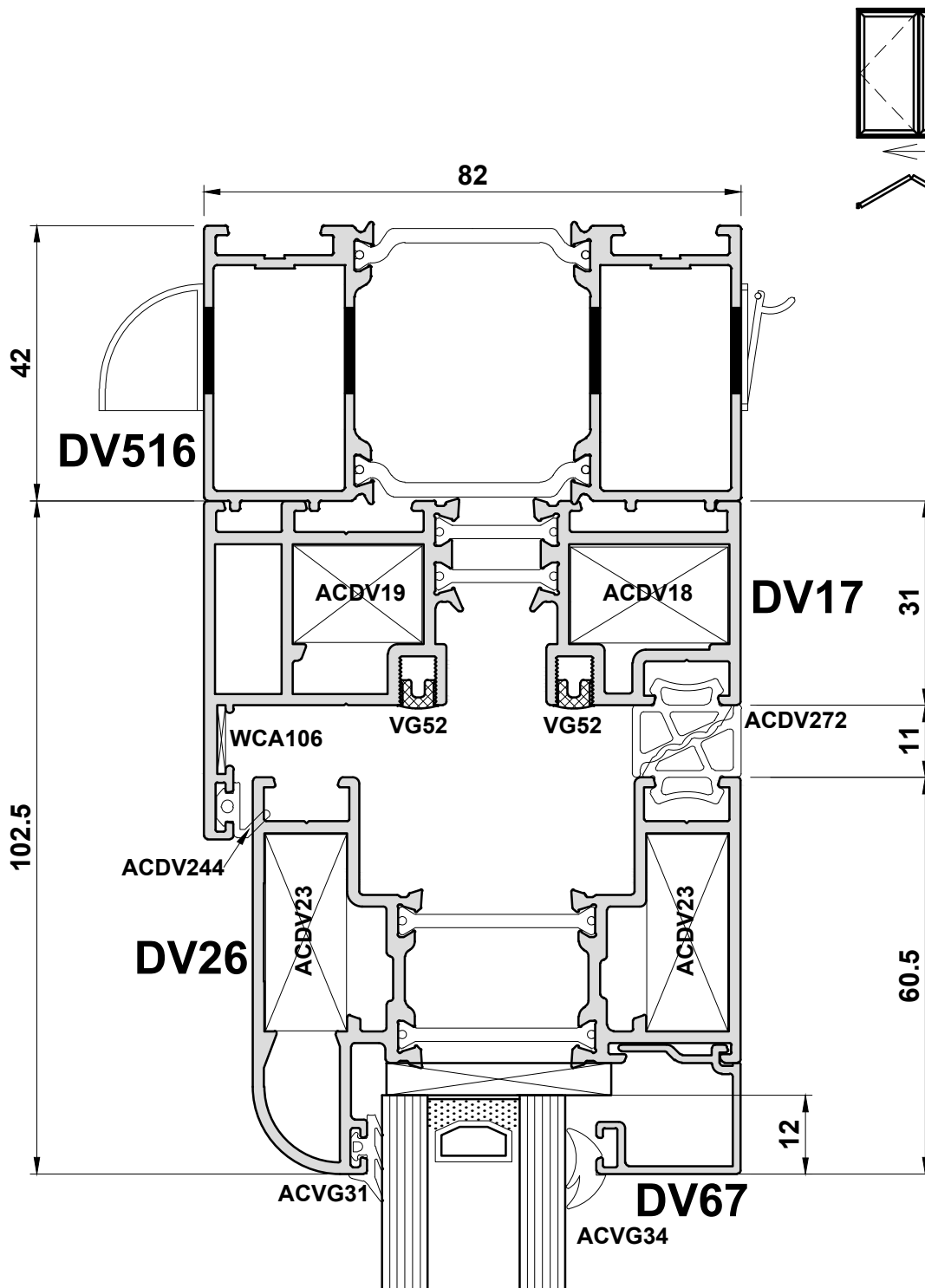
Do Not Scale From This Drawing

Open In - Detail 19B



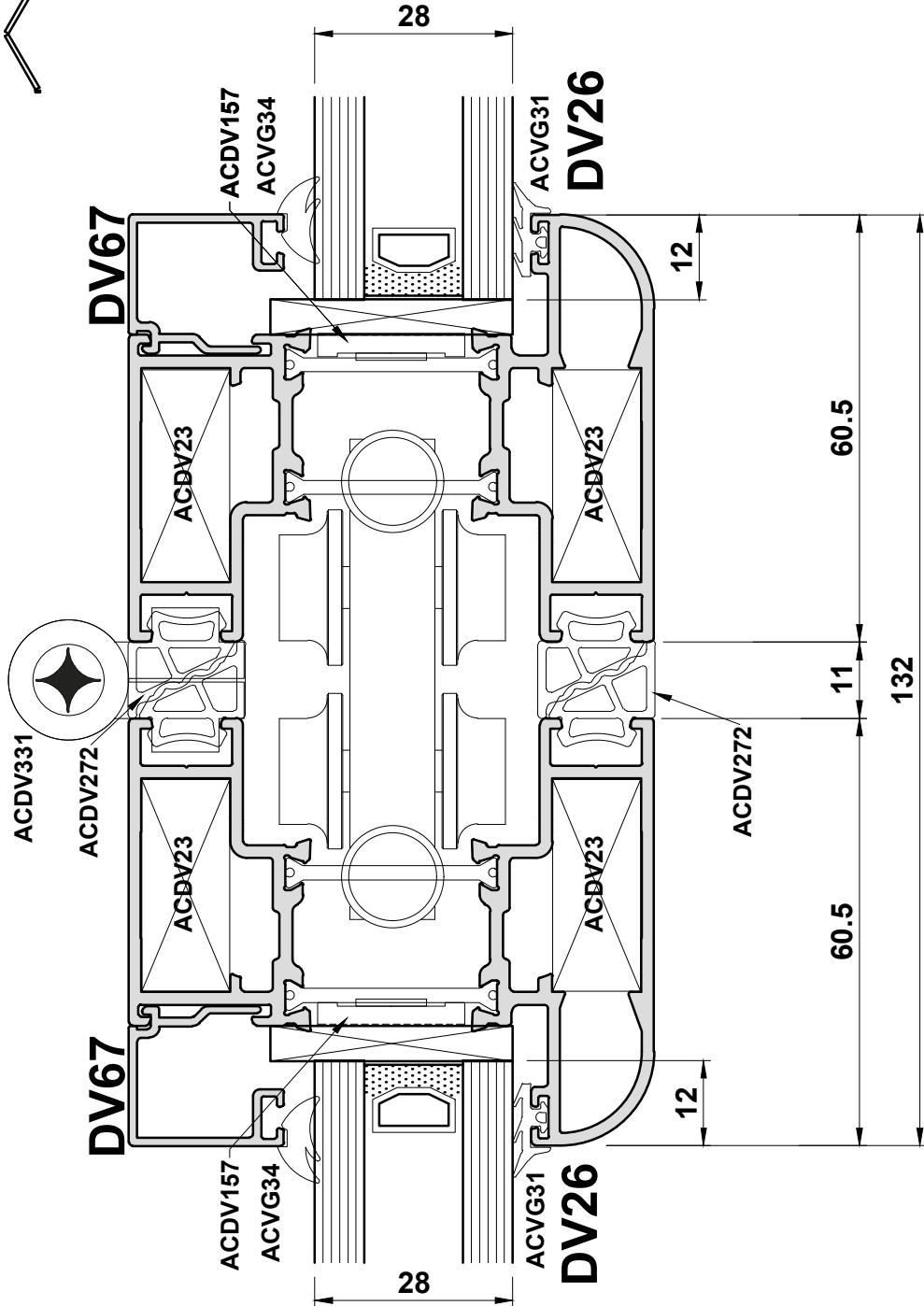
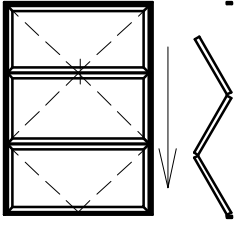
Do Not Scale From This Drawing

Open In - Detail 19C



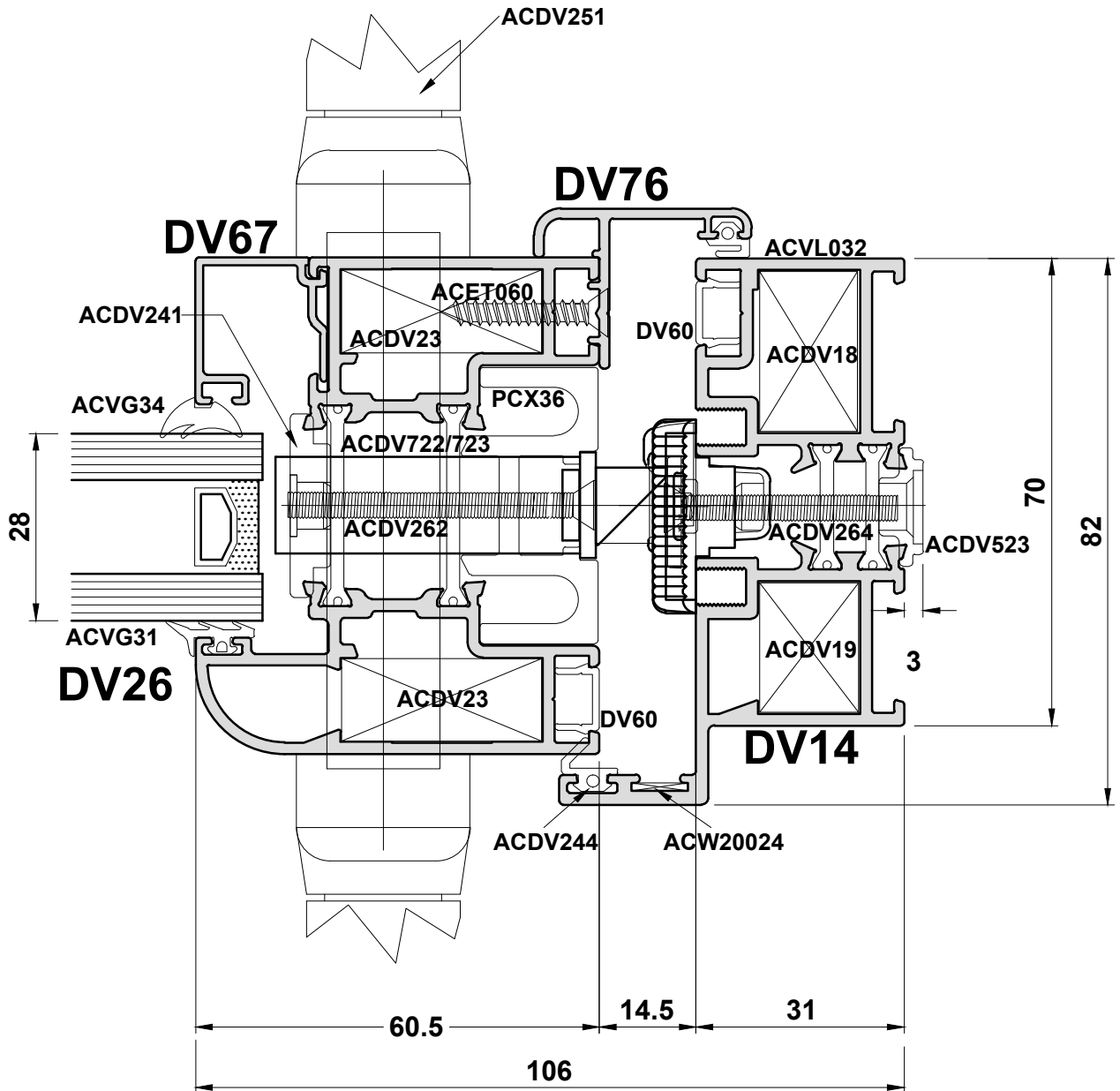
Do Not Scale From This Drawing

Open In - Detail 20



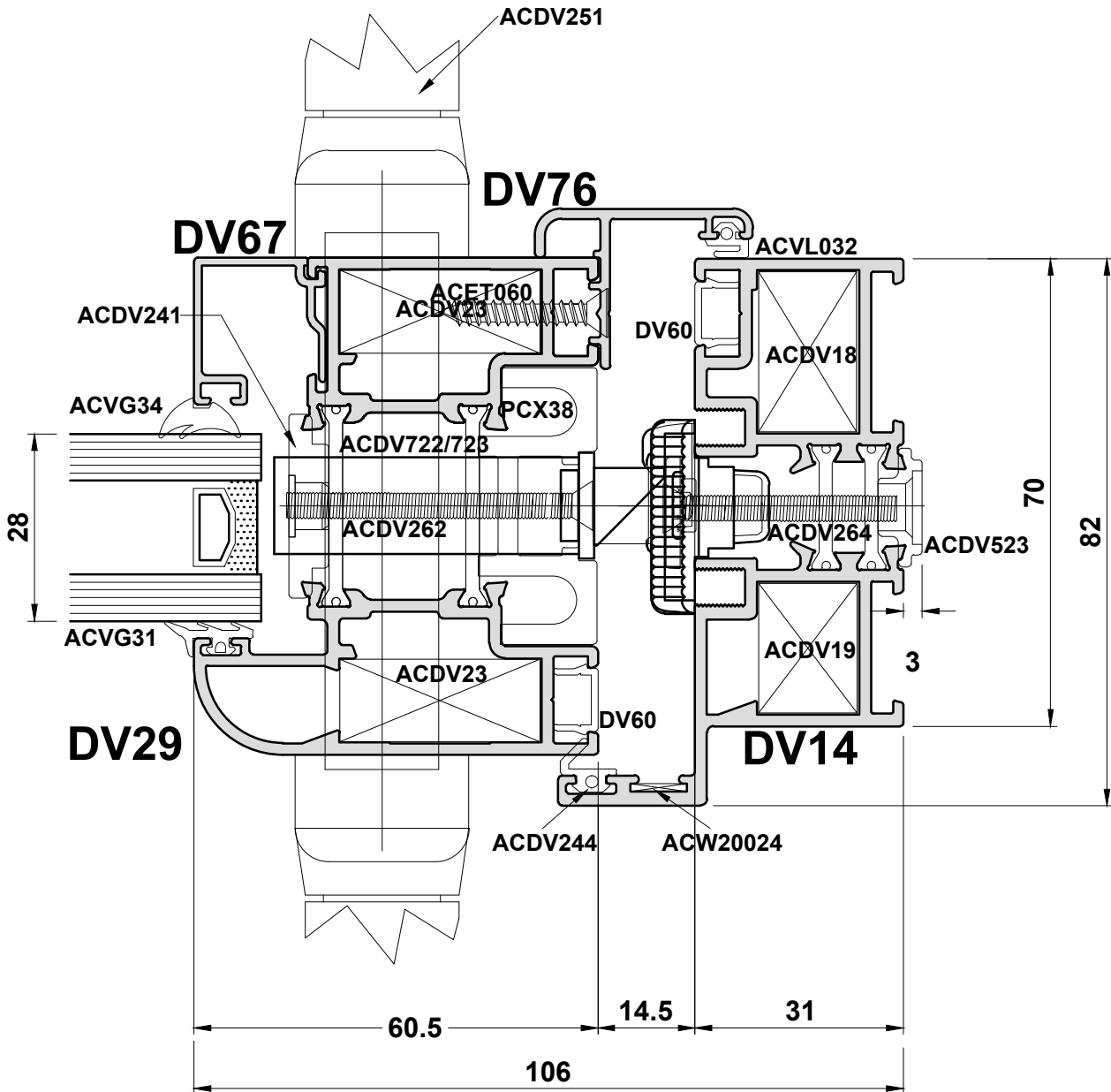
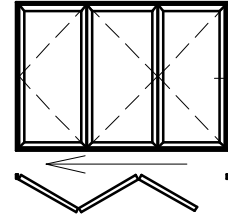
Do Not Scale From This Drawing

Open In - Detail 21A



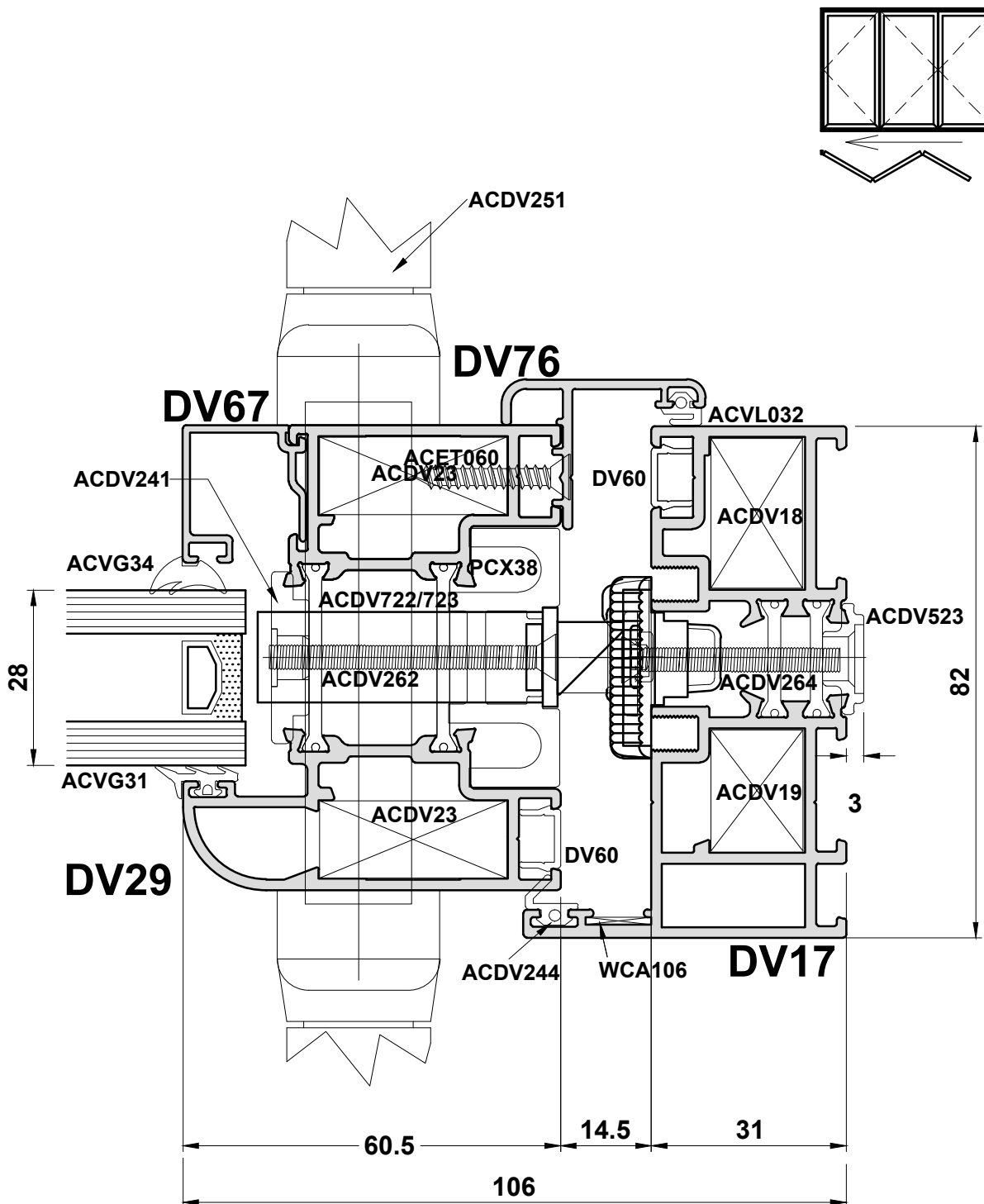
Do Not Scale From This Drawing

Open In - Detail 21B



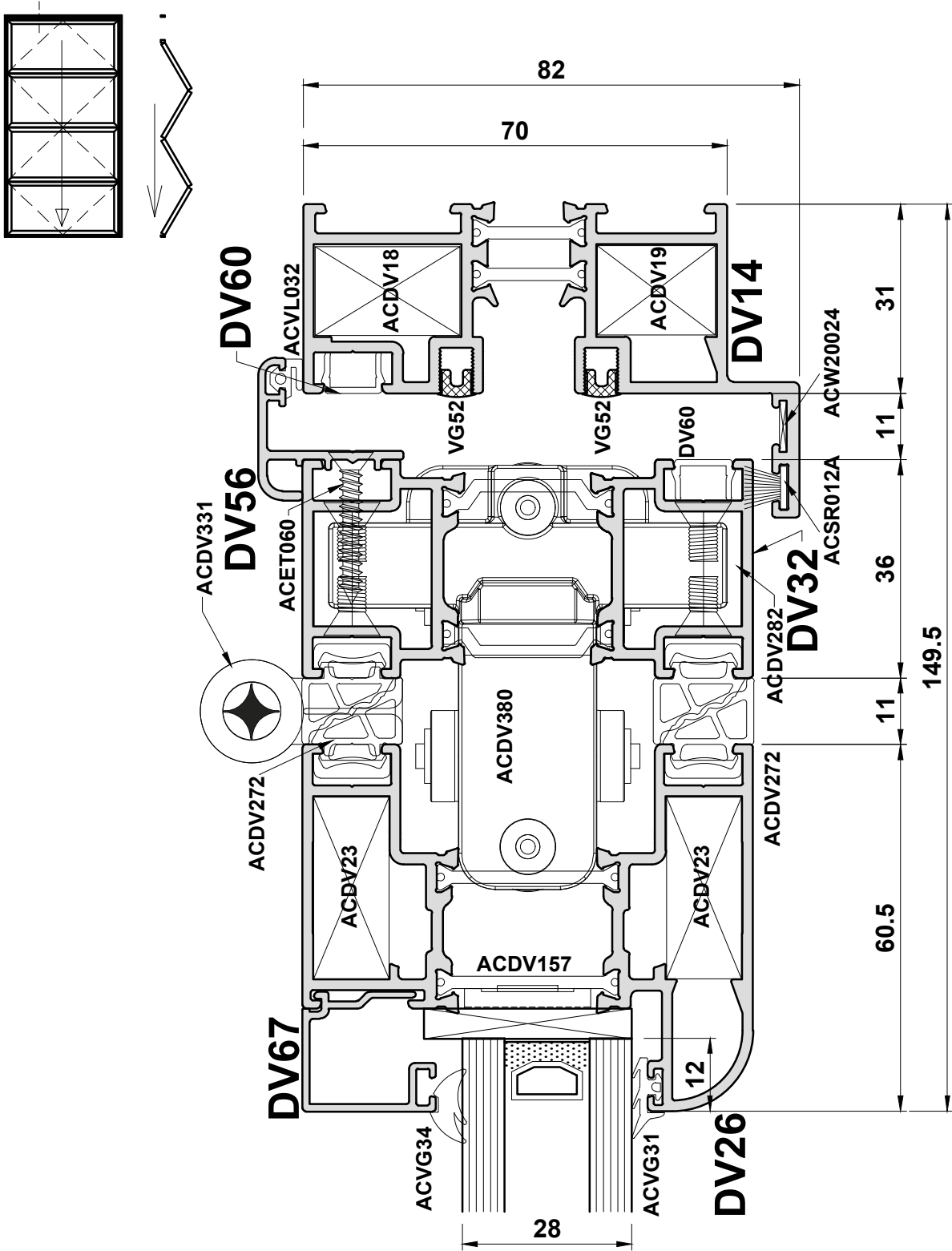
Do Not Scale From This Drawing

Open In - Detail 21C



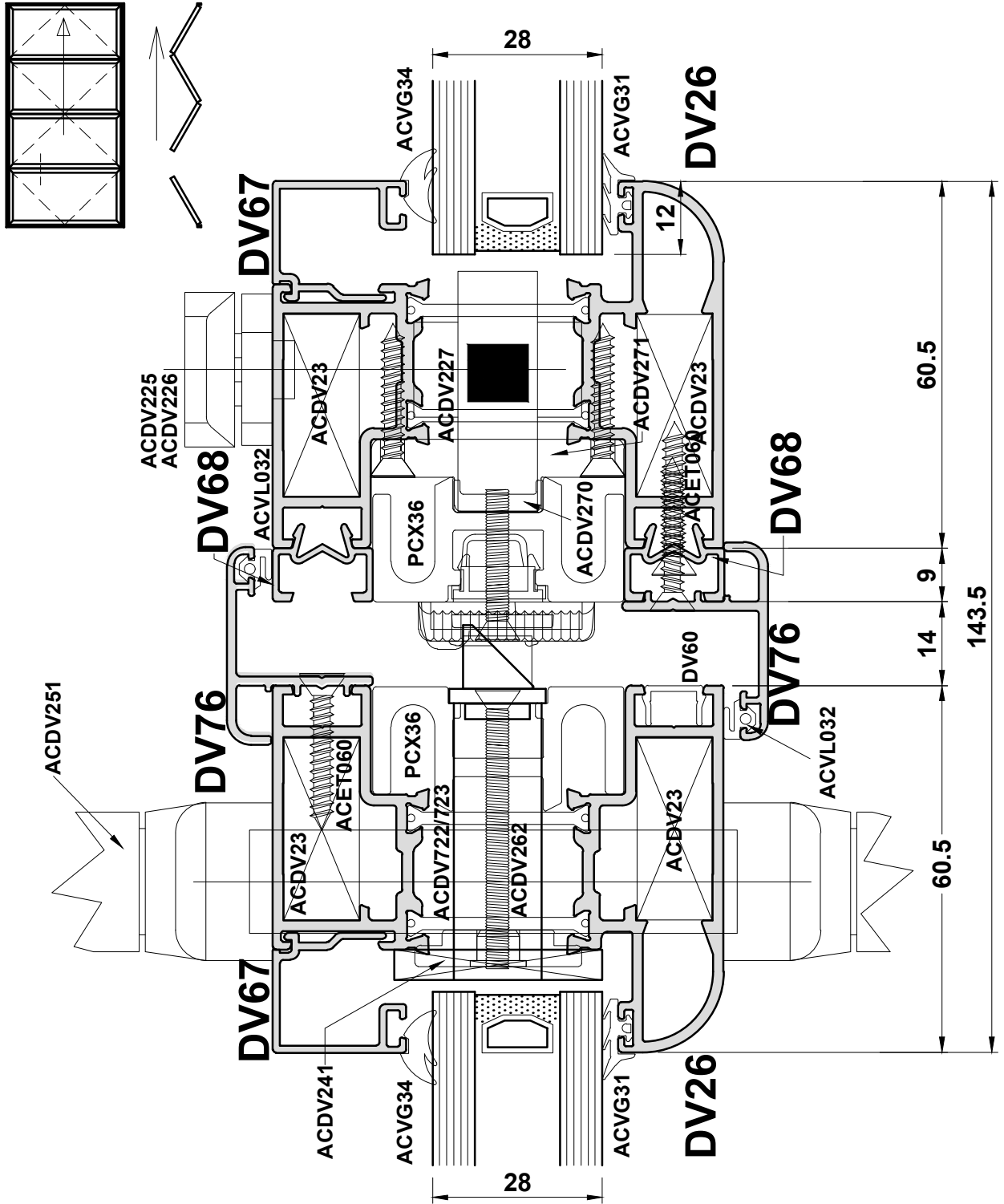
Do Not Scale From This Drawing

Open In - Detail 22



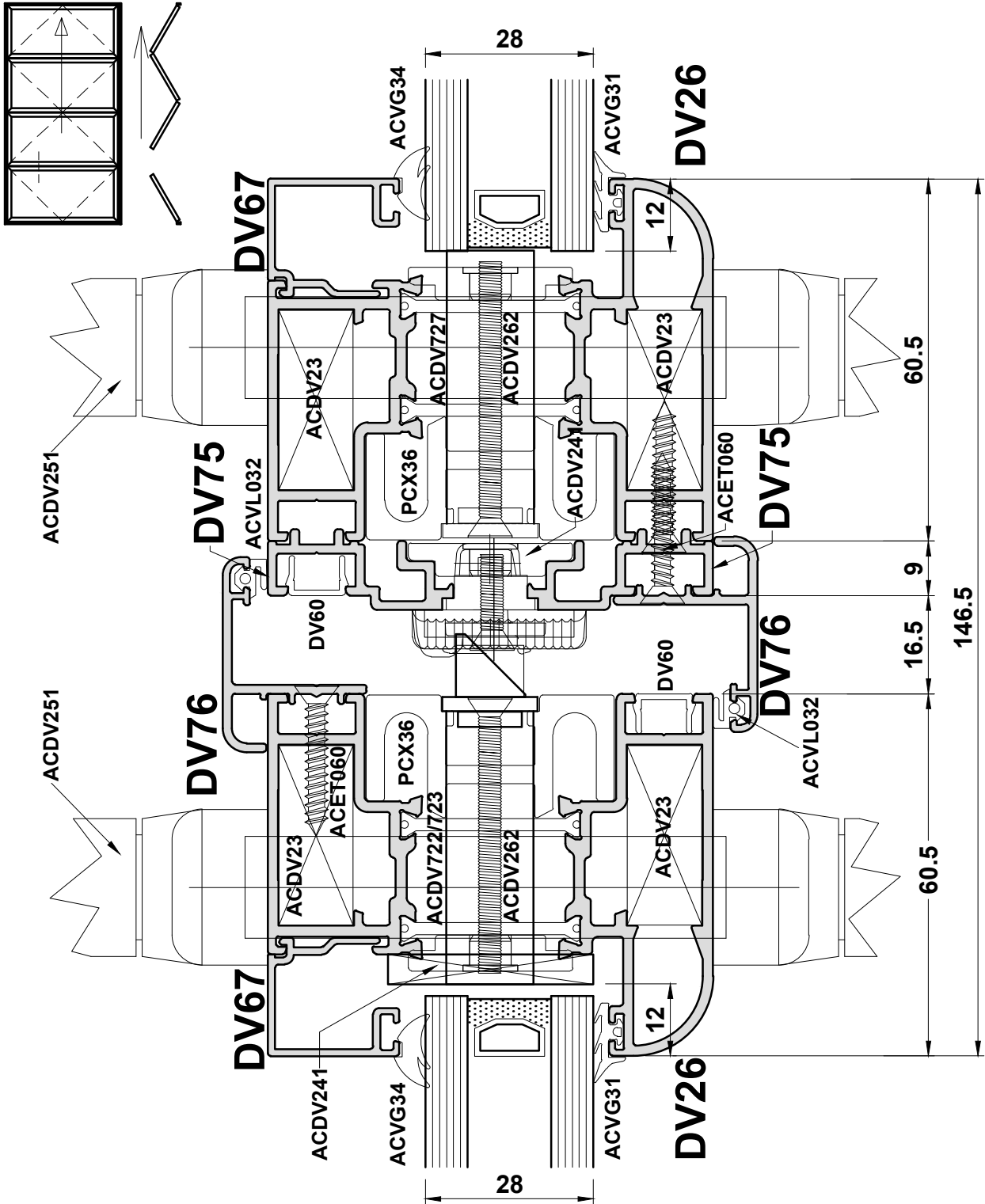
Do Not Scale From This Drawing

Open In - Detail 23A



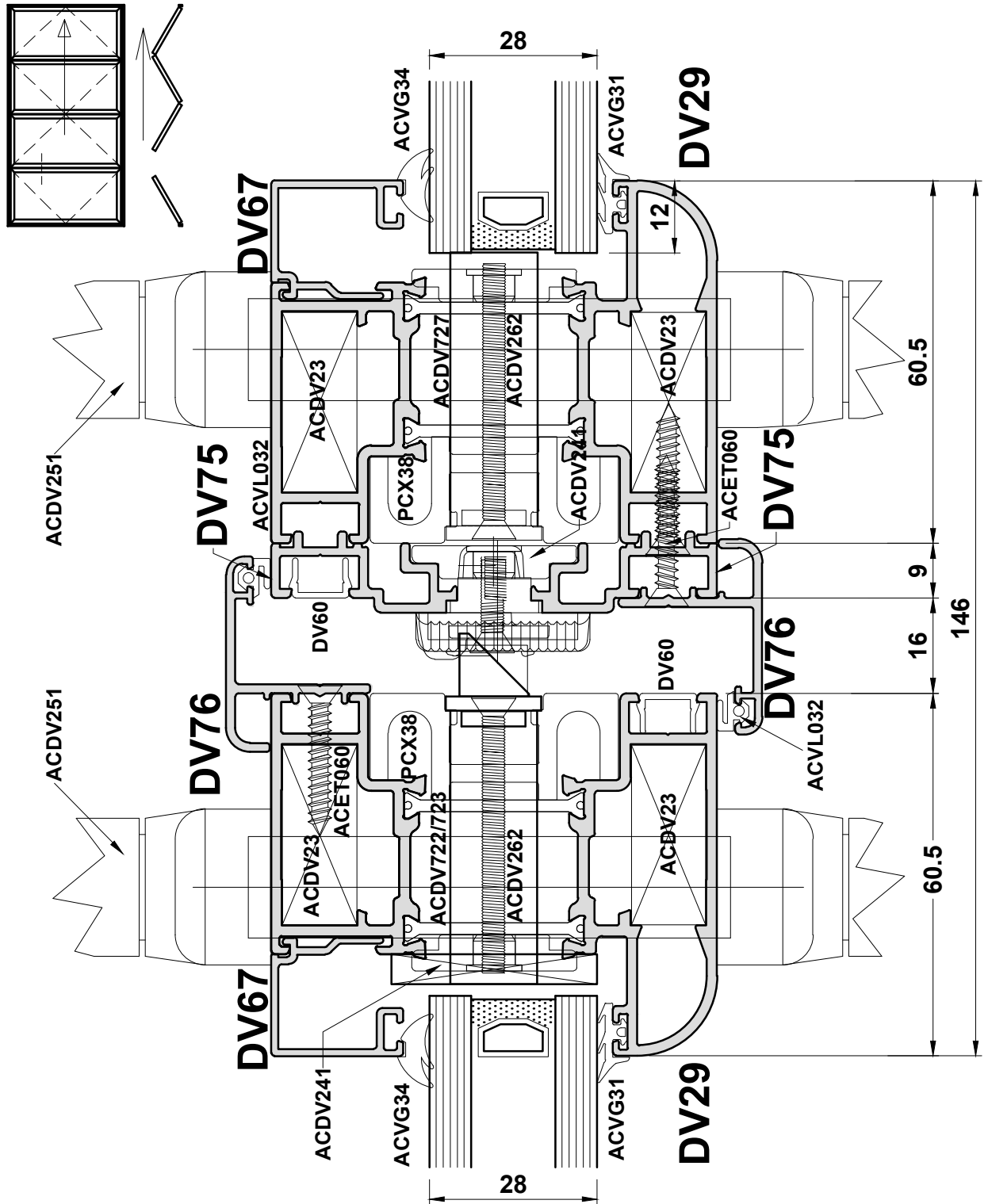
Do Not Scale From This Drawing

Open In - Detail 23B



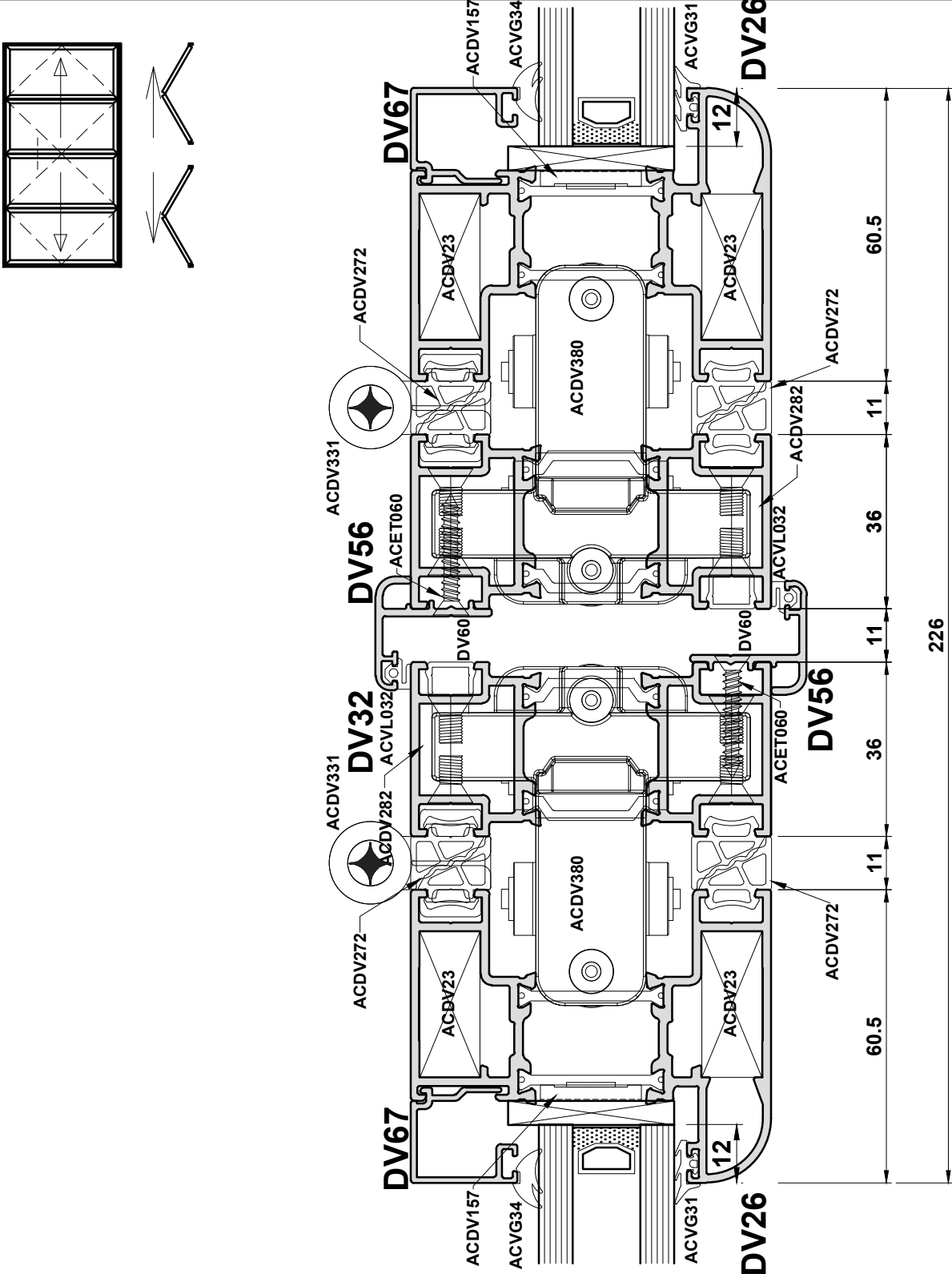
Do Not Scale From This Drawing

Open In - Detail 23C



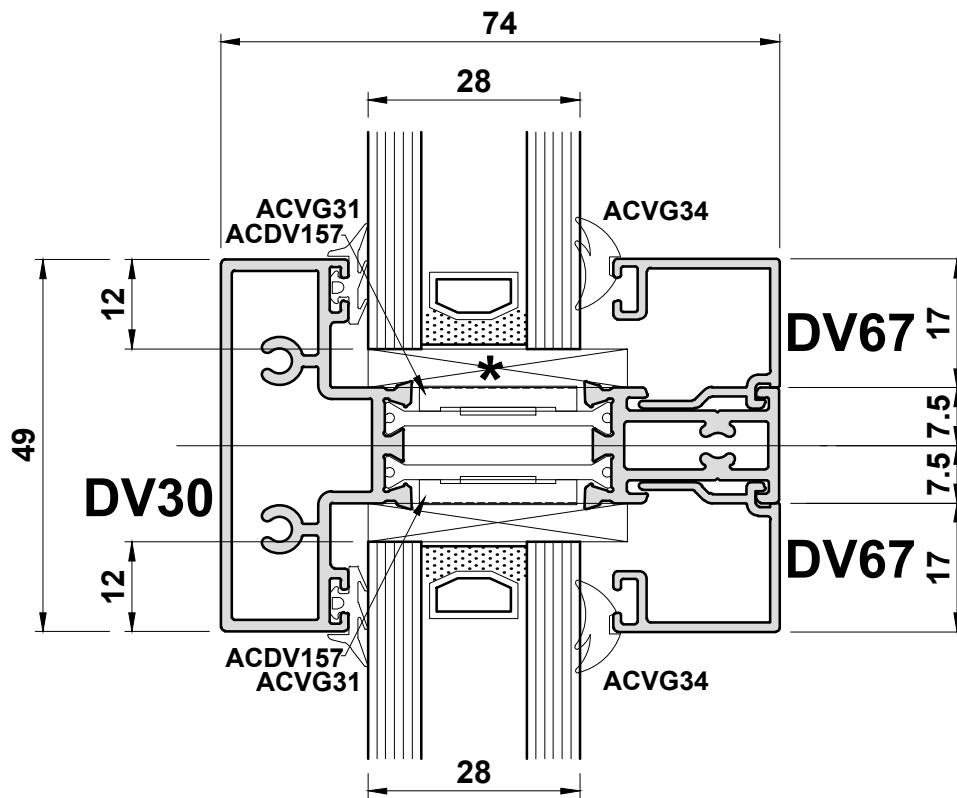
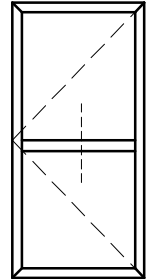
Do Not Scale From This Drawing

Open In - Detail 24



Do Not Scale From This Drawing

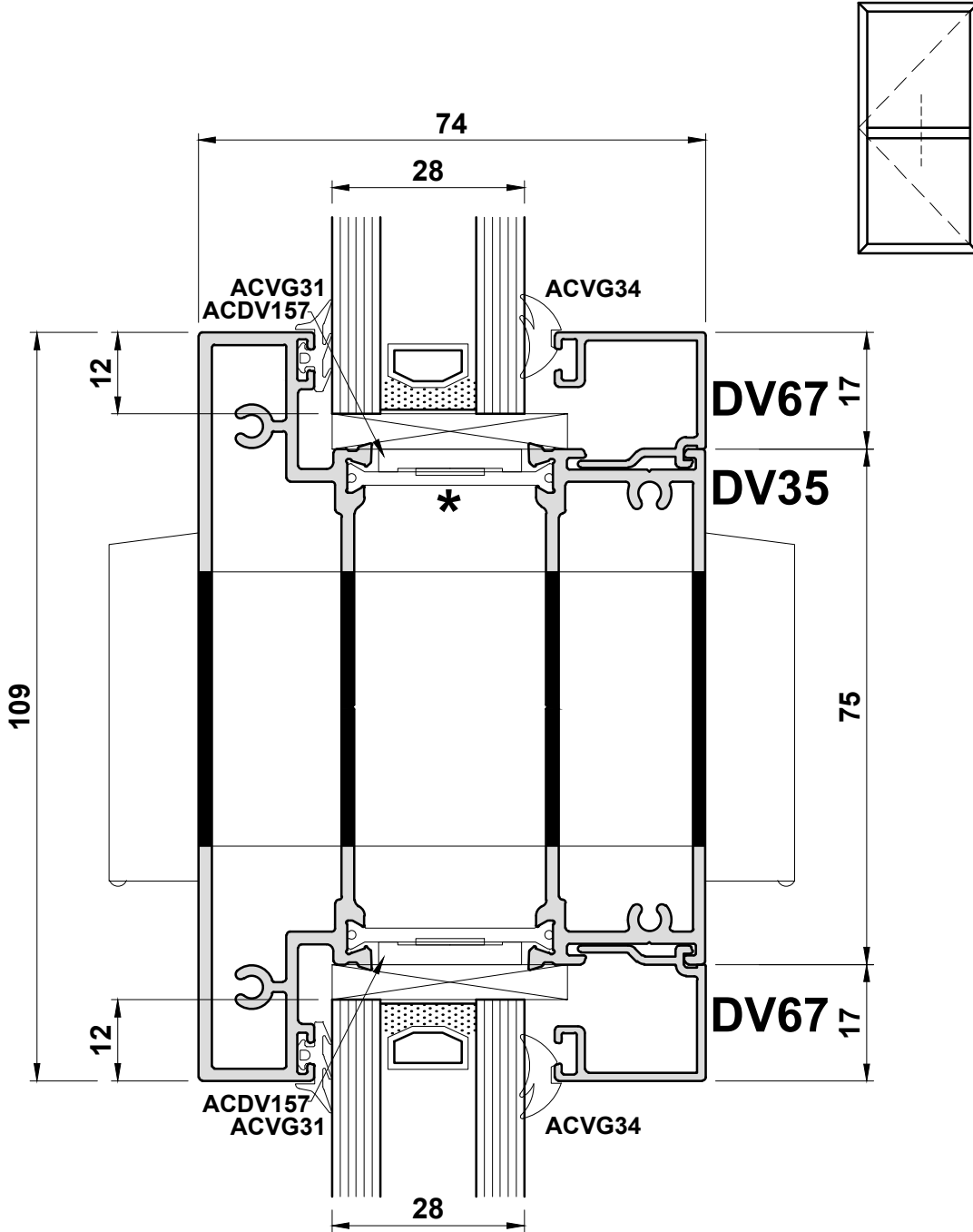
Open In - Detail 25A



* Drained at join to stile

Do Not Scale From This Drawing

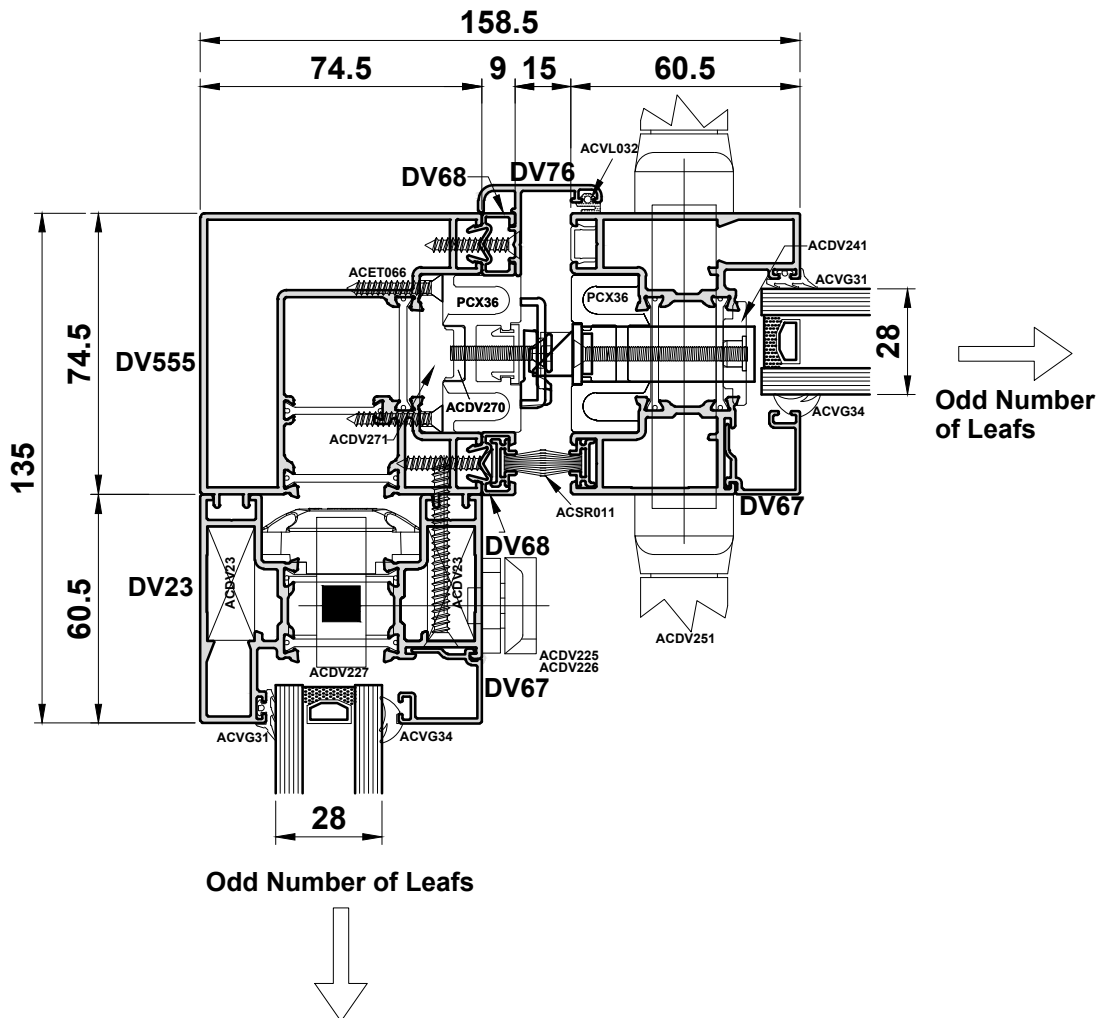
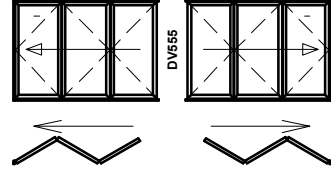
Open In - Detail 25B



* Drained at join to stile

Do Not Scale From This Drawing

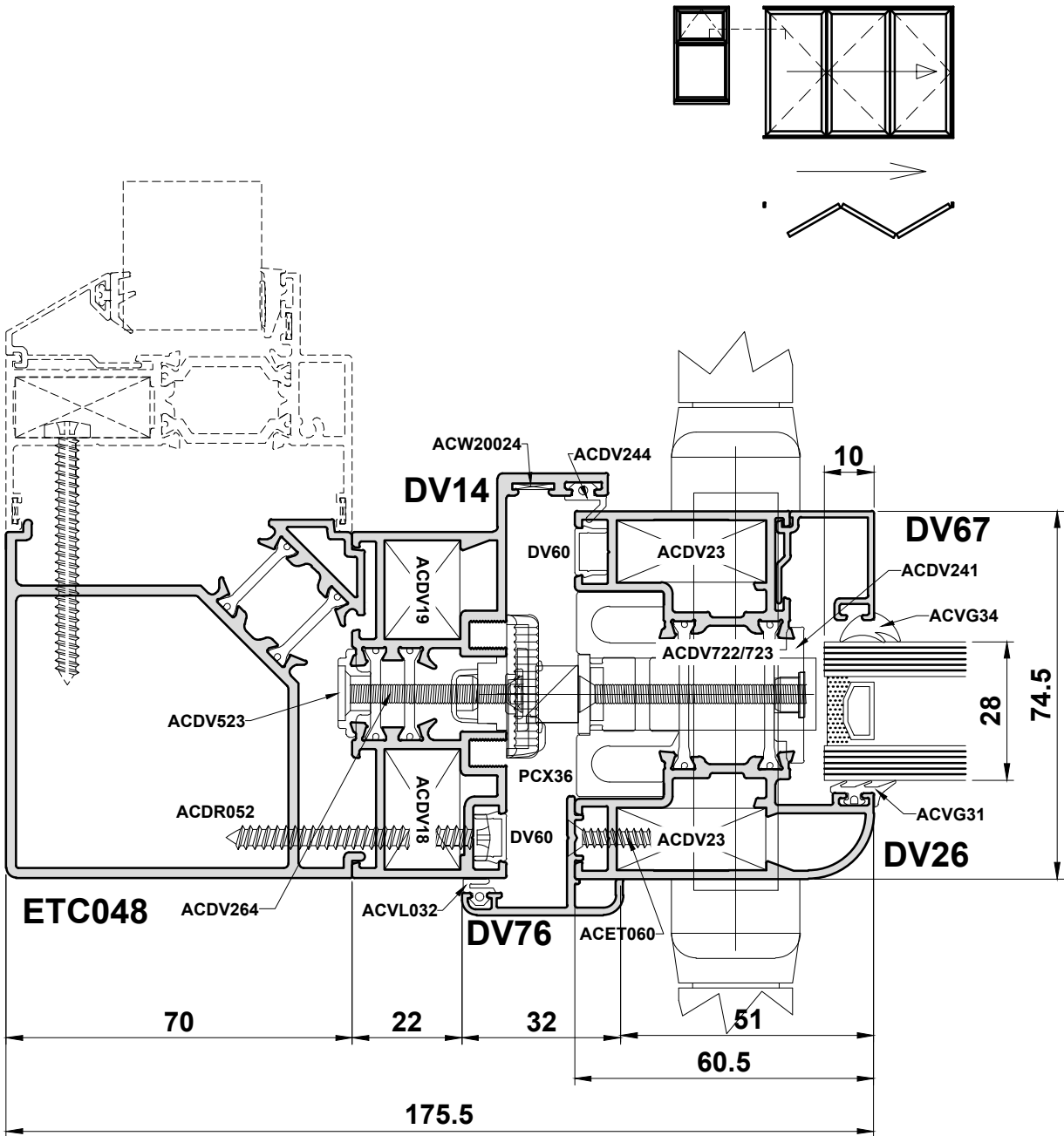
Open In - Detail 26



* Drained at join to stile

Do Not Scale From This Drawing

Open In - Detail 27



Do Not Scale From This Drawing

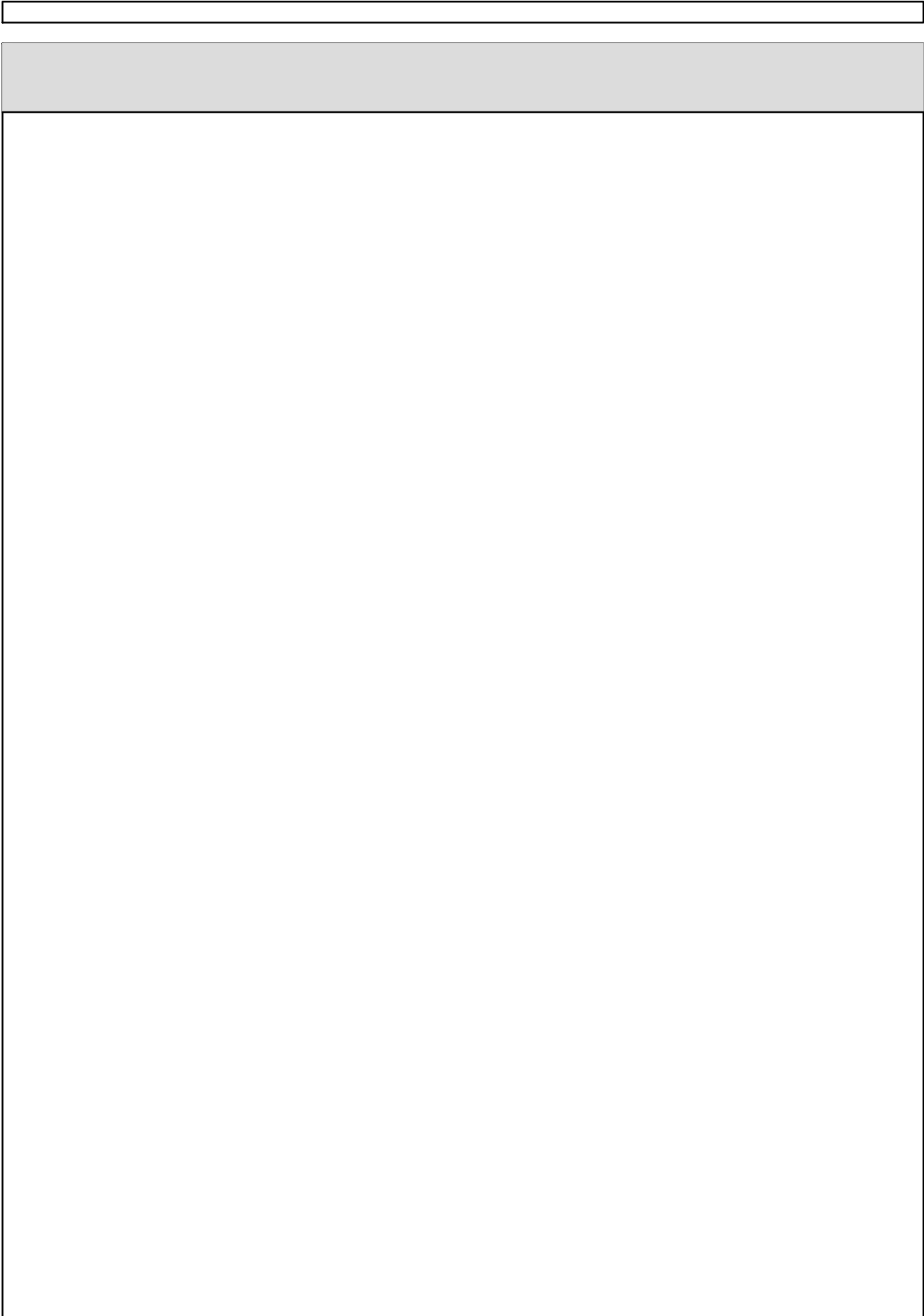
Section D

Statics

Open Out & In

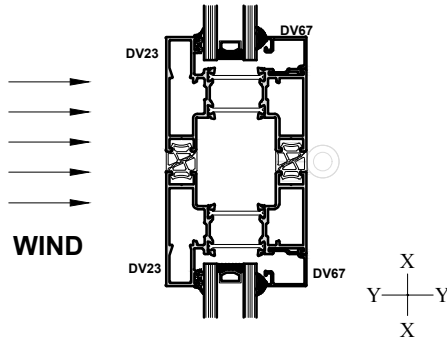
General Size Limitations are shown on Page A04.

**For Wind Loading Limitations, Please Contact
The Technical Department - T: 01934 876100**



Doors-Open In & Out

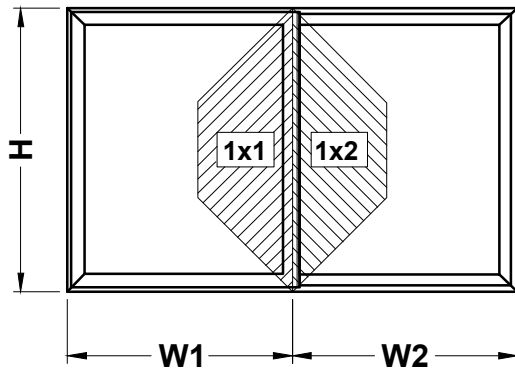
GENERAL INFORMATION - STATICS



The position of the axes is an indication for the use and application of the moments of inertia (I_x and I_y) and the section modulus (W_x and W_y). We always choose the values of the axis perpendicular to the load to resist it.

- To resist the wind loads we use the values I_x and W_x .

EXAMPLE



H = 2300mm

W1 = 1000mm

W2 = 1000mm

P = 1900 Pa (wind pressure)

- 1) Determine I_{xx} value for the meeting stiles (if required) using the Specification Wizard

$I_{xx} = 86 \text{ cm}^4$

- 2) Determine profile combinations

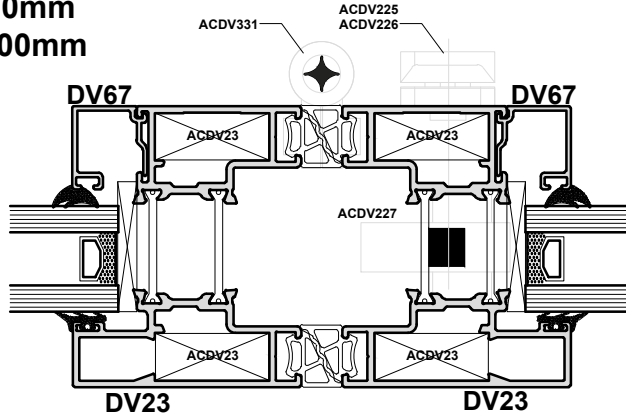


	DV67 DV23	DV67 DV23 DV50	DV67 DV50 DV23
DV67 DV23	85.86cm ⁴	92.87cm ⁴	97.21cm ⁴
DV67 DV23 DV50	92.87cm⁴	99.88cm ⁴	104.22cm ⁴

Do Not Scale From This Drawing

Doors-Open In & Out

f_{max} = B/200 < 15mm
max sash weight = 100kg
max sash width = 1200mm
max sash height = 2500mm

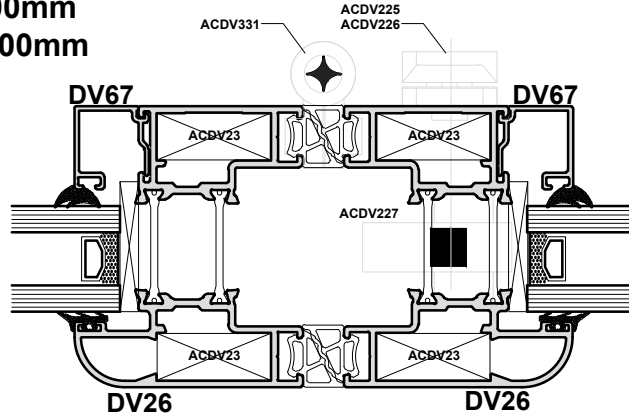


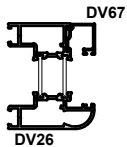
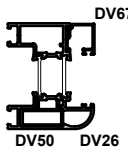
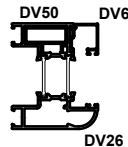
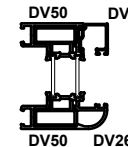
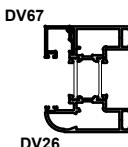
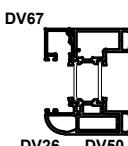
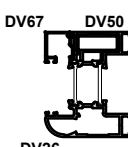
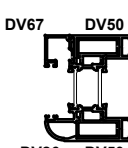
	85.86cm ⁴	92.87cm ⁴	97.21cm ⁴	108.08cm ⁴
	92.87cm ⁴	99.88cm ⁴	104.22cm ⁴	115.09cm ⁴
	97.21cm ⁴	104.22cm ⁴	108.56cm ⁴	119.43cm ⁴
	108.08cm ⁴	115.09cm ⁴	119.43cm ⁴	130.3cm ⁴

Do Not Scale From This Drawing

Doors-Open In & Out

f_{max} = B/200 < 15mm
max sash weight = 100kg
max sash width = 1200mm
max sash height = 2500mm

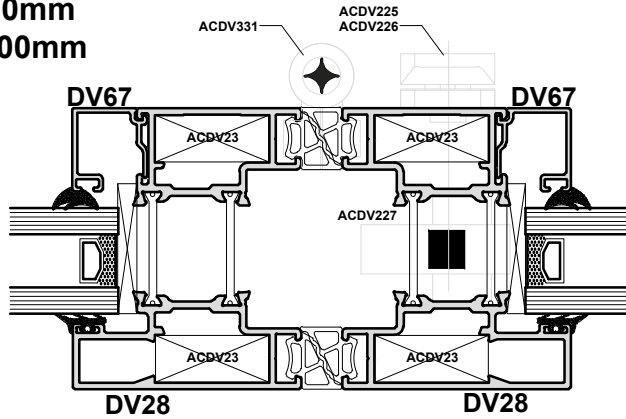


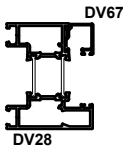
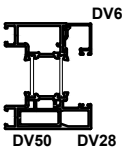
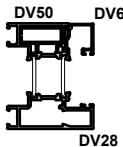
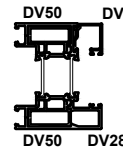
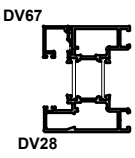
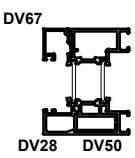
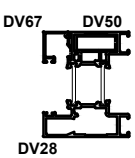
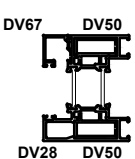
				
	83.66cm ⁴	90.93cm ⁴	94.60cm ⁴	105.81cm ⁴
	90.93cm ⁴	98.20cm ⁴	101.87cm ⁴	113.08cm ⁴
	94.60cm ⁴	101.87cm ⁴	105.54cm ⁴	116.75cm ⁴
	105.81cm ⁴	113.08cm ⁴	116.75cm ⁴	127.96cm ⁴

Do Not Scale From This Drawing

Doors-Open In & Out

$f_{max} = B/200 < 15mm$
 max sash weight = 100kg
 max sash width = 1200mm
 max sash height = 2500mm

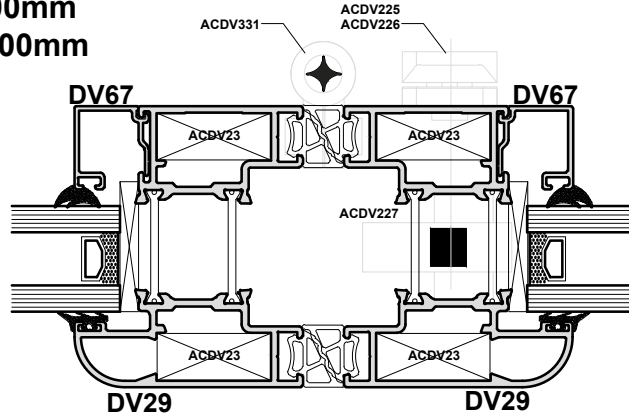


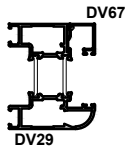
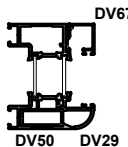
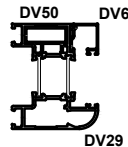
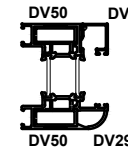
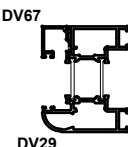
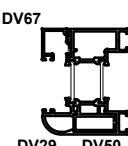
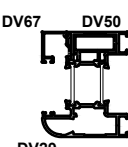
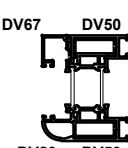
				
	85.22cm ⁴	92.22cm ⁴	96.57cm ⁴	107.44cm ⁴
	92.22cm ⁴	99.22cm ⁴	103.57cm ⁴	114.44cm ⁴
	96.57cm ⁴	103.57cm ⁴	107.92cm ⁴	118.79cm ⁴
	107.44cm ⁴	114.44cm ⁴	118.79cm ⁴	129.66cm ⁴

Do Not Scale From This Drawing

Doors-Open In & Out

f_{max} = B/200 < 15mm
max sash weight = 100kg
max sash width = 1200mm
max sash height = 2500mm



				
	83.00cm ⁴	90.28cm ⁴	93.95cm ⁴	105.16cm ⁴
	90.28cm ⁴	97.56cm ⁴	101.23cm ⁴	112.44cm ⁴
	93.95cm ⁴	101.23cm ⁴	104.90cm ⁴	116.11cm ⁴
	105.16cm ⁴	112.44cm ⁴	116.11cm ⁴	127.32cm ⁴

Do Not Scale From This Drawing

Doors-Open In & Out

Do Not Scale From This Drawing

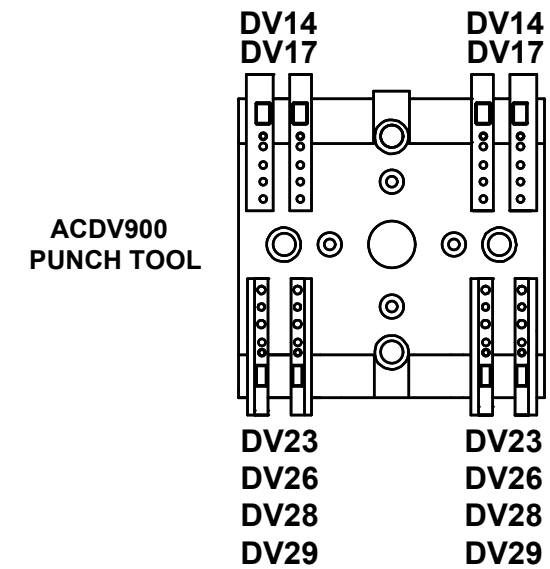
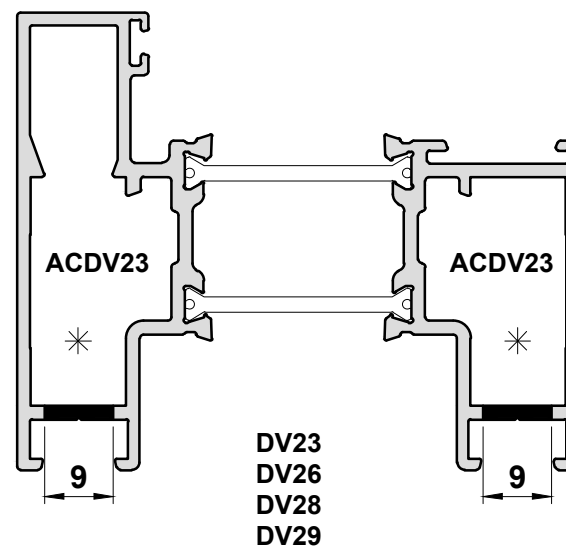
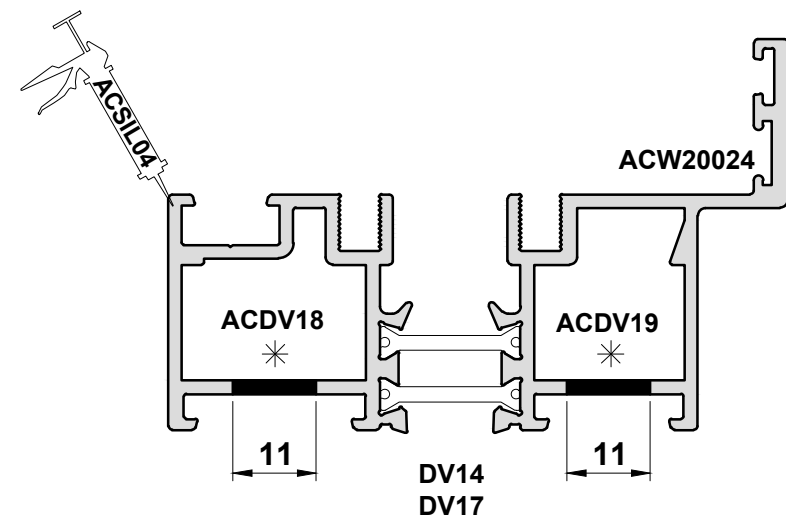
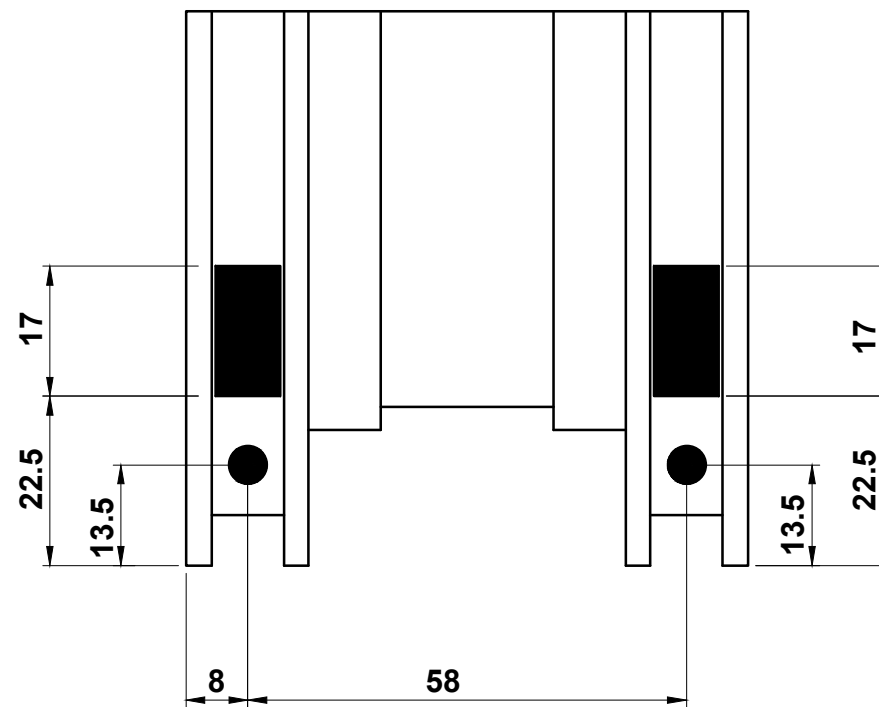
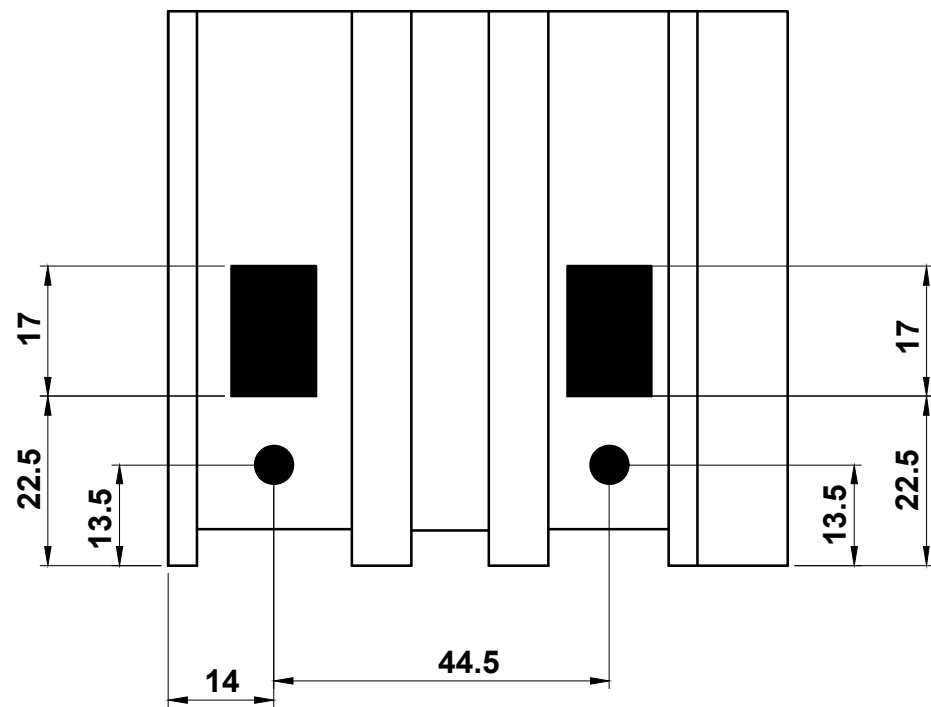
Section E

Construction Drawings - Open Out

Corner, Threshold & Transom Jointing.....	Page E03-E05
Drainage.....	Page E06
Locking Hardware.....	Page E07-E26
Flush Handle Installation.....	Page E27
DV50 Sash Reinforcement.....	Page E28
Adjustable Jamb.....	Page E29
DV32/DV38 Preparation.....	Page E30
Weather Seals.....	Page E31-E33
Hinges.....	Page E34-E35
Glazing.....	Page E36
Magnetic Catch.....	Page E37-E38
Glass Adjuster Kit	Page E39
90° Corner Assembly Post	Page E40
DV17 & DV176 Assembly.....	Page E41
PAS24:2016 Details	Page E42-E43
ACDV291N Restrictor	Page E44-E45

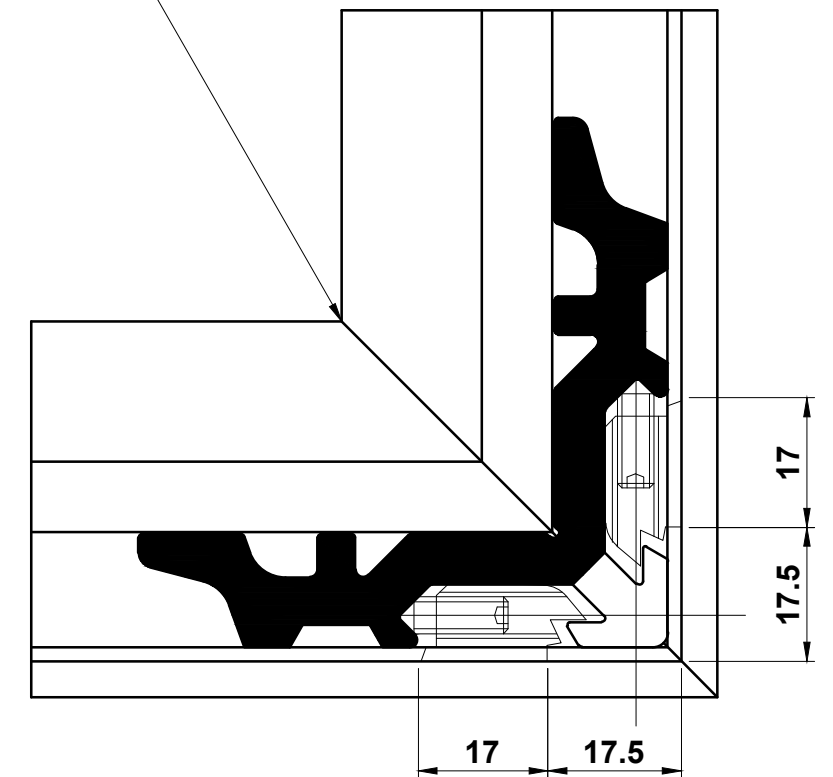


Corner Preparation



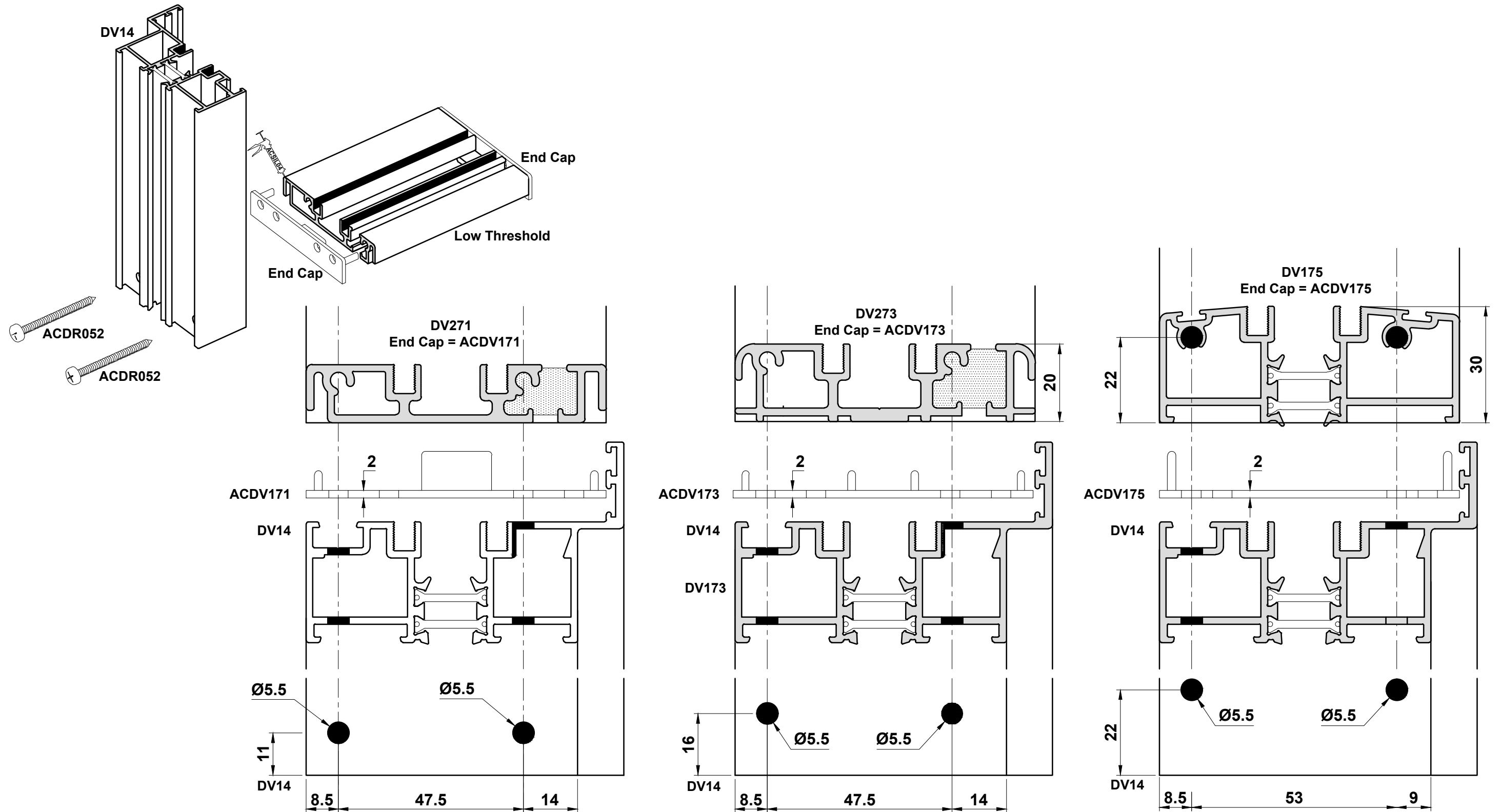
ACDV900
PUNCH TOOL

COAT CUT FACE OF PROFILE WITH ACSIL04
PRIOR TO MECHANICALLY JOINING

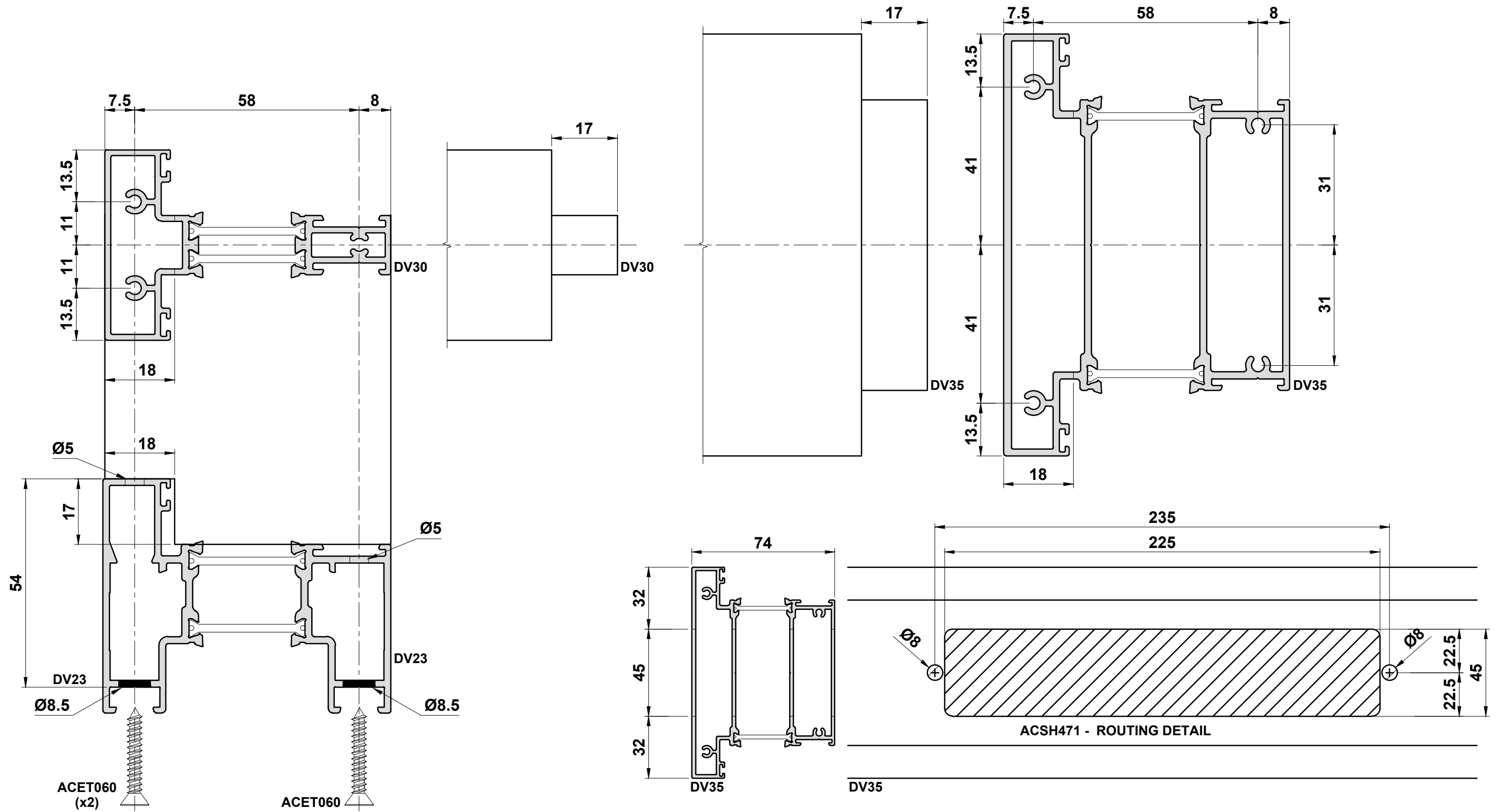


APPLY GLUE (ACSIL013) TO CLEAT APERTURE MARKED *

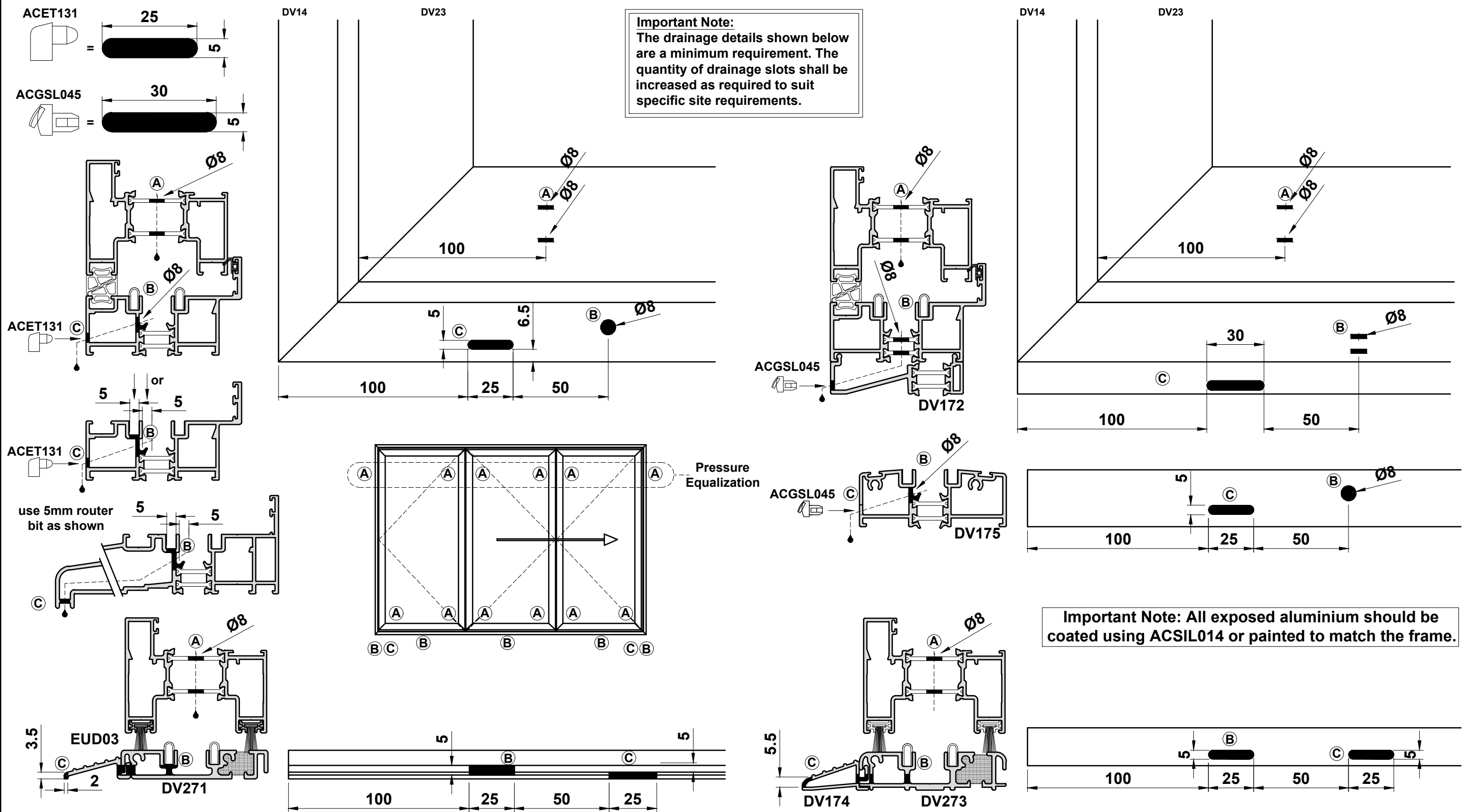
Low Threshold Preparation



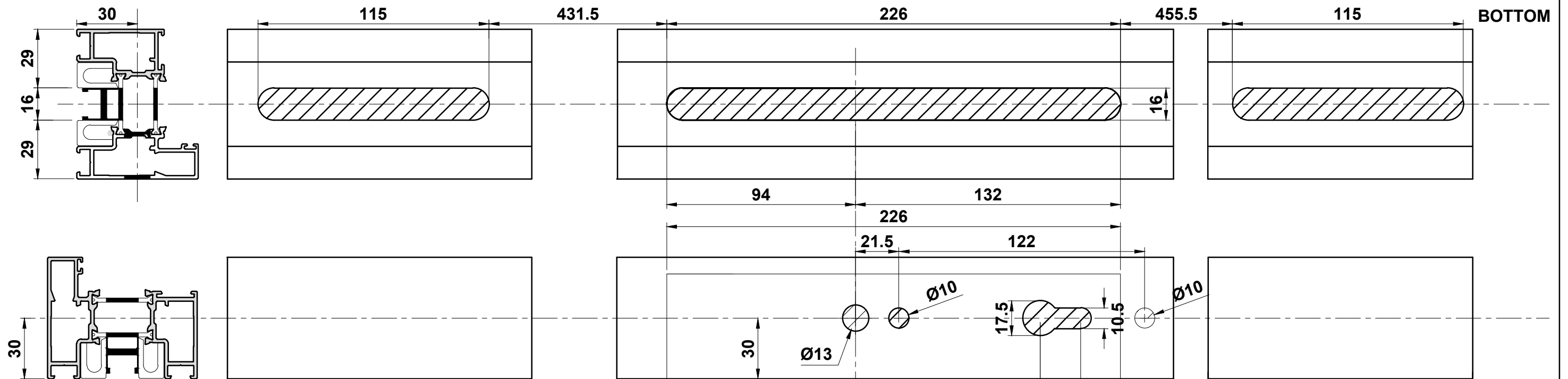
DV30 & DV35 Mid-Rail Preparation



Drainage Details



ACDV722/ACDV723 Preparation in DV23 & DV26 Locking into DV23 & DV26 with ACDV251 Handle

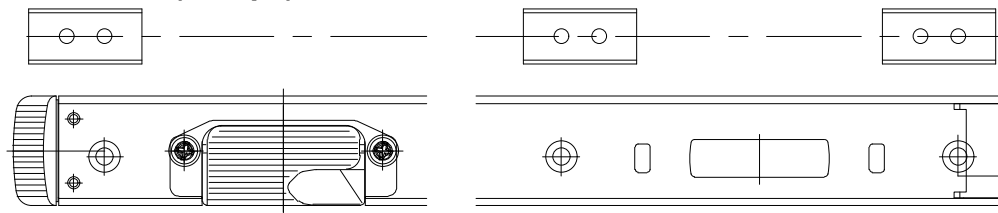


Undo this grub screw to rotate latch

Additional locking point not shown on drawing

Keep Location

ACDV270 (9 req'd)

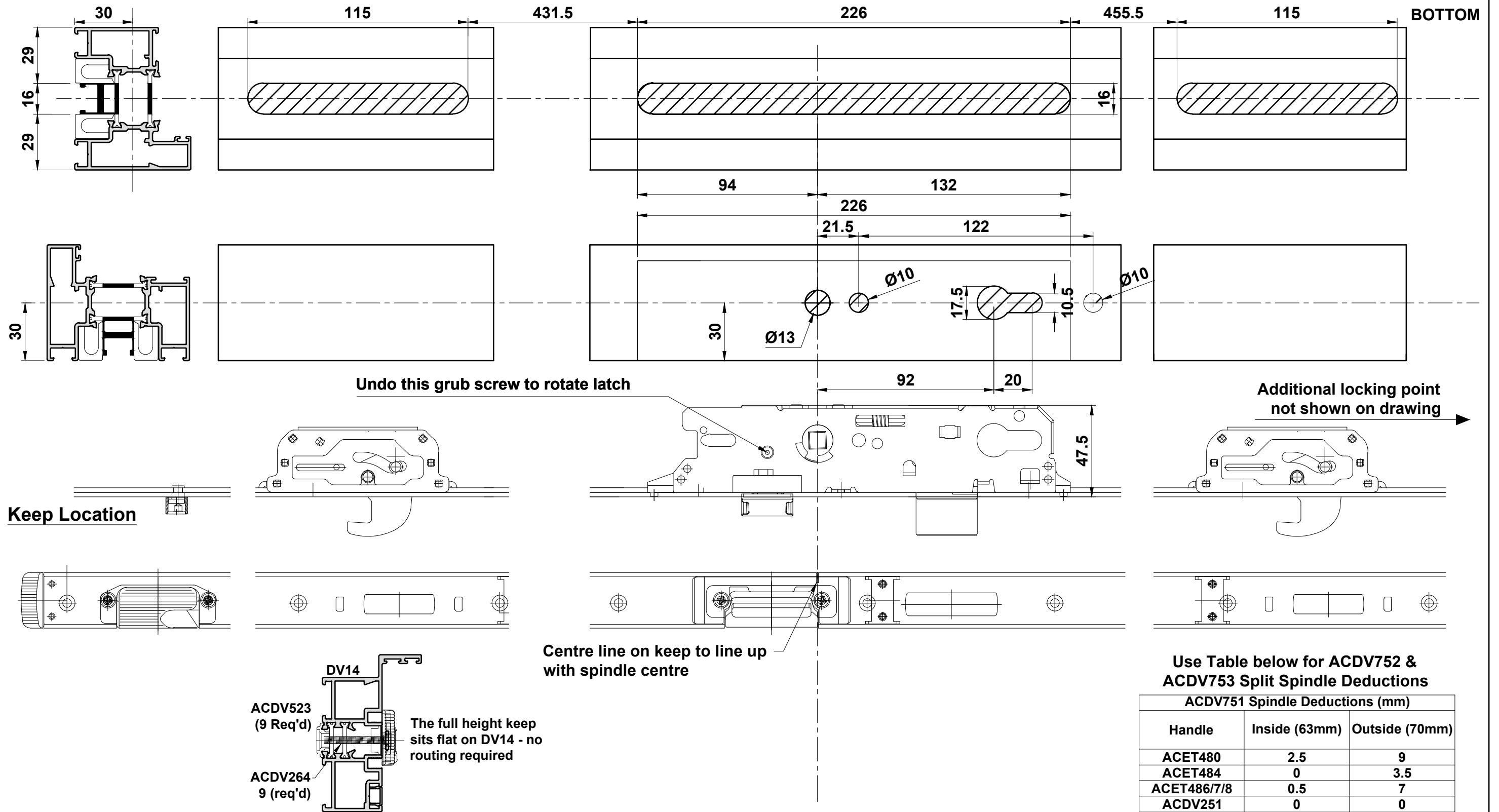


Centre line on keep to line up with spindle centre

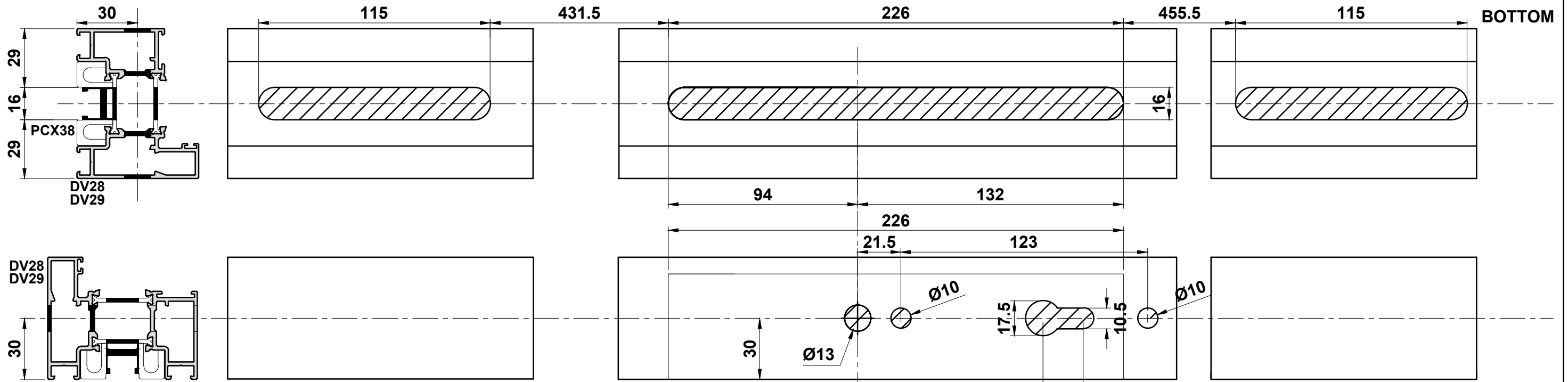
Use Table below for ACDV752 & ACDV753 Split Spindle Deductions

ACDV751 Spindle Deductions (mm)		
Handle	Inside (63mm)	Outside (70mm)
ACET480	2.5	9
ACET484	0	3.5
ACET486/7/8	0.5	7
ACDV251	0	0

ACDV722/ACDV723 Preparation in DV23 & DV26 Locking into DV14 with ACDV251 Handle



ACDV722/ACDV723 Preparation in DV28 & DV29 Locking into DV75 with ACDV251 Handle

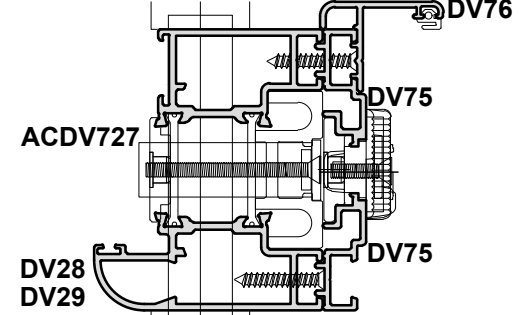
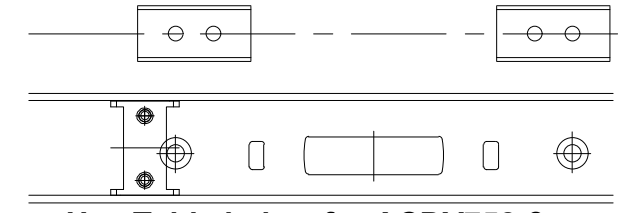
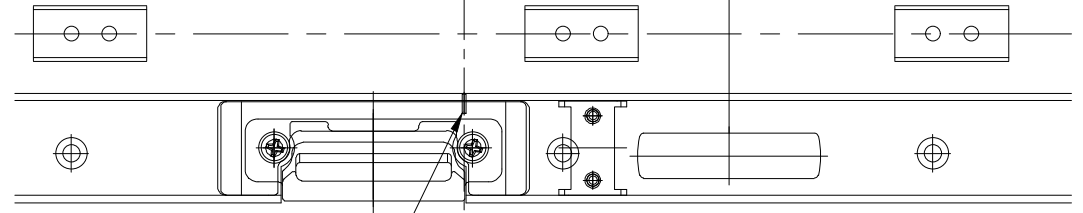
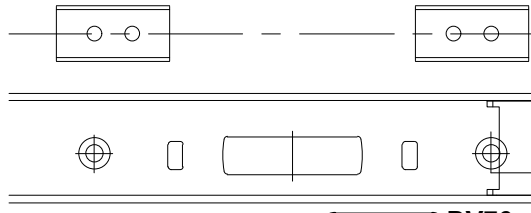
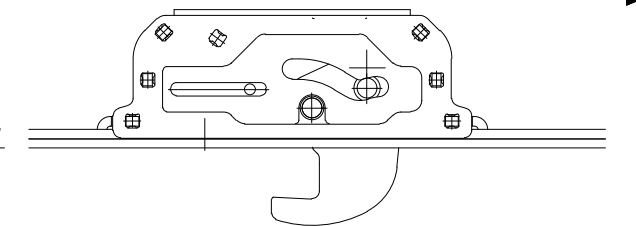
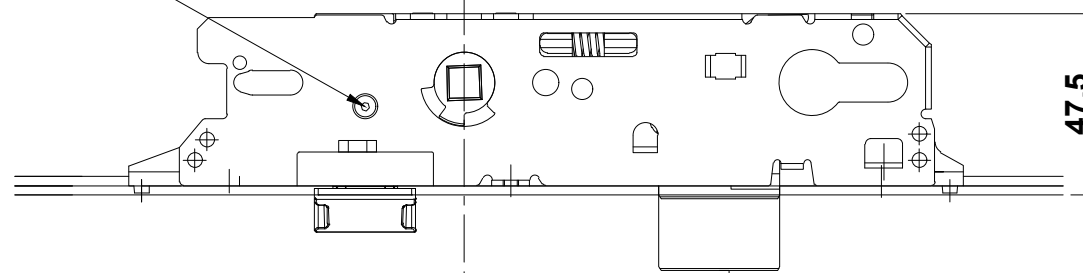
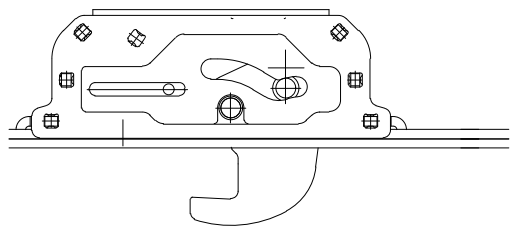
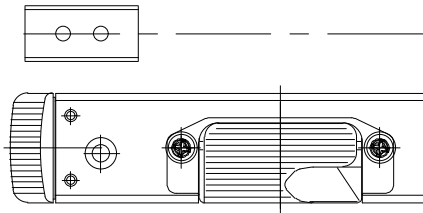


Undo this grub screw to rotate latch

Additional locking point not shown on drawing

Keep Location

ACDV270 (9 req'd)

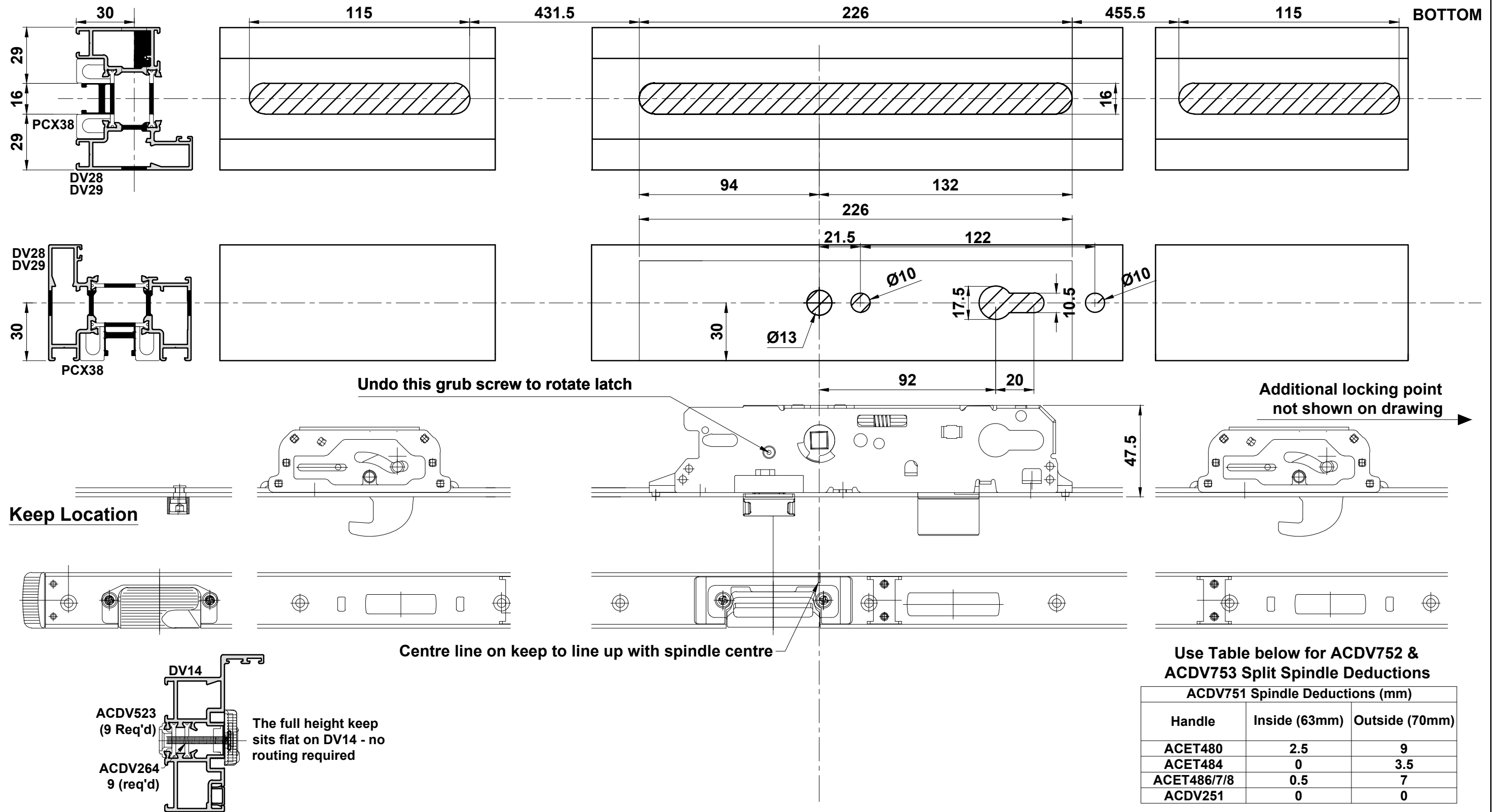


Centre line on keep to line up with spindle centre

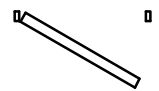
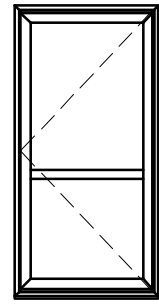
Use Table below for ACDV752 & ACDV753 Split Spindle Deductions

ACDV751 Spindle Deductions (mm)		
Handle	Inside (63mm)	Outside (70mm)
ACET480	2.5	9
ACET484	0	3.5
ACET486/7/8	0.5	7
ACDV251	0	0

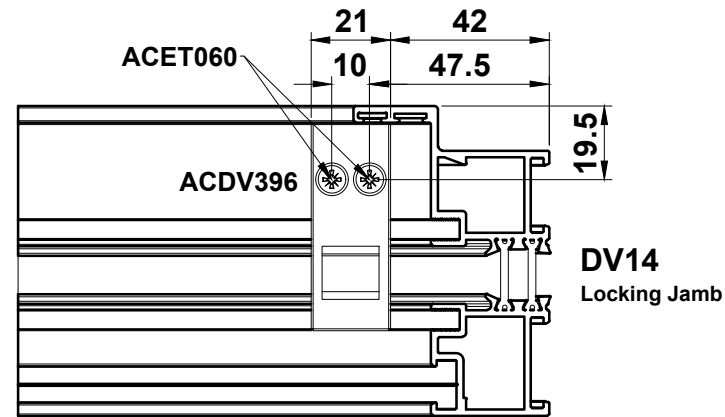
ACDV722/ACDV723 Preparation DV28 & DV29 Locking into DV14 with ACDV251 Handle



ACDV396 Shootbolt Keep Detail for Single Doors



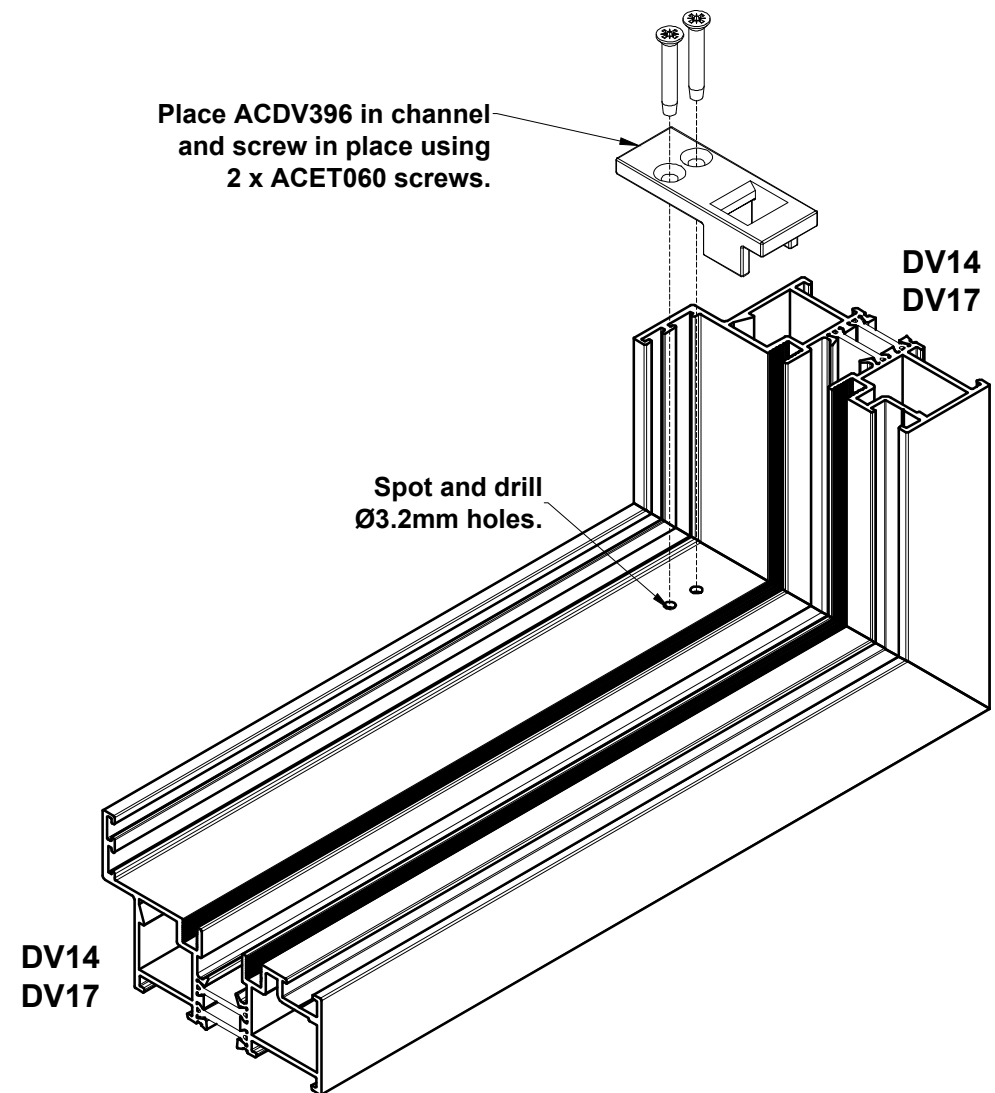
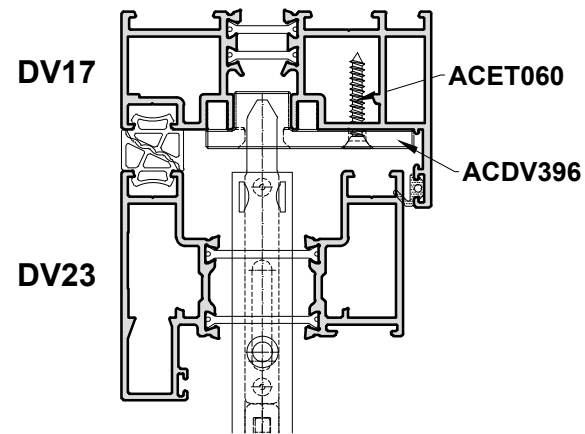
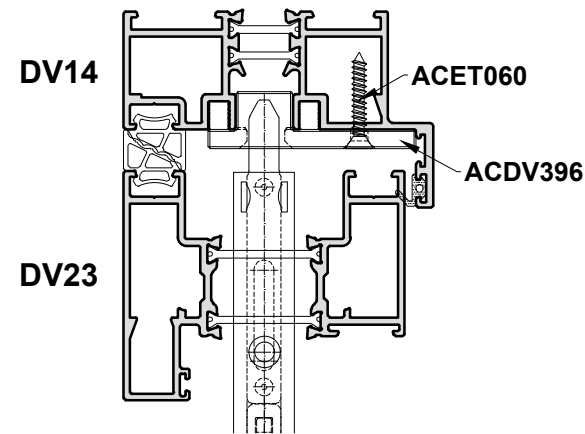
Viewed from Bottom



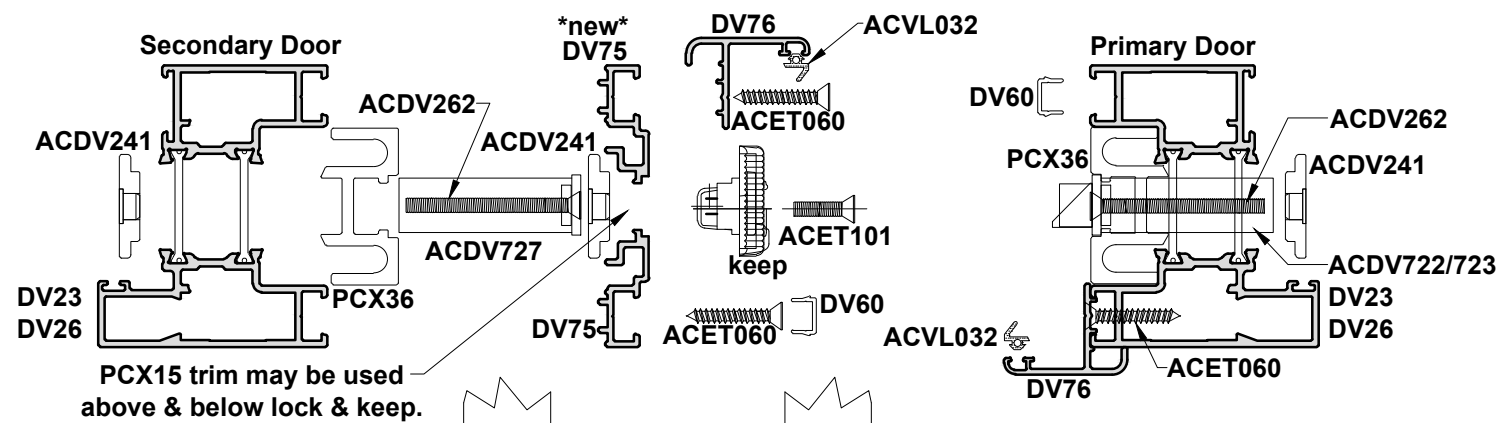
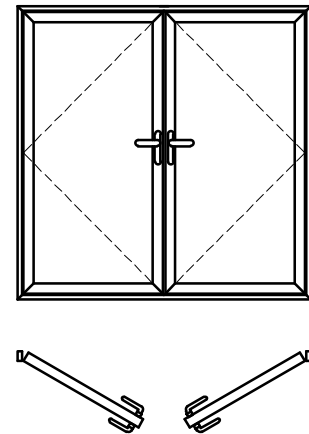
Important Note
ACDV396 is only compatible with DV14, DV17 and DV176.

It is recommended that ACDV396 keep to be installed in the head of doors where Sash Height exceeds 2300mm.

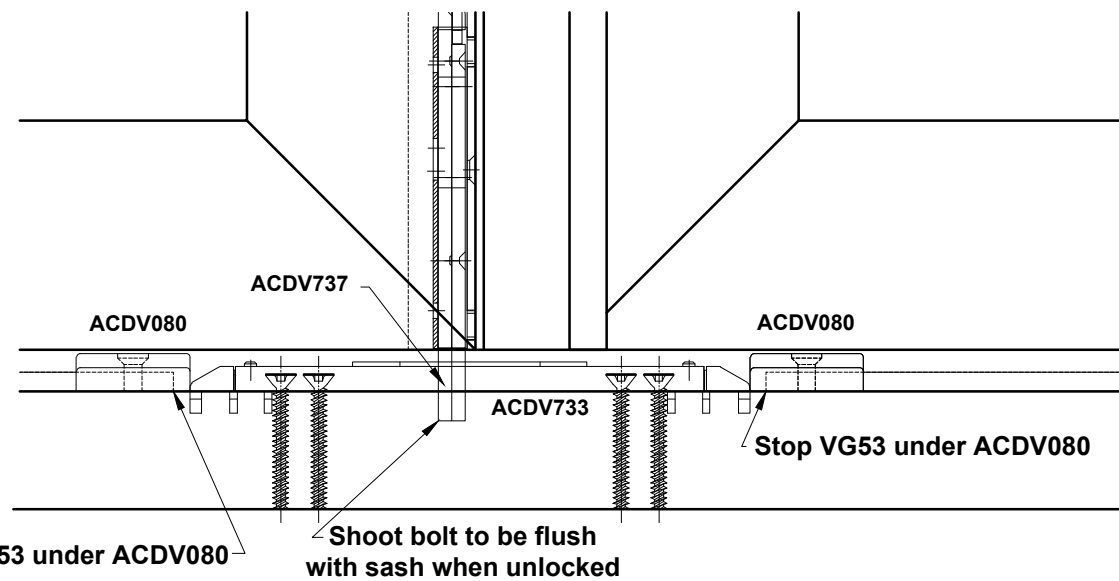
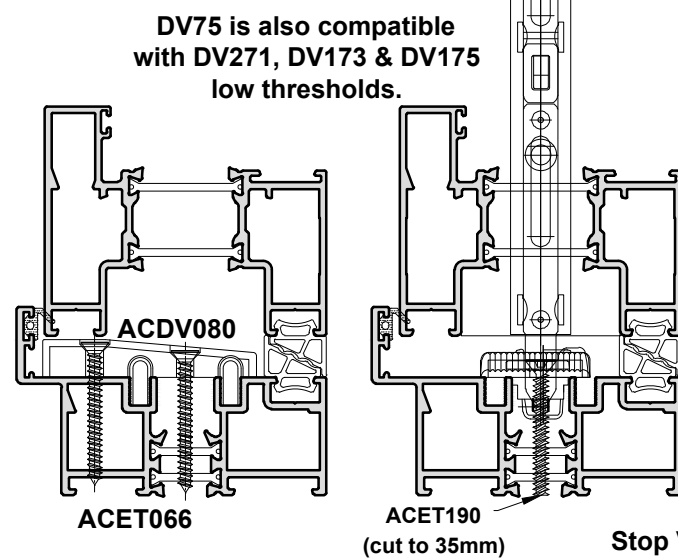
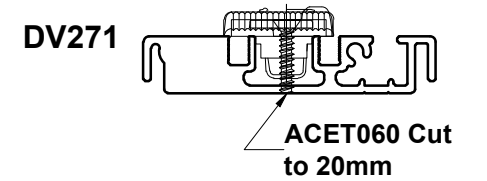
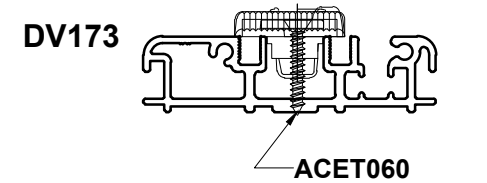
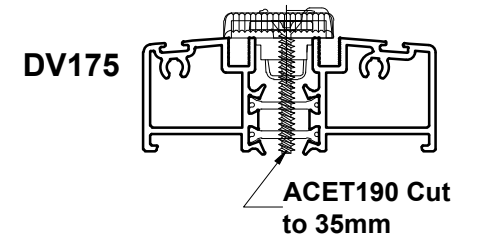
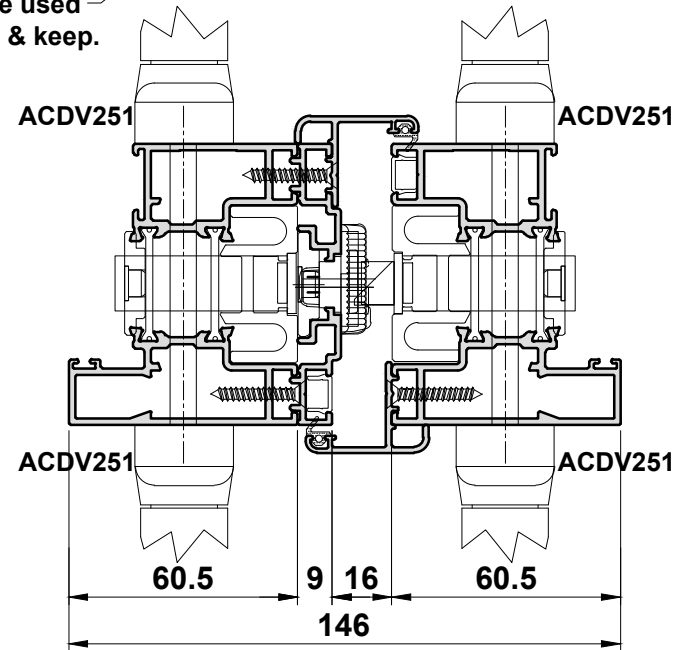
Place ACDV396 in channel and screw in place using 2 x ACET060 screws.



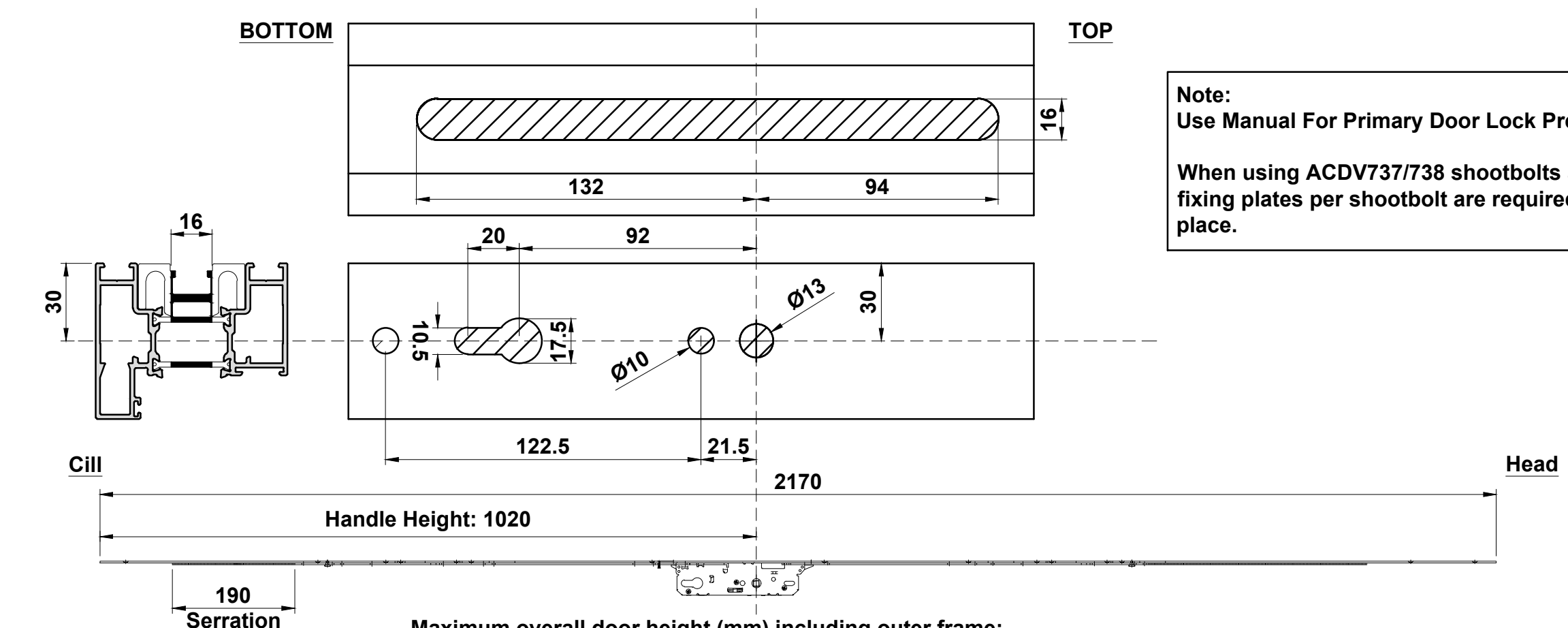
Lever/Lever Handles to Primary & Secondary Leaf



Notes:
 When using DV28 or DV29 as the sash, use PCX38 instead of PCX36



ACDV727 Preparation with ACDV251 Handle



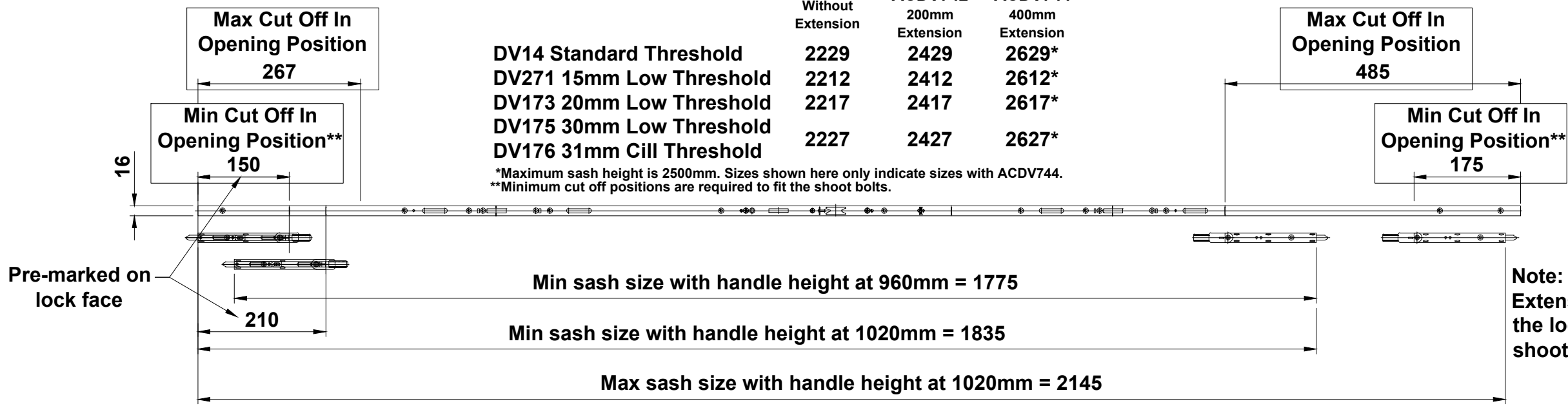
Note:
Use Manual For Primary Door Lock Preparation Details.

When using ACDV737/738 shootbolts an additional 2 x fixing plates per shootbolt are required to secure in place.

Maximum overall door height (mm) including outer frame:

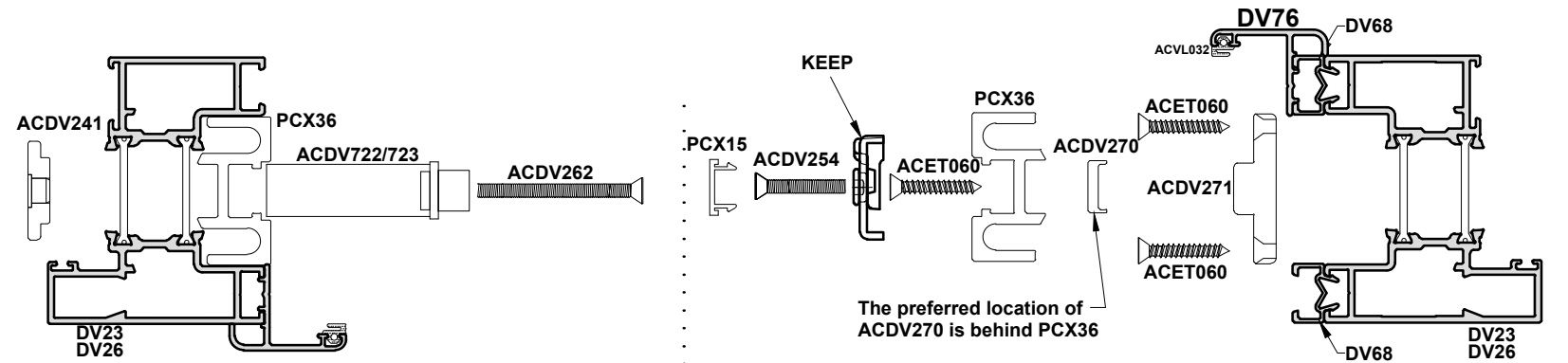
	Without Extension	ACDV742 200mm Extension	ACDV744 400mm Extension
DV14 Standard Threshold	2229	2429	2629*
DV271 15mm Low Threshold	2212	2412	2612*
DV173 20mm Low Threshold	2217	2417	2617*
DV175 30mm Low Threshold	2227	2427	2627*
DV176 31mm Cill Threshold	2227	2427	2627*

*Maximum sash height is 2500mm. Sizes shown here only indicate sizes with ACDV744.
**Minimum cut off positions are required to fit the shoot bolts.

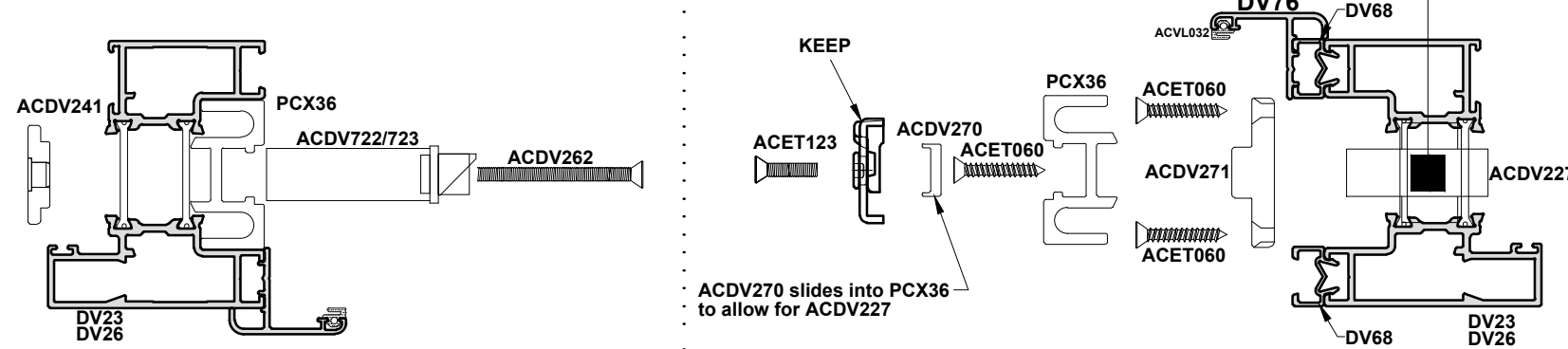


Primary Sash Lock & Secondary Sash Keep Preparation

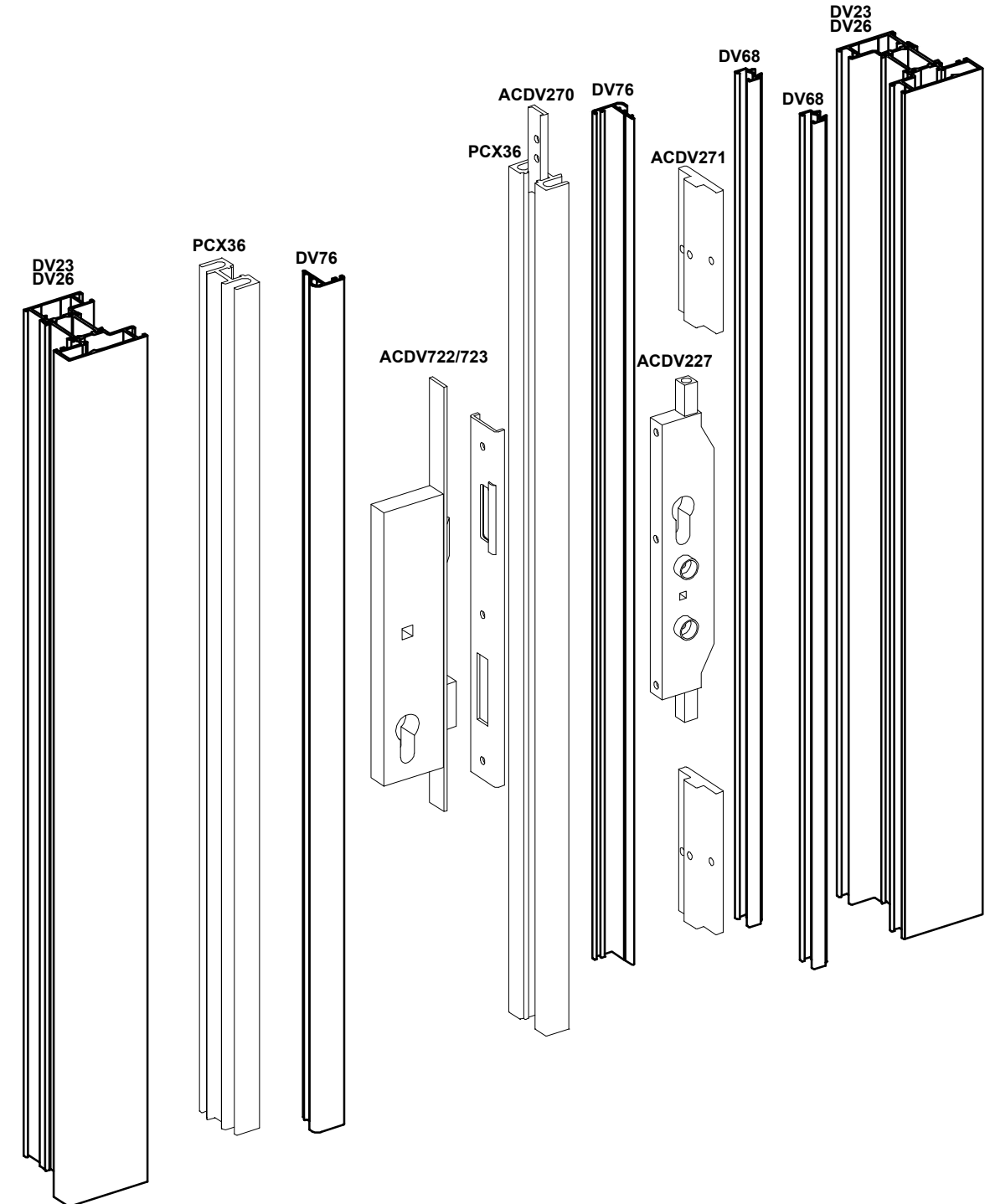
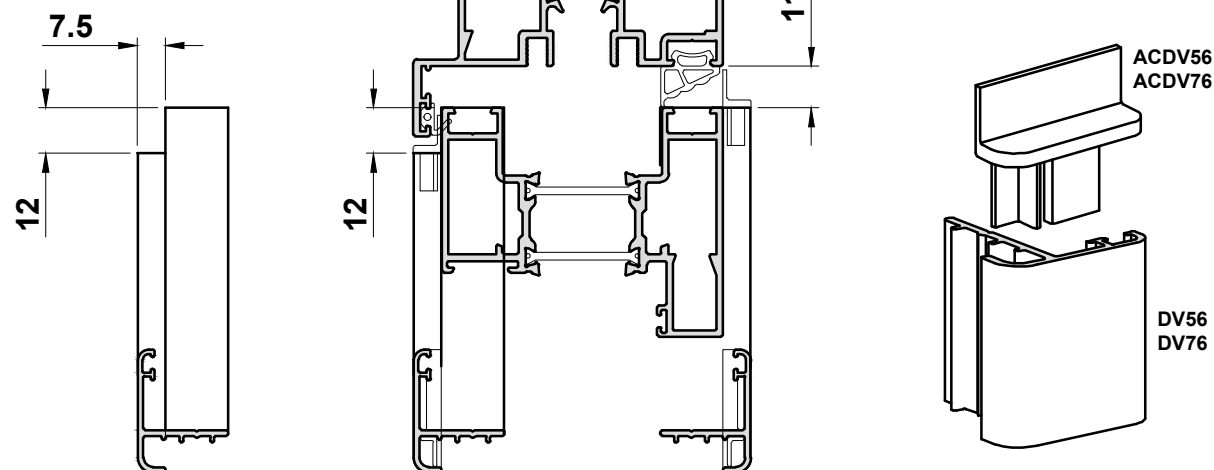
Assembly for Full Height Keep



Assembly where keep is in line with ACDV227



DV56 & DV76 are cut to sash height and notched where closing against a rebate as shown.



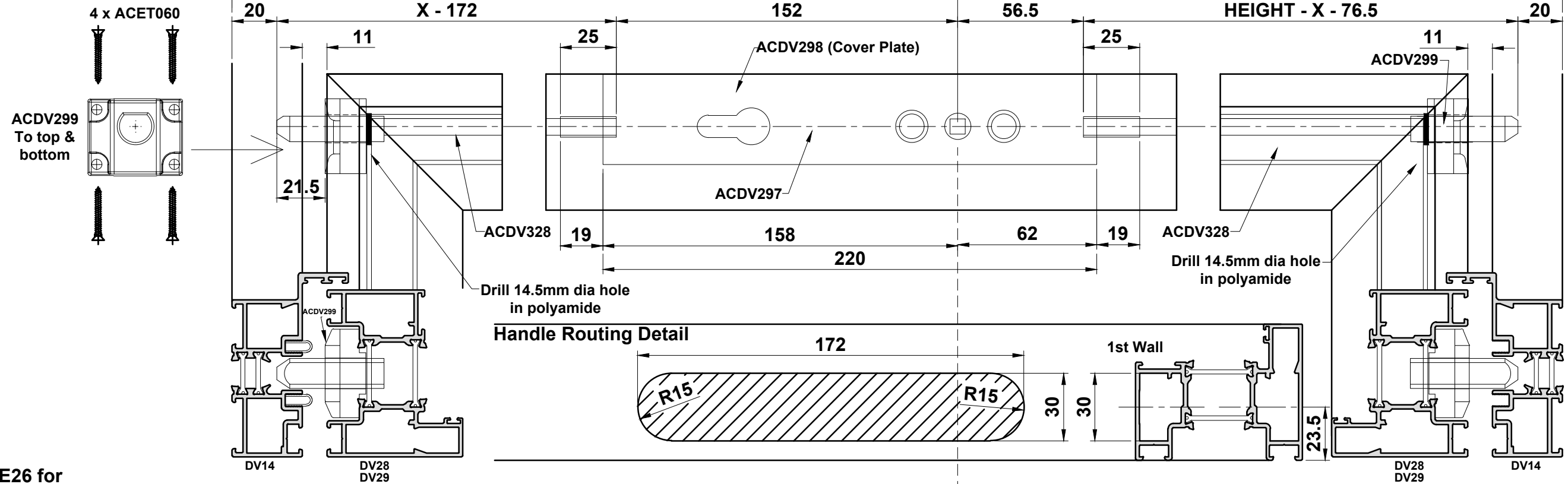
Important Note:
The detail shown on this page is not compatible with DV28 & DV29. DV75 must be used with lever/lever handles to the primary and secondary leaf.

ACDV297 Preparation with ACDV525 Handle

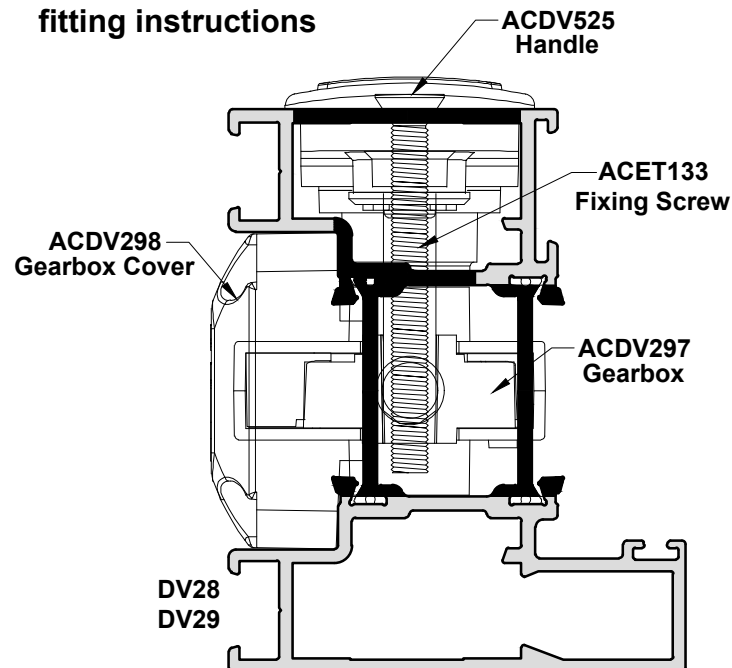
BOTTOM

(OVERALL DOOR) HEIGHT

TOP



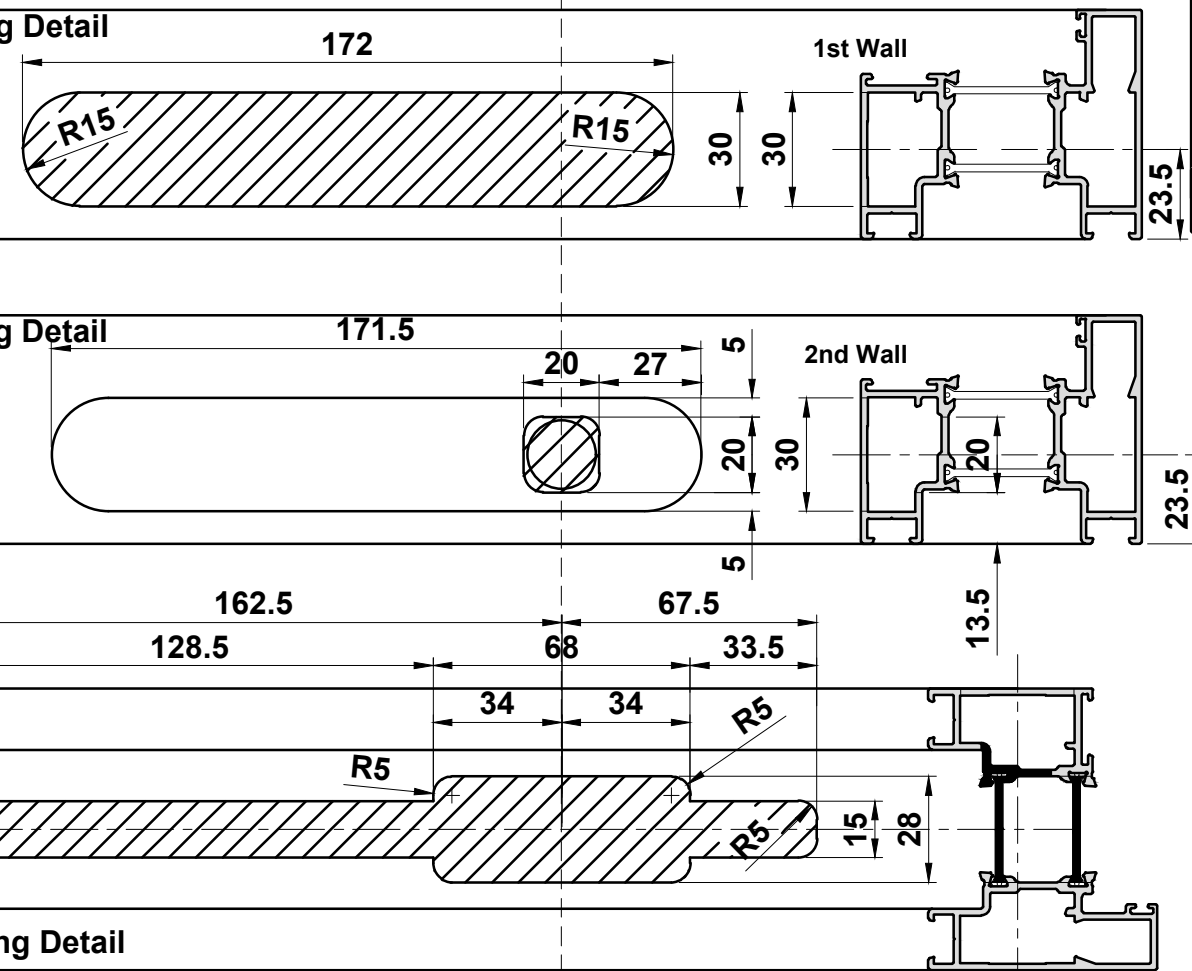
See Page E26 for fitting instructions



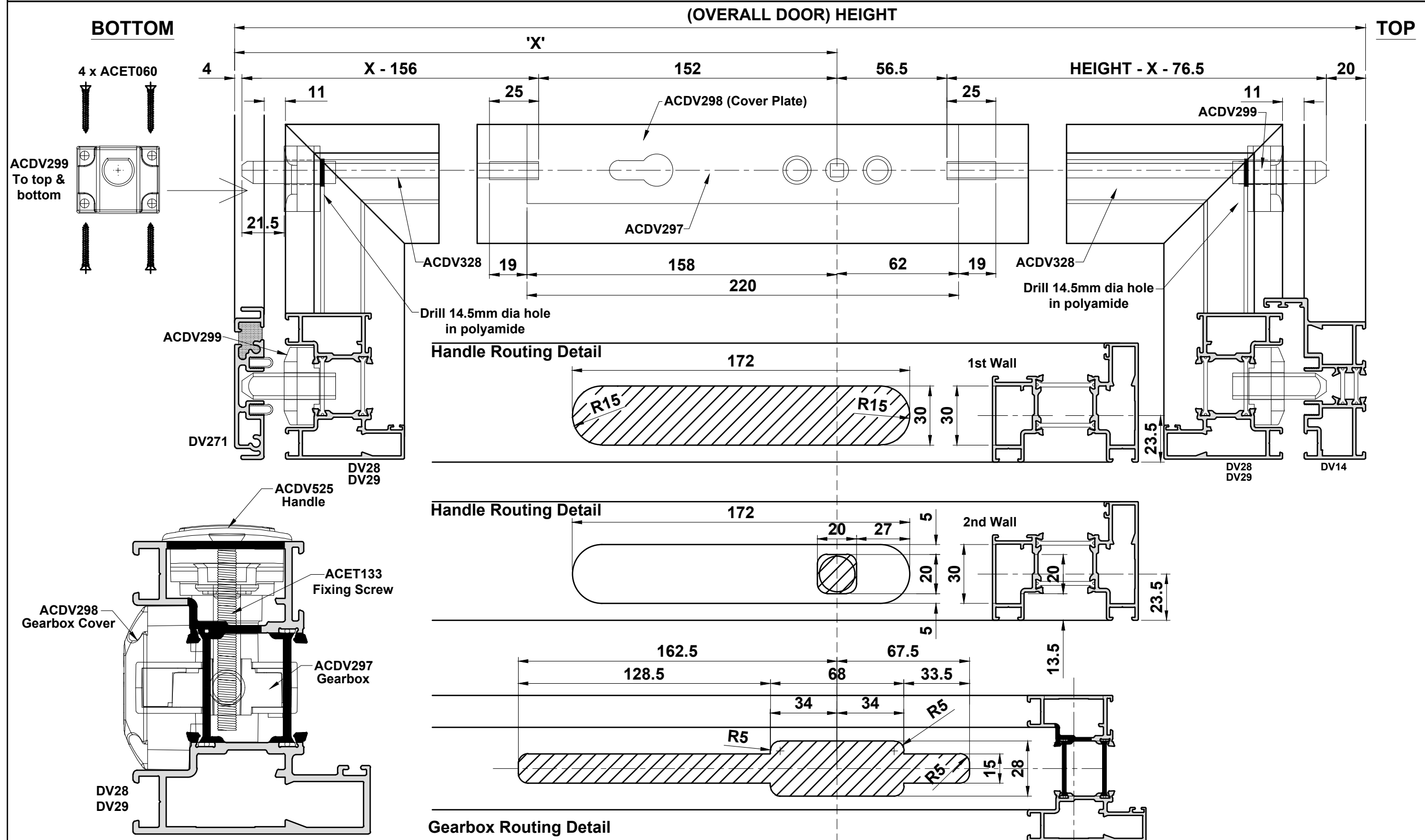
Handle Routing Detail

Handle Routing Detail

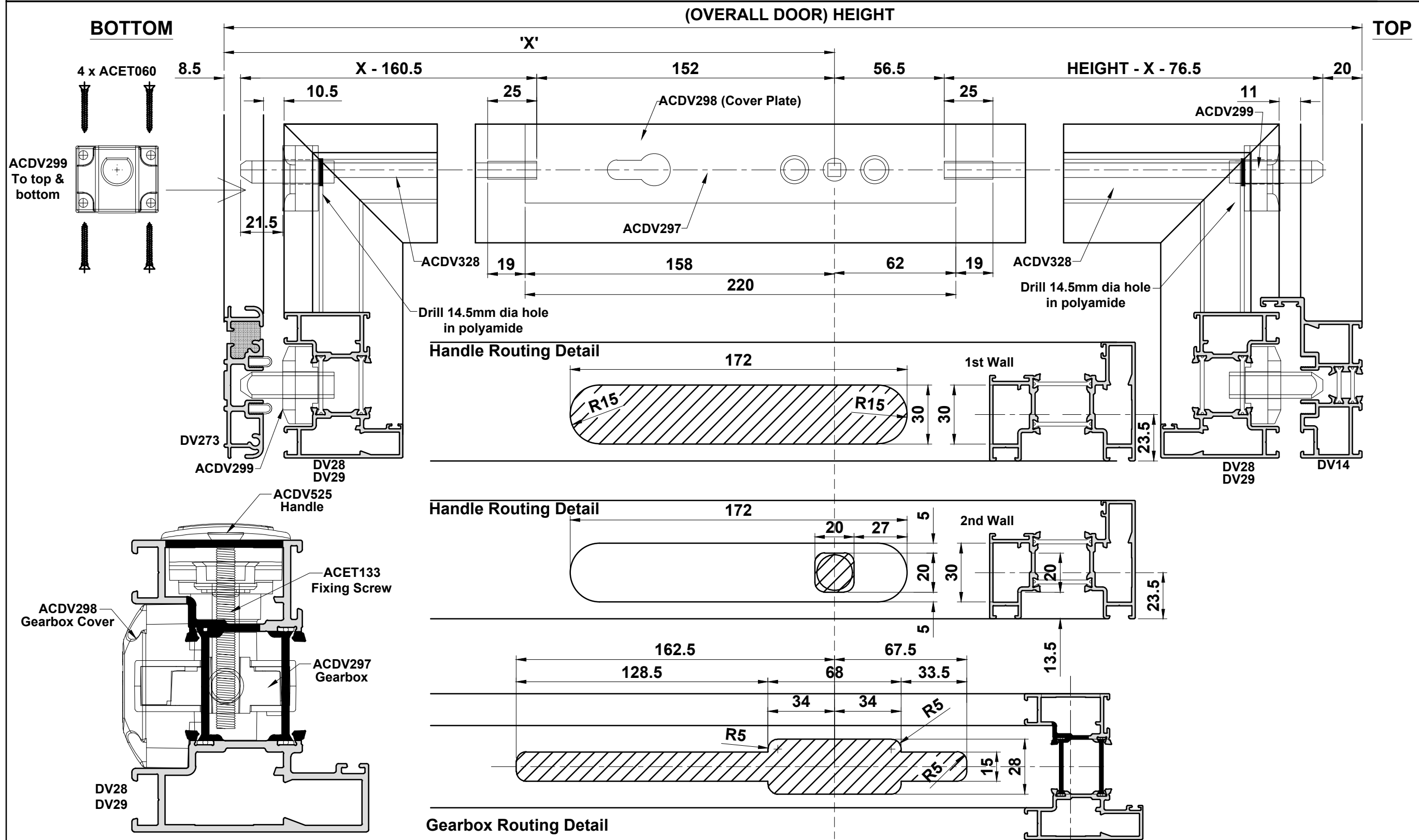
Gearbox Routing Detail



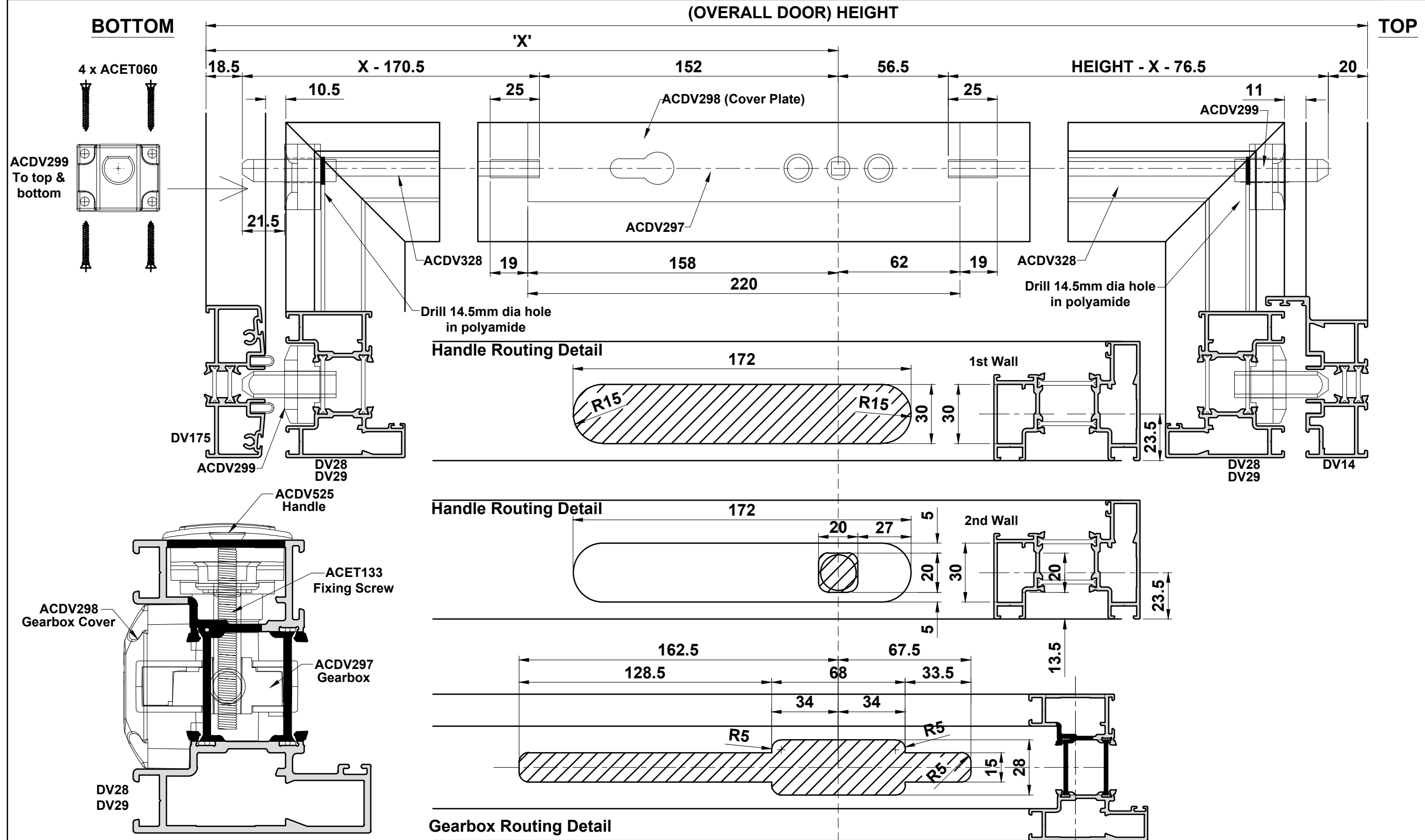
ACDV297 Preparation with ACDV525 Handle using DV271 Threshold



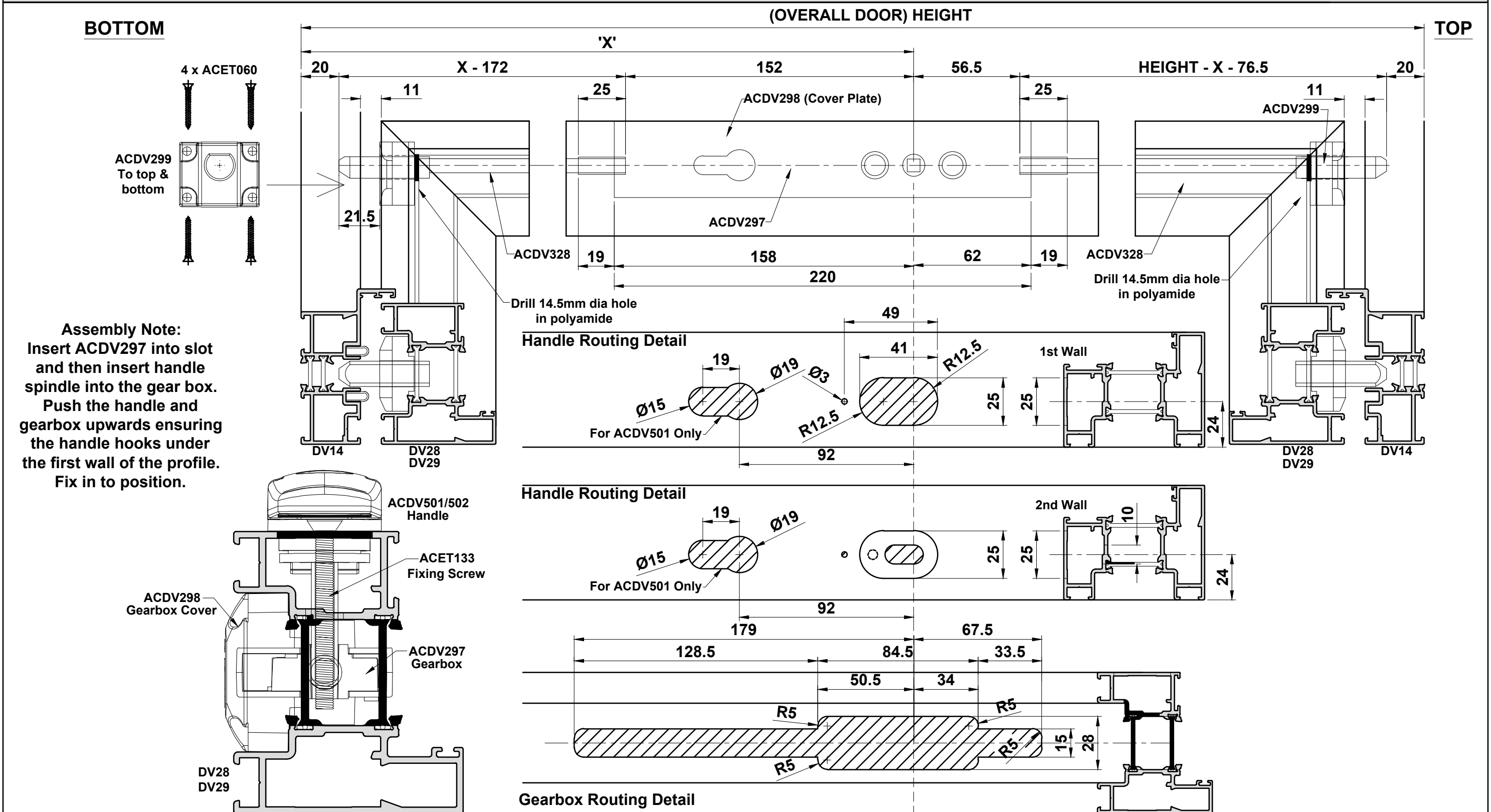
ACDV297 Preparation with ACDV525 Handle using DV273 Threshold



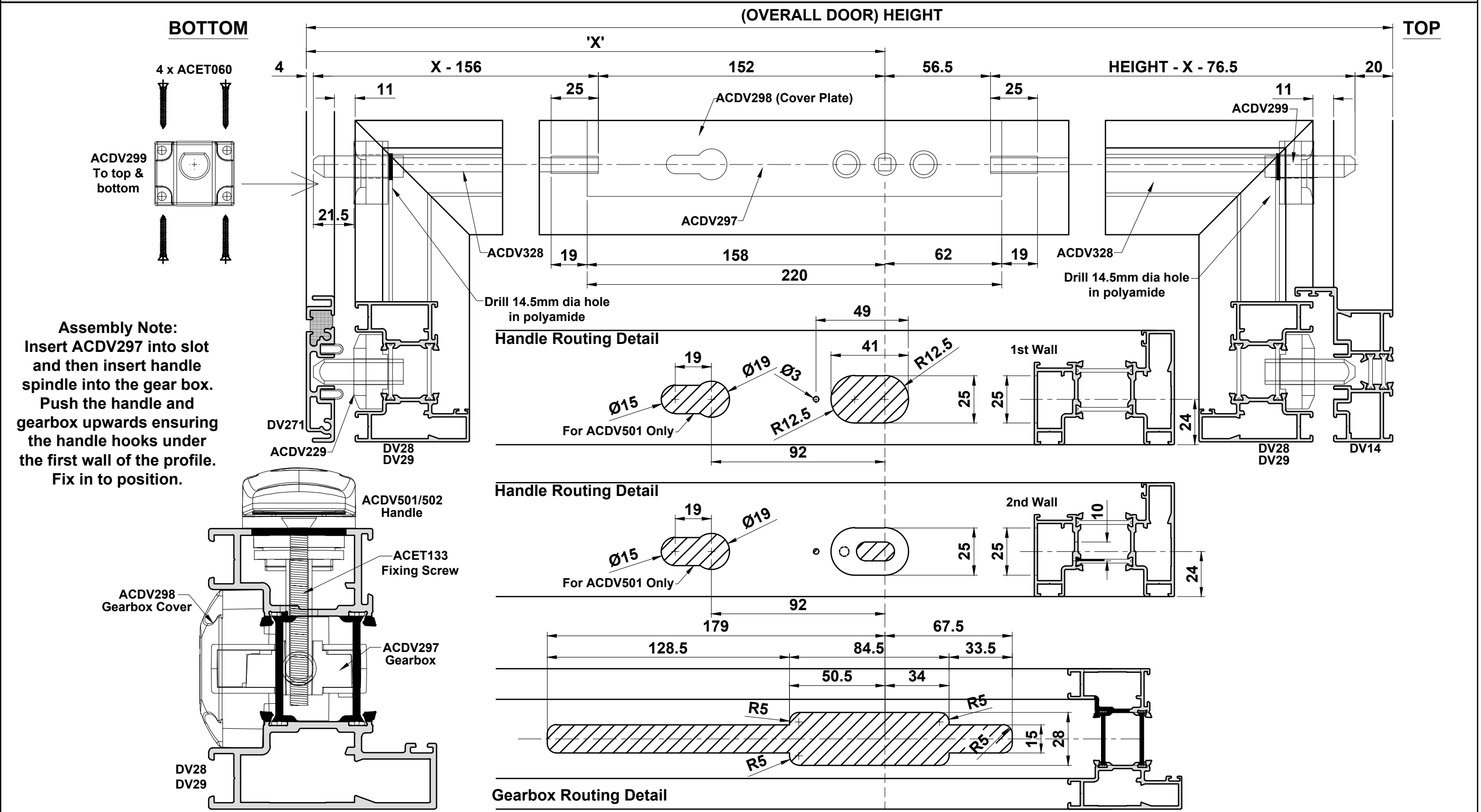
ACDV297 Preparation with ACDV525 Handle using DV175 Threshold



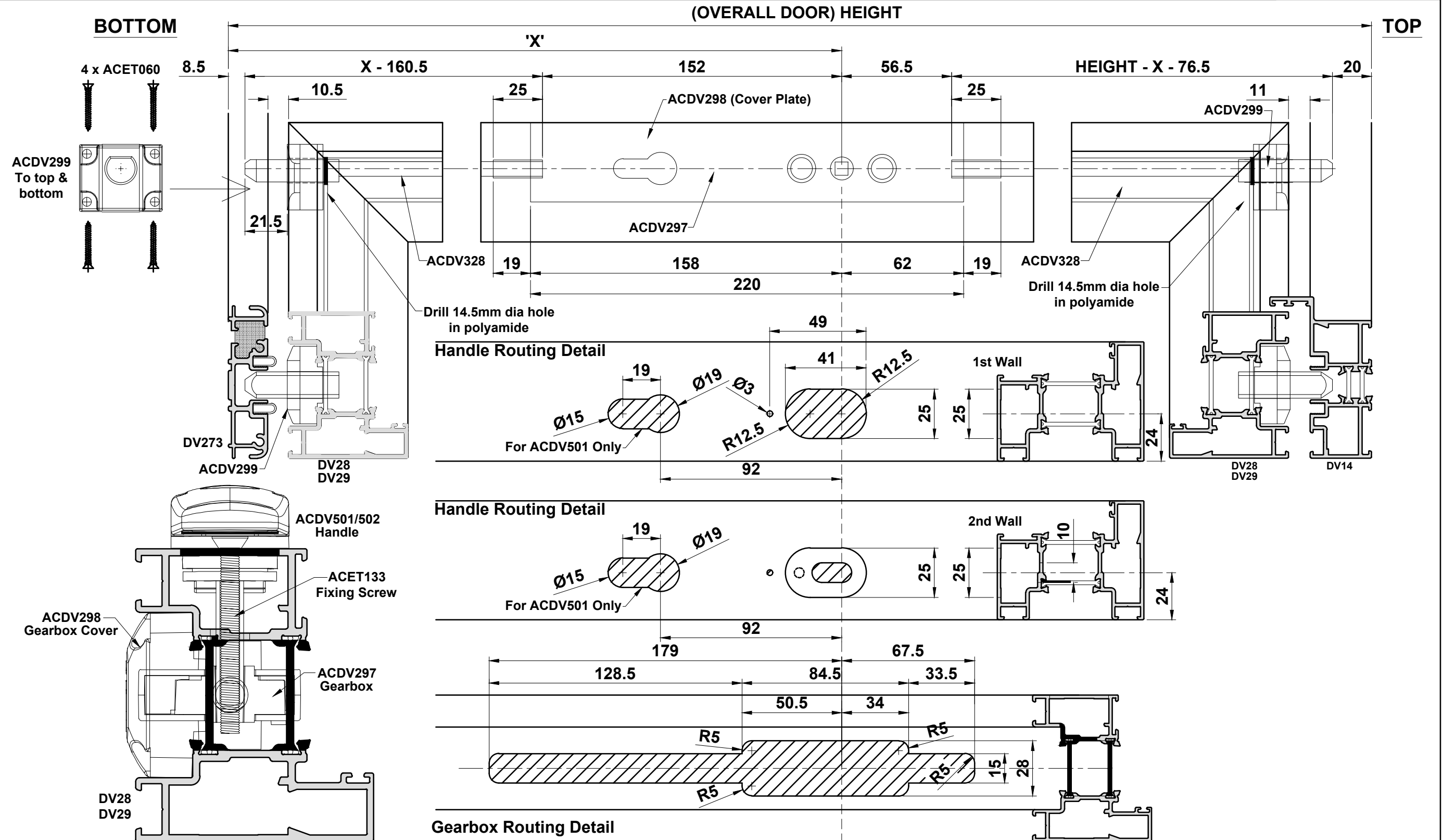
ACDV297 Preparation with ACDV501/ACDV502 Handle



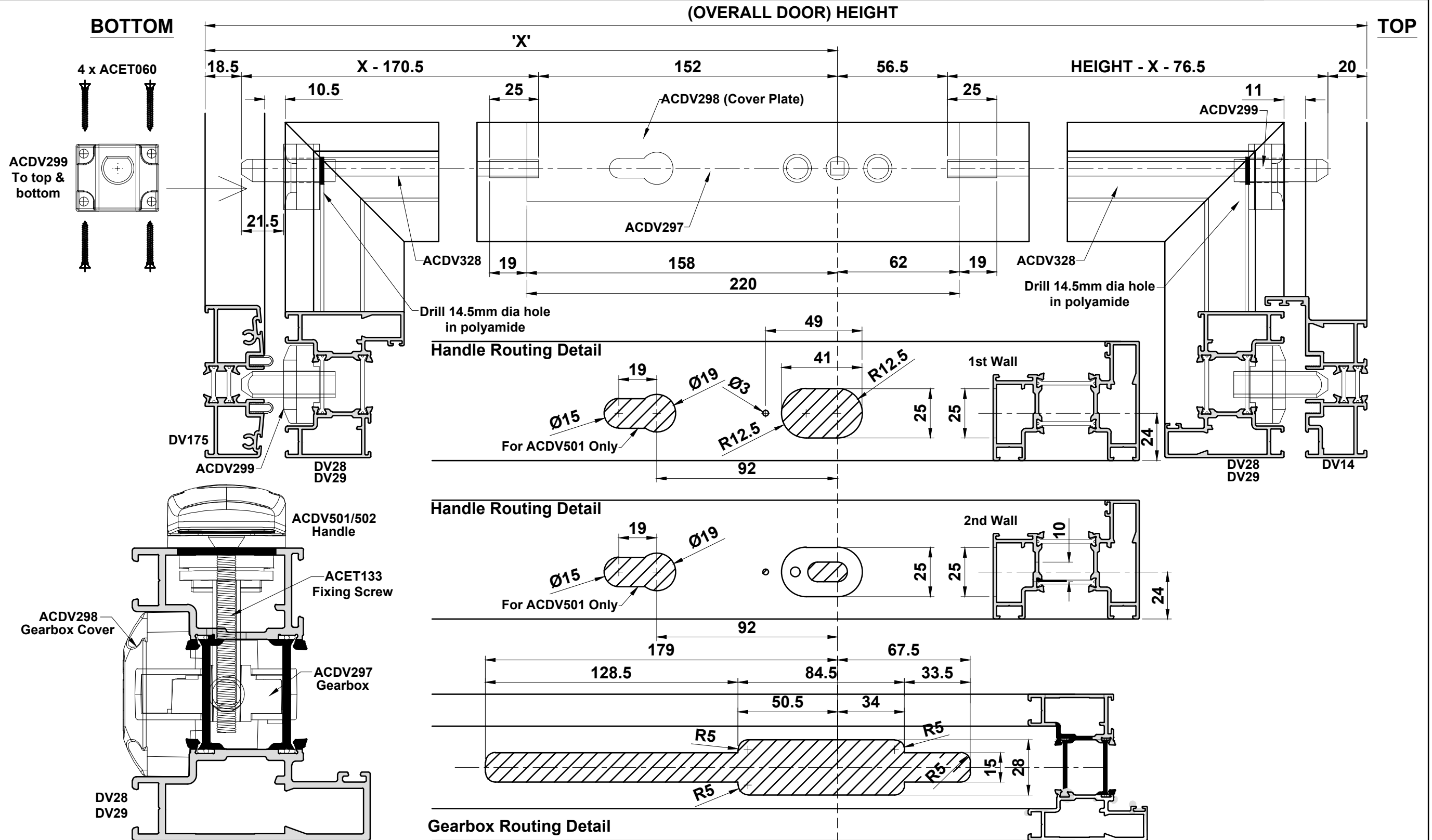
ACDV297 Preparation with ACDV501/ACDV502 Handle using DV271 Threshold



ACDV297 Preparation with ACDV501/ACDV502 Handle using DV273 Threshold



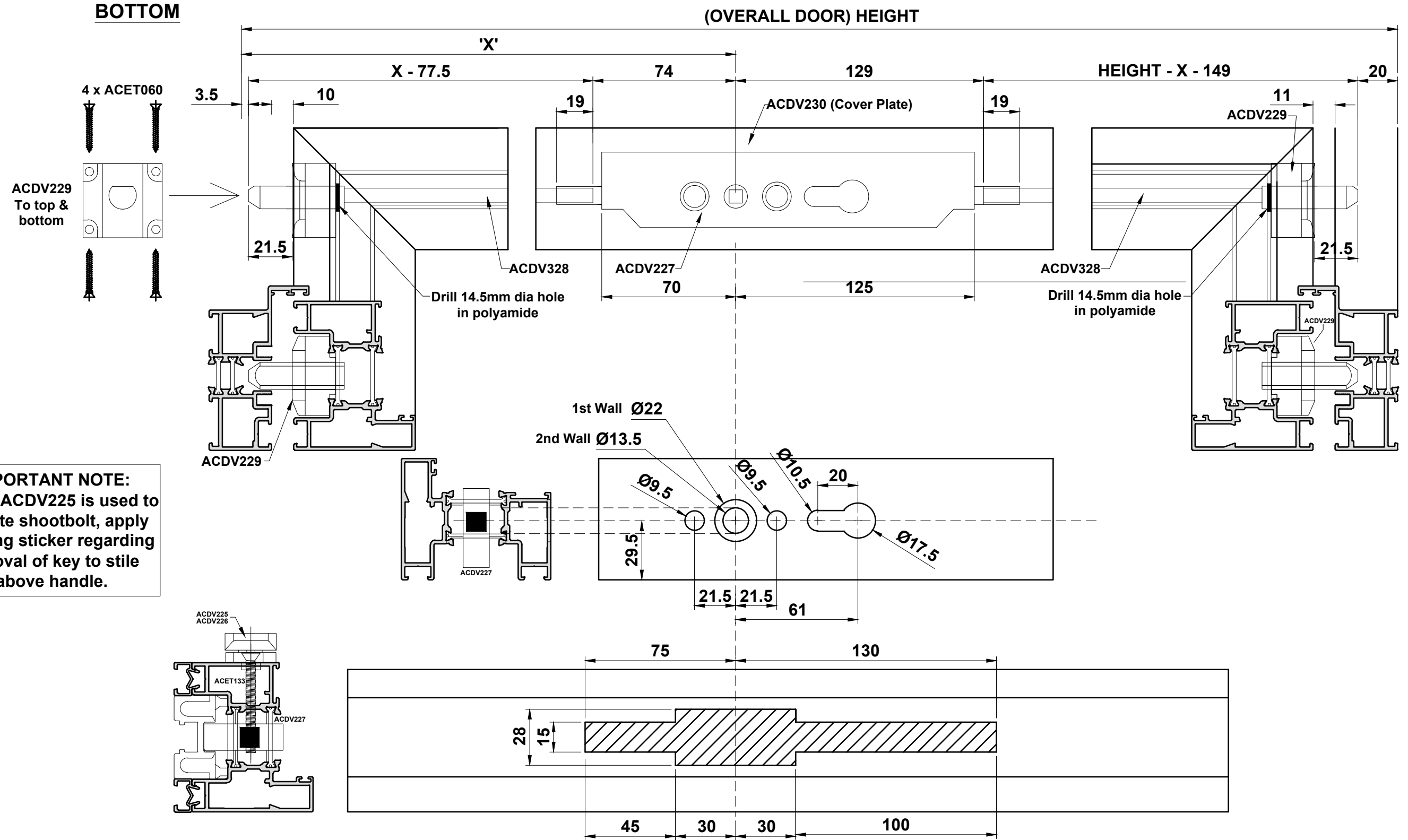
ACDV297 Preparation with ACDV501/ACDV502 Handle using DV175 Threshold



ACDV227 Preparation with ACDV225/ACDV226 Handle

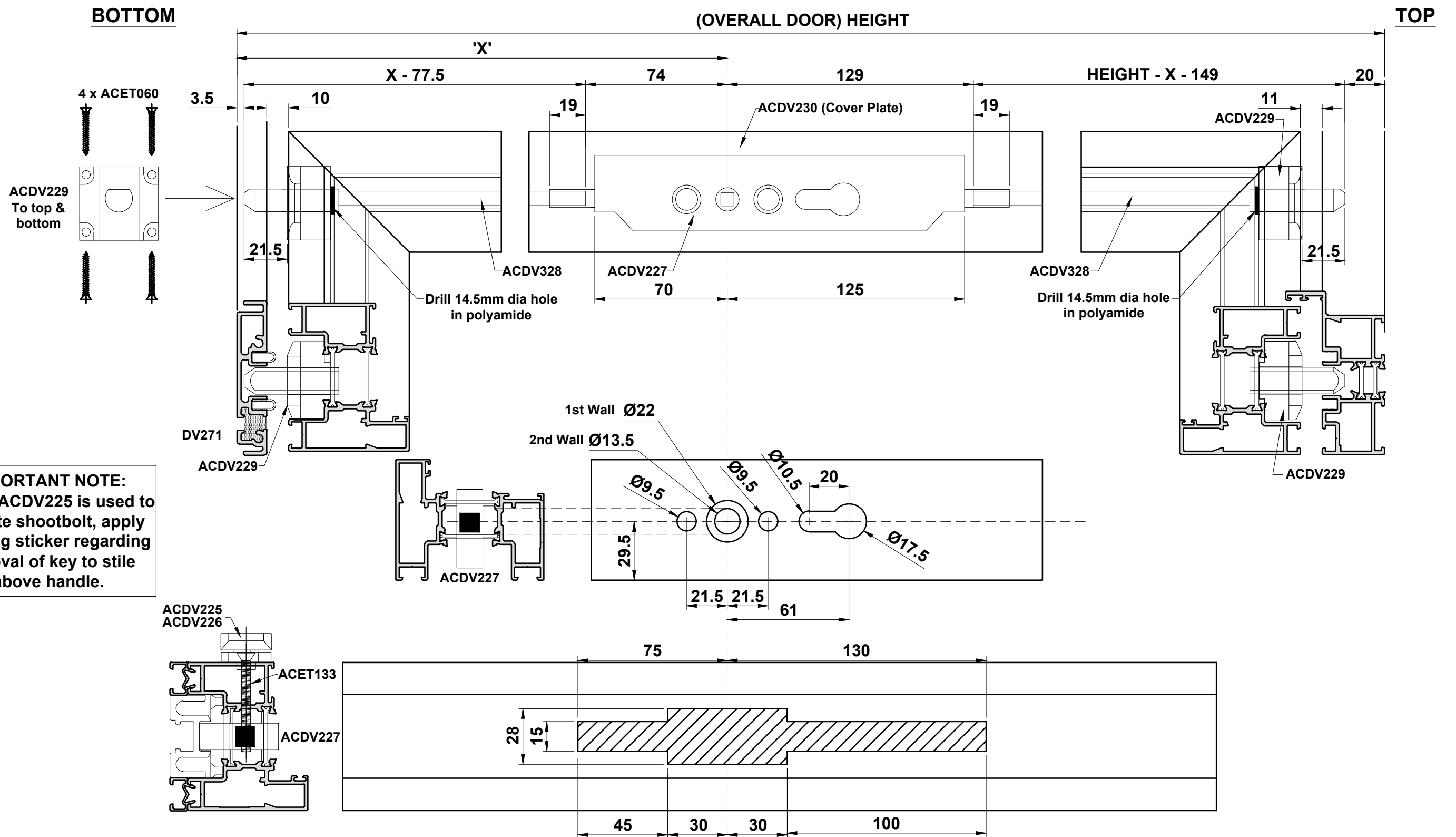
BOTTOM

TOP



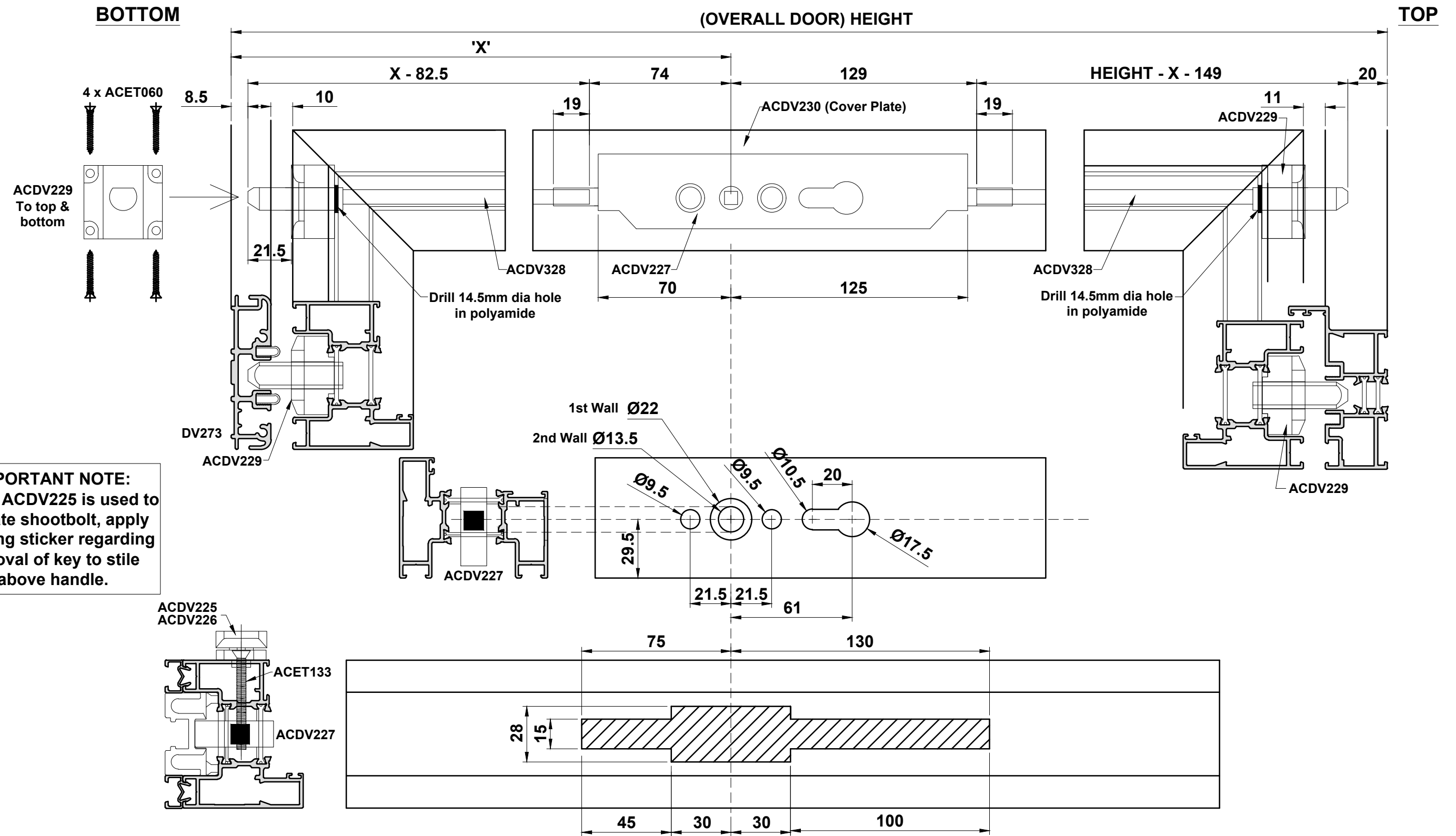
IMPORTANT NOTE:
Where ACDV225 is used to operate shootbolt, apply warning sticker regarding removal of key to stile above handle.

ACDV227 Preparation with ACDV225/ACDV226 Handle using DV271 Threshold



IMPORTANT NOTE:
Where ACDV225 is used to operate shootbolt, apply warning sticker regarding removal of key to stile above handle.

ACDV227 Preparation with ACDV225/ACDV226 Handle using DV273 Threshold



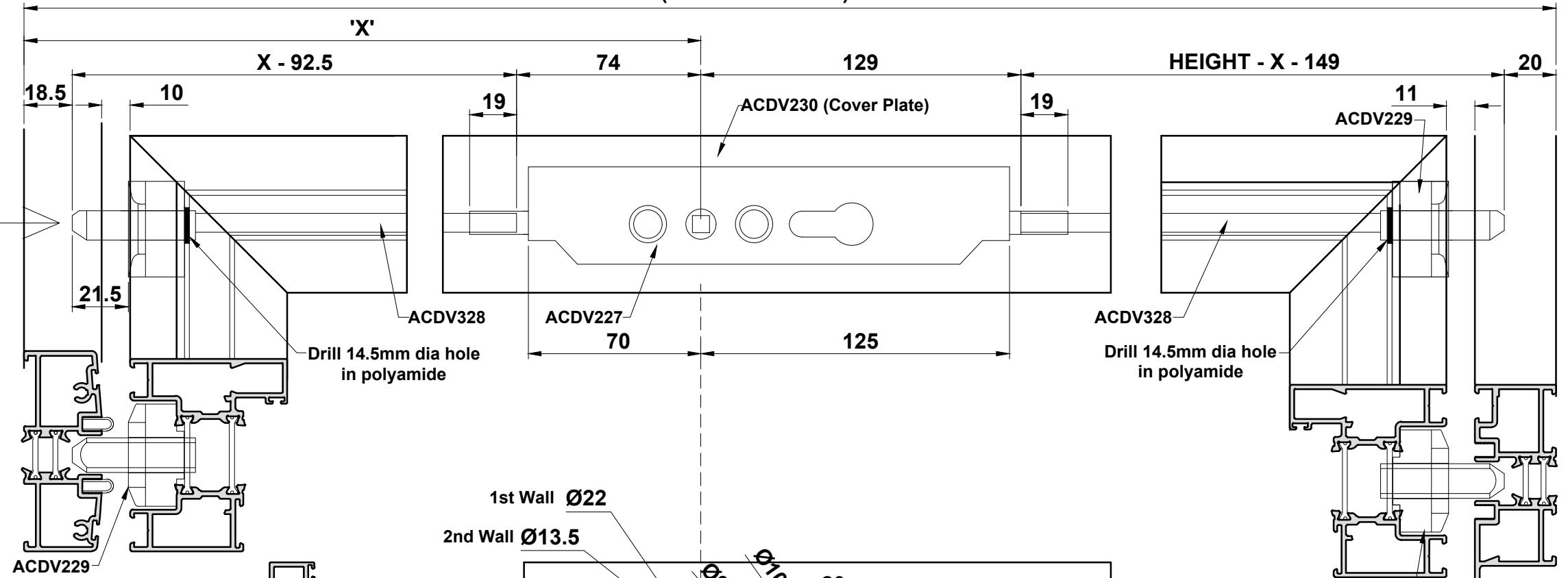
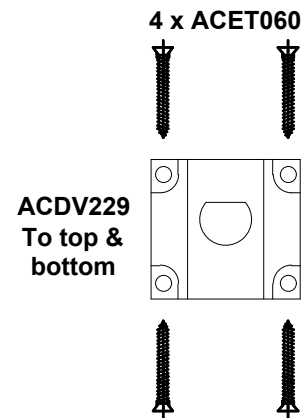
IMPORTANT NOTE:
Where ACDV225 is used to operate shootbolt, apply warning sticker regarding removal of key to stile above handle.

ACDV227 Preparation with ACDV225/ACDV226 Handle using DV175 Threshold

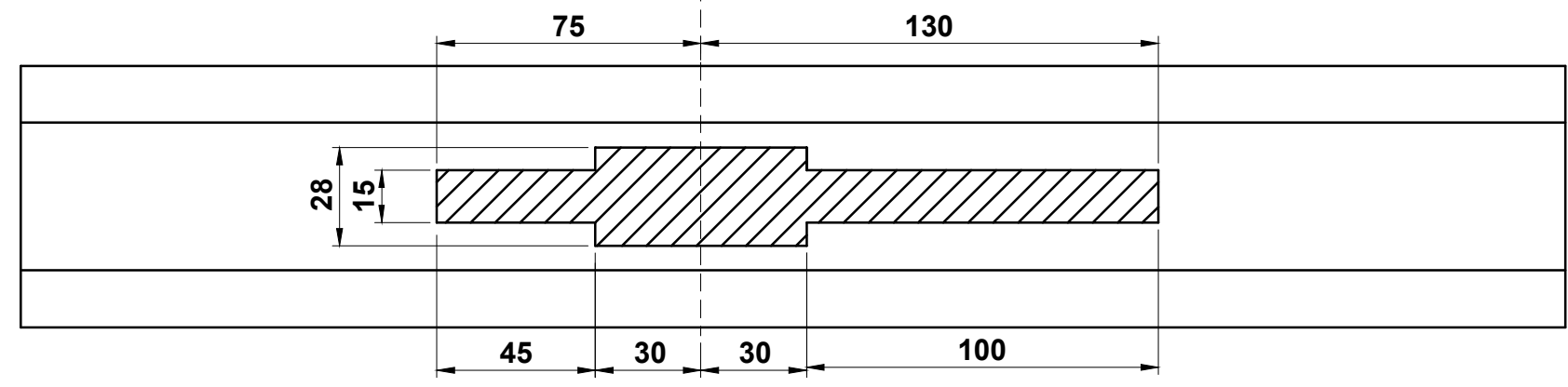
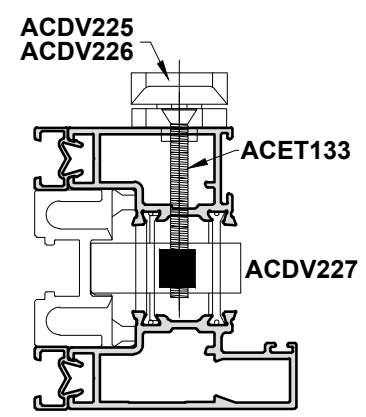
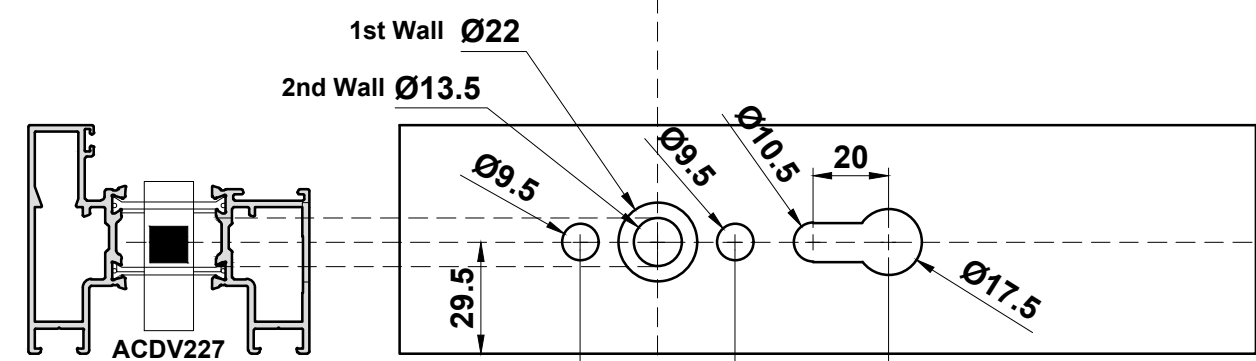
BOTTOM

(OVERALL DOOR) HEIGHT

TOP

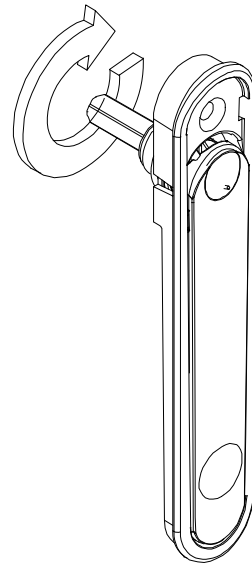
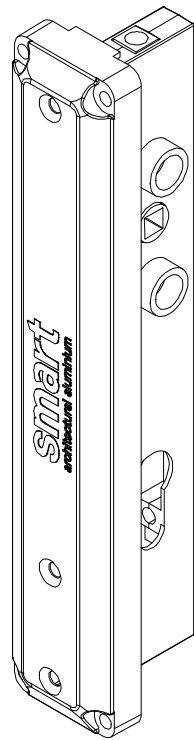


IMPORTANT NOTE:
Where ACDV225 is used to operate shootbolt, apply warning sticker regarding removal of key to stile above handle.



Flush Handle Installation

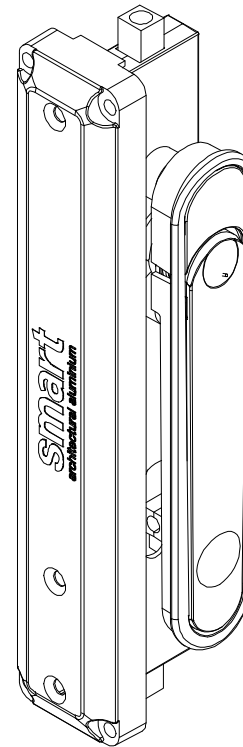
Flush Handle Fitting Instruction ACDV524 & ACDV525



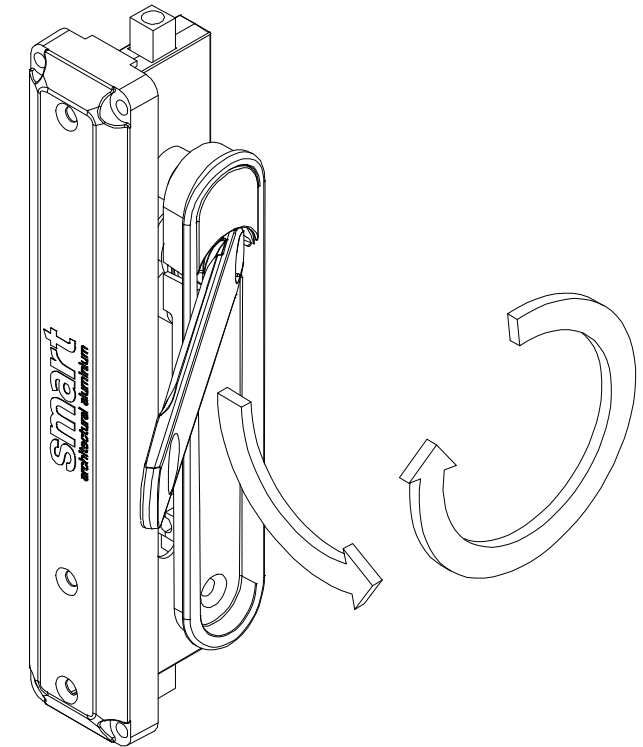
Prior to fitting the handle to the door it is important to orientate the square spindle of the handle for it to work correctly. First make sure the shootbolts are in the retracted position.

If the gearbox cover is on the left as you view the door from the inside with the handle facing you, fully rotate the square spindle clockwise.

If the gearbox cover is on the right as you view the door with the handle facing you fully rotate the square spindle anti-clockwise.



Fit the handle along with the appropriate fixings and screw cover.



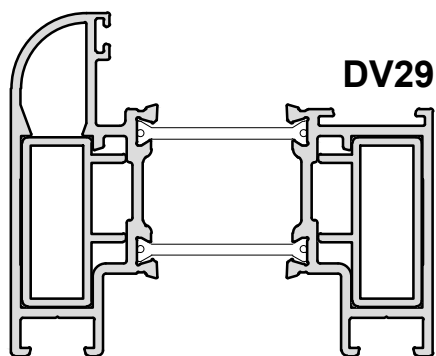
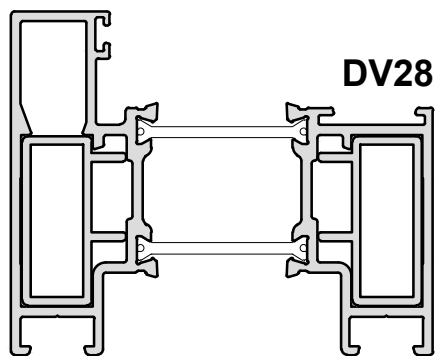
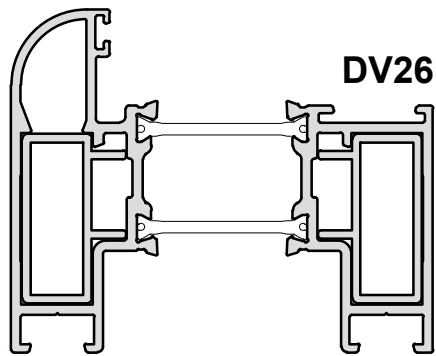
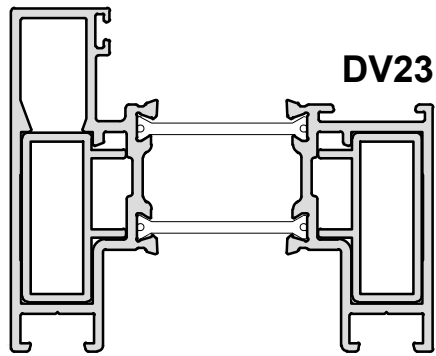
To operate the handle for the first time;

If the gearbox cover is on the left as you view the door.
Push the nose of the handle inwards to reveal the handle, lift the handle and rotate 360° clockwise and place the handle back into its baseplate. This will throw the shootbolts into the locked position.
To retract reverse the operation.

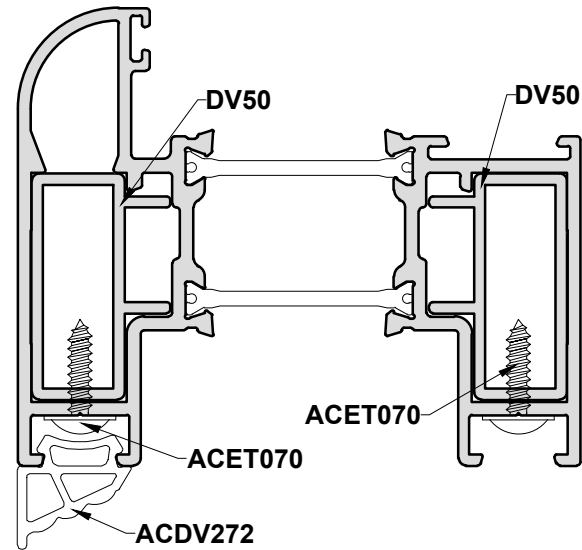
If the gearbox cover is on the right as you view the door.
Push the nose of the handle inwards to reveal the handle, lift the handle and rotate 360° anti-clockwise and place the handle back into its baseplate. This will throw the shootbolts into the locked position.
To retract reverse the operation.

DV50 Sash Reinforcement

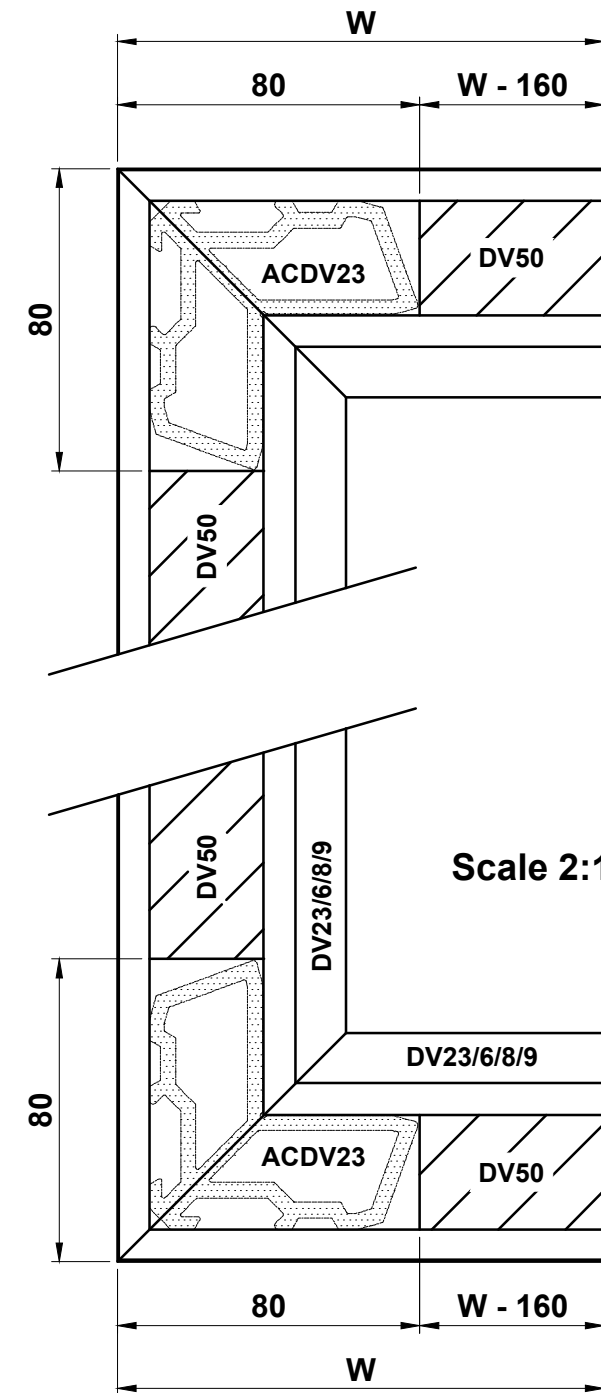
DV50 Applications



ACET070 Fixed 100mm from each end & at 500mm centres

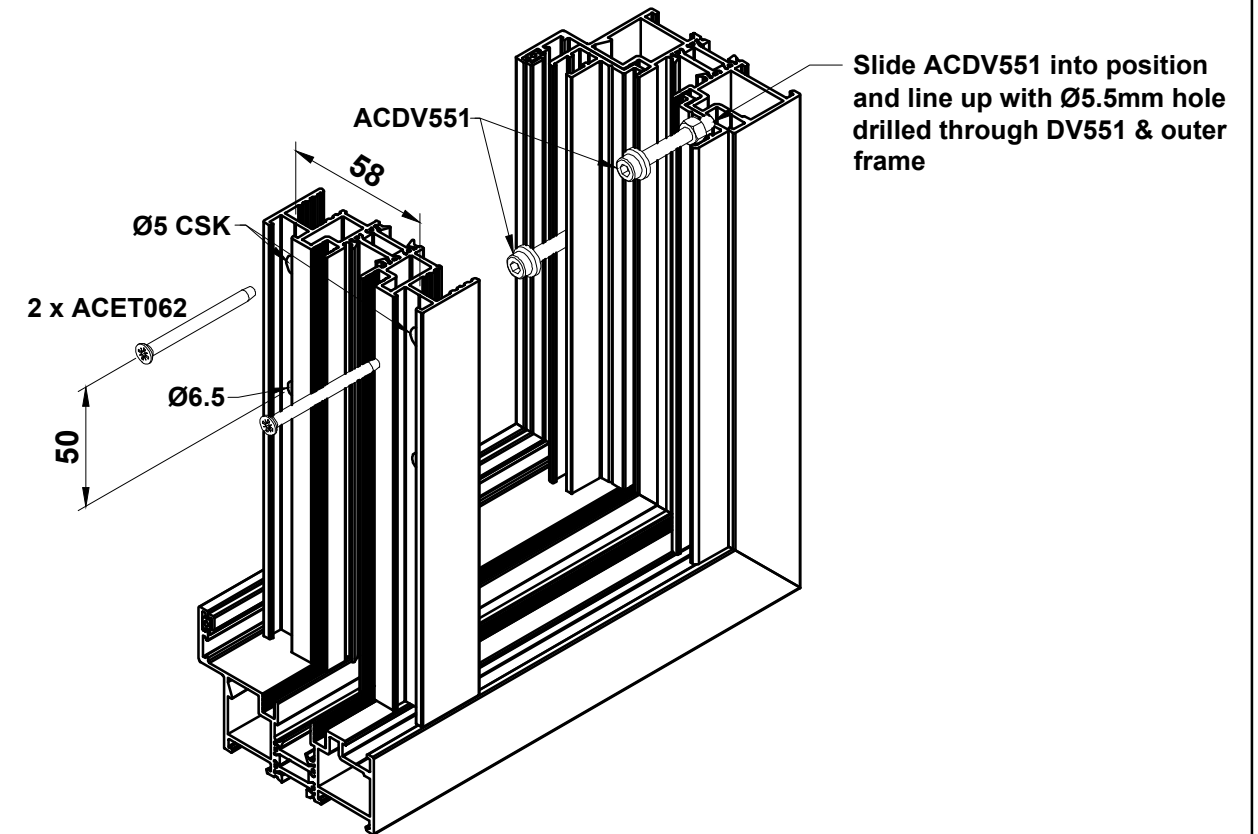
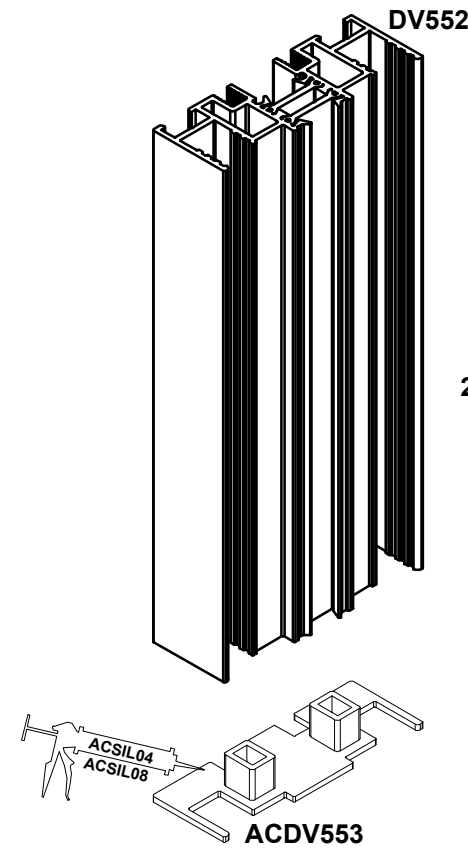
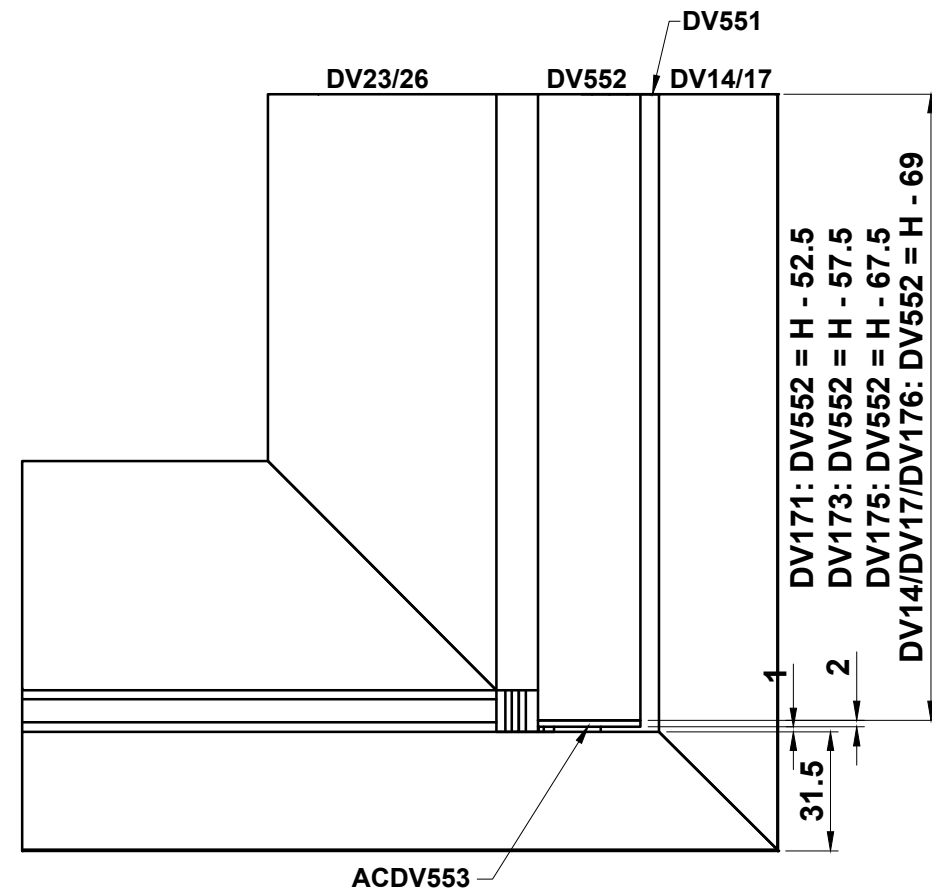


For Sash Ix and Iy values which include DV50, please refer to Section D.



DV50 Length = (Height or Width) - 160mm

Adjustable Jamb

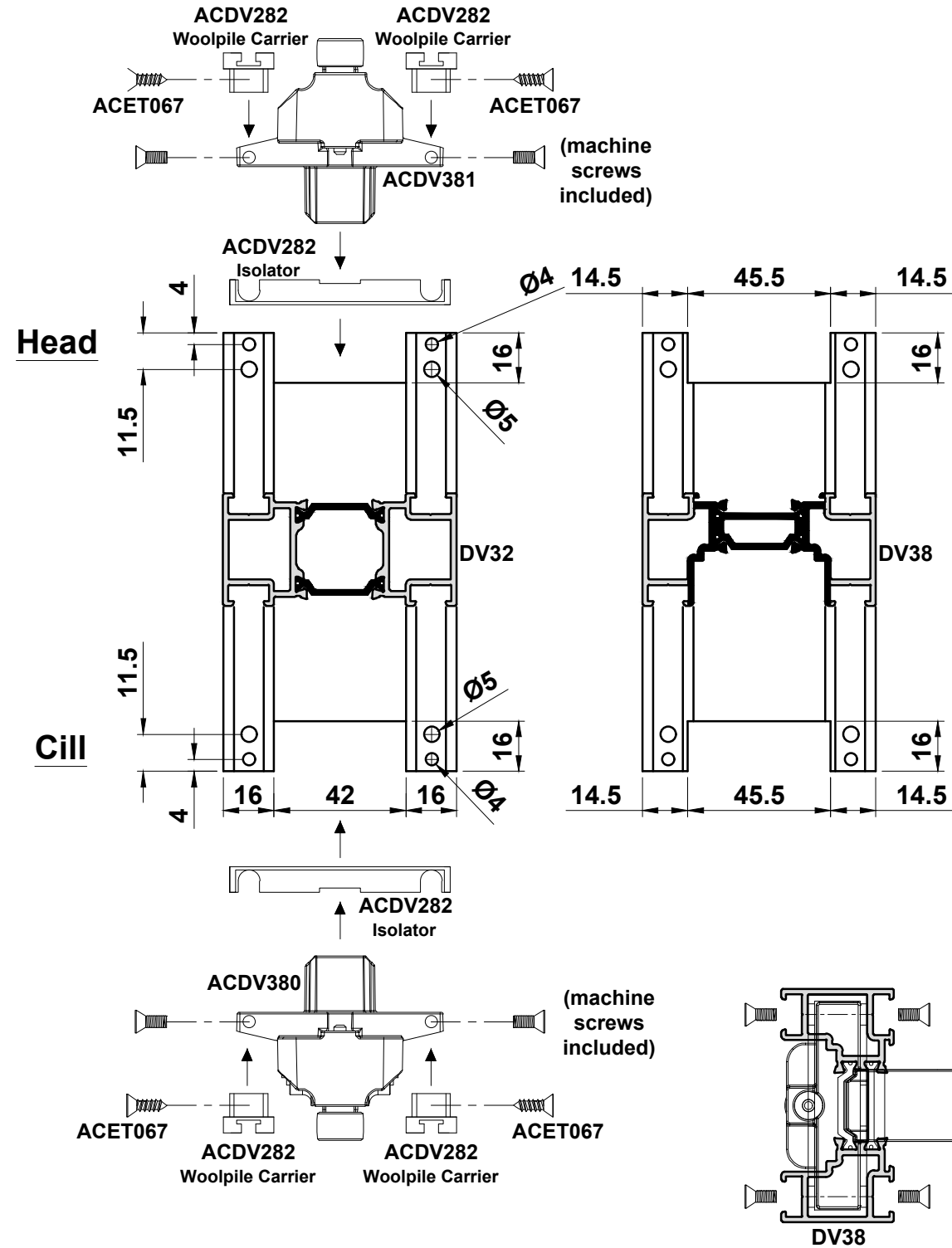


Assembly Steps:

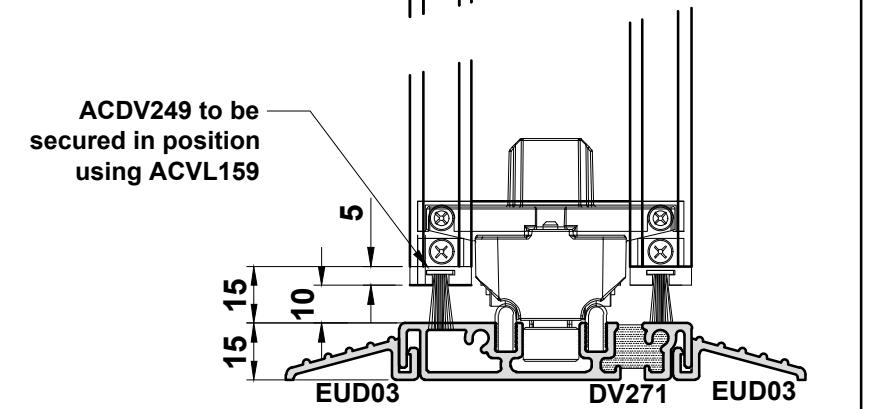
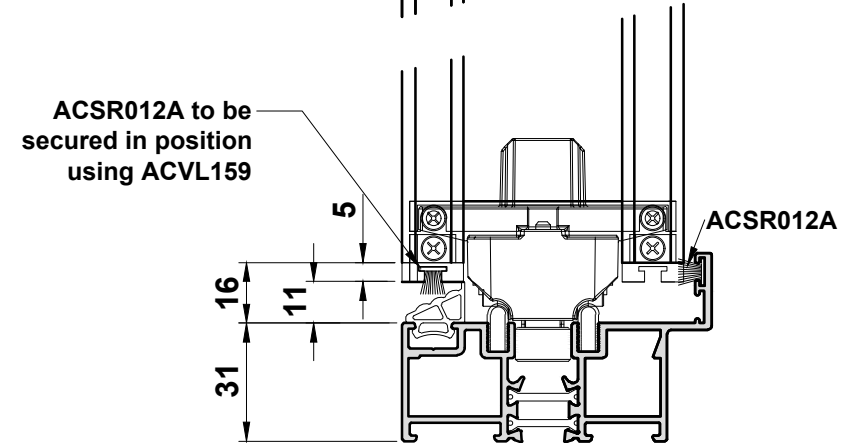
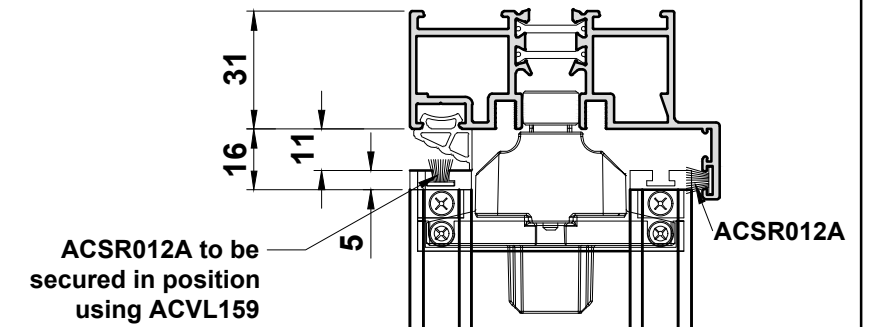
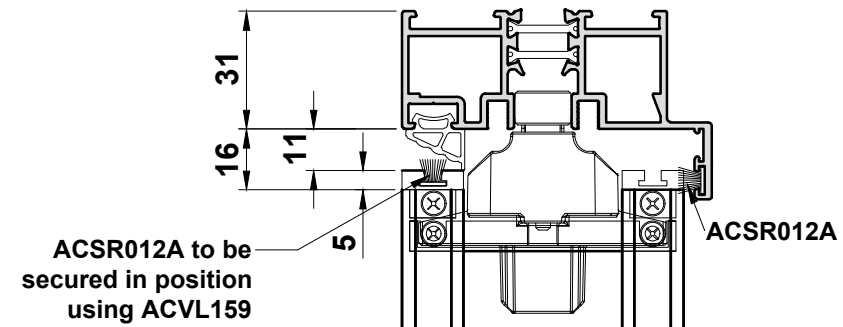
- 1, Fix both DV551's to jamb using ACET099 screws at a max. of 100mm from each end and 500mm centres
- 2, Mark & drill DV551 & DV552 for the ACDV551 fixings allowing: 1 x 50mm above the bottom hinge, 1 x 50mm below the top hinge and at a maximum of 500mm centres, taking care to avoid drilling in the same position as the intermediate hinges
- 3, Mark, drill and countersink DV551 & DV552 50mm above or below the ACDV551 fixings for the ACET062 securing screw
- 4, Insert the ACDV551 fixings into DV551 and wind up tight enough to hold the screw heads in a steady position
- 5, Fix hinges in position on DV552 and position on the jamb ensuring the head of the ACDV551 fixings are accessible.

DV32/DV38 Preparation

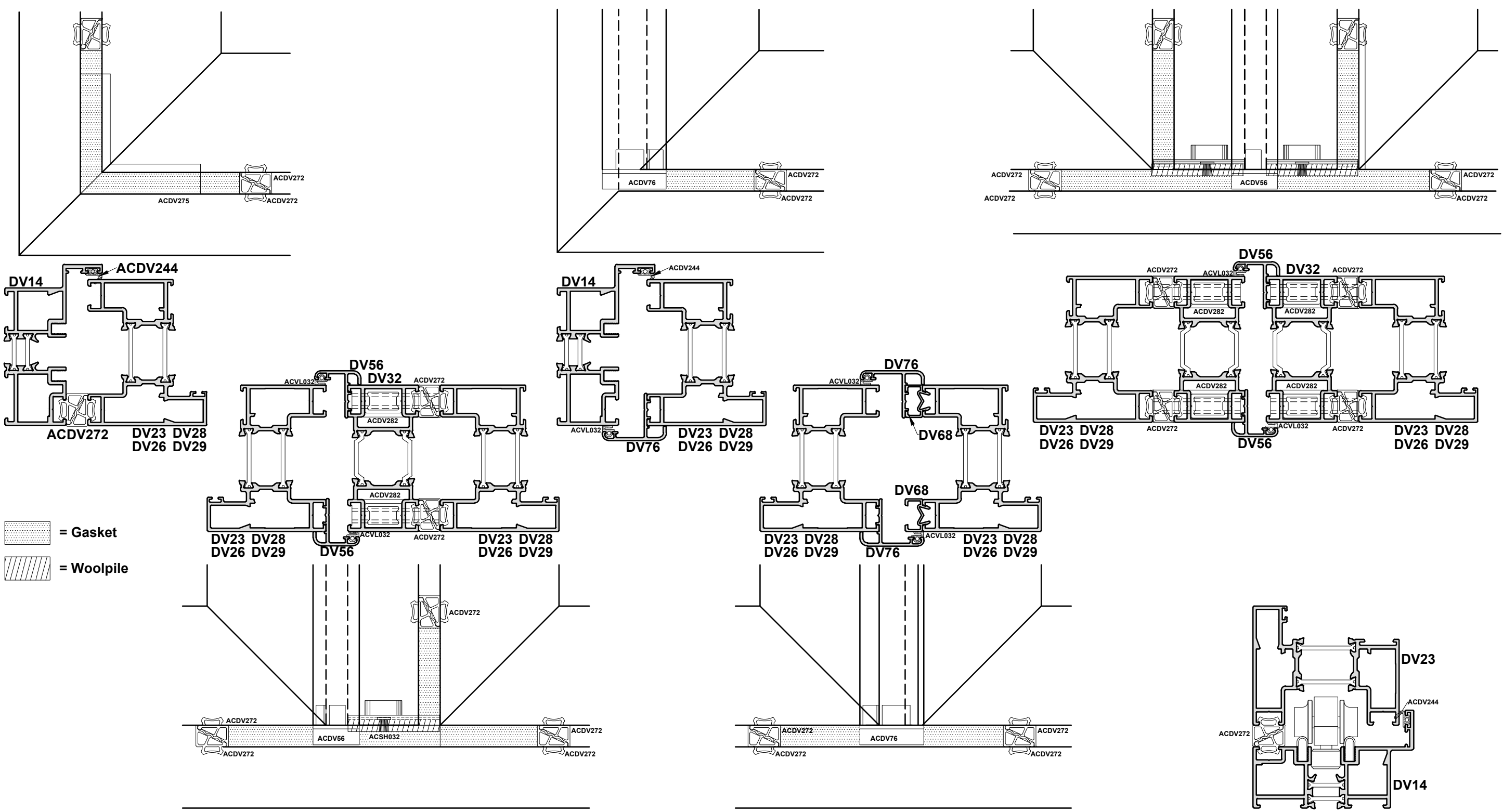
Mullion Preparation for Standard & Low Threshold



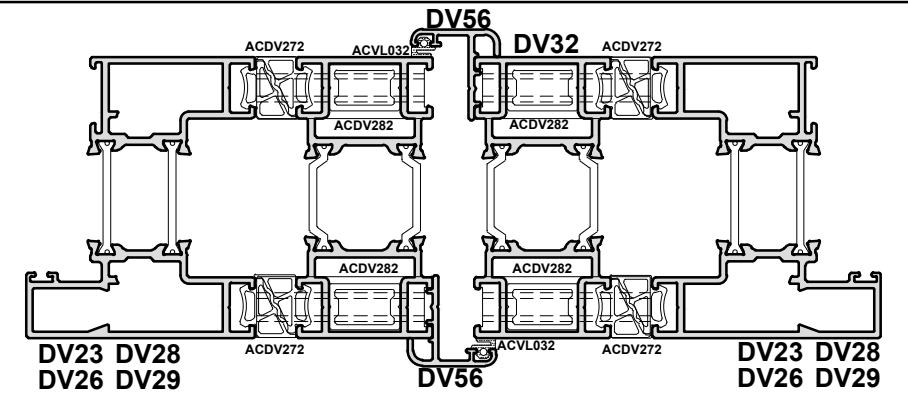
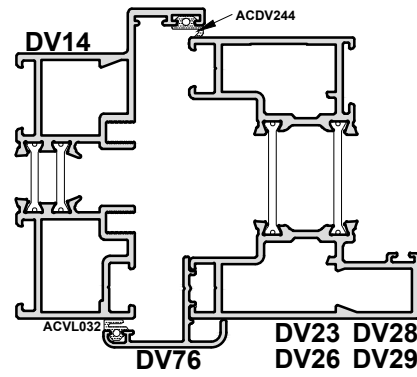
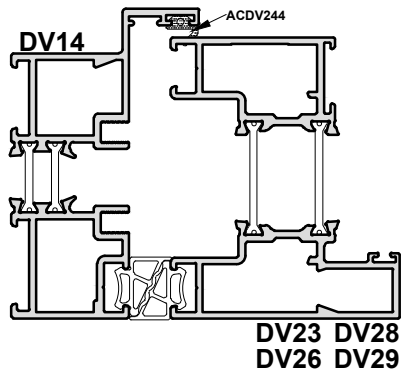
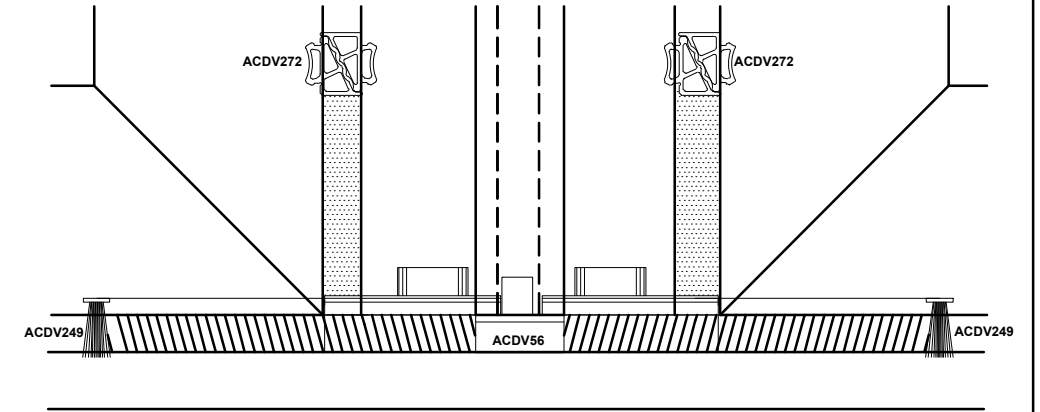
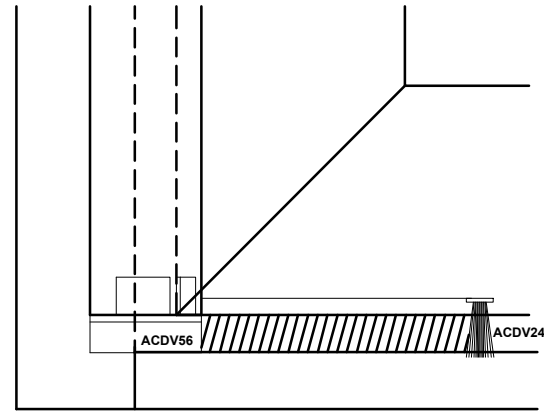
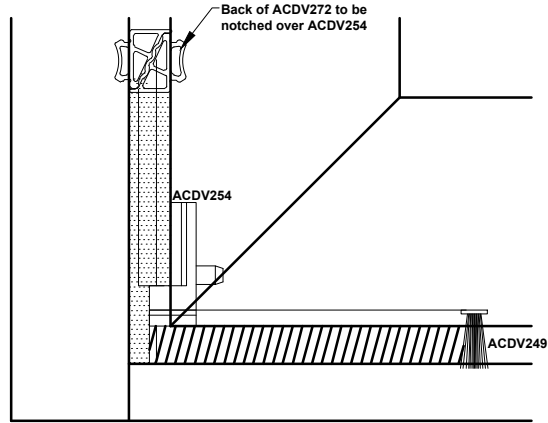
NOTE:
Where DV32 is used, ACSR012A should replace ACDV244


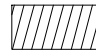


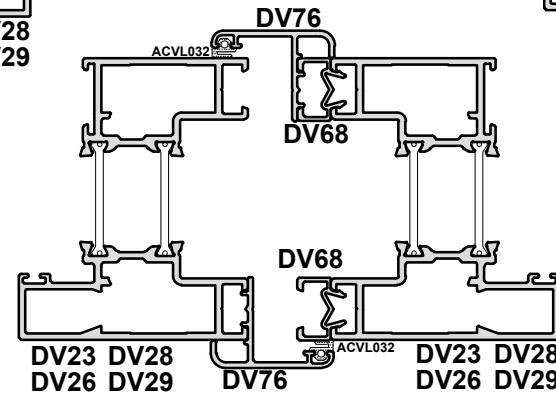
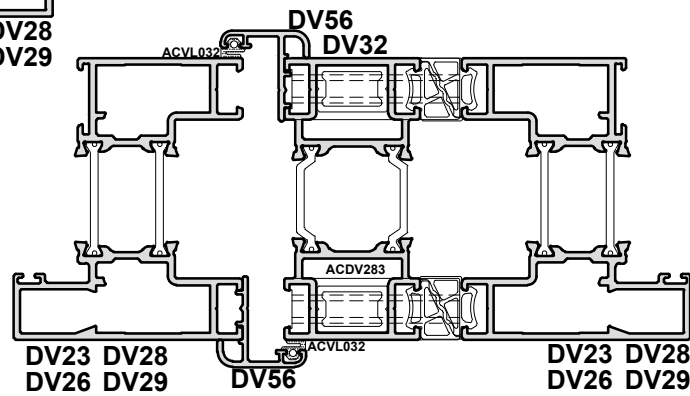
Typical Sealing Details Against DV14



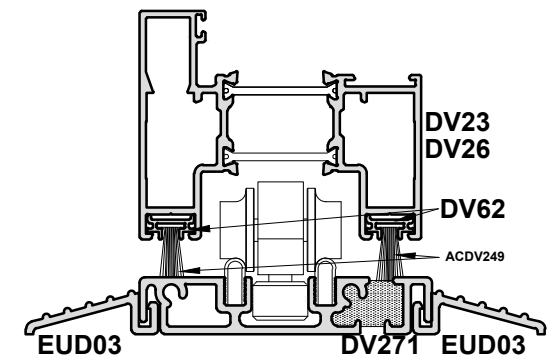
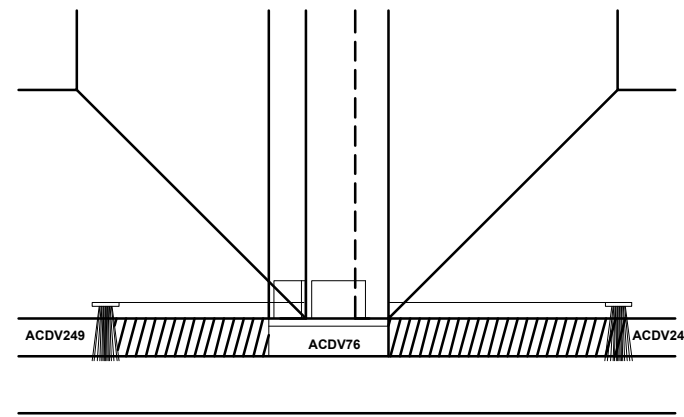
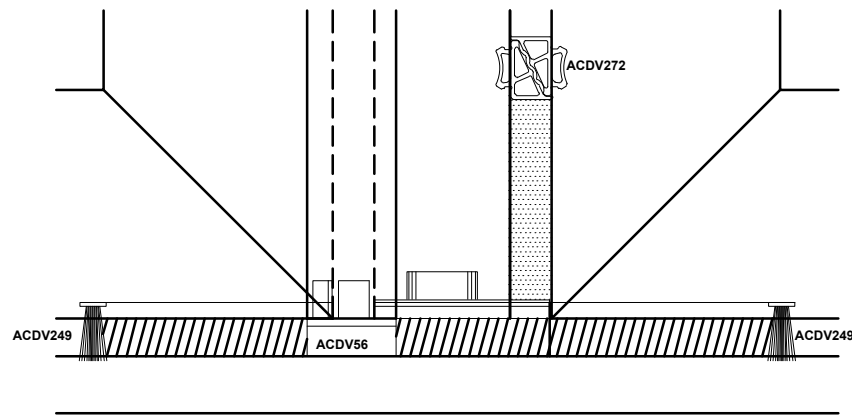
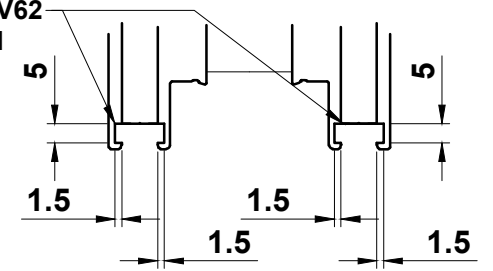
Typical Sealing Details Against DV271/173/175



 = Gasket
 = Woolpile



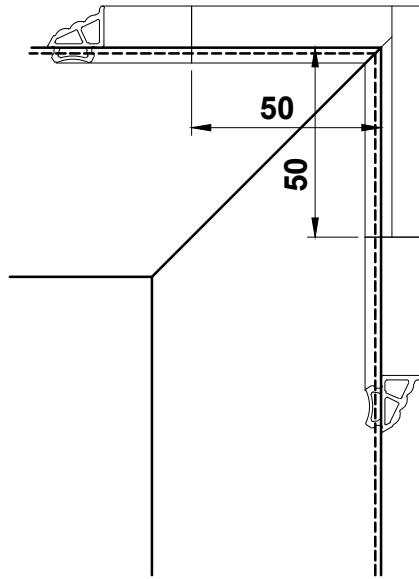
Stile cut-out to allow DV62 to slide into bottom rail



Gasket Details

Vent Gasket Detail Where Closing Against DV14

Cut ACDV272 between ACDV275 corner moulds



ACDV275
Corner A Shown

ACDV275 needs to be cut to fit above or below the hinges

Cut ACDV272 between ACDV275 corner moulds

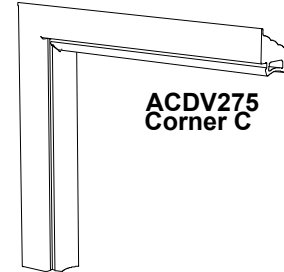
ACDV275 Pack Contains:
10 x Corner A
10 x Corner B
20 x Corner C

Packs of each corner type may also be ordered as:
ACDV275A, ACDV275B or ACDV275C

ACDV272



ACDV275
Corner A

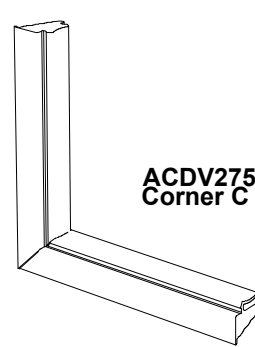


ACDV275
Corner C

ACDV272

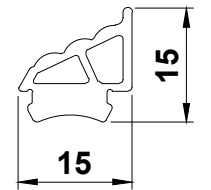
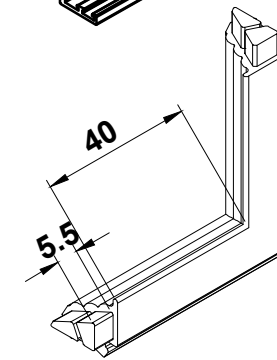
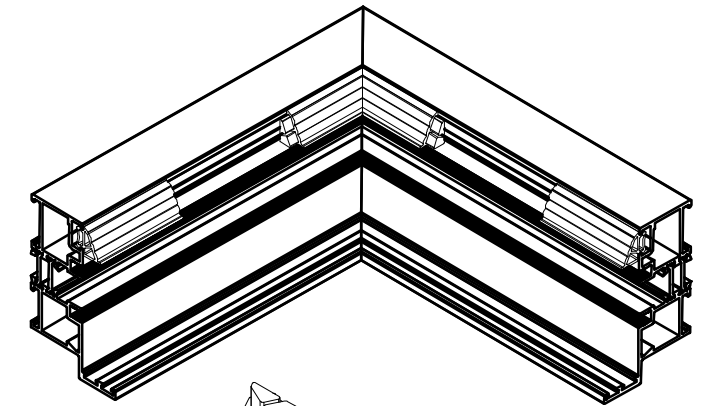


ACDV275
Corner B

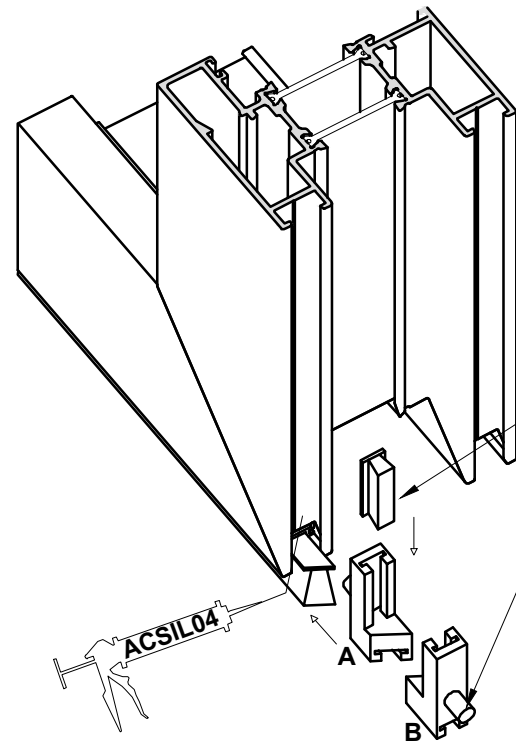


ACDV275
Corner C

ACDV375 Corner Gasket

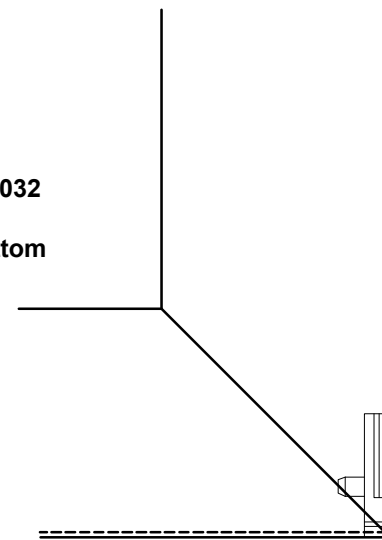


Vent Gasket Detail Where Using ACDV254



Woolpile ACSH032 is used to seal gap against bottom hinge

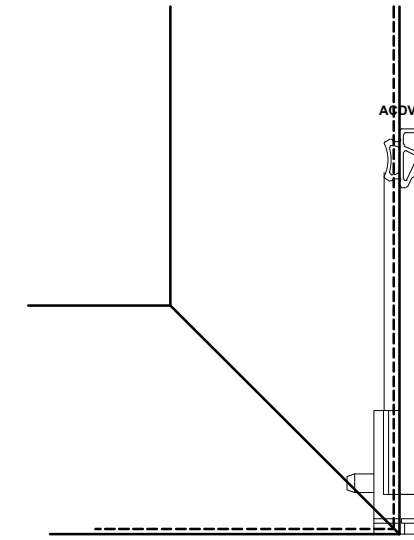
Cylindrical part slots into punched grub screw access for cleat



ACDV272

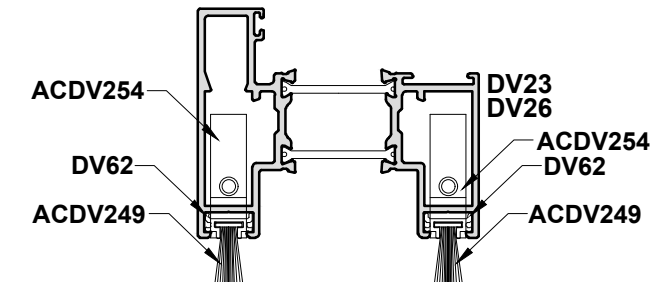
22

Remove backing locally

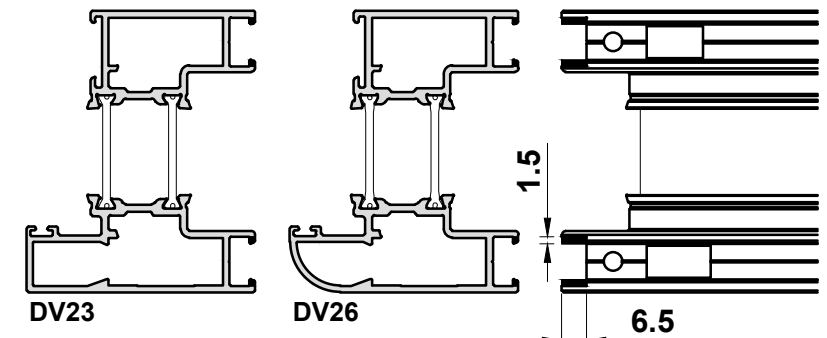


ACDV272

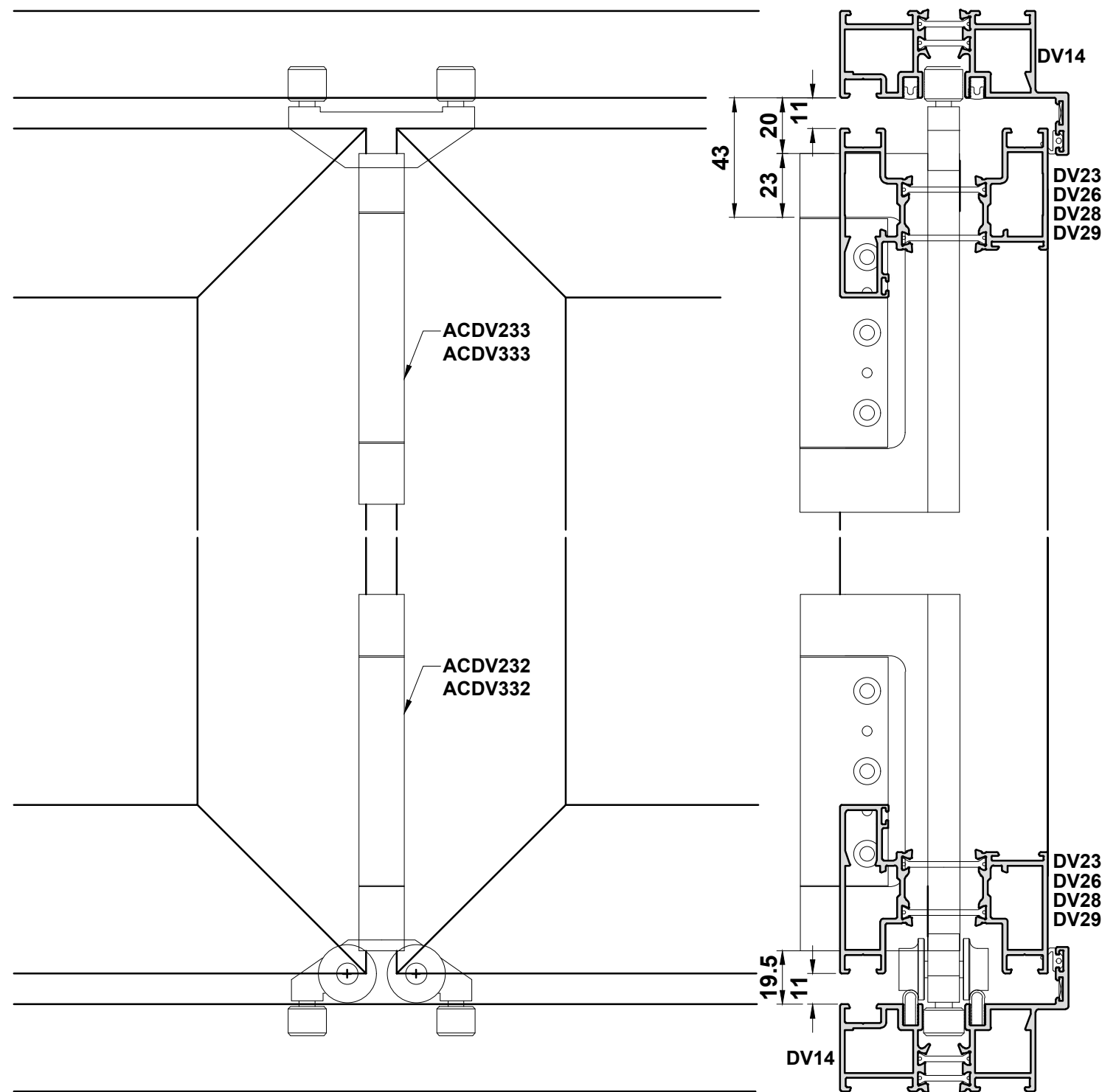
ACDV254



Preparation for DV62



Hinge Location Details

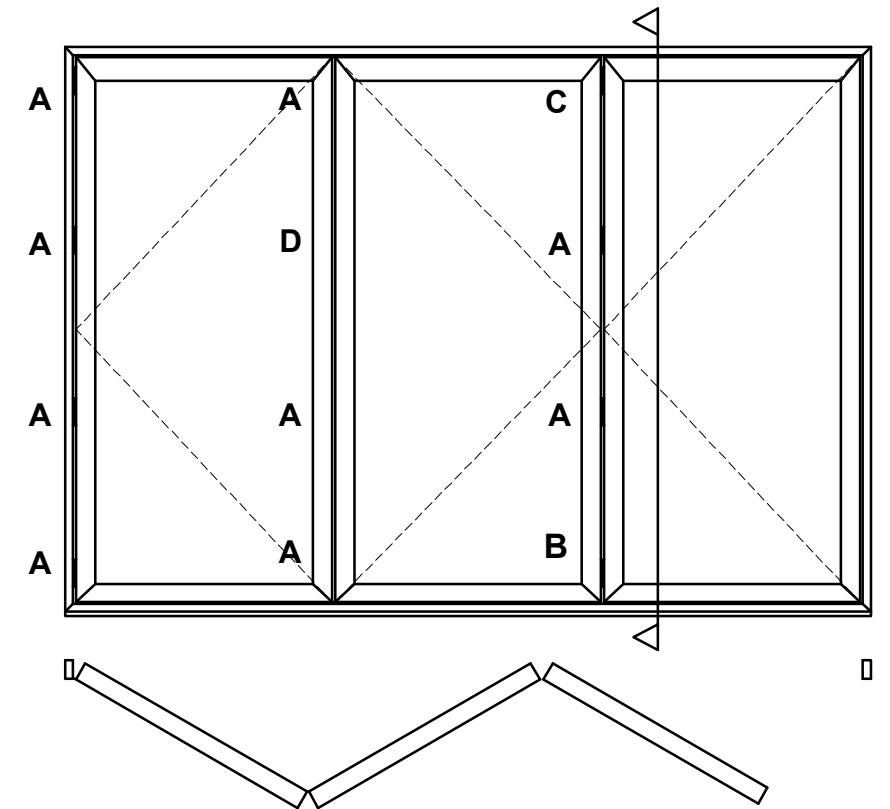
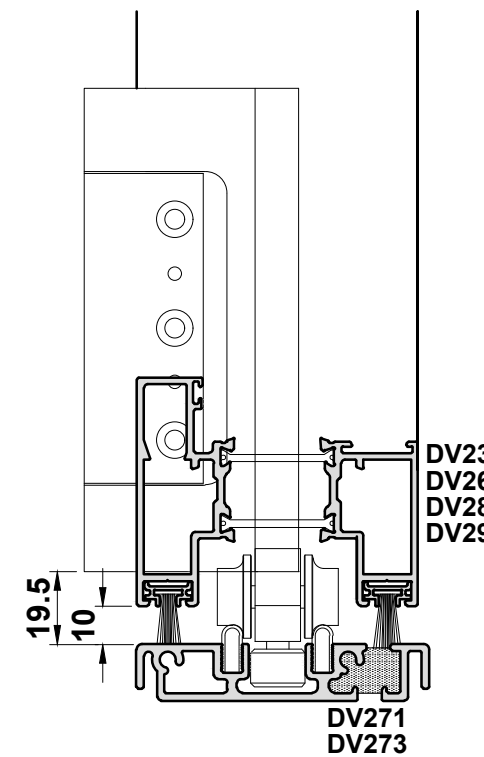


Typical Hinge Layout:

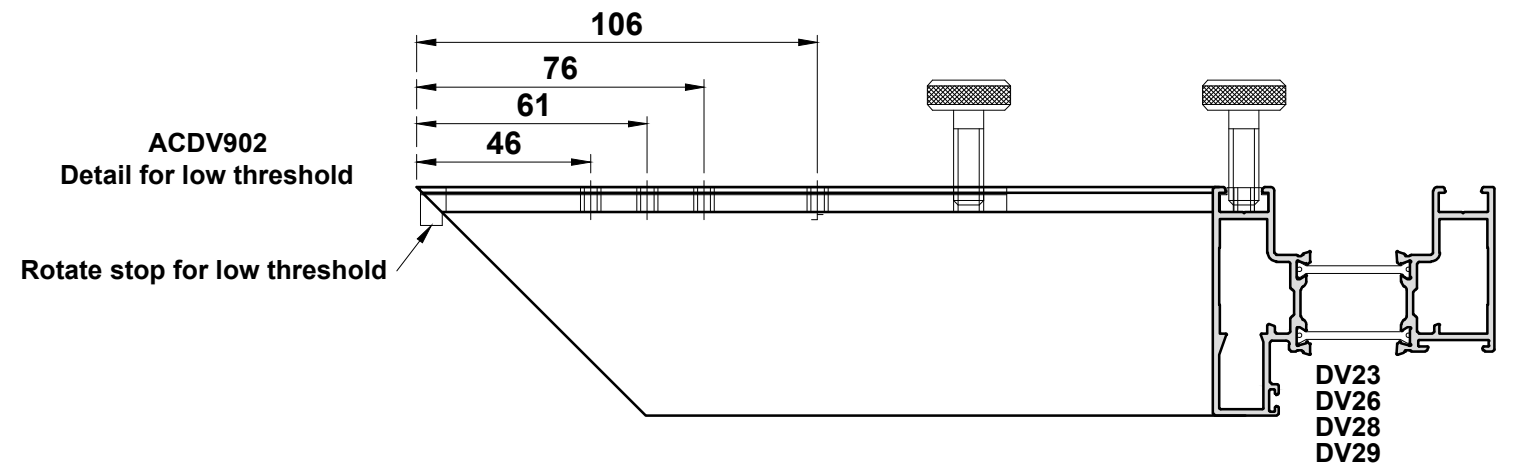
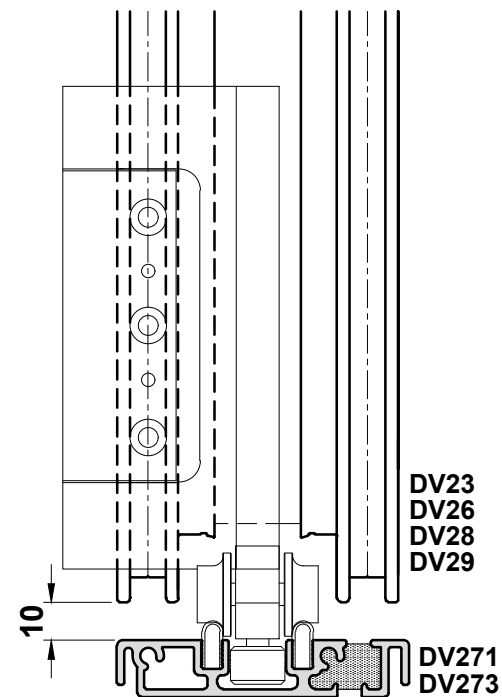
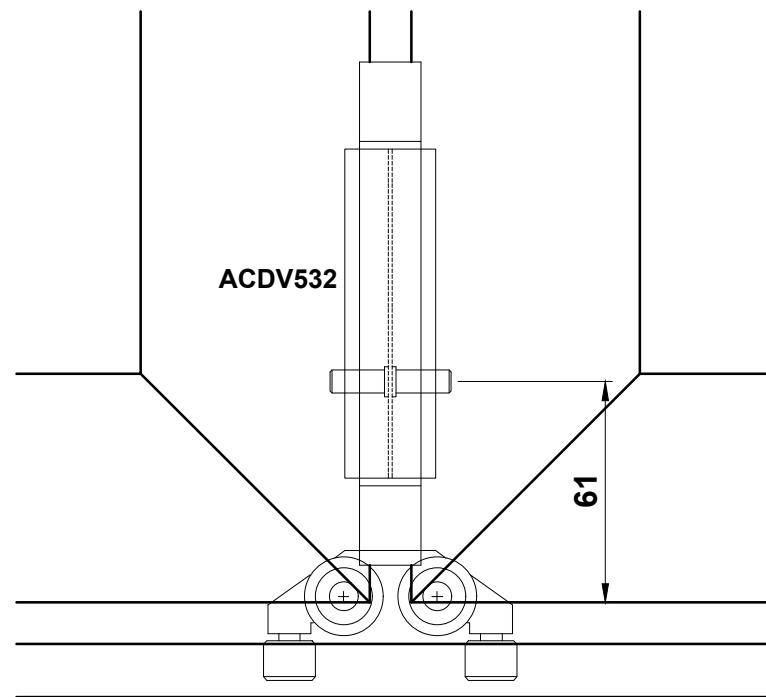
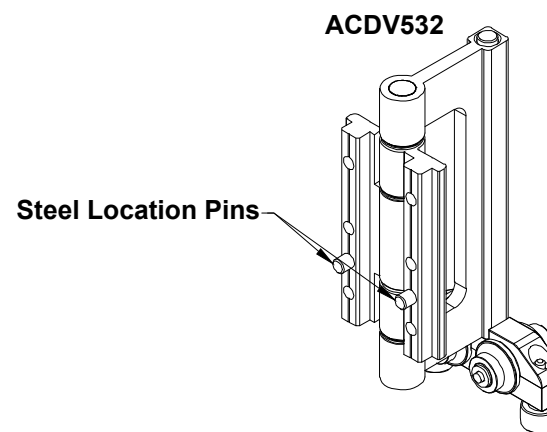
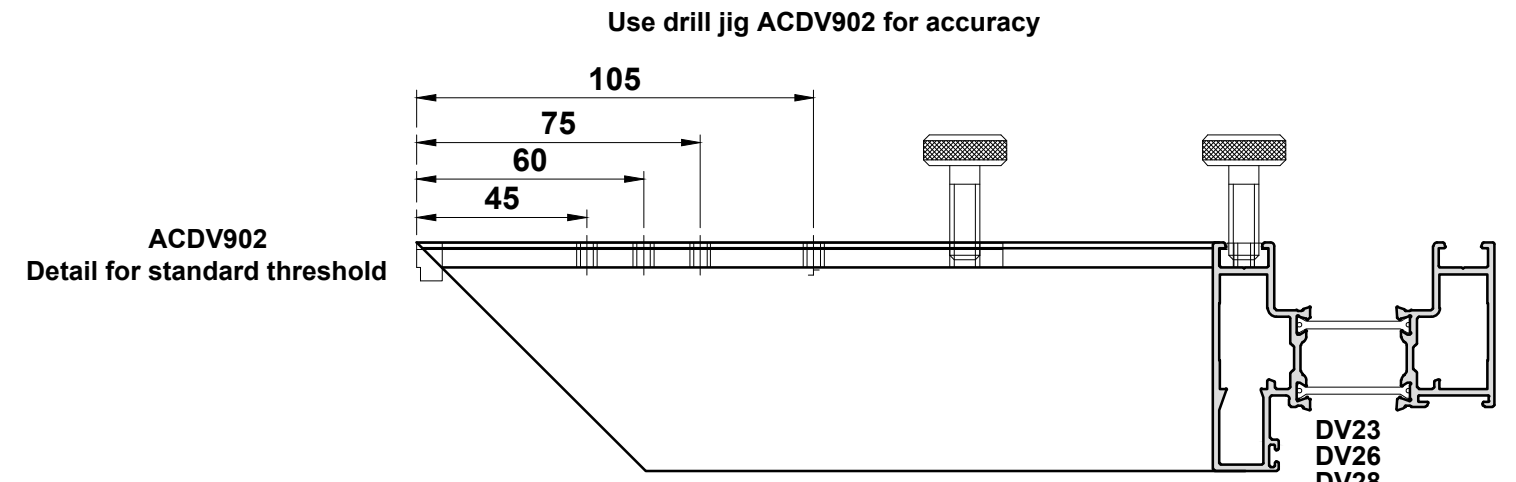
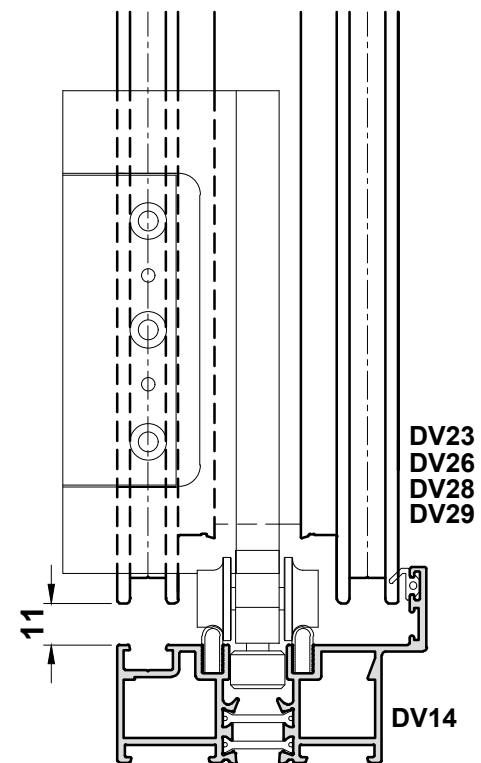
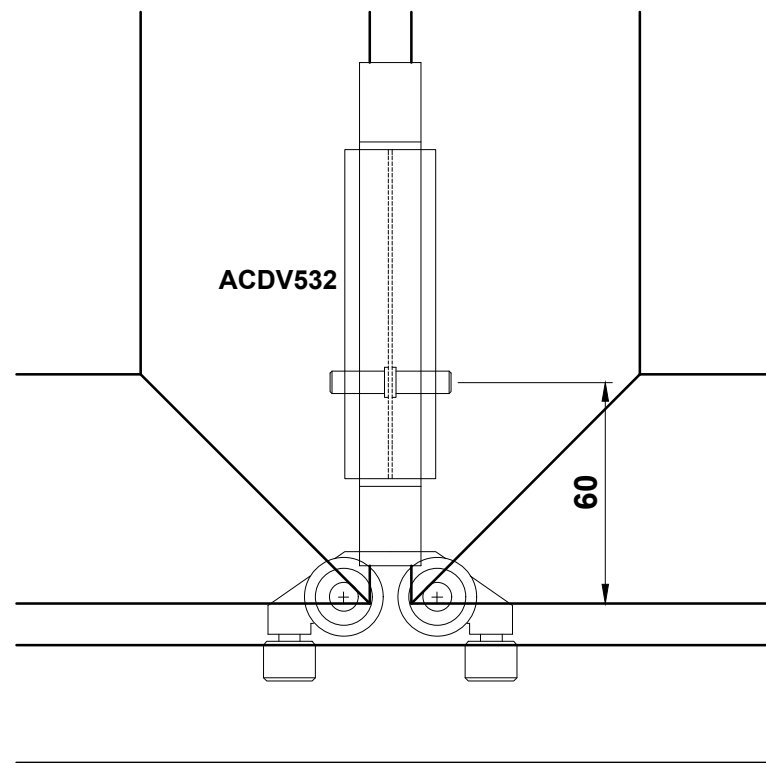
- A = ACDV331 Intermediate Hinge
- B = ACDV232 or ACDV332 Bottom Roller Carrier
- C = ACDV233 or ACDV333 Top Guide Carrier
- D = ACDV234 'D' Handle Hinge

Note:

Once hinges are set into position, replace centre machine screw with a self tapping screw for permanent fixing.

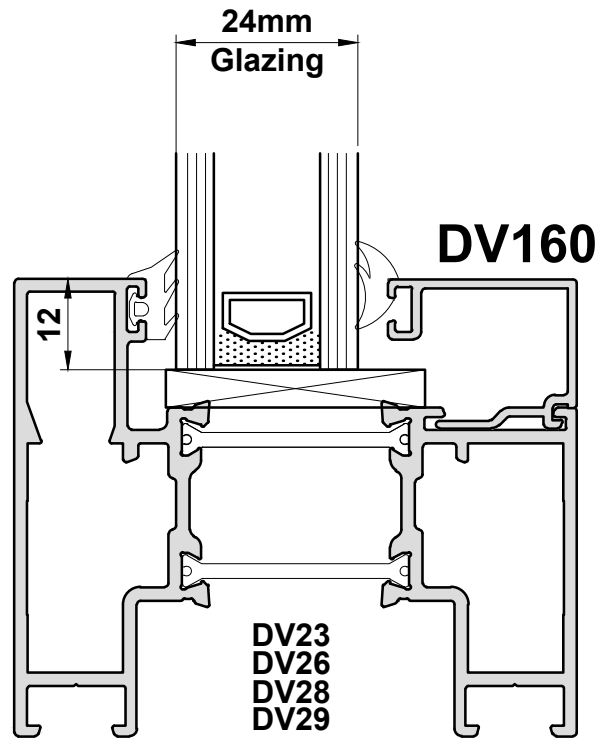


ACDV532 Hinge Location Details

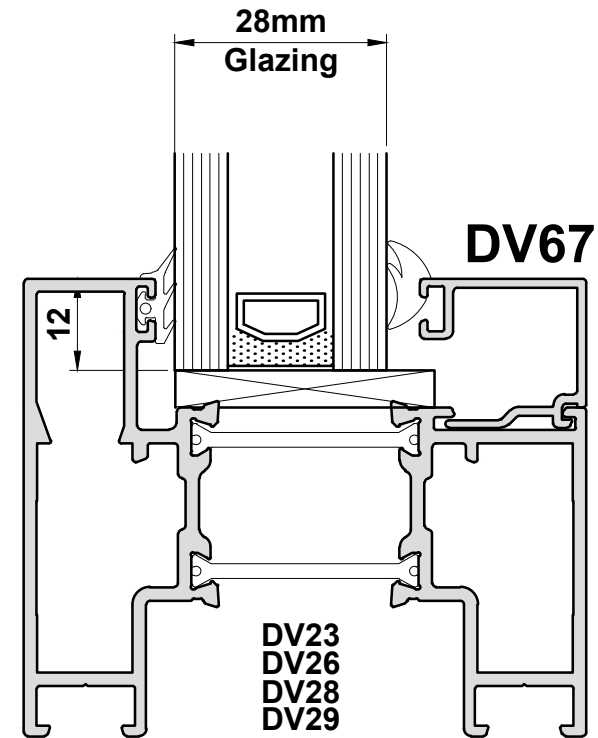


Glazing Details

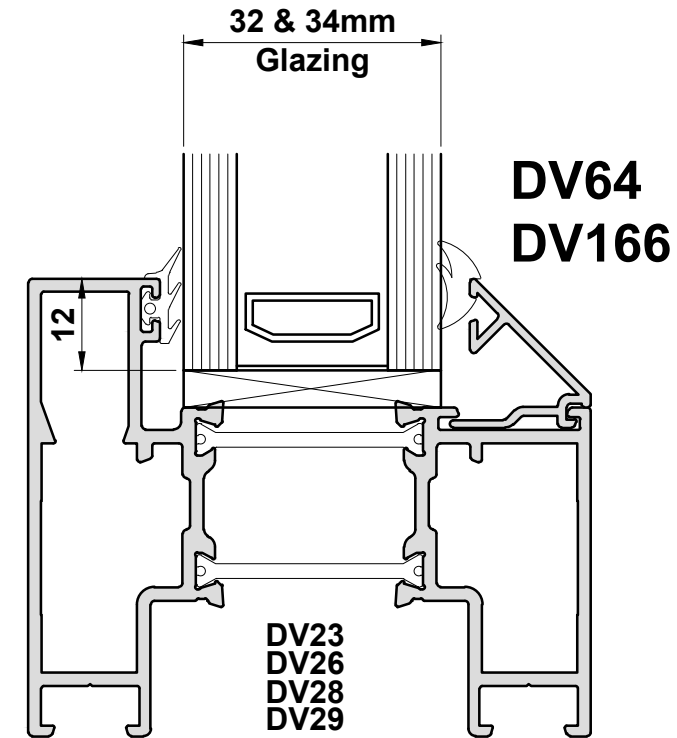
INTERNALLY BEADED



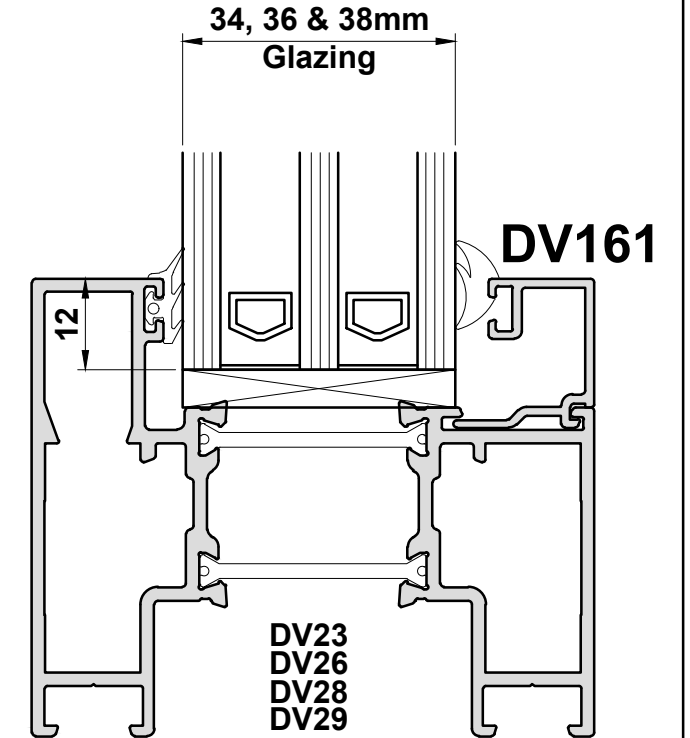
24mm Units	
BEADS	GASKET
DV64	Outside: ACVG131 4mm 'E' Gasket Inside: ACVG34 5mm Wedge Gasket



28mm Units	
BEADS	GASKET
DV67	Outside: ACVG31 3mm 'E' Gasket Inside: ACVG34 5mm Wedge Gasket



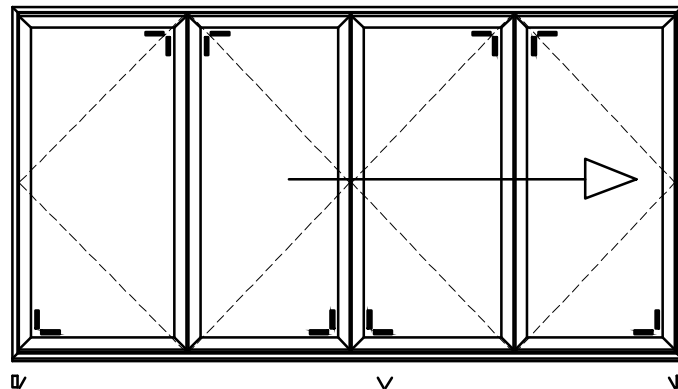
32mm Units	
BEADS	GASKET
DV64	Outside: ACVG131 4mm 'E' Gasket Inside: ACVG34 5mm Wedge Gasket
DV166	Outside: ACVG131 4mm 'E' Gasket Inside: ACVG34 5mm Wedge Gasket



34mm Units	
BEADS	GASKET
DV161	Outside: ACVG131 4mm 'E' Gasket Inside: ACVG340 6mm Wedge Gasket

TYPICAL TOE & HEEL LOCATIONS

Consider using ACDV295 glass adjustors - see Page E35



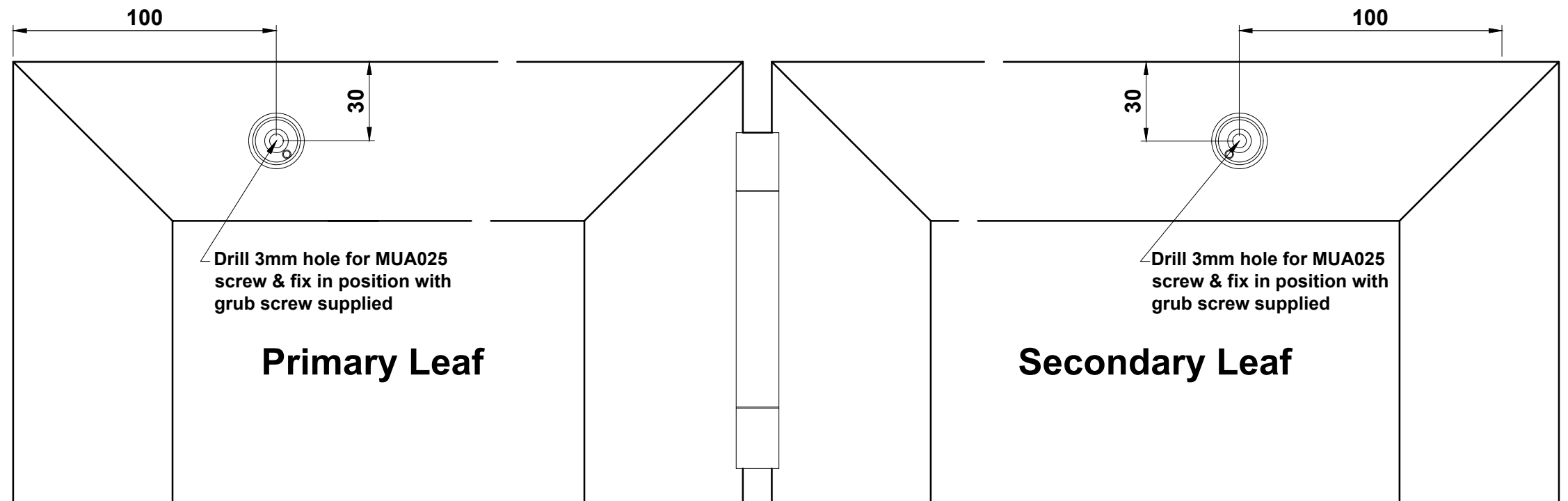
34mm Units	
BEADS	GASKET
DV64	Outside: ACVG31 3mm 'E' Gasket Inside: ACVG33 4mm Wedge Gasket
DV166	Outside: ACVG131 4mm 'E' Gasket Inside: ACVG34 5mm Wedge Gasket

36mm Units	
BEADS	GASKET
DV161	Outside: ACVG31 3mm 'E' Gasket Inside: ACVG34 5mm Wedge Gasket

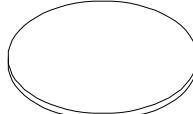
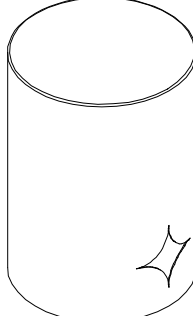
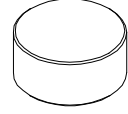
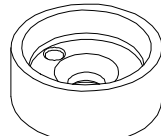
38mm Units	
BEADS	GASKET
DV161	Outside: ACVG231 2mm 'E' Gasket Inside: ACVG33 4mm Wedge Gasket

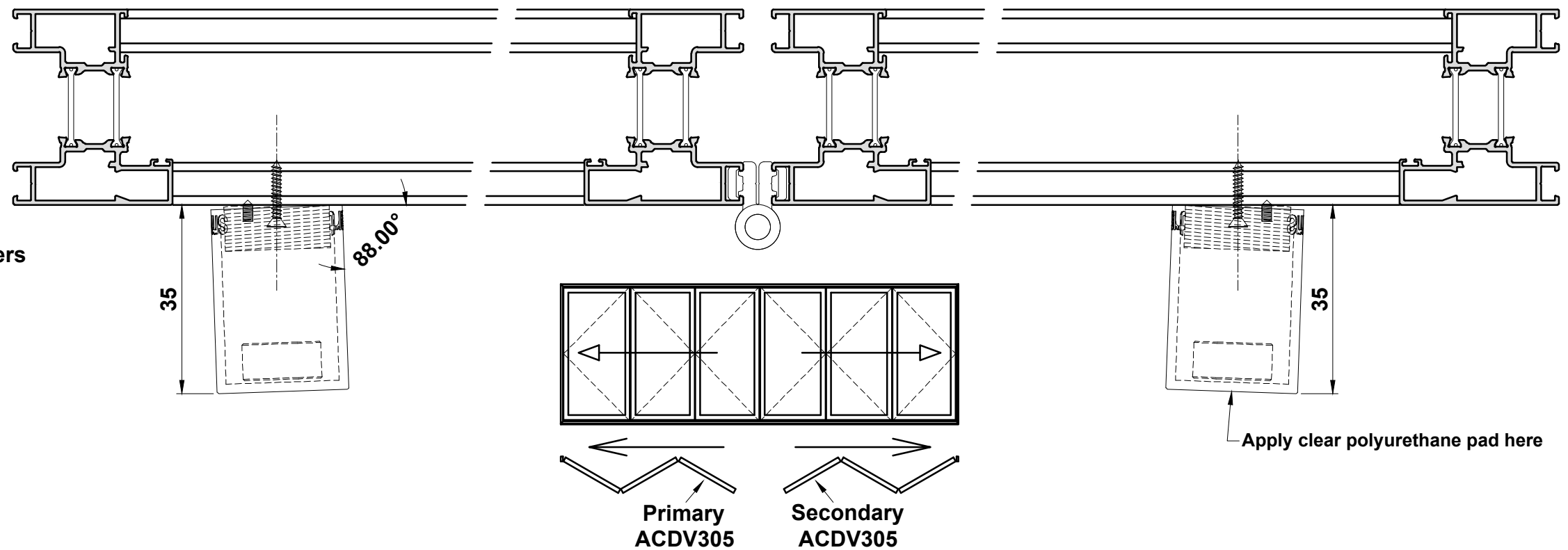
Please Note: Depending on the tolerance of the unit, 38mm glazing may require wedge gaskets internally & externally to allow the bead to locate.

ACDV305 Fitting Details

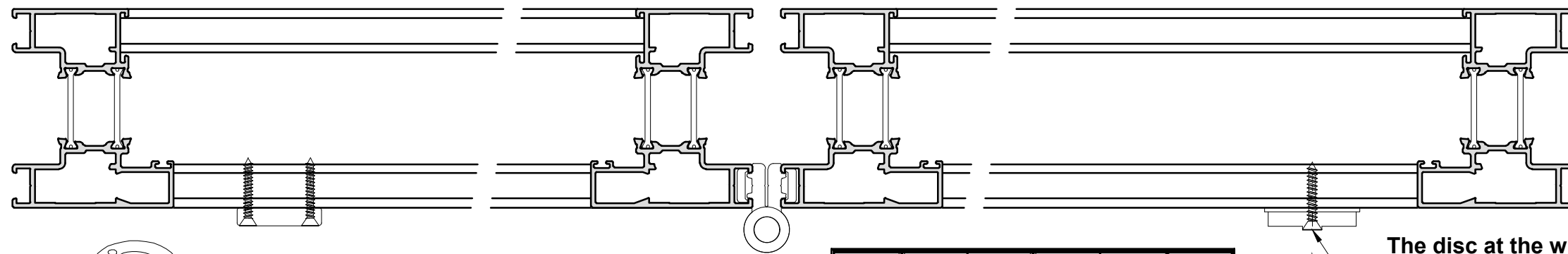
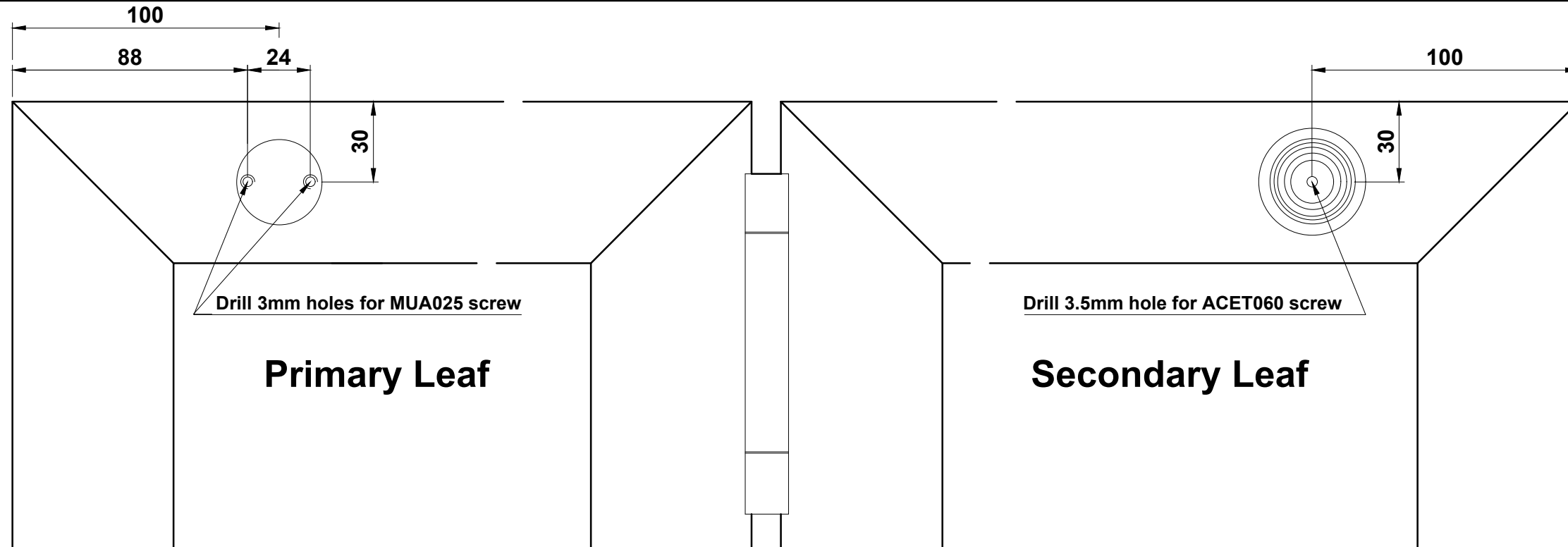


ACDV305 Kit Contains

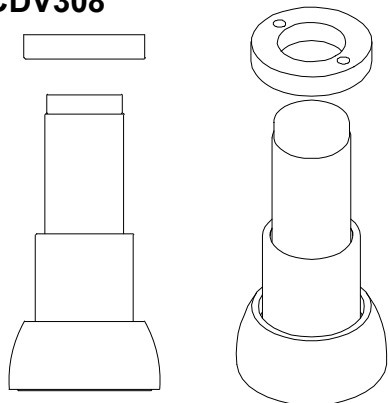
-  1 x Clear Polyurethane Pad
-  2 x 35mm Magnetic Holders
-  2 x Magnets
-  2 x Threaded Base



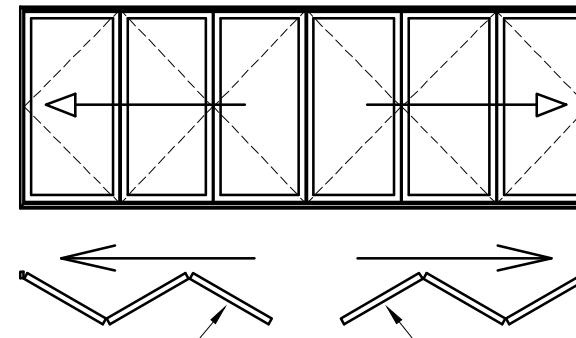
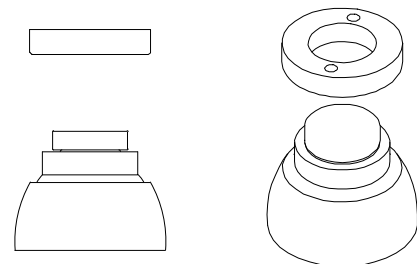
ACDV308/ACDV309 Fitting Details



ACDV308



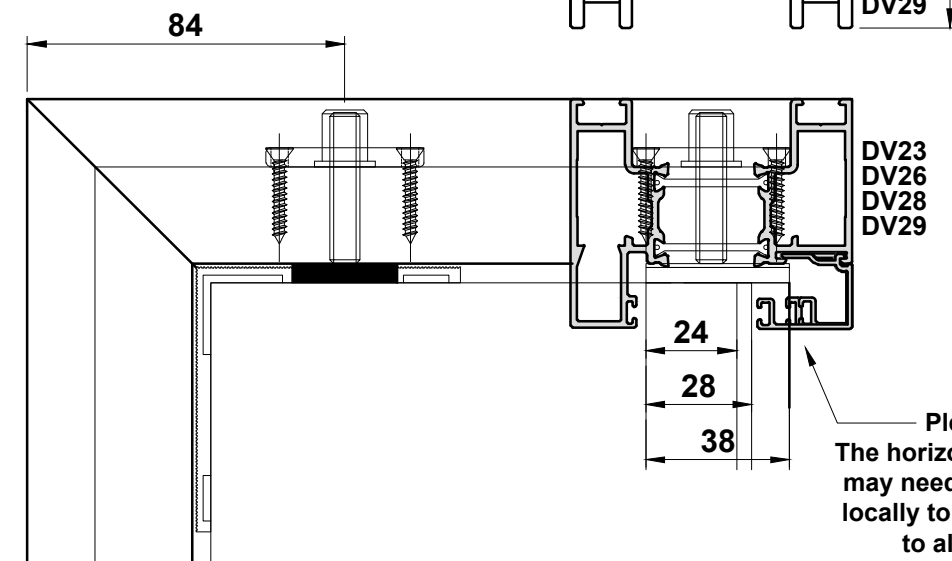
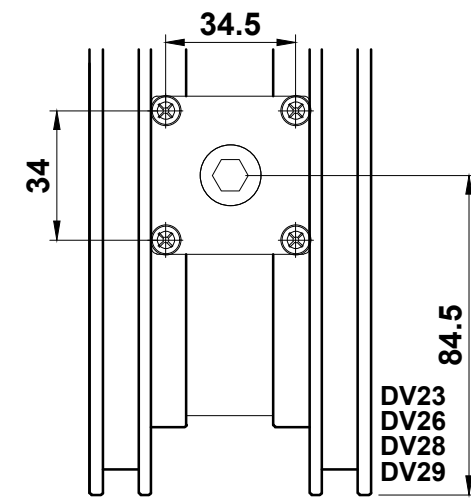
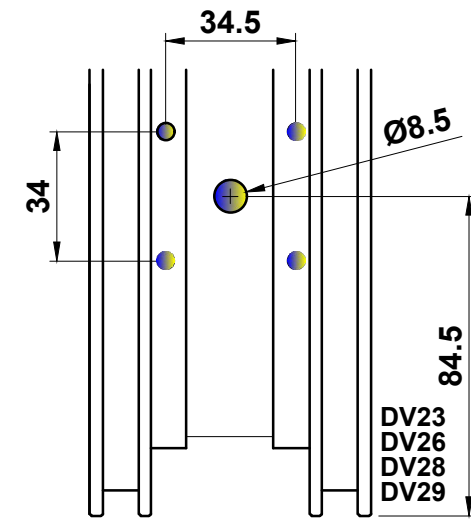
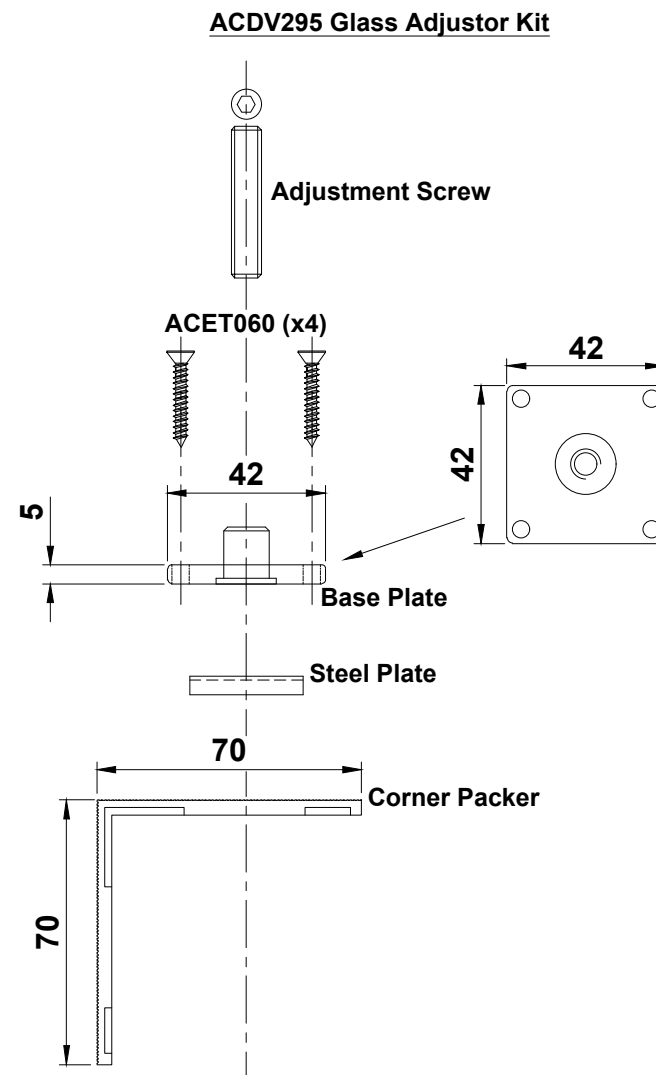
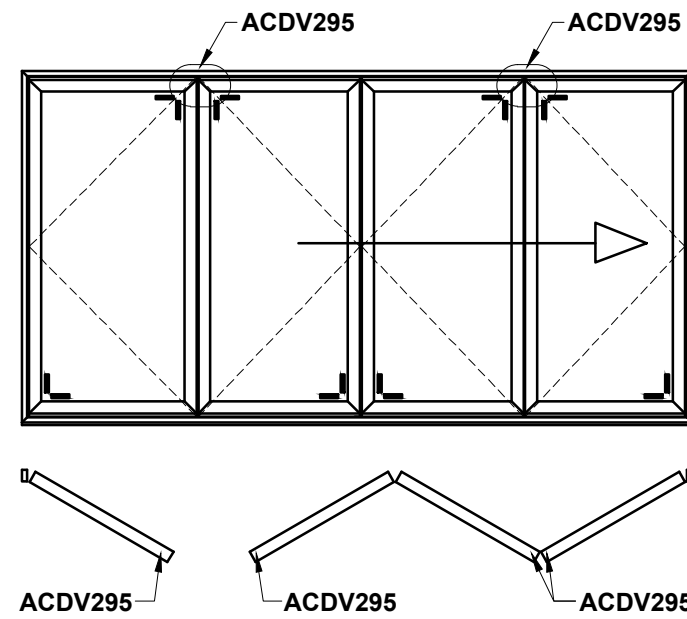
ACDV309



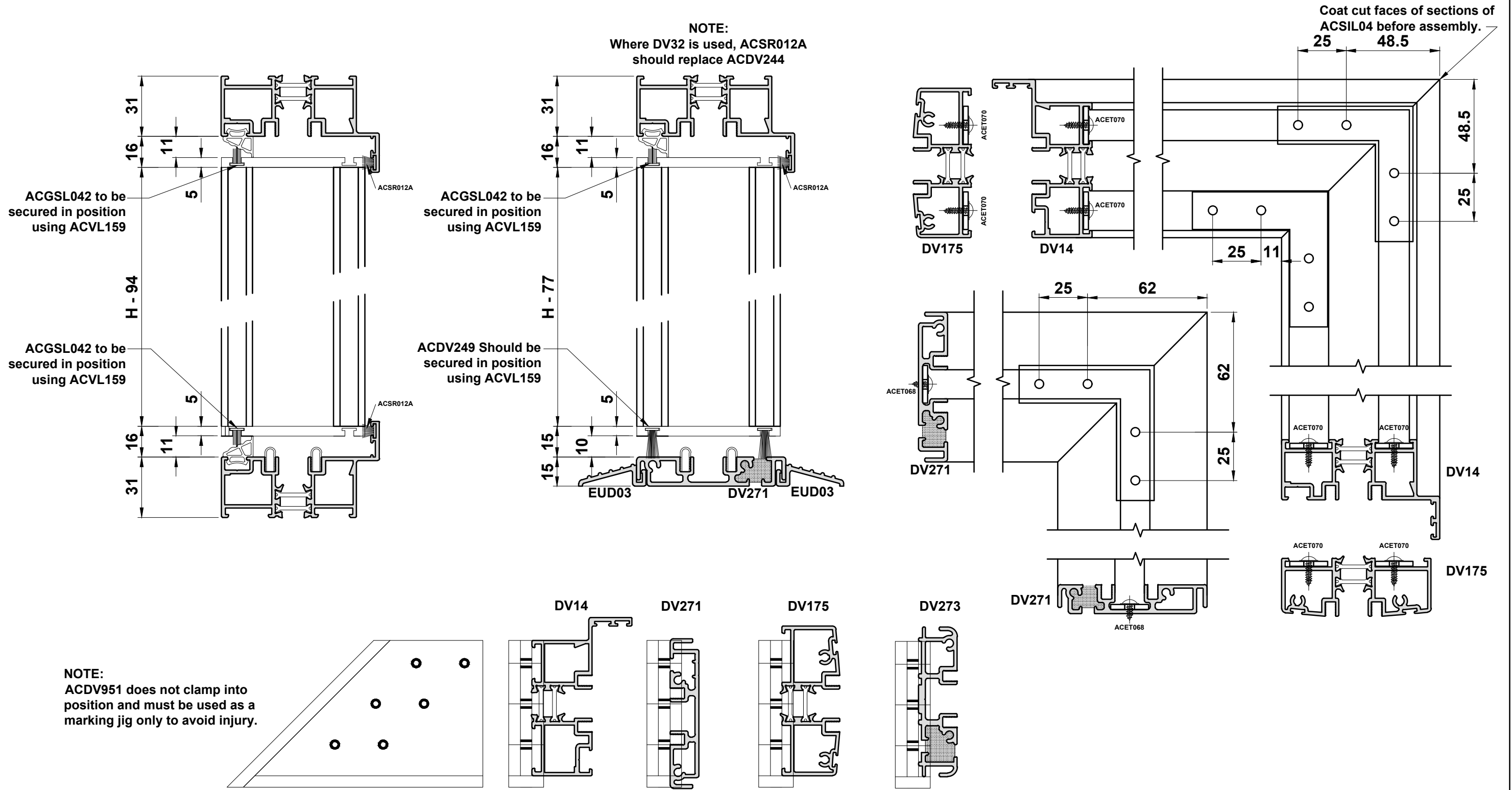
The disc at the wider end of the catch unscrews to allow fixing.

WARNING - the catch is SPRING LOADED, take care when removing from base plate and point in a safe direction

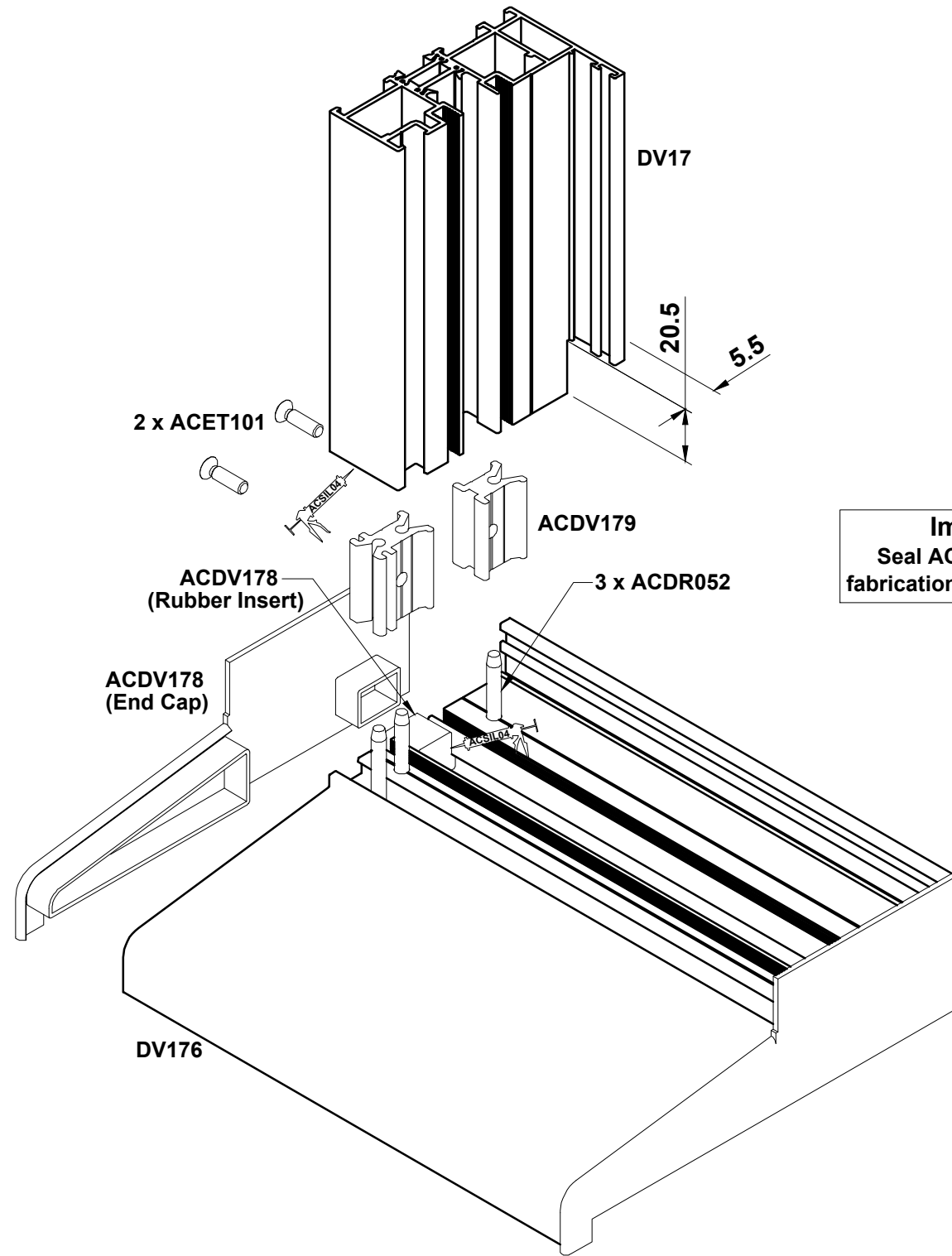
ACDV295 Glass Adjuster Kit



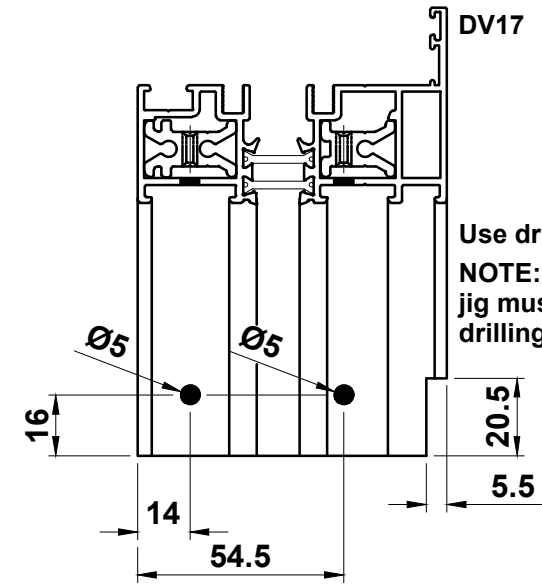
Outer Frame 90° Corner Assembly using ACDV552 & ACDV951



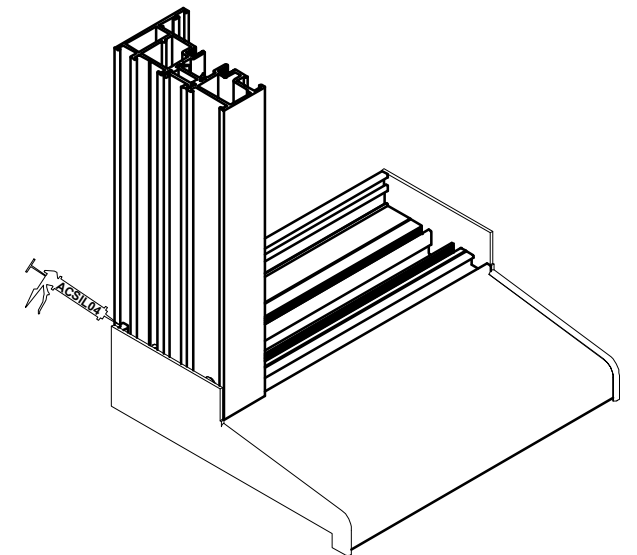
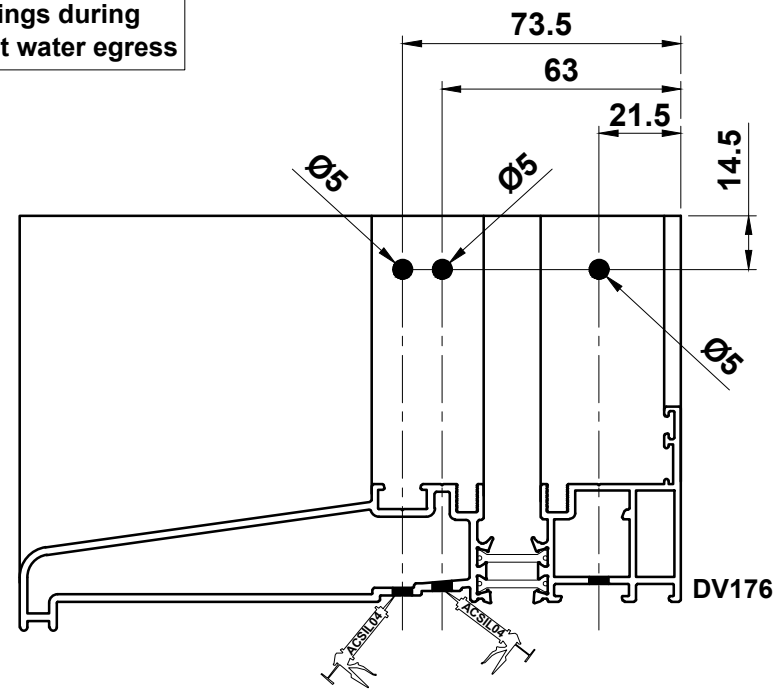
DV17 & DV176 Joint Detail



Important Note:
Seal ACDR052 fixings during fabrication to prevent water egress



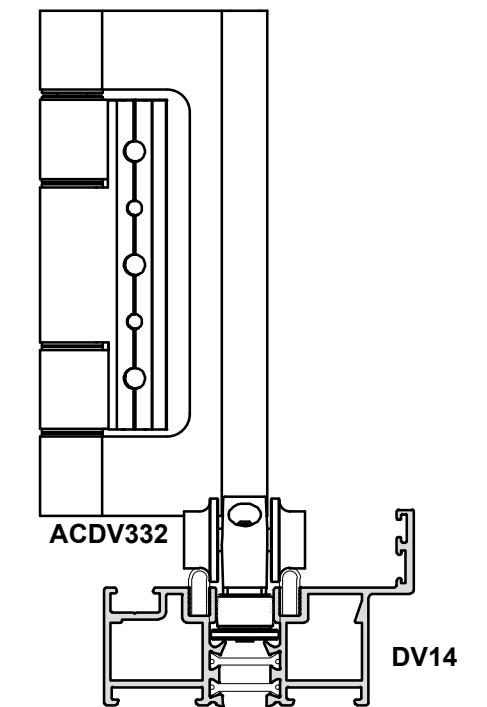
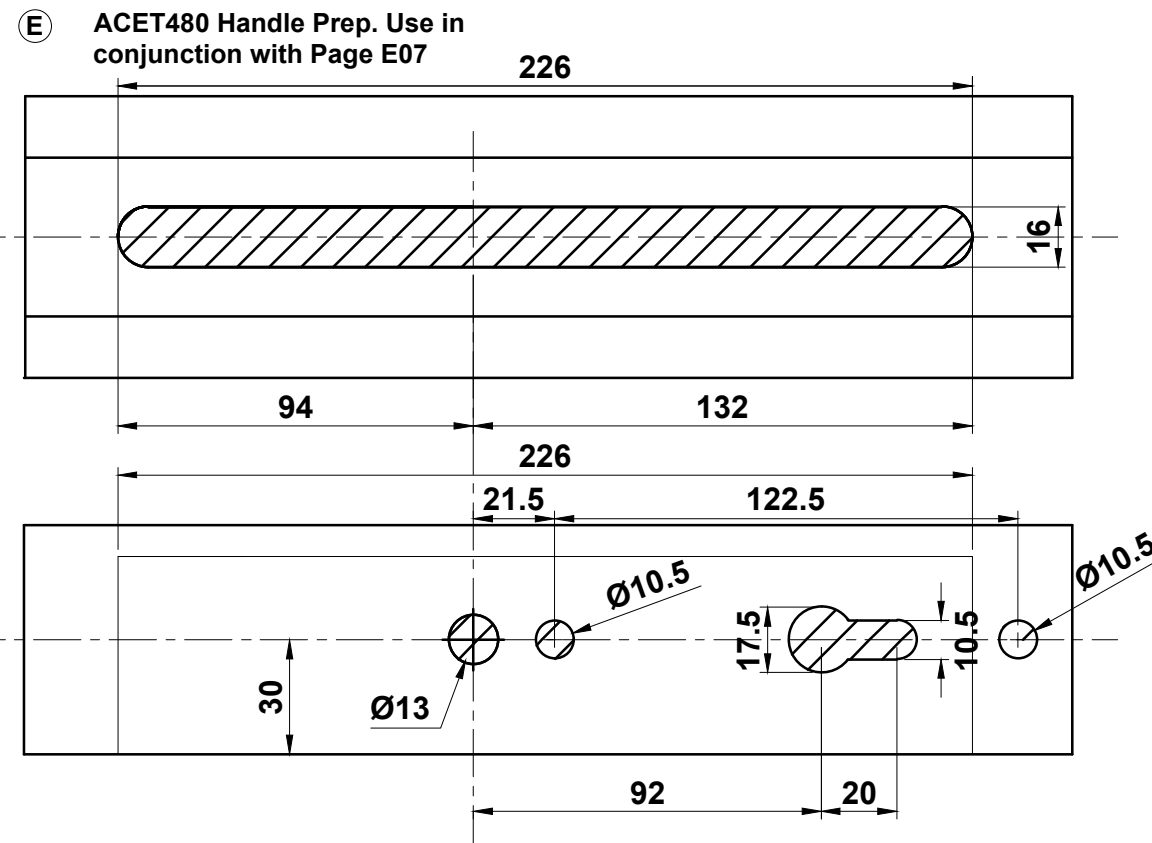
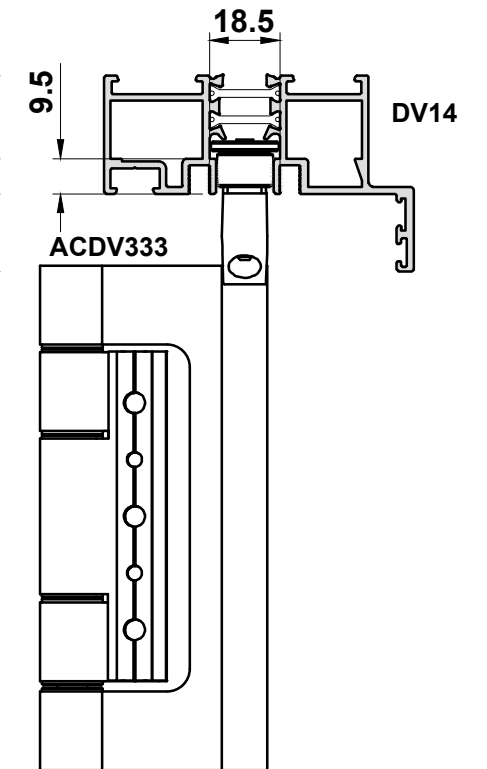
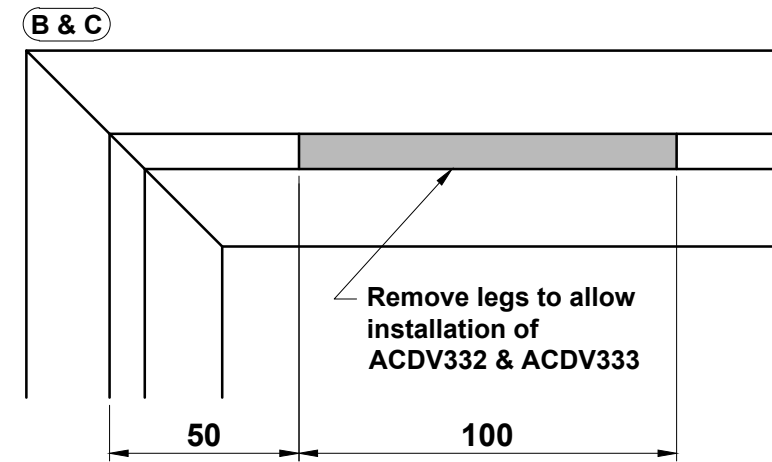
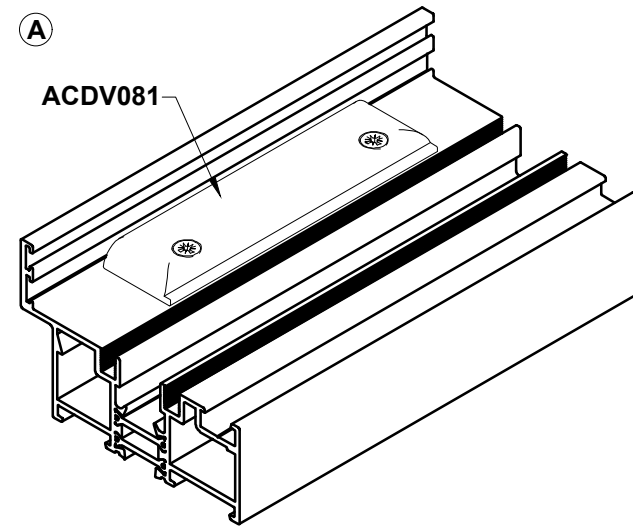
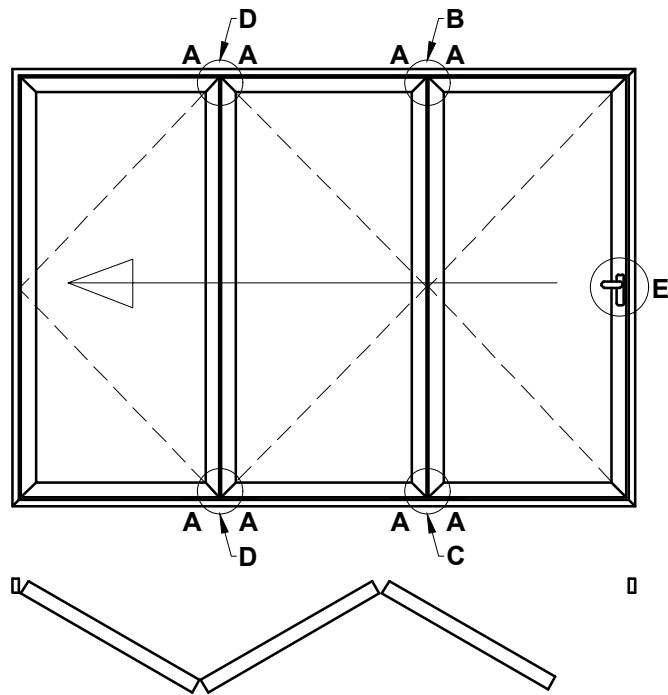
Use drill jig ACDV952
NOTE: To avoid injury, jig must be clamped before drilling



ACDV178 shall be fully sealed against DV17 & DV176 to prevent water egress over edge

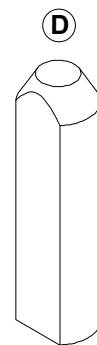
Accessories Required to Achieve PAS24:2016

A	Anti-lift Blocks	ACDV081
B	Top Guide	ACDV333
C	Bottom Roller	ACDV332
D	Shoot Bolts	ACDV328
E	Lever/Lever Handle	ACET480



Additional Notes:

1. ACDV225 shoot bolt handle with ACMX01604 cylinder must be used to operate shoot bolt
2. ACDV722 & ACDV723 was used for the traffic door
3. Pack glass tightly along the sides of the traffic door to prevent movement
4. The full test report is available to download at www.smartsystems.co.uk



ACDV328 Nylon coated stainless steel top & bottom shoot bolt rods

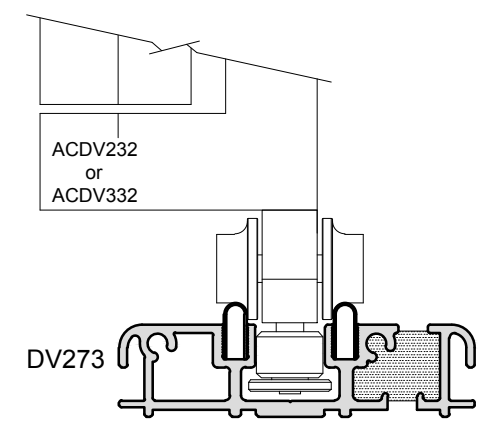
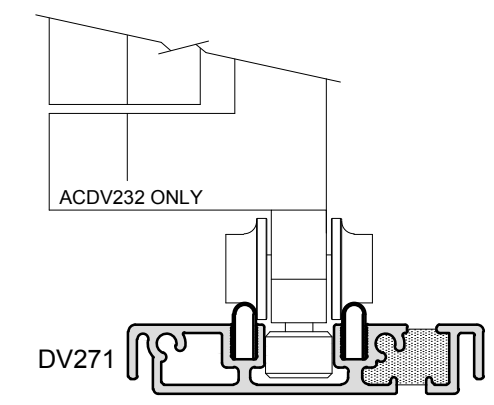
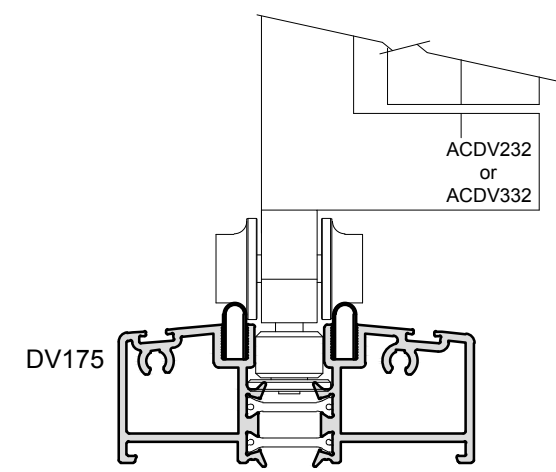
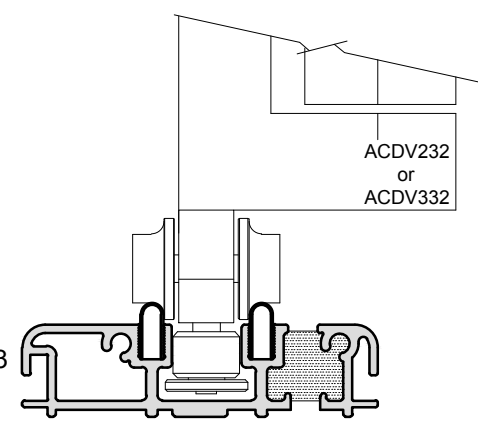
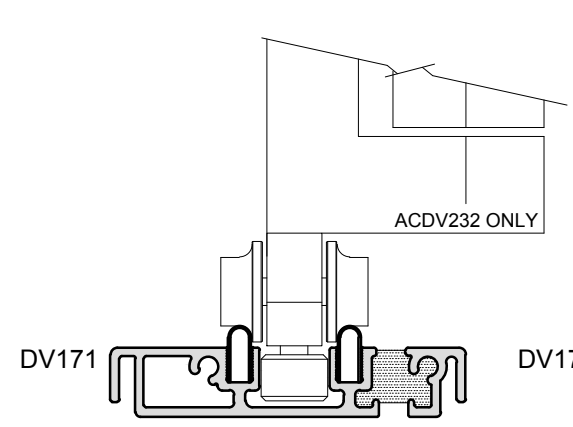
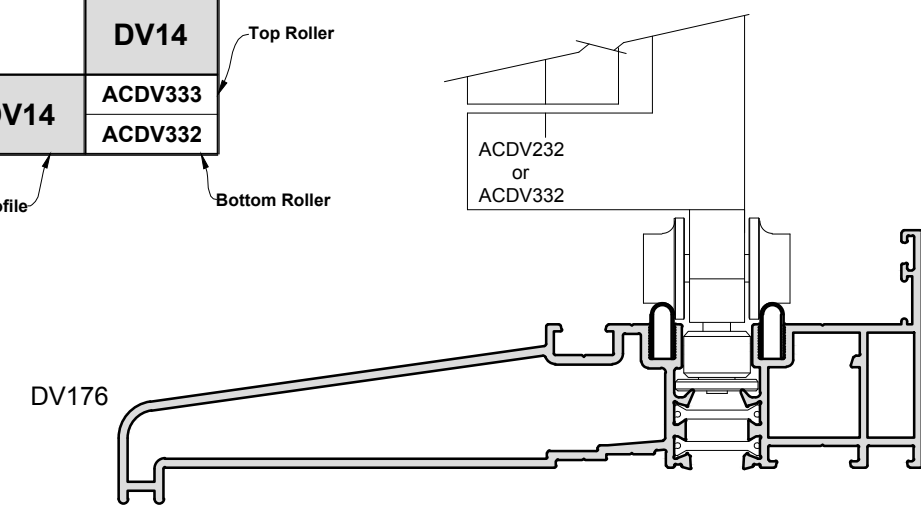
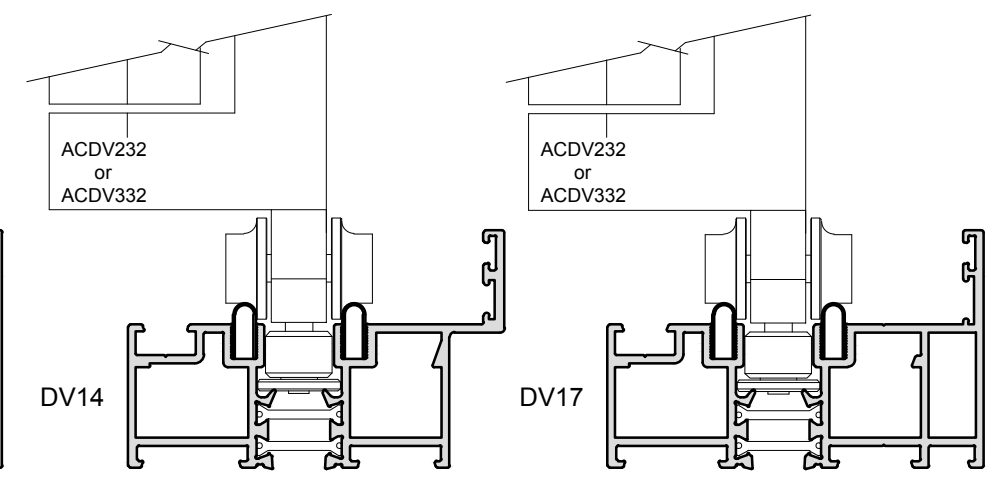
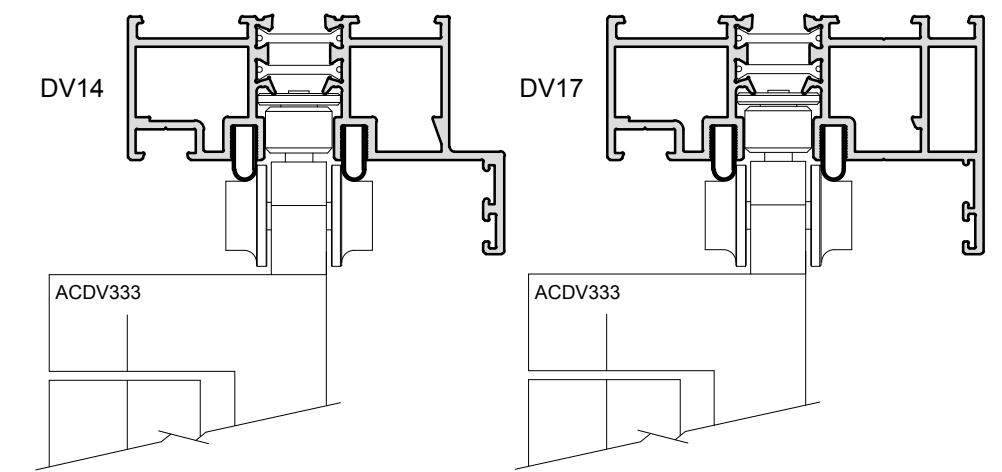
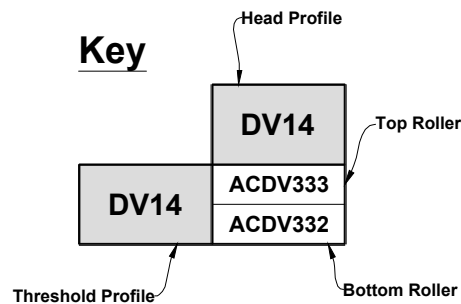
PAS24:2016 Hinged Rollers

PAS24:2016 Hinged Roller Combinations

		Head Profile	
		DV14	DV17
Threshold Profile	DV14	ACDV333	
		ACDV332	
	DV17		ACDV333
			ACDV332
	DV171	ACDV333	ACDV333
		ACDV232	ACDV232
	DV173	ACDV333	ACDV333
		ACDV332	ACDV332
	DV175	ACDV333	ACDV333
		ACDV332	ACDV332
DV176		ACDV333	
		ACDV332	
DV271	ACDV333	ACDV333	
	ACDV232	ACDV232	
DV273	ACDV333	ACDV333	
	ACDV332	ACDV332	

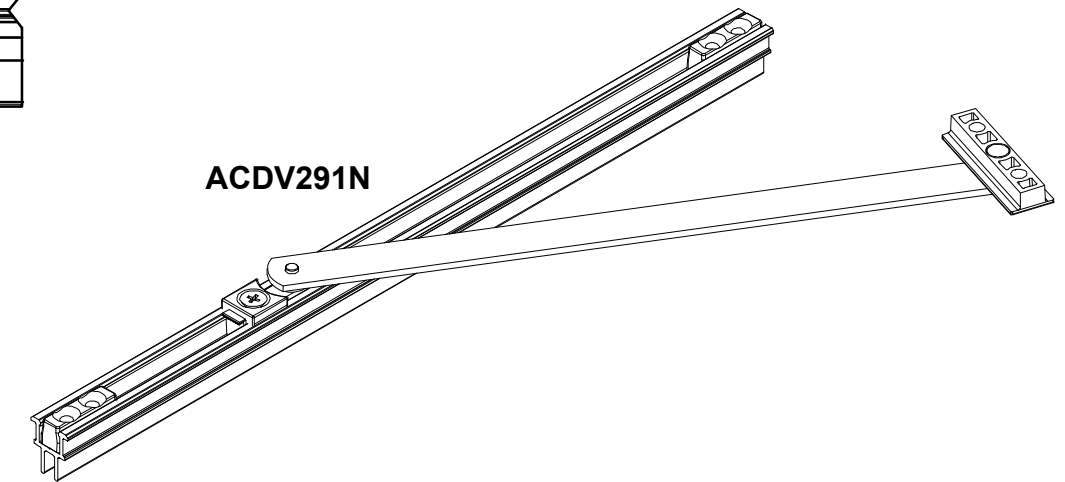
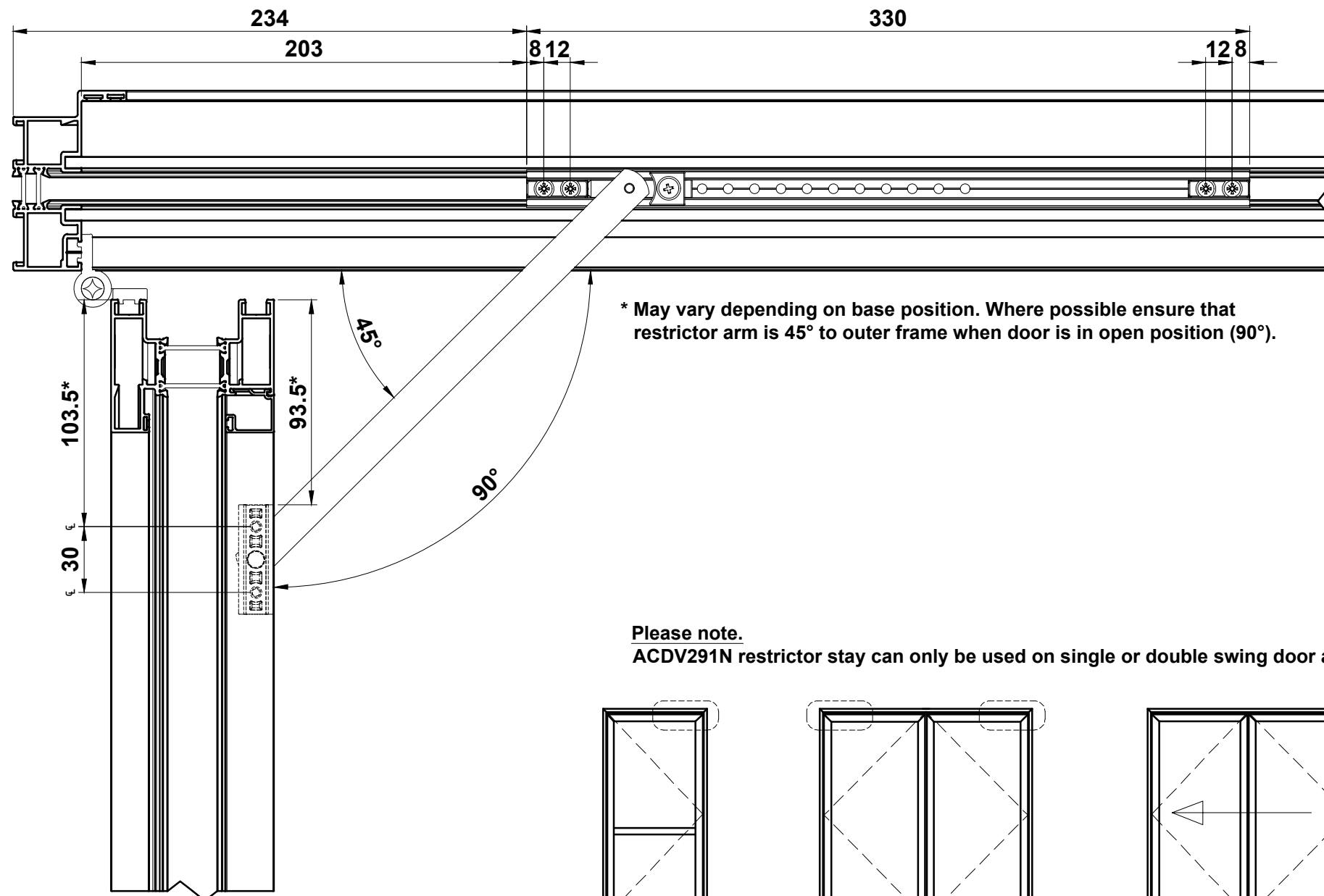
Important PAS24:2016 Instruction:

Retained hinged rollers are optional in order to achieve PAS24:2016, except when using DV171 & DV271 low thresholds.
When using DV171 or DV271 low thresholds, non retained hinged rollers must be used.
Please see table for details on rollers and where they can be used.



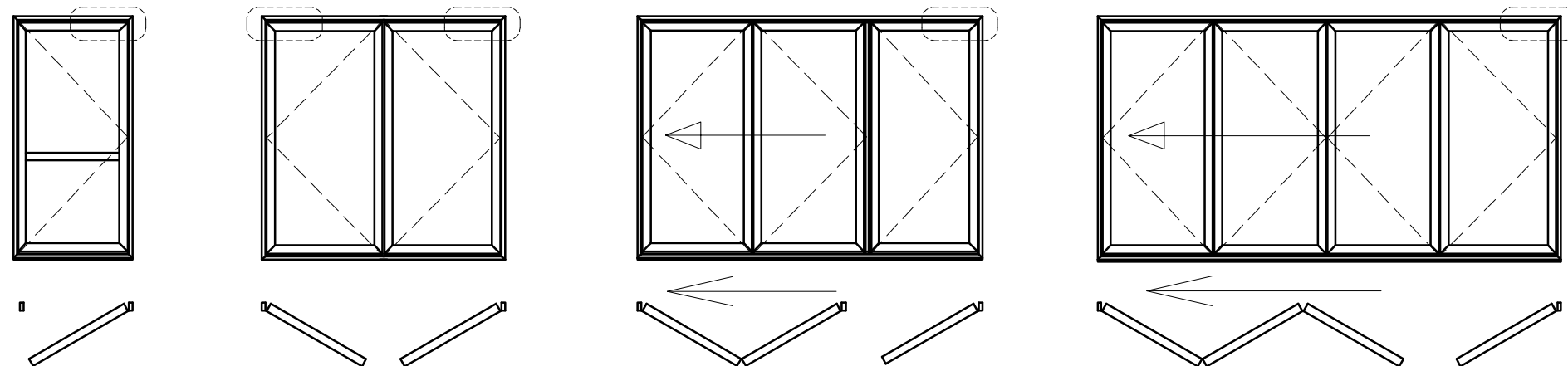
ACDV291N Restrictor

Viewed From Bottom



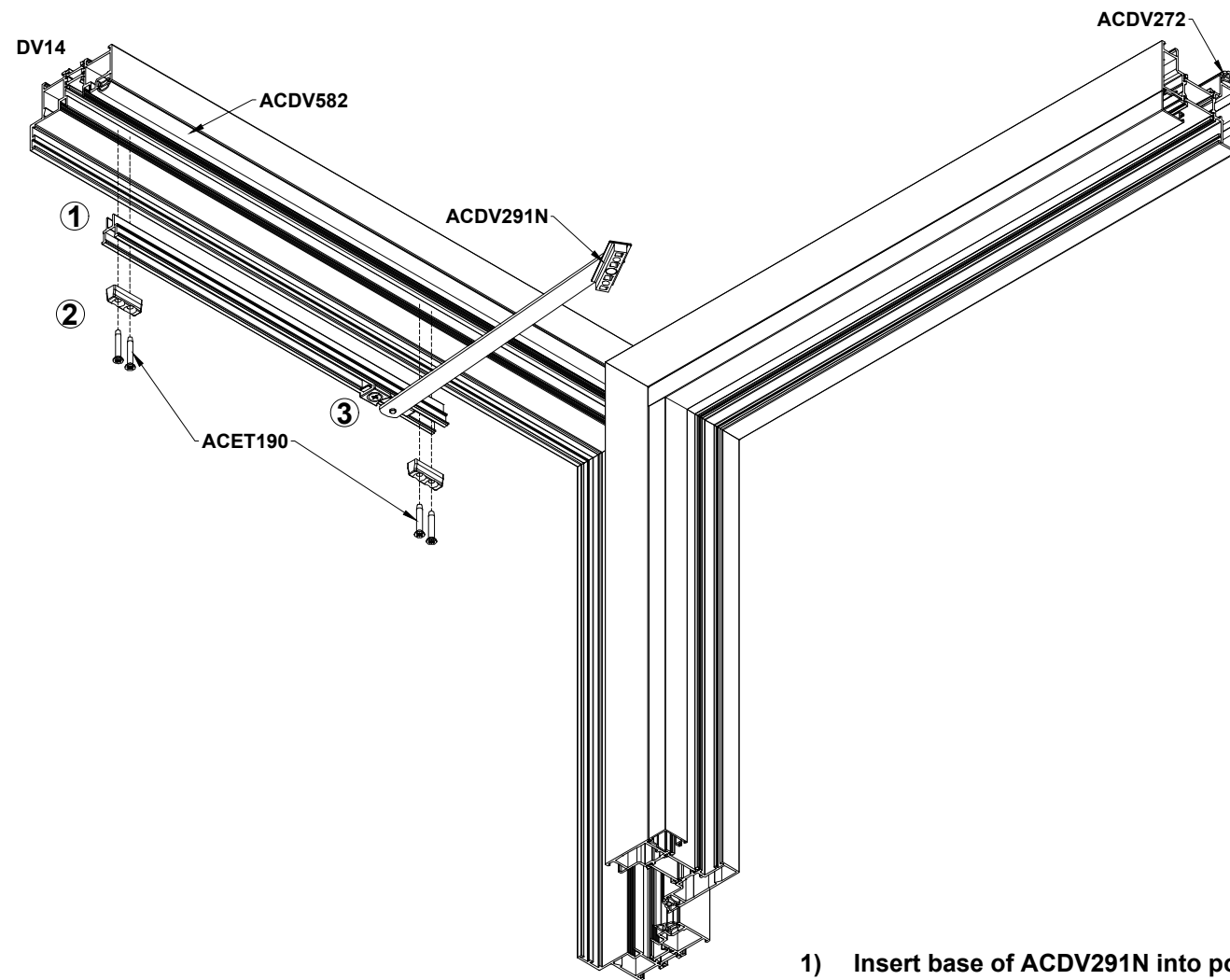
Please note.

ACDV291N restrictor stay can only be used on single or double swing door applications, as shown below.



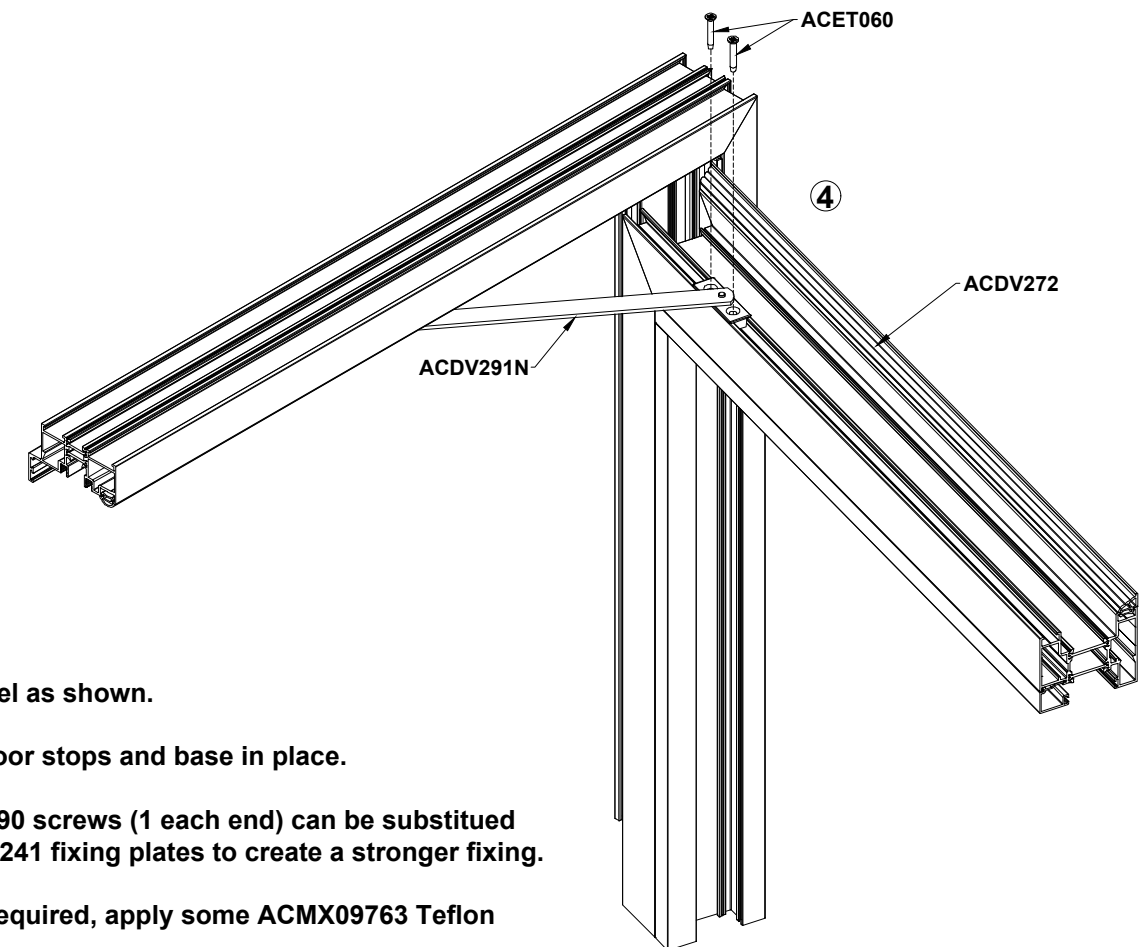
Further fitting details on next page

ACDV291N Restrictor



Please Note

Door needs to be closed slightly in order to install both screws as shown below.



- 1) Insert base of ACDV291N into polyamide channel as shown.
- 2) Use 4 x ACET190 polyamide screws to fix the door stops and base in place.

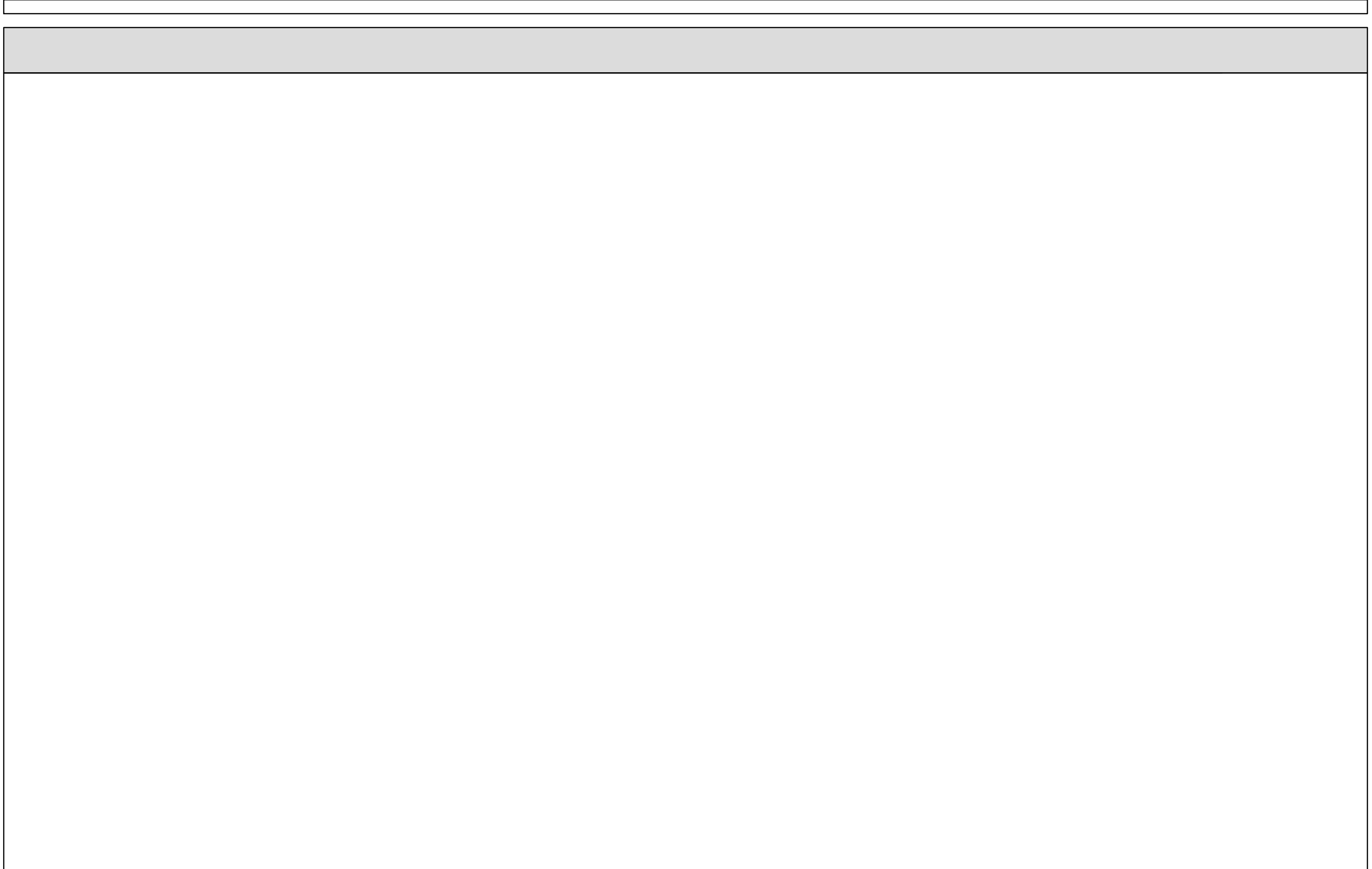
 Note: if fixed before door is installed 2 x ACET190 screws (1 each end) can be substituted for 2 x ACDV264 machine screws and 2 x ACDV241 fixing plates to create a stronger fixing.
- 3) Ensure components move freely in channel. If required, apply some ACMX09763 Teflon lubrication spray.
- 4) Adjust door leaf to open at 90°. Once in place insert the restrictor bracket into the internal gasket channel on sash as shown. Spot and drill 2 x Ø3mm holes. Close the door slightly and then fix in place using 2 x ACET060 self tapping screws.



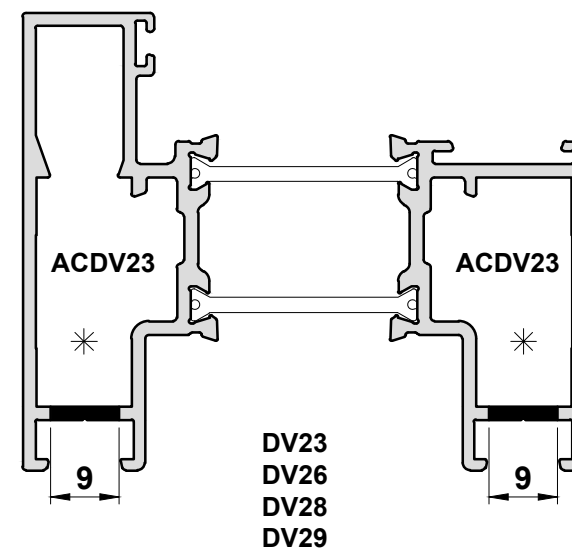
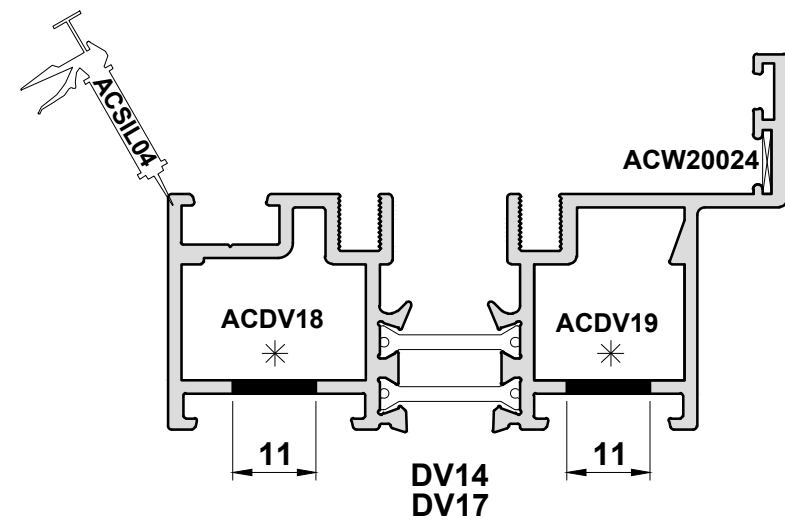
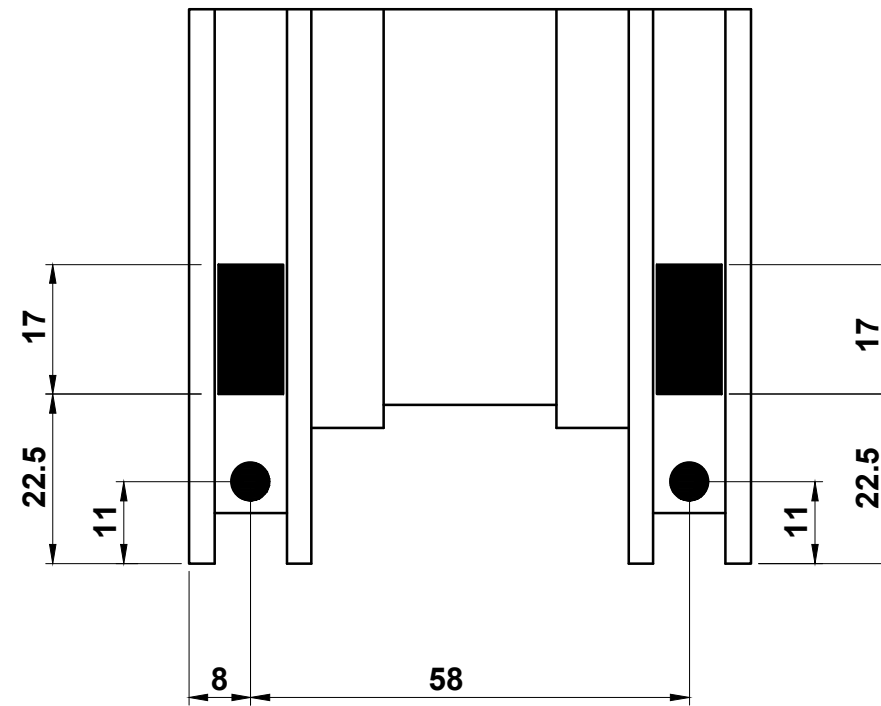
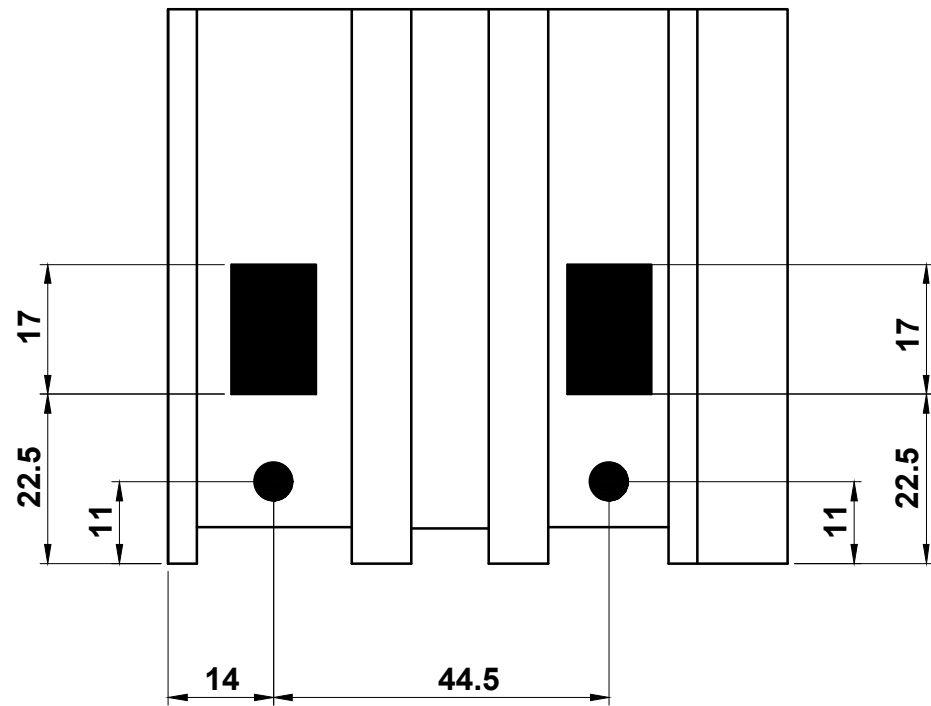
Section E

Construction Drawings - Open In

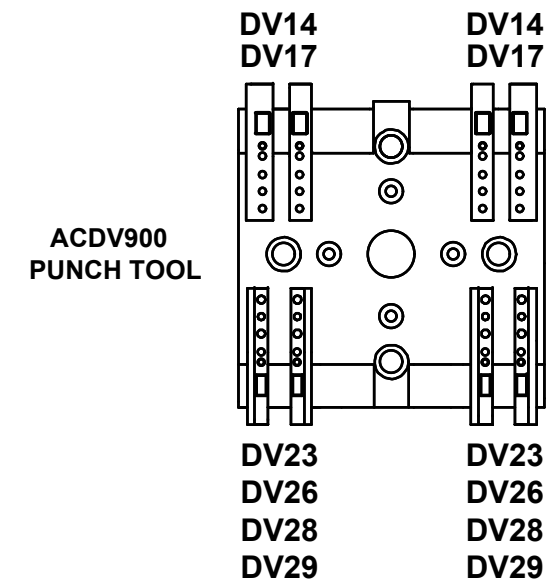
Corner & Transom Jointing.....	Page E49-E51
Drainage.....	Page E52
Locking Hardware.....	Page E53-E72
Flush Handle Installation.....	Page E73
DV50 Sash Reinforcement.....	Page E74
Adjustable Jamb.....	Page E75
DV32/DV38 Preparation.....	Page E76
Weather Seals.....	Page E77-E79
Hinges.....	Page E80-E81
Glazing.....	Page E82
Magnetic Catch.....	Page E83-E84
Glass Adjuster Kit	Page E85
90° Corner Assembly Post	Page E86
ACDV291N Restrictor	Page E87-E88



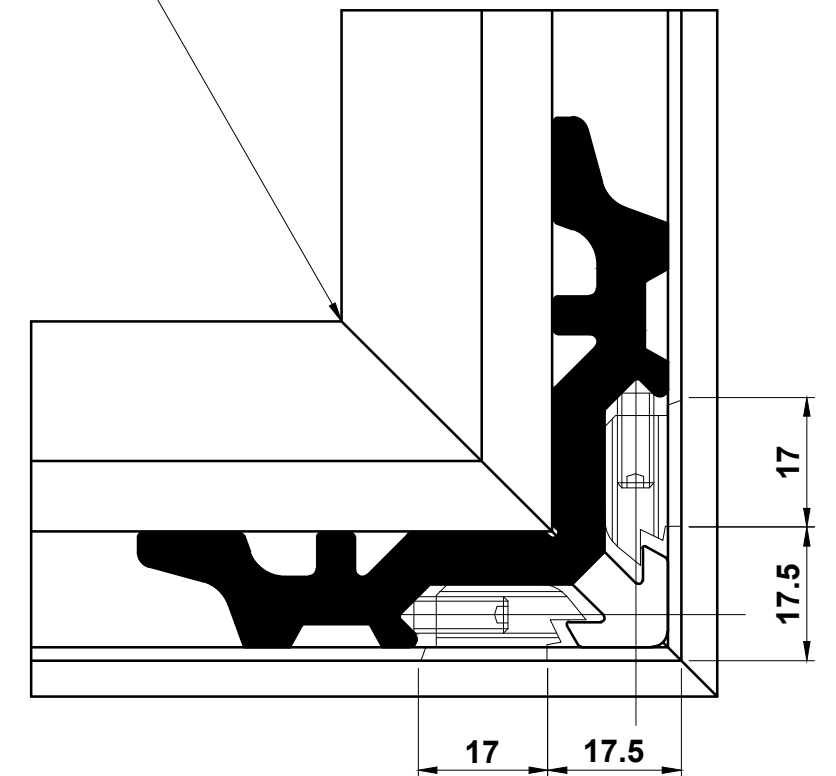
Corner Preparation



APPLY GLUE (ACFIL013) TO CLEAT APERTURE MARKED *

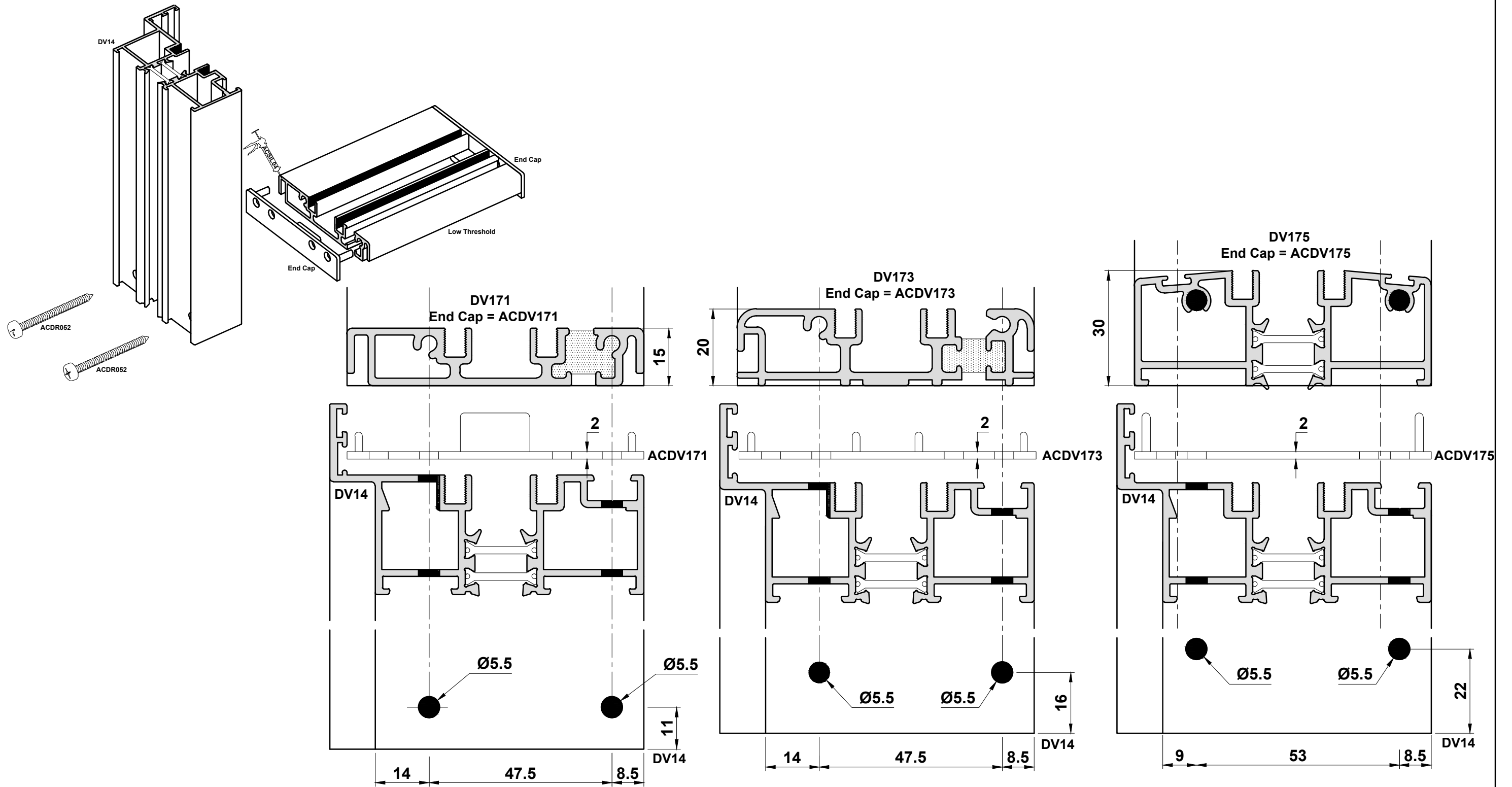


COAT CUT FACE OF PROFILE WITH ACSIL04 PRIOR TO MECHANICALLY JOINING



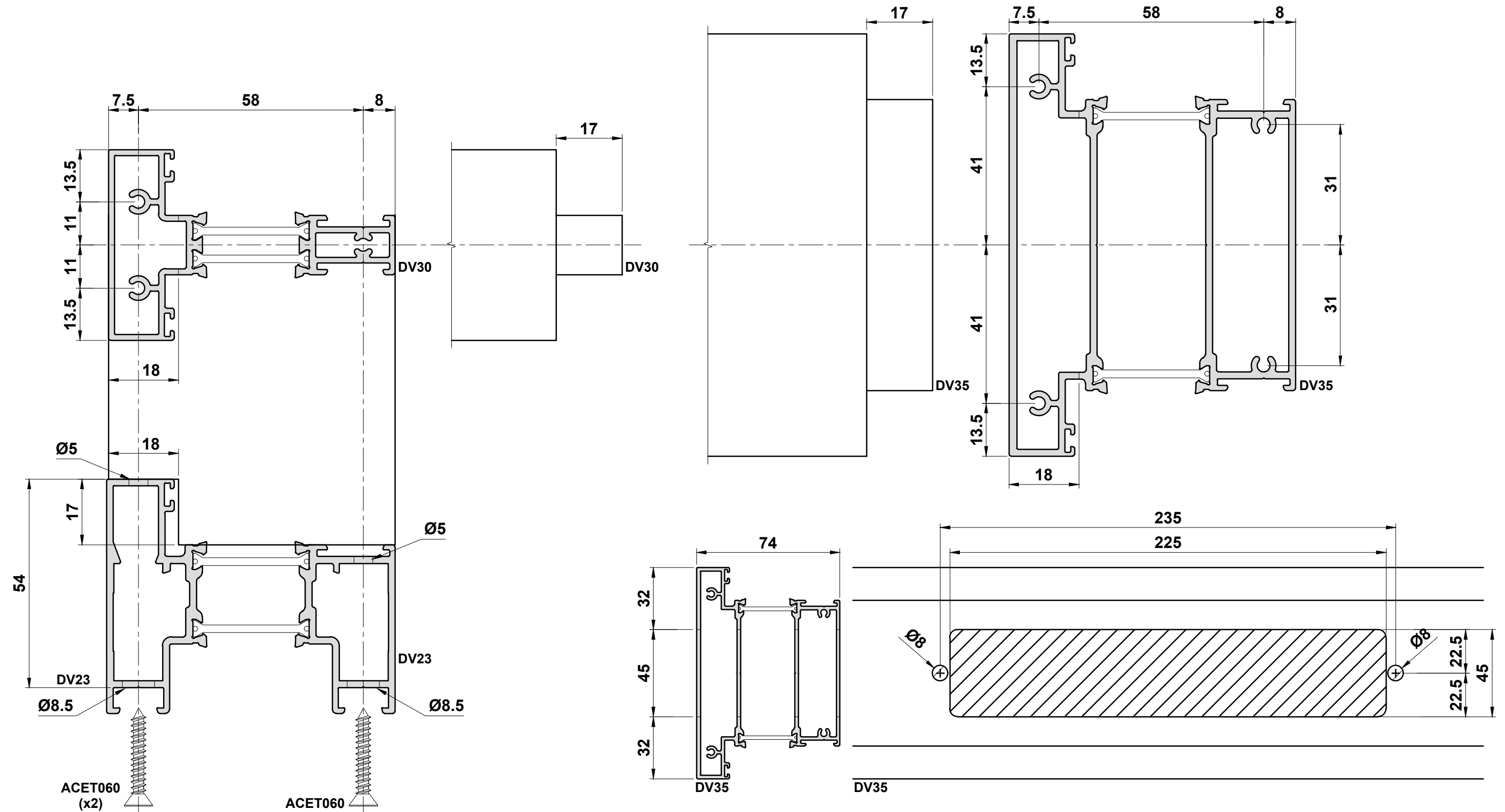
Do Not Scale From This Drawing

Low Threshold Preparation



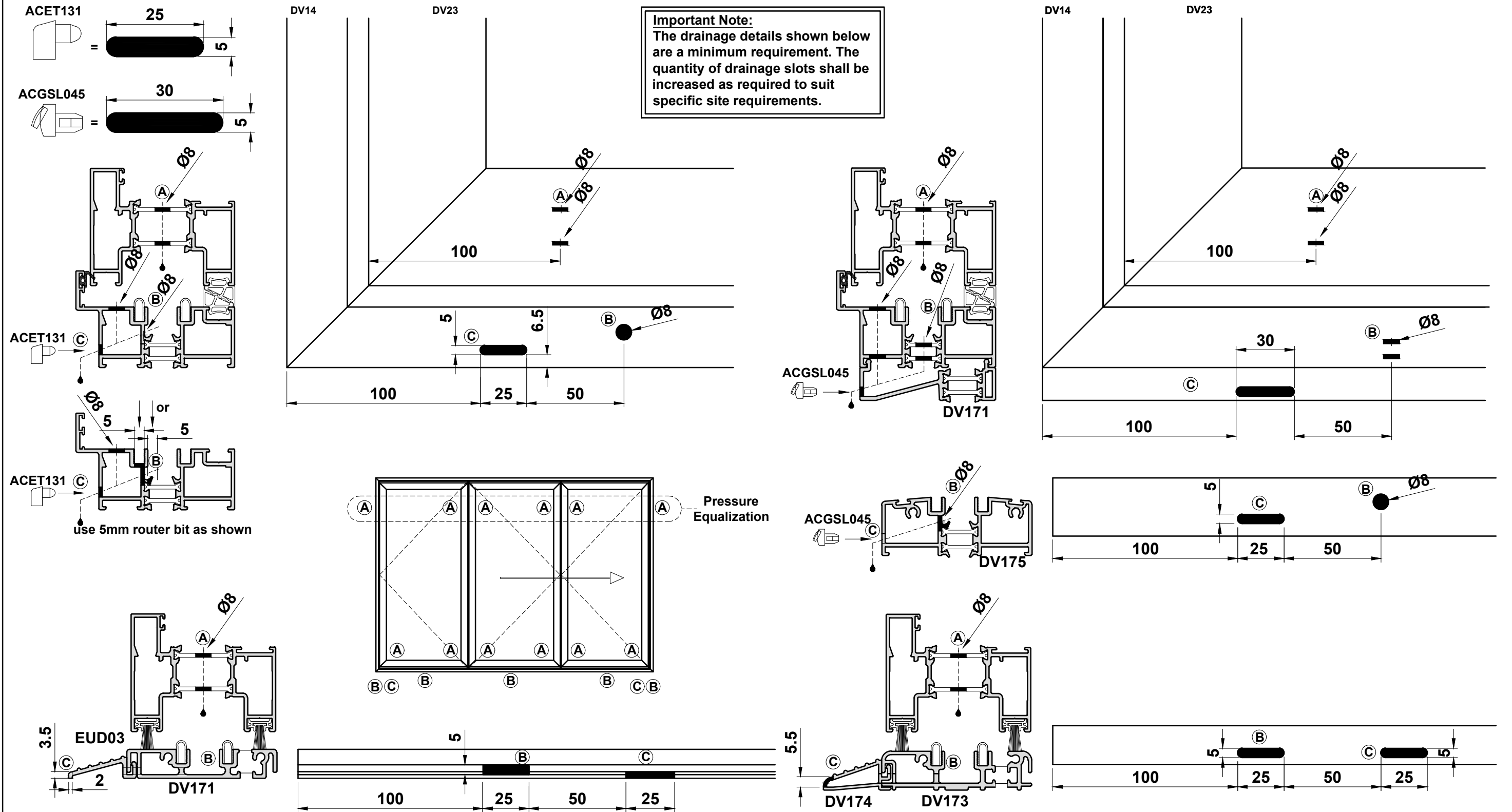
Do Not Scale From This Drawing

DV30 & DV35 Mid-Rail Preparation



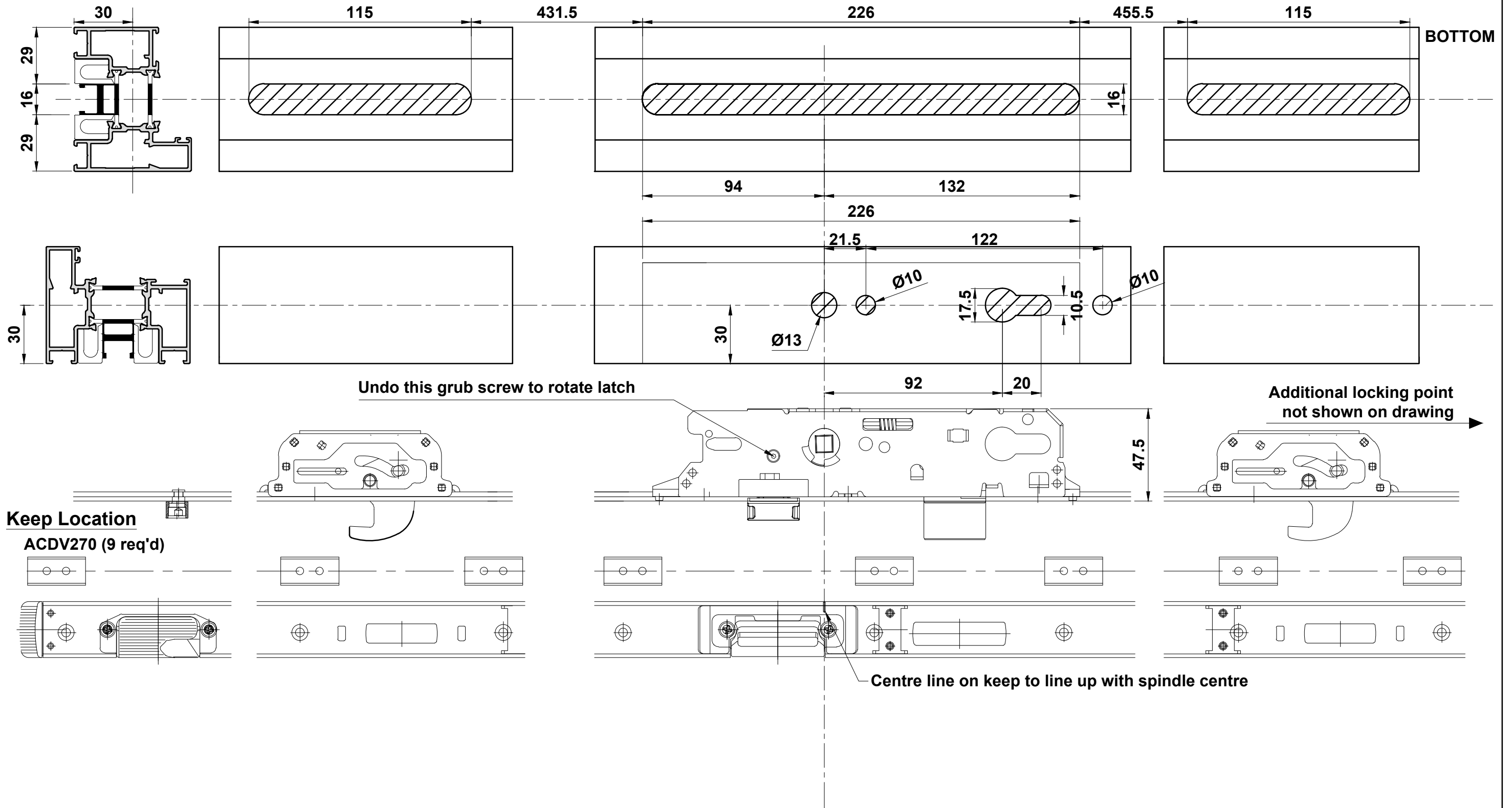
Do Not Scale From This Drawing

Drainage Details



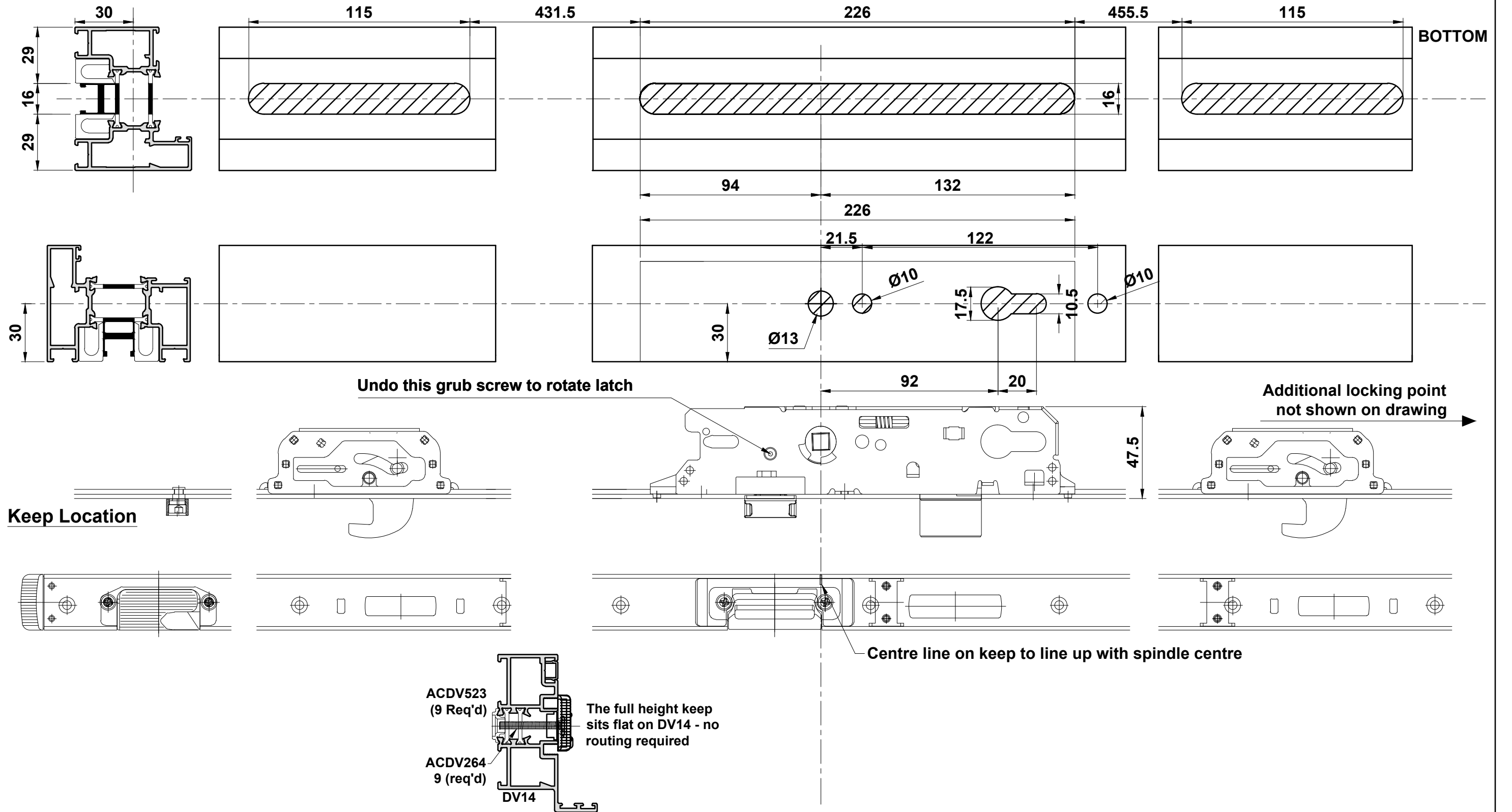
Do Not Scale From This Drawing

ACDV722/ACDV723 Preparation in DV23 & DV26 Locking into DV23 & DV26 with ACDV251 Handle



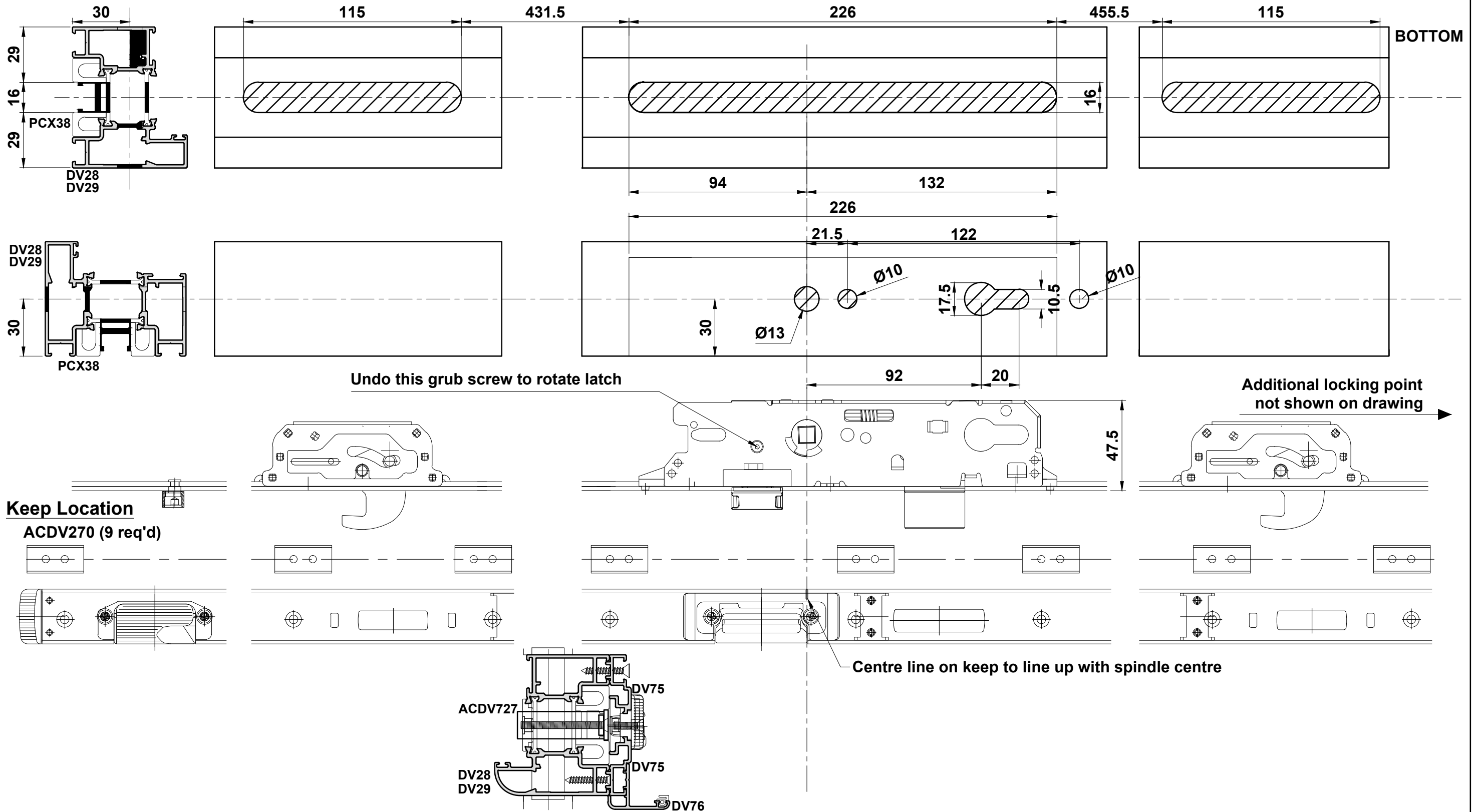
Do Not Scale From This Drawing

ACDV722/ACDV723 Preparation in DV23 & DV26 Locking into DV14 with ACDV251 Handle

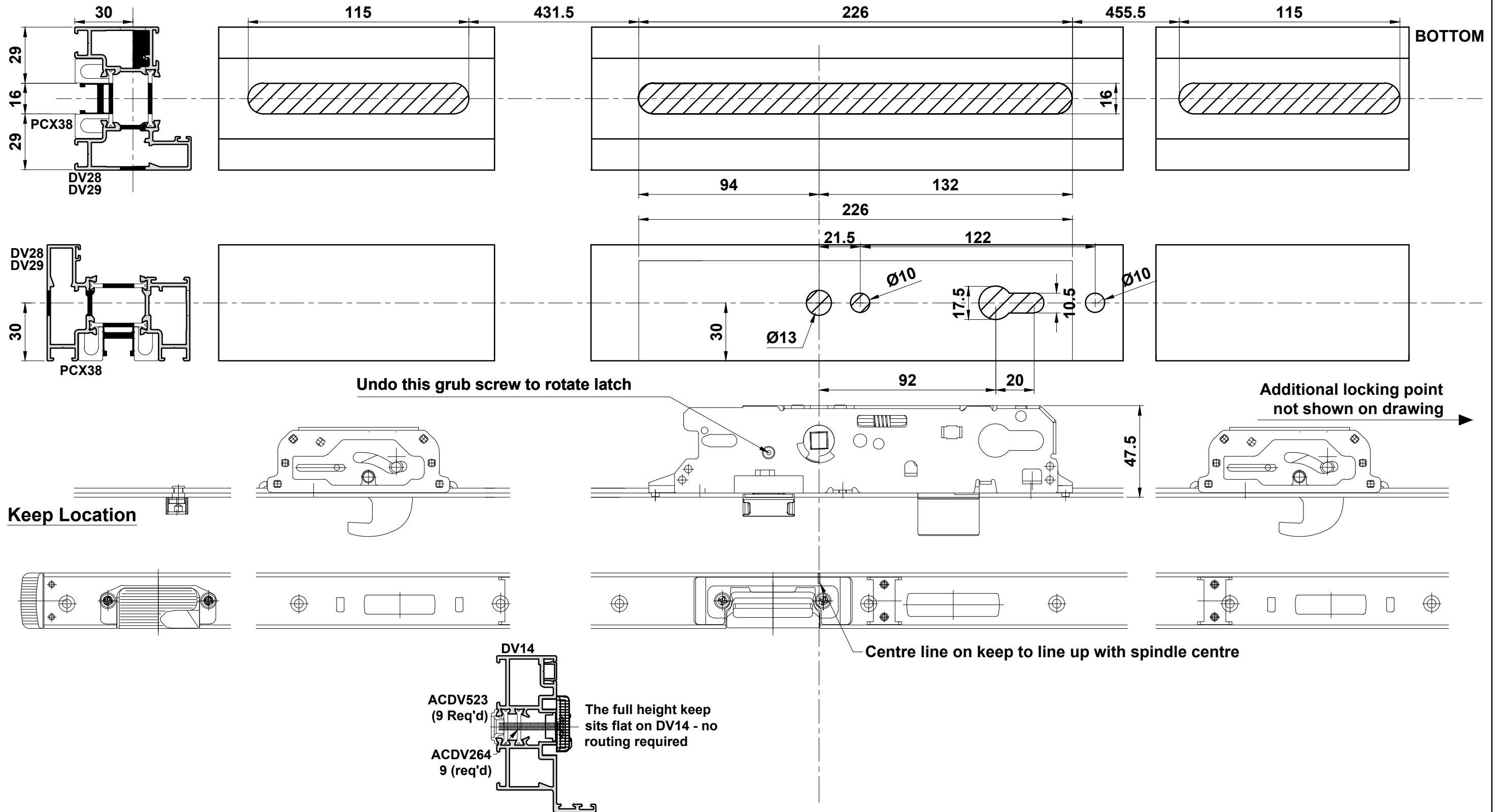


Do Not Scale From This Drawing

ACDV722/ACDV723 Preparation in DV28 & DV29 Locking into DV75 with ACDV251 Handle

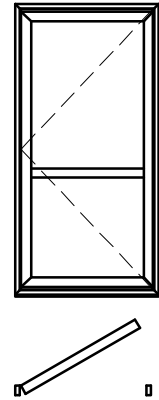


ACDV722/ACDV723 Preparation DV28 & DV29 Locking into DV14 with ACDV251 Handle

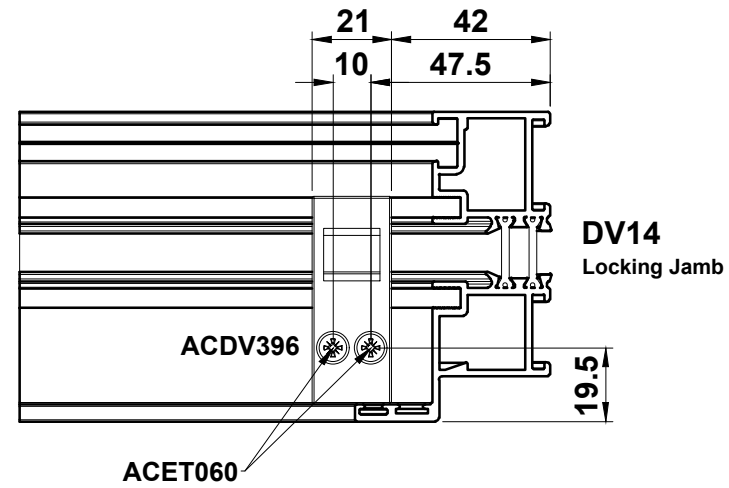


Do Not Scale From This Drawing

ACDV396 Shootbolt Keep Detail for Single Doors



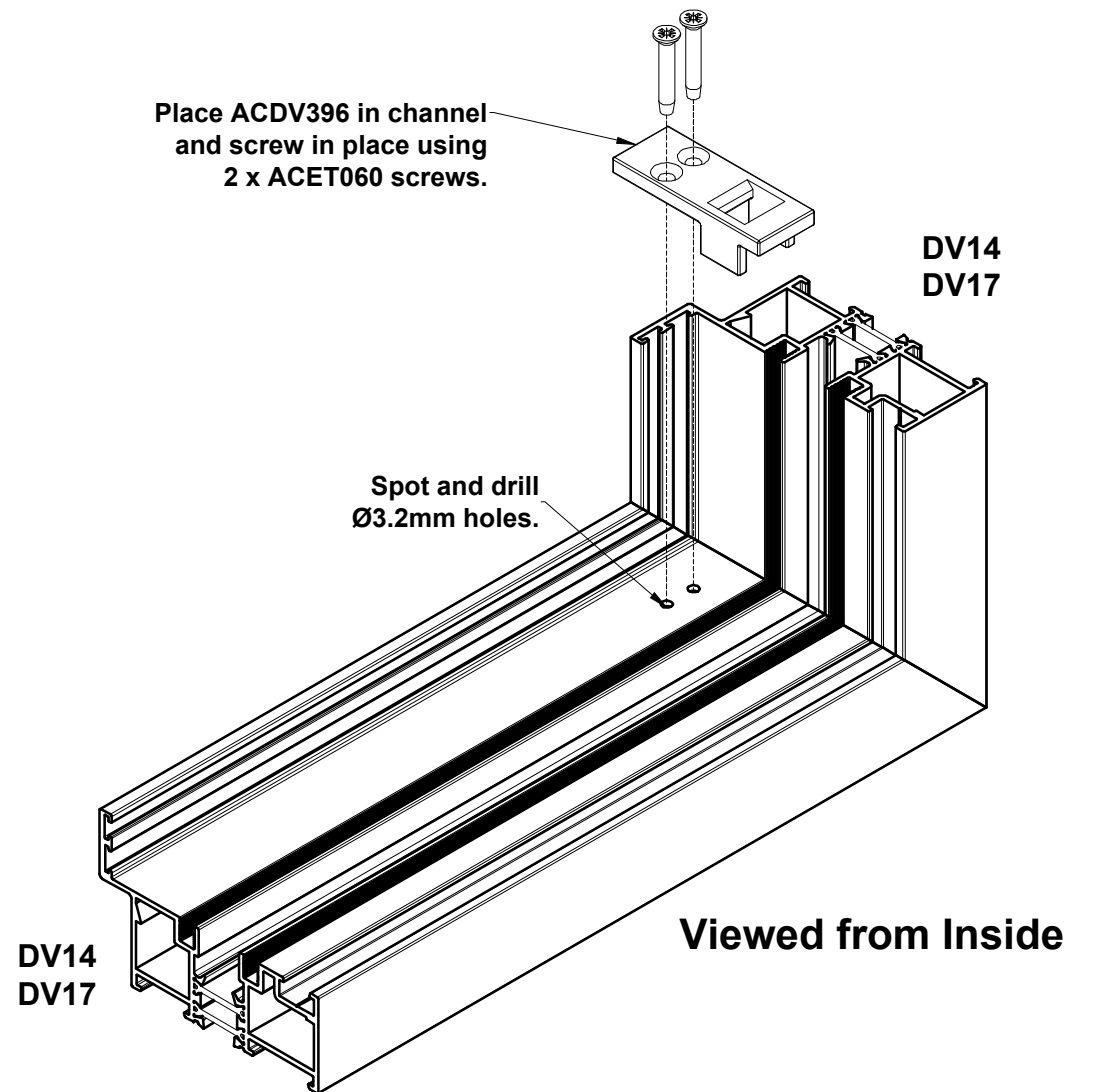
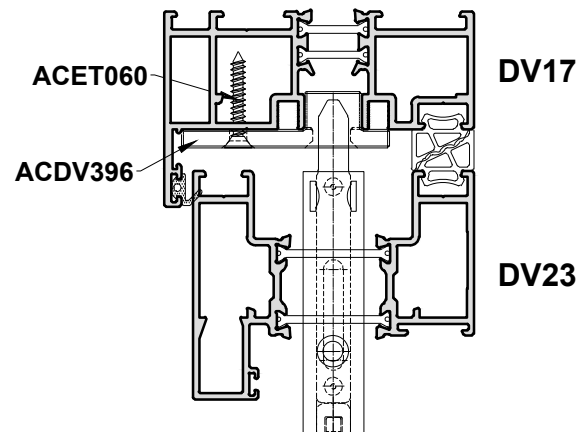
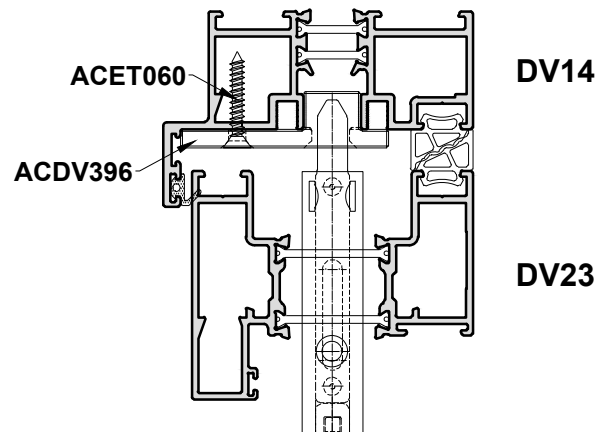
Viewed from Bottom



Important Note
ACDV396 is only compatible
with DV14 & DV17.

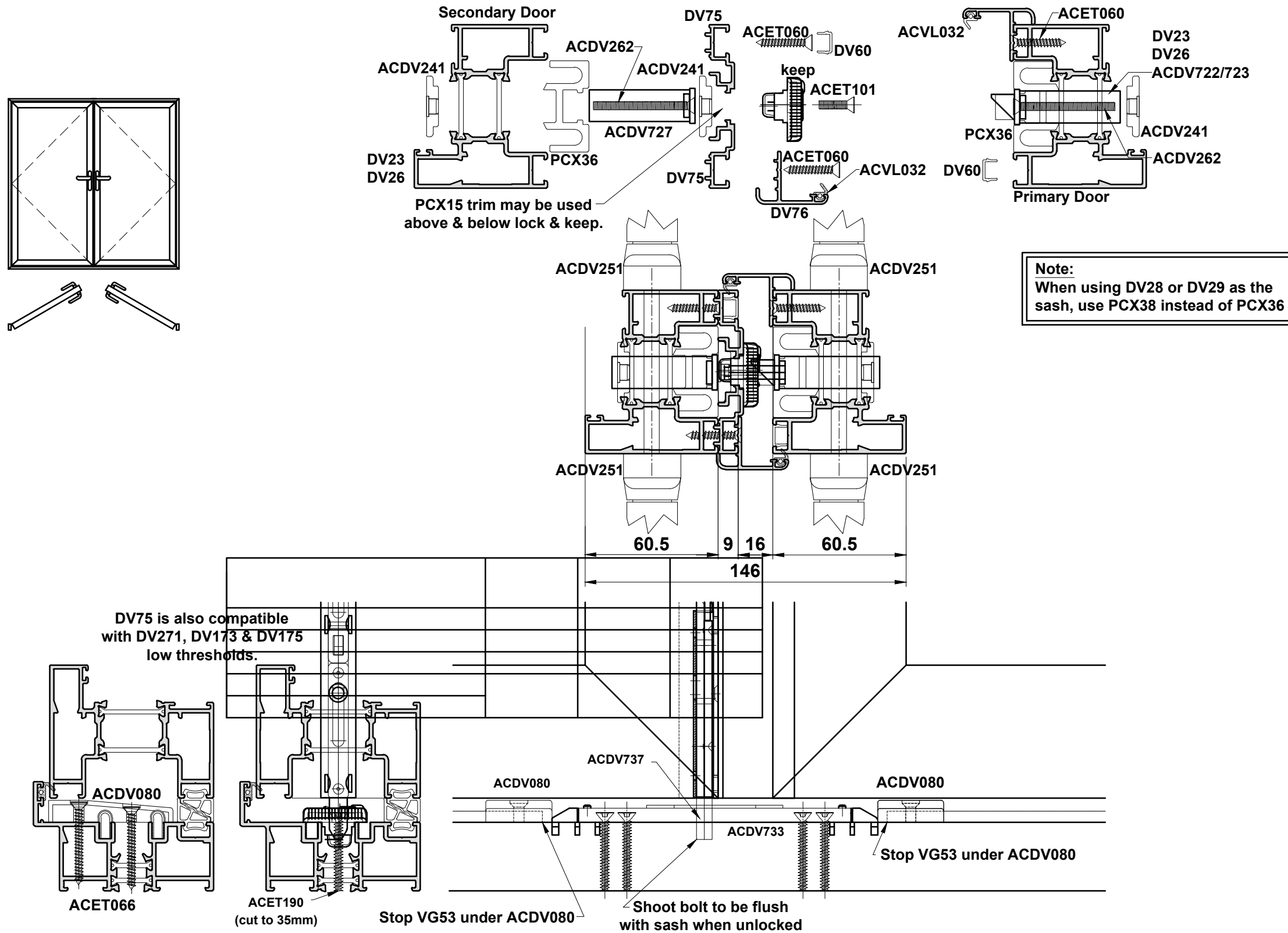
Place ACDV396 in channel
and screw in place using
2 x ACET060 screws.

It is recommended that ACDV396 keep to be installed in the head of doors where Sash Height exceeds 2300mm.



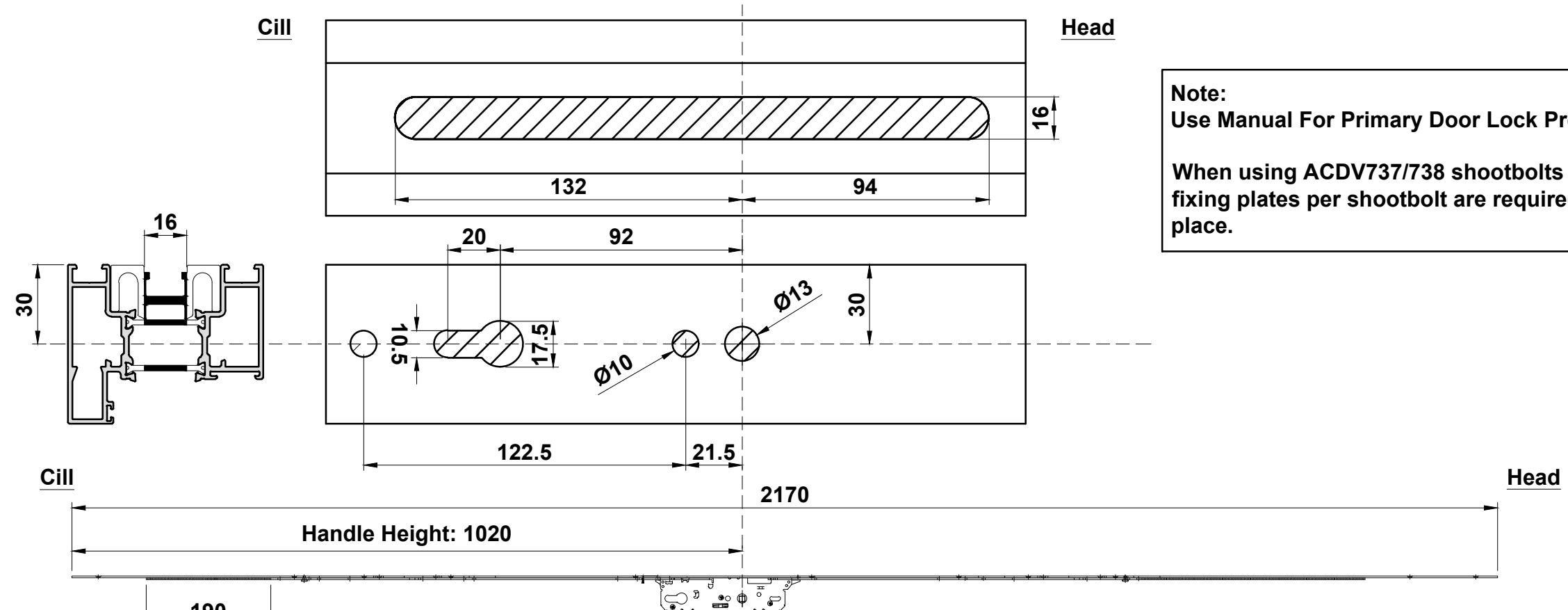
Do Not Scale From This Drawing

Lever/Lever Handles to Primary & Secondary Leaf



Do Not Scale From This Drawing

ACDV727 Preparation with ACDV251 Handle



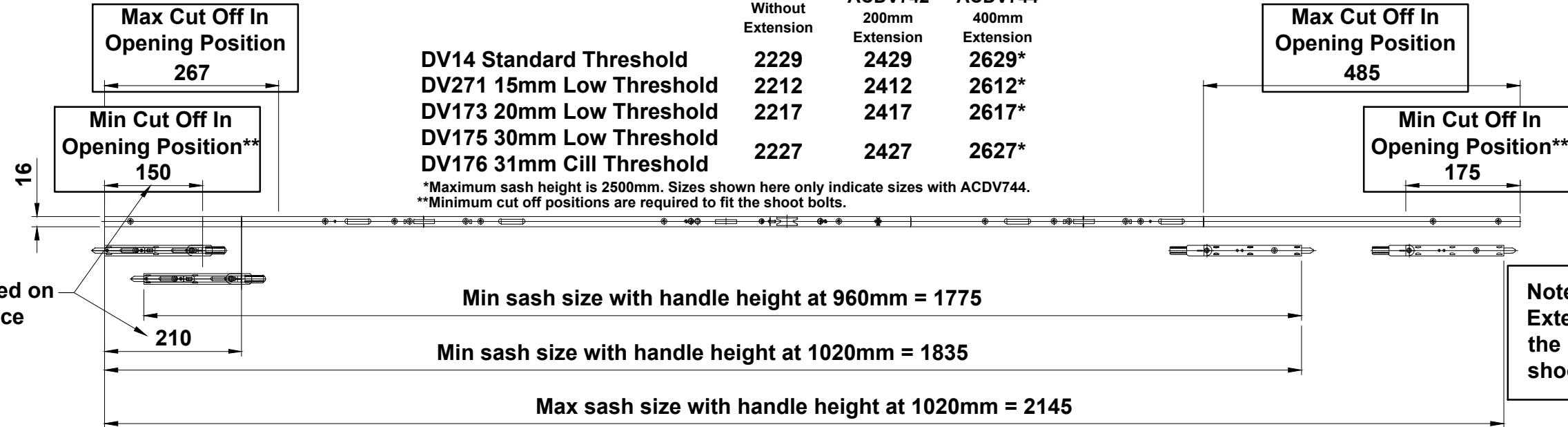
Note:
Use Manual For Primary Door Lock Preparation Details

When using ACDV737/738 shootbolts an additional 2 x fixing plates per shootbolt are required to secure in place.

Maximum overall door height (mm) including outer frame:

	Without Extension	ACDV742 200mm Extension	ACDV744 400mm Extension
DV14 Standard Threshold	2229	2429	2629*
DV271 15mm Low Threshold	2212	2412	2612*
DV173 20mm Low Threshold	2217	2417	2617*
DV175 30mm Low Threshold	2227	2427	2627*
DV176 31mm Cill Threshold	2227	2427	2627*

*Maximum sash height is 2500mm. Sizes shown here only indicate sizes with ACDV744.
**Minimum cut off positions are required to fit the shoot bolts.

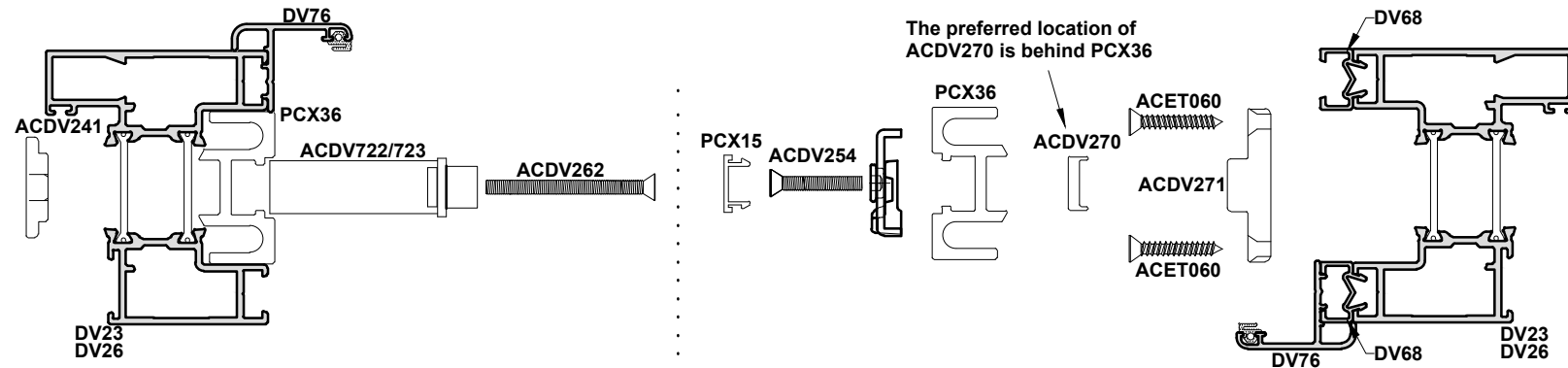


Note:
Extensions are fitted between the lock and ACDV738 shoot bolt.

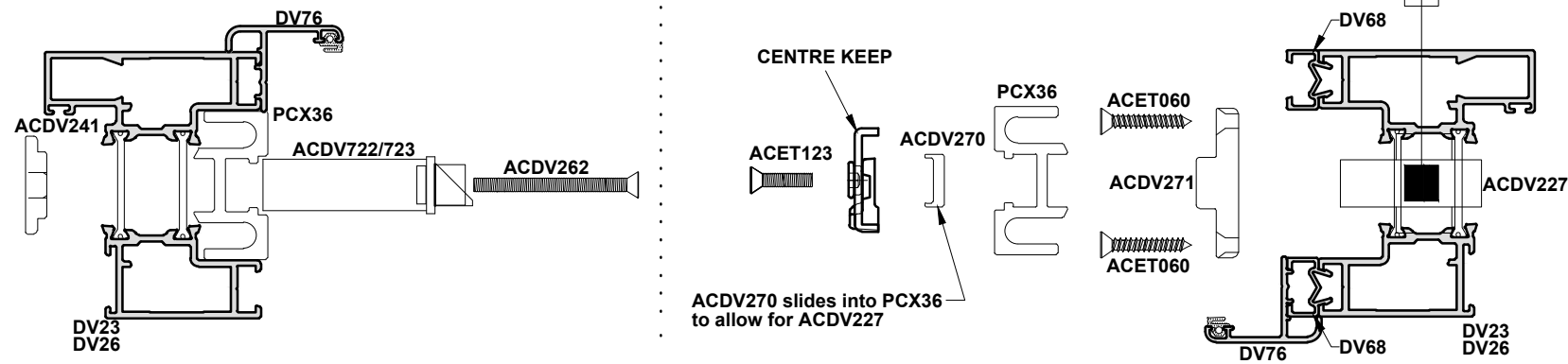
Do Not Scale From This Drawing

Primary Sash Lock & Secondary Sash Keep Preparation

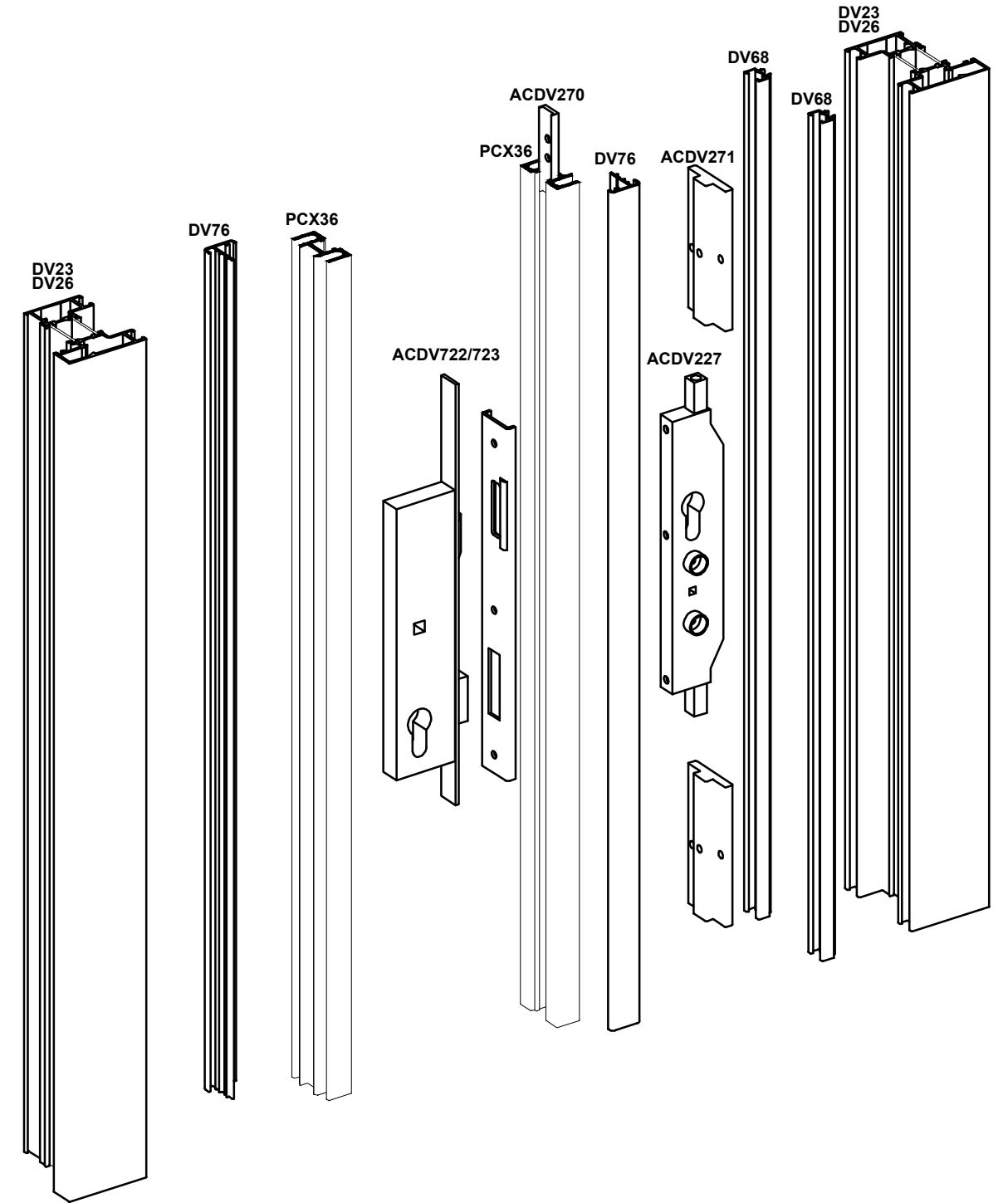
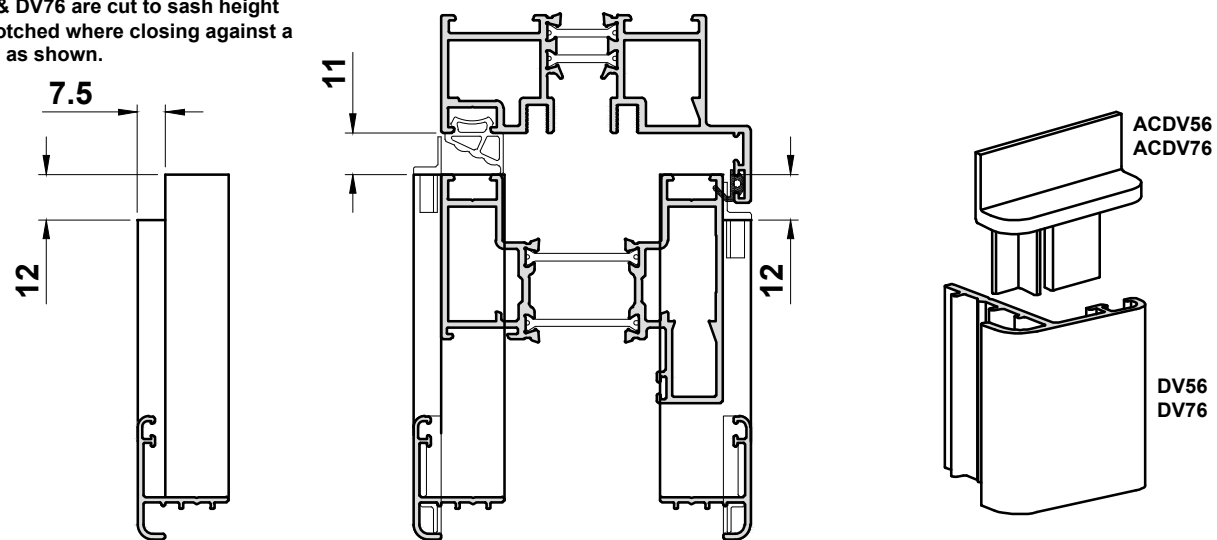
Assembly for Full Height Keep



Assembly where keep is in line with ACDV227

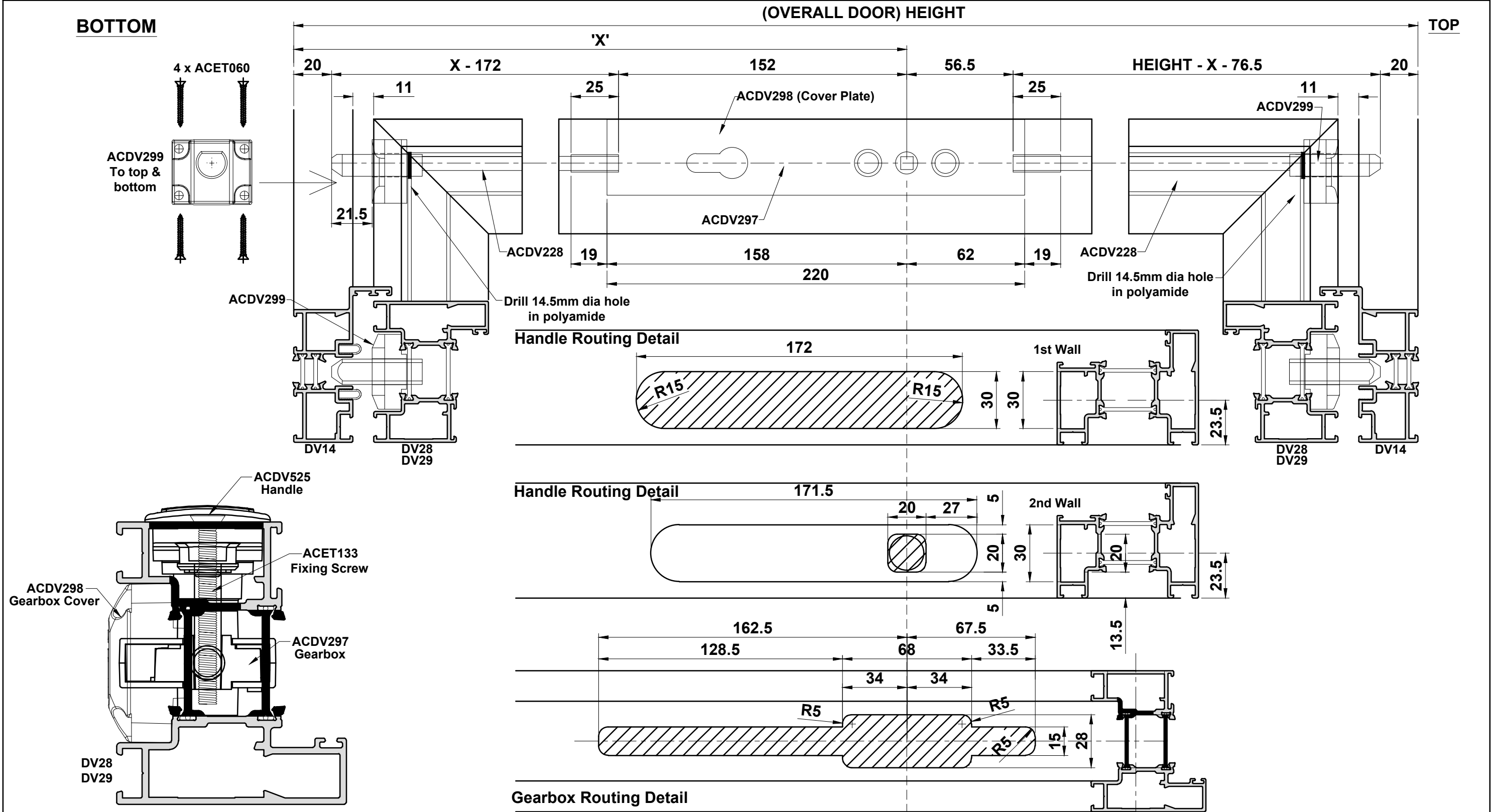


DV56 & DV76 are cut to sash height and notched where closing against a rebate as shown.

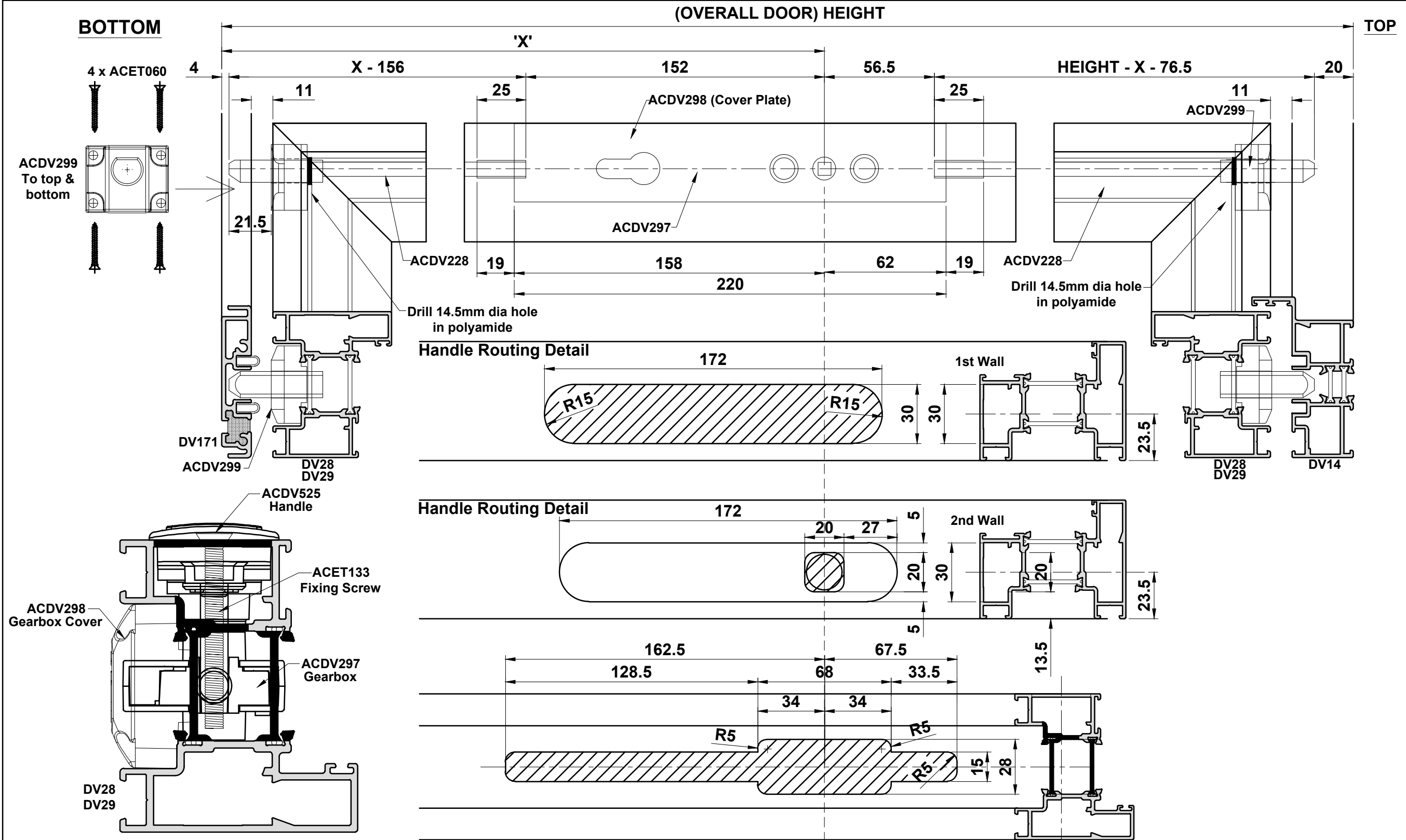


Do Not Scale From This Drawing

ACDV297 Preparation with ACDV524/ACDV525 Handle

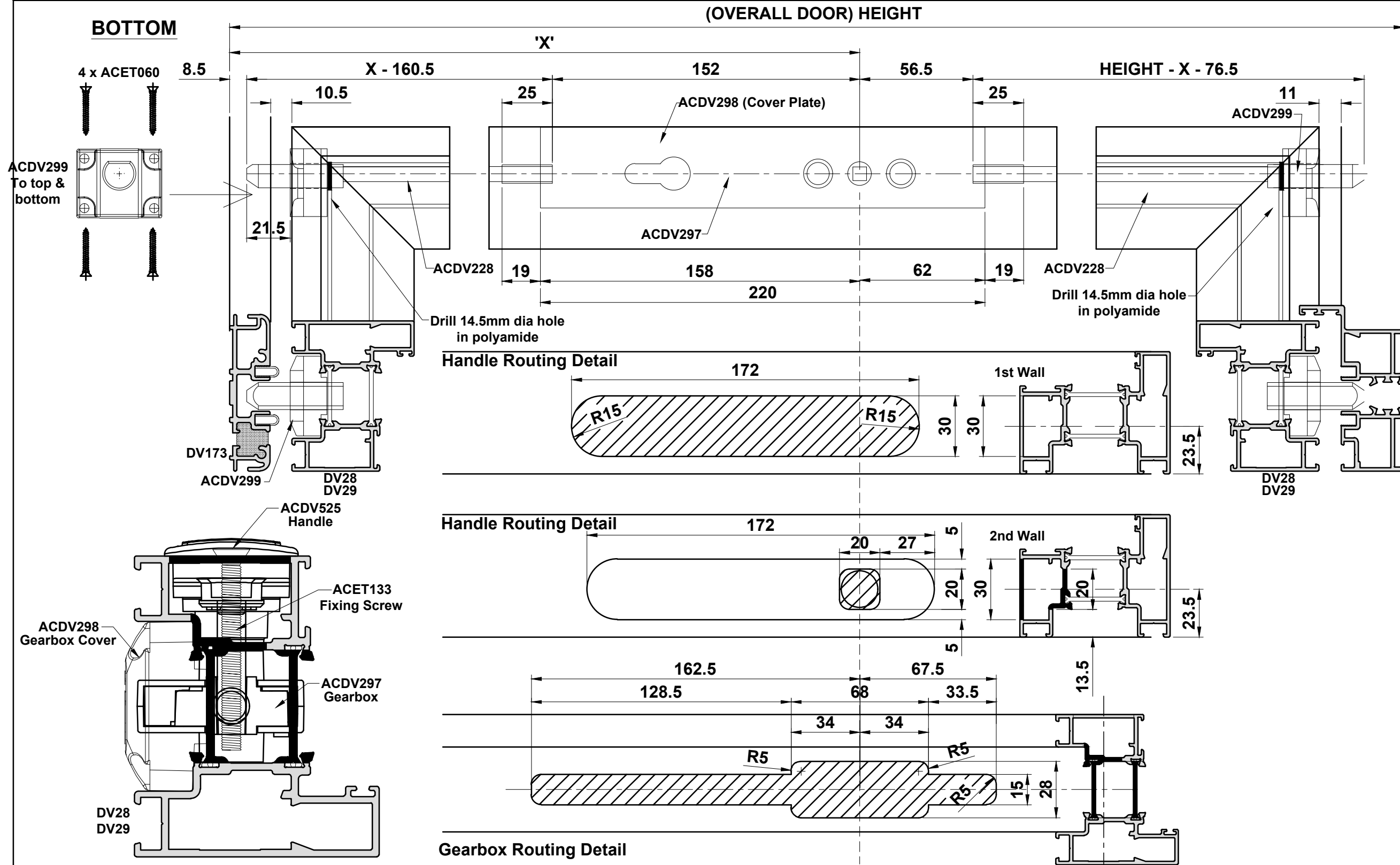


ACDV297 Preparation with ACDV524/ACDV525 Handle with DV171 Threshold



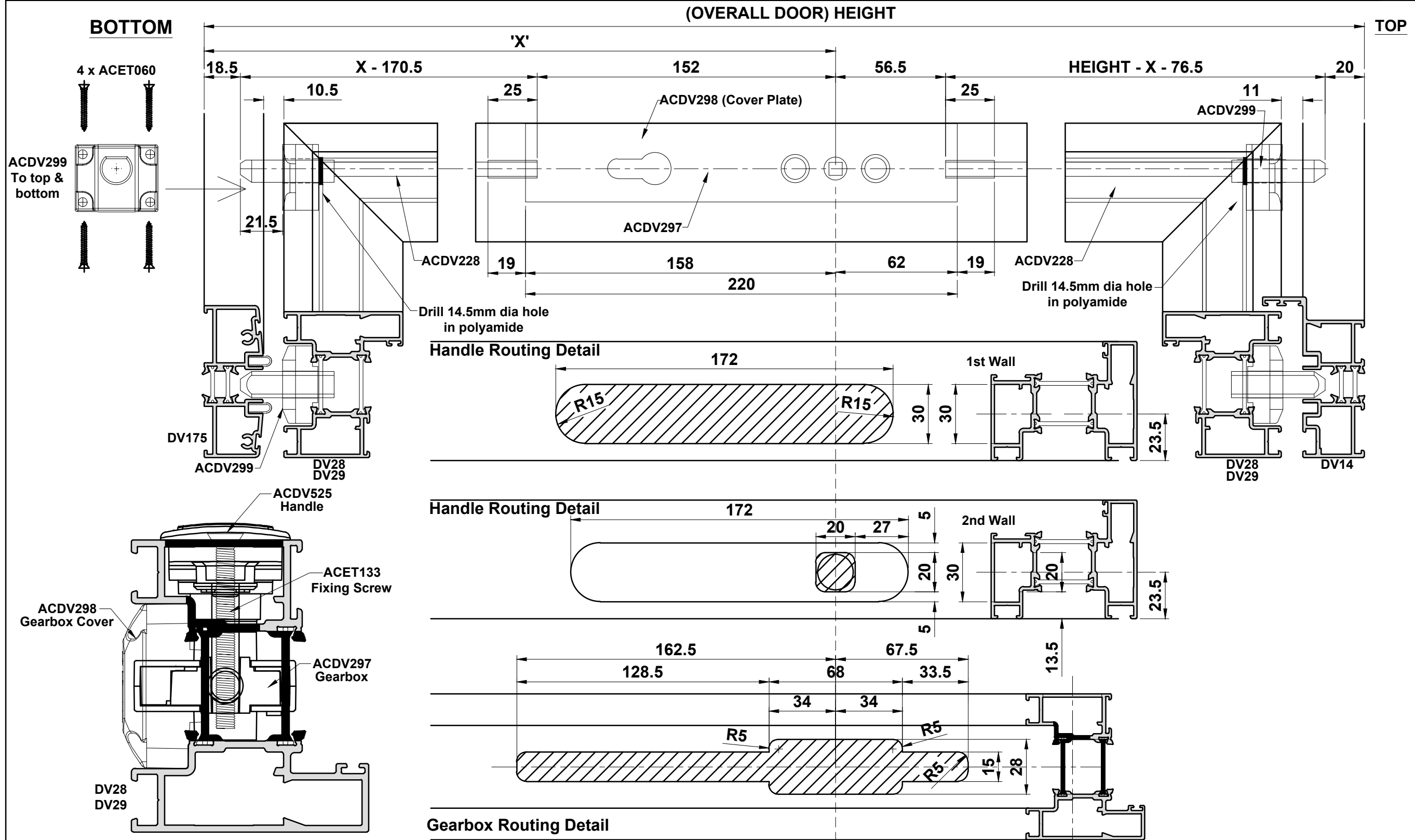
Do Not Scale From This Drawing

ACDV297 Preparation with ACDV524/ACDV525 Handle with DV173 Threshold



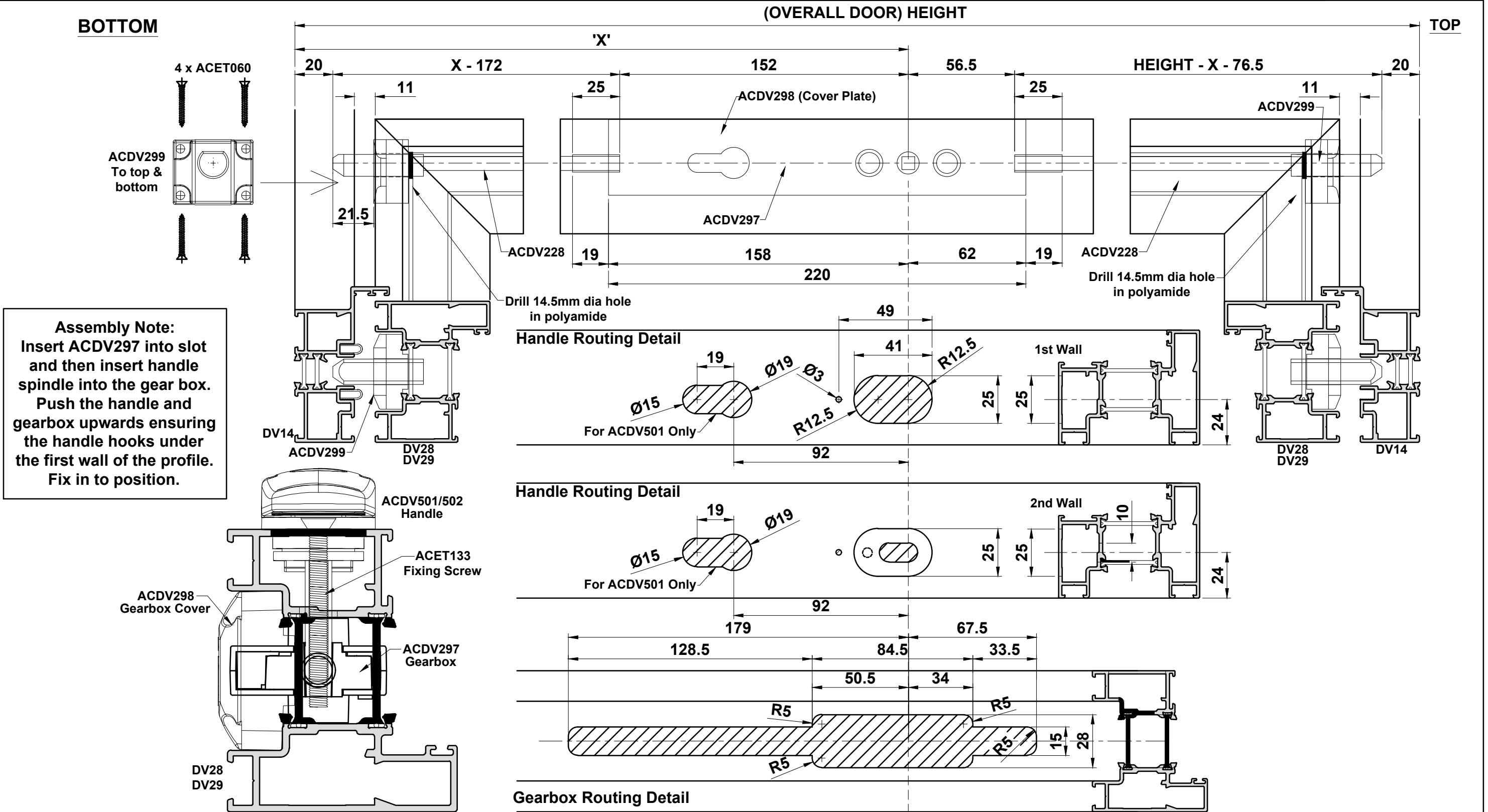
Do Not Scale From This Drawing

ACDV297 Preparation with ACDV524/ACDV525 Handle with DV175 Threshold

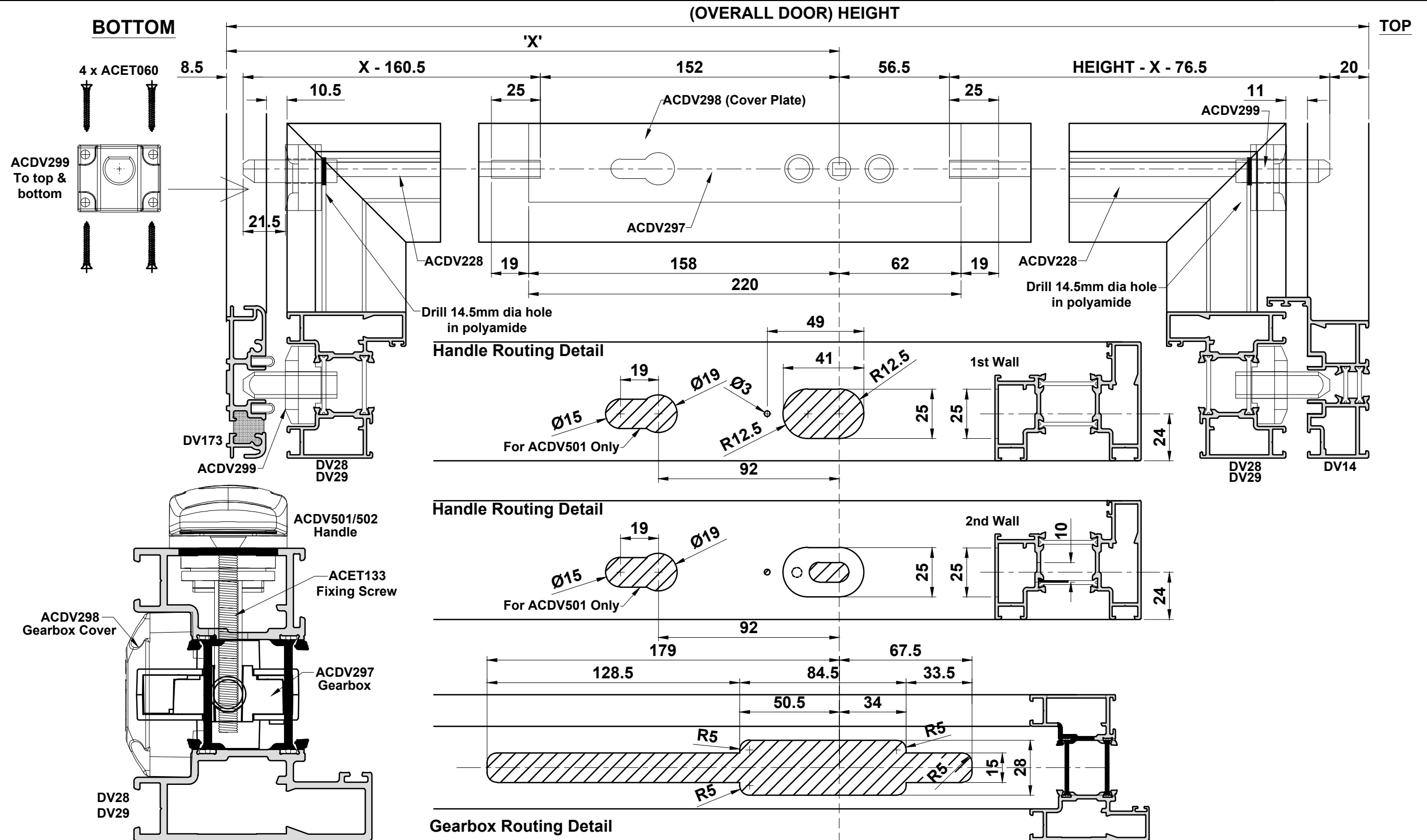


Do Not Scale From This Drawing

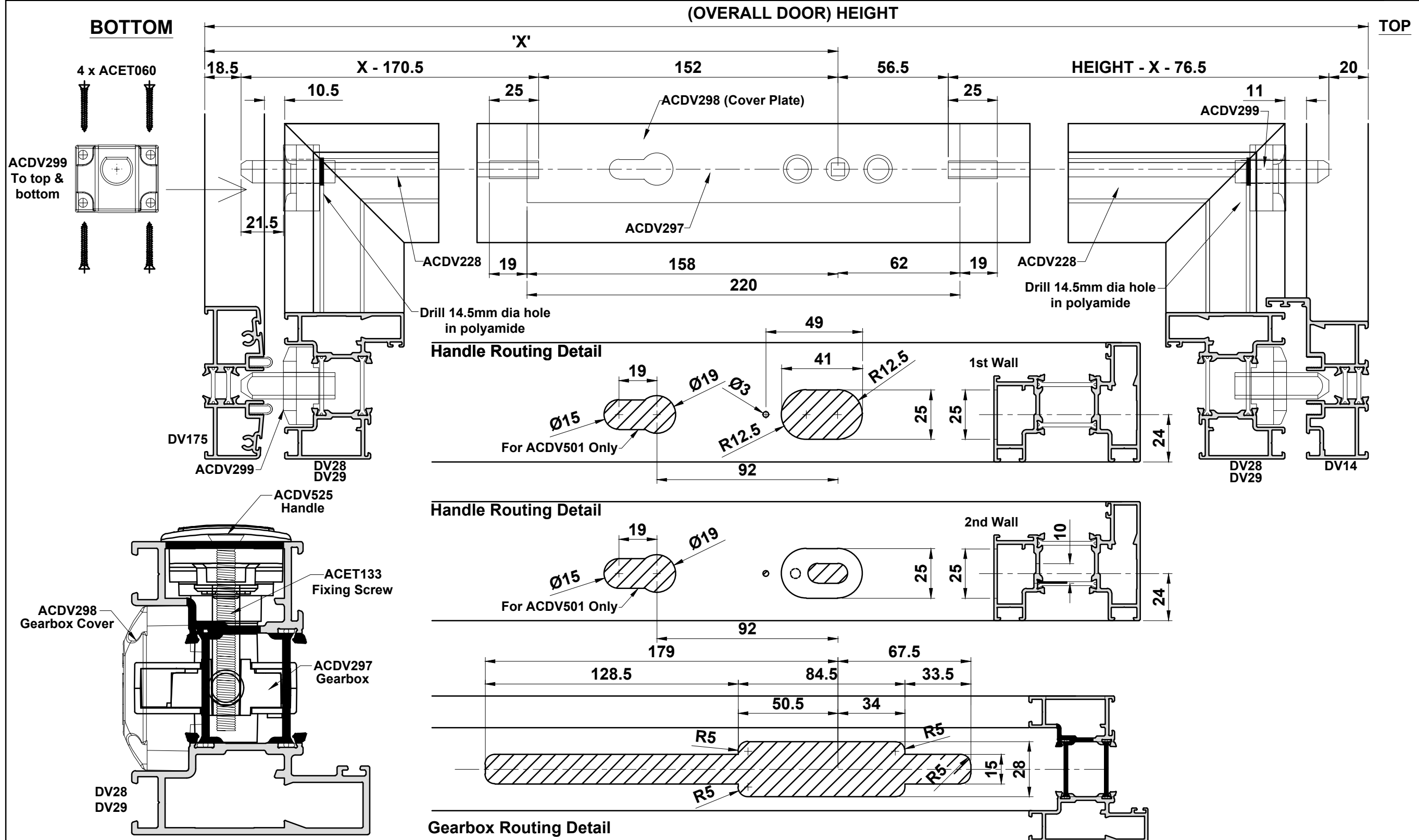
ACDV297 Preparation with ACDV501/ACDV502 Handle



ACDV297 Preparation with ACDV501/ACDV502 Handle with DV173 Threshold



ACDV297 Preparation with ACDV501/ACDV502 Handle with DV175 Threshold

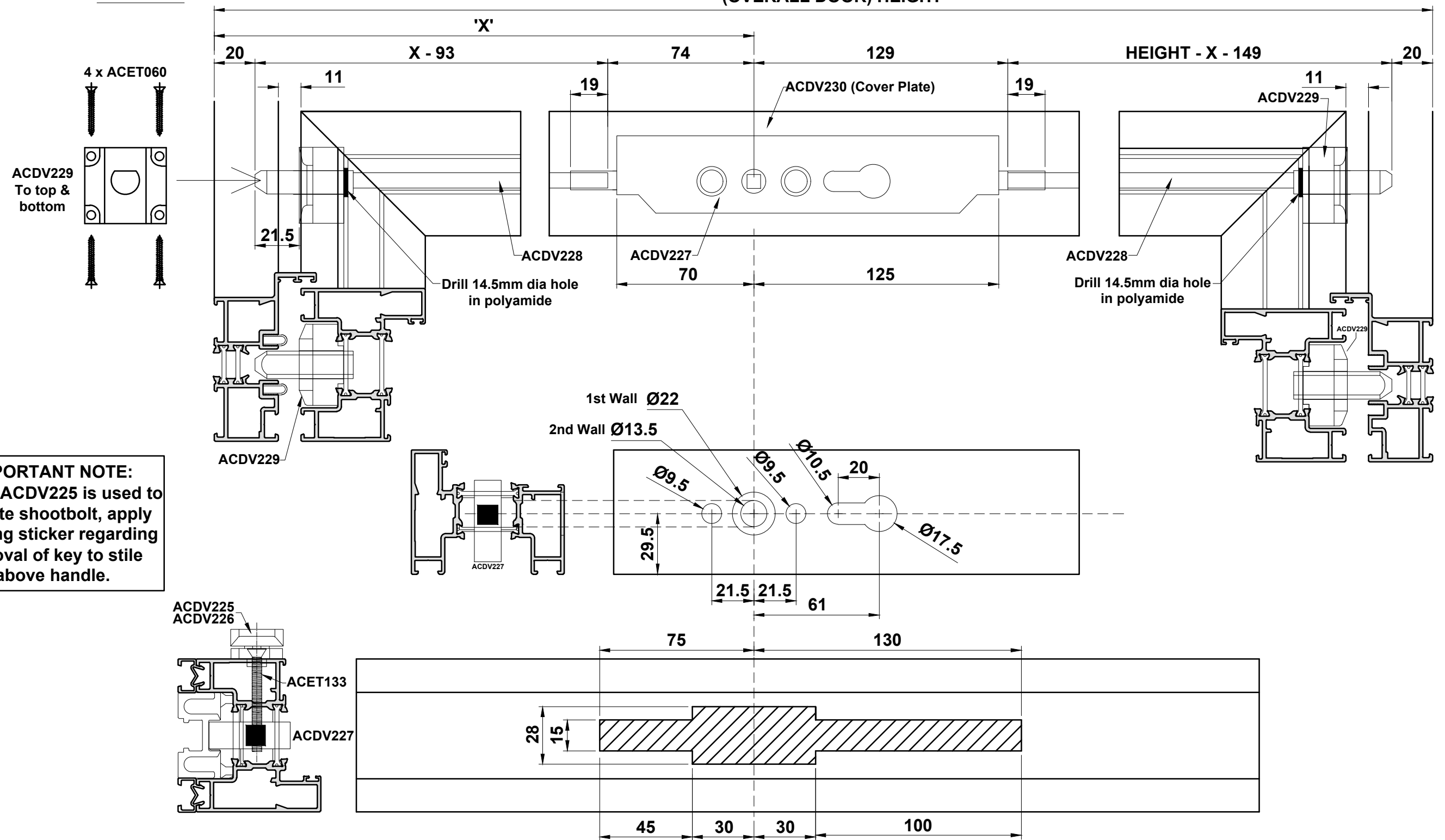


Do Not Scale From This Drawing

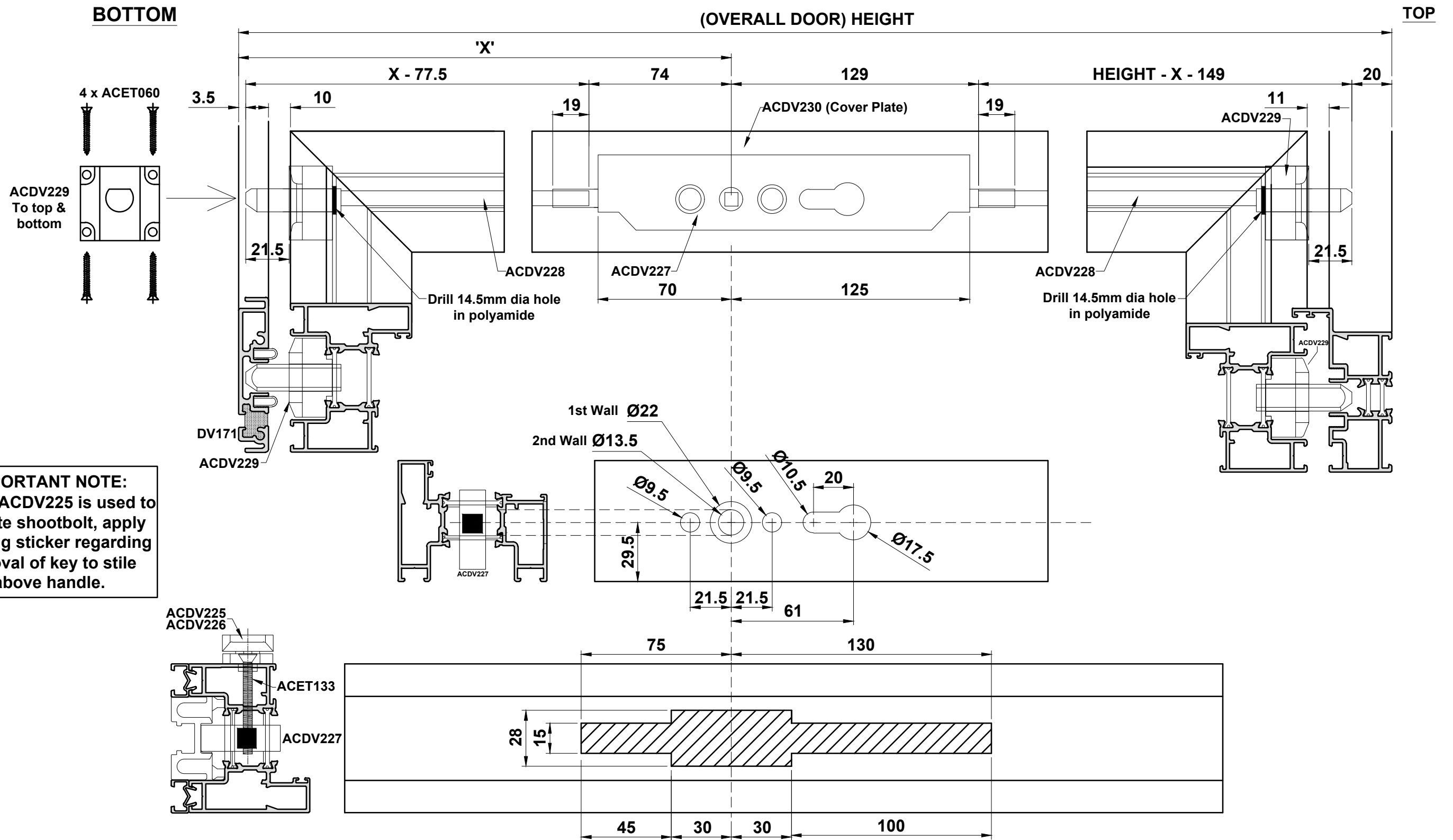
ACDV227 Preparation with ACDV225/ACDV226 Handle

BOTTOM

TOP



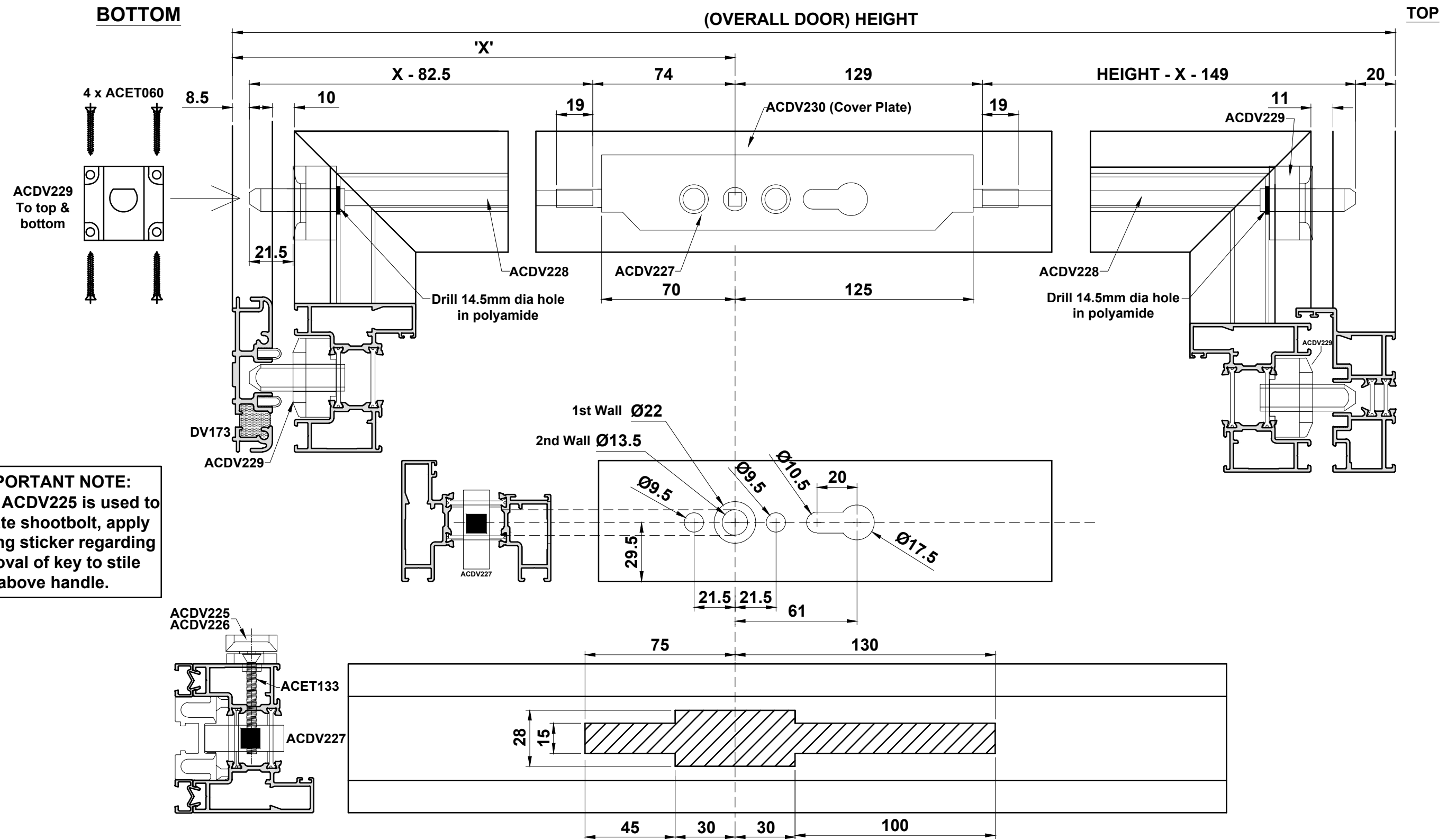
ACDV227 Preparation with ACDV225/ACDV226 Handle using DV171 Threshold



IMPORTANT NOTE:
Where ACDV225 is used to operate shootbolt, apply warning sticker regarding removal of key to stile above handle.

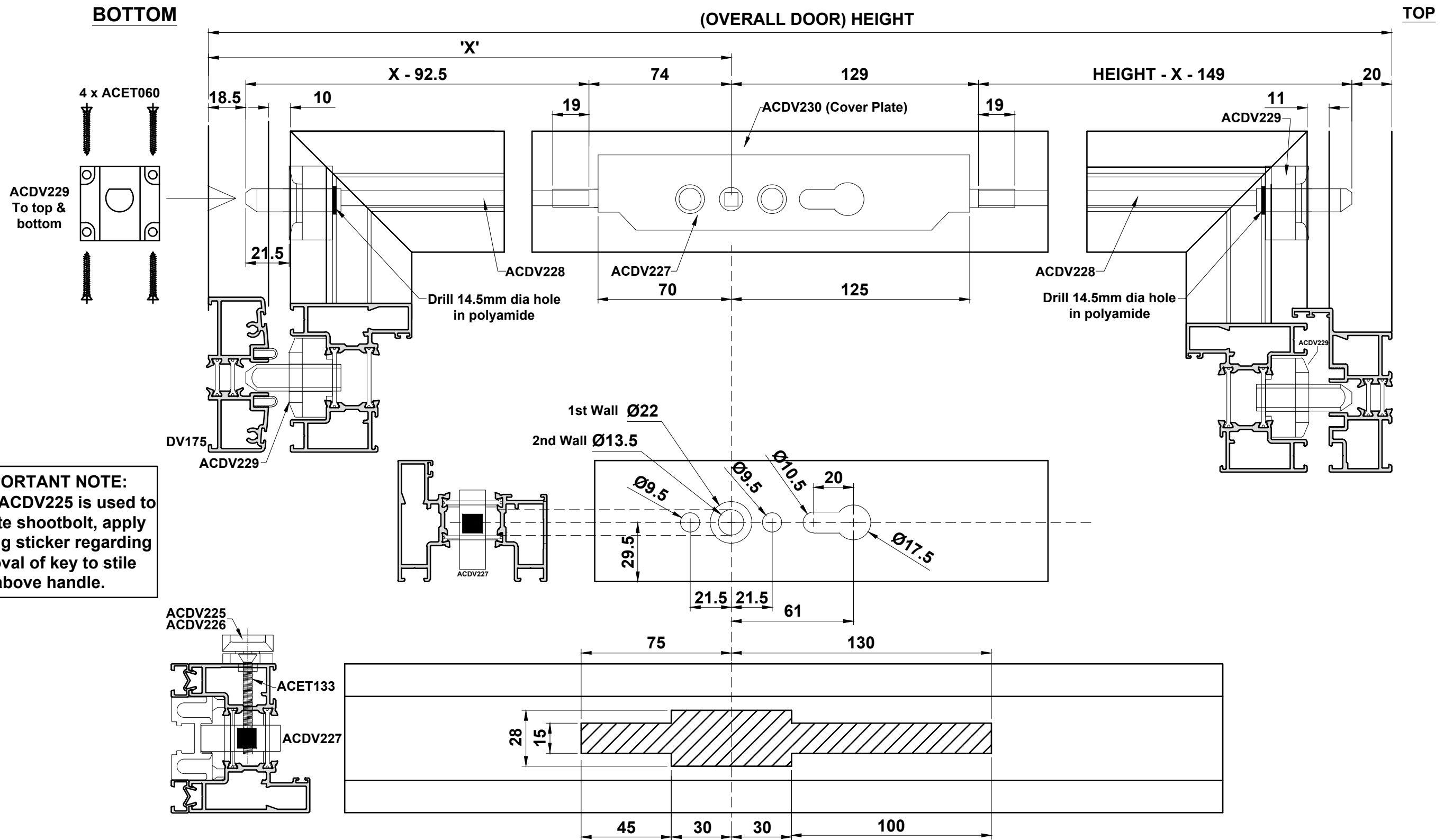
Do Not Scale From This Drawing

ACDV227 Preparation with ACDV225/ACDV226 Handle using DV173 Threshold



IMPORTANT NOTE:
Where ACDV225 is used to operate shootbolt, apply warning sticker regarding removal of key to stile above handle.

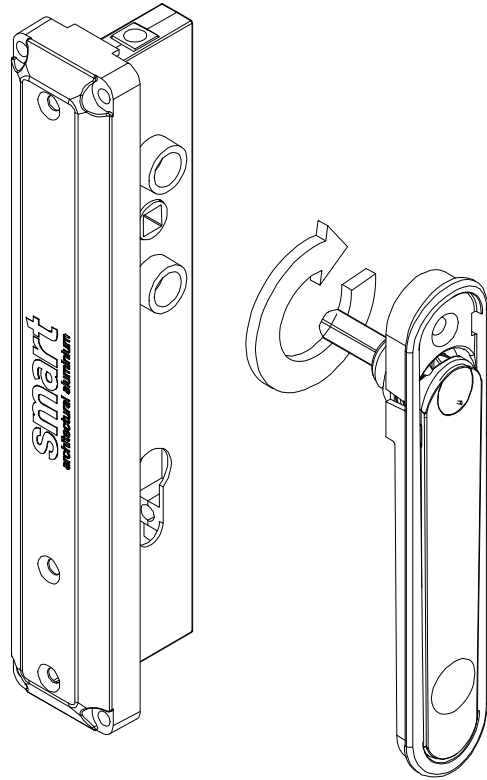
ACDV227 Preparation with ACDV225/ACDV226 Handle using DV175 Threshold



Do Not Scale From This Drawing

Flush Handle Installation

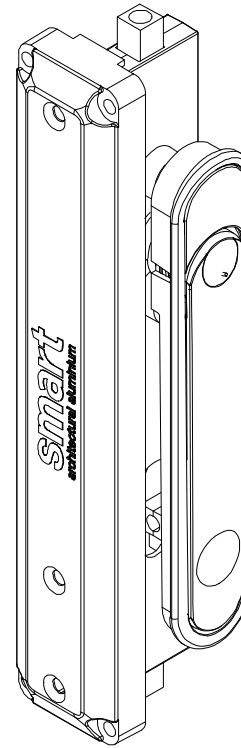
Flush Handle Fitting Instruction ACDV524 & ACDV525



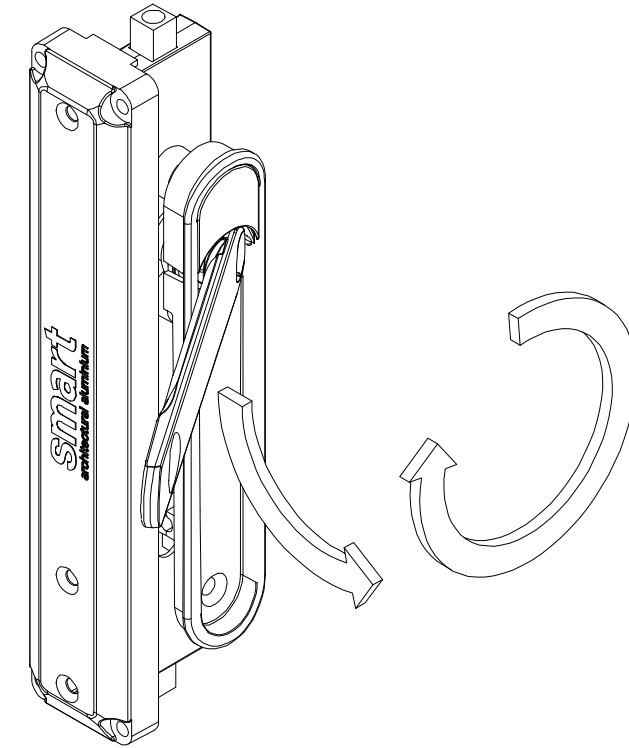
Prior to fitting the handle to the door it is important to orientate the square spindle of the handle for it to work correctly. First make sure the shootbolts are in the retracted position.

If the gearbox cover is on the left as you view the door from the inside with the handle facing you, fully rotate the square spindle clockwise.

If the gearbox cover is on the right as you view the door with the handle facing you fully rotate the square spindle anti-clockwise.



Fit the handle along with the appropriate fixings and screw cover.



To operate the handle for the first time;

If the gearbox cover is on the left as you view the door.

Push the nose of the handle inwards to reveal the handle, lift the handle and rotate 360° clockwise and place the handle back into its baseplate. This will throw the shootbolts into the locked position. To retract reverse the operation.

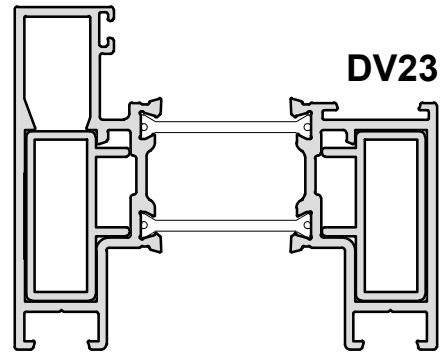
If the gearbox cover is on the right as you view the door.

Push the nose of the handle inwards to reveal the handle, lift the handle and rotate 360° anti-clockwise and place the handle back into its baseplate. This will throw the shootbolts into the locked position. To retract reverse the operation.

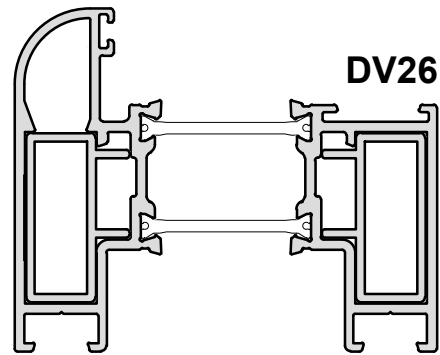
Do Not Scale From This Drawing

DV50 Sash Reinforcement

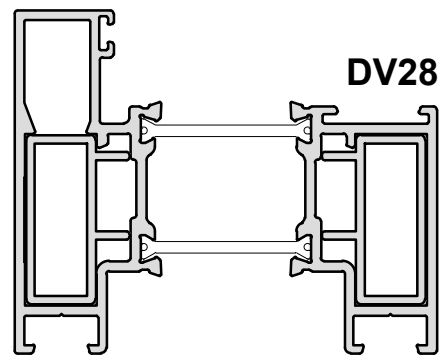
DV50 Applications



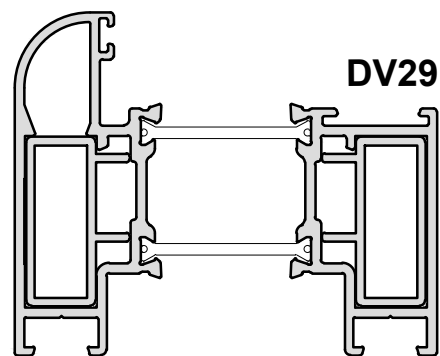
DV23



DV26

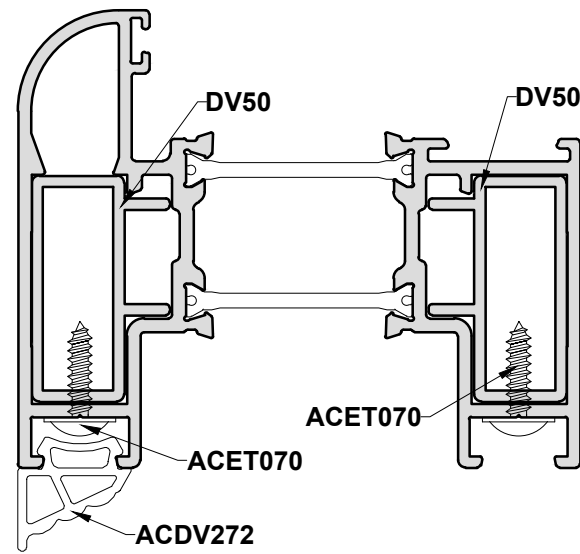


DV28

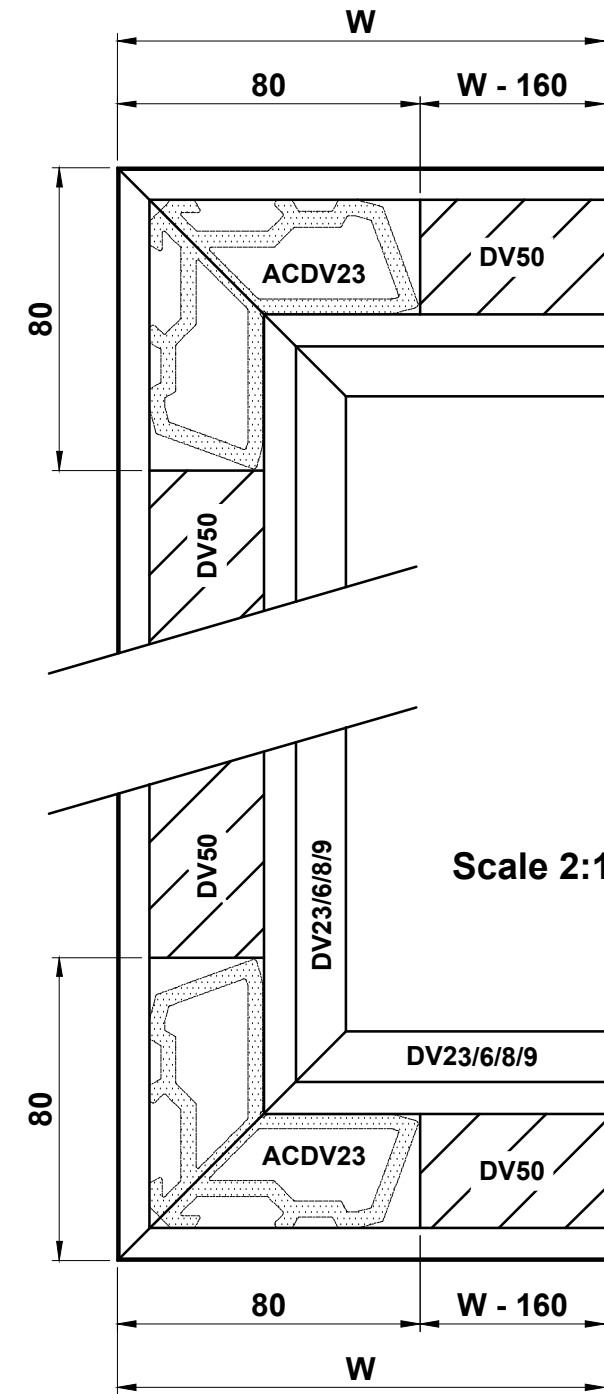


DV29

ACET070 Fixed 100mm from each end & at 500mm centres



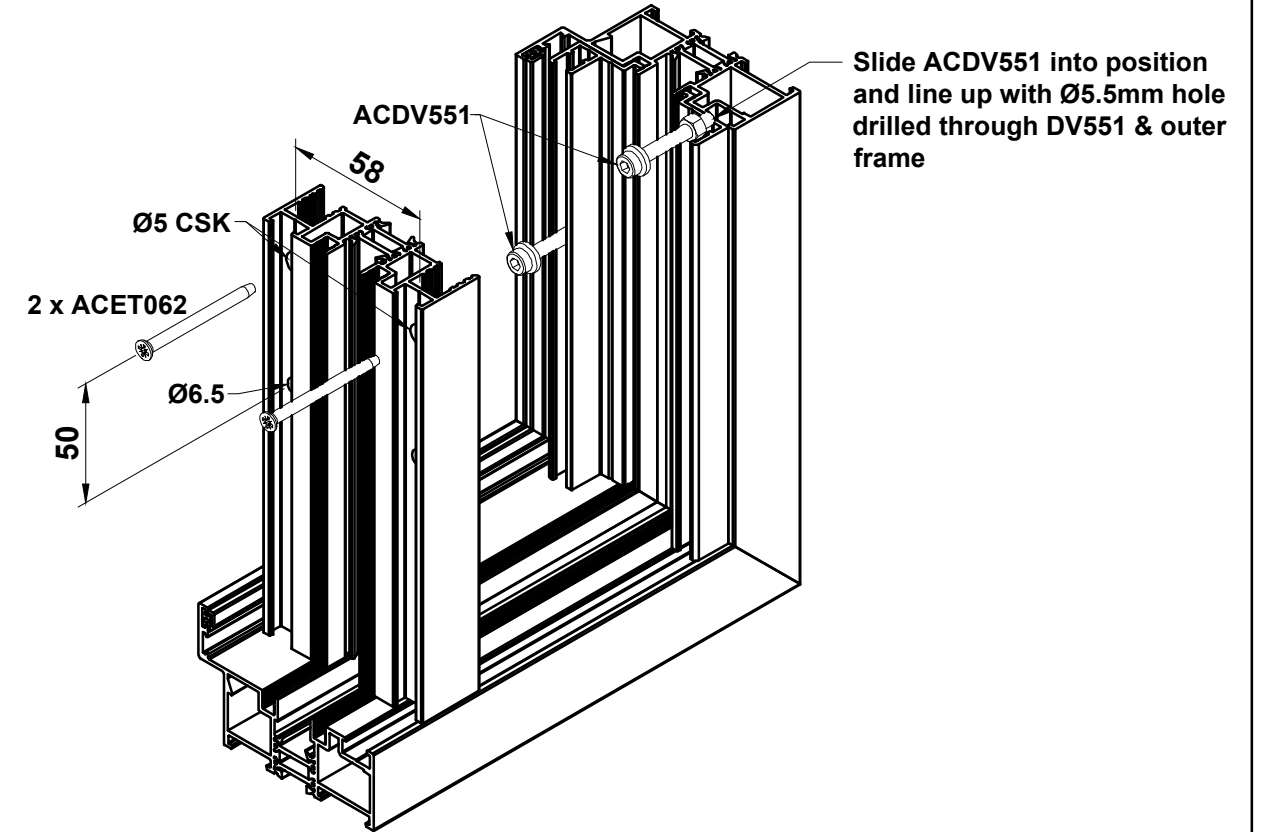
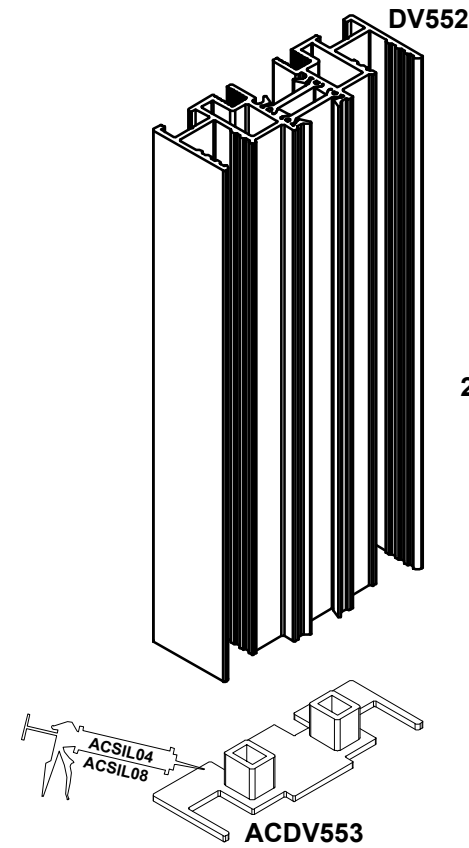
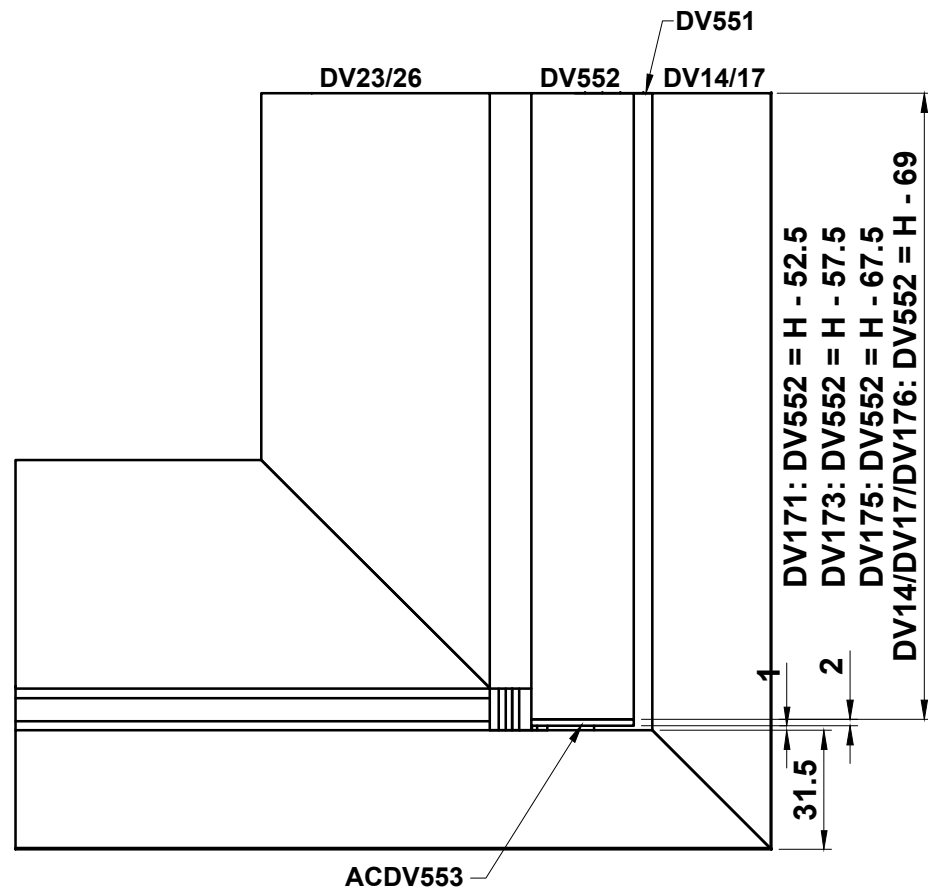
For Sash Ix and Iy values which include DV50, please refer to Section D.



DV50 Length = (Height or Width) - 160mm

Do Not Scale From This Drawing

Adjustable Jamb

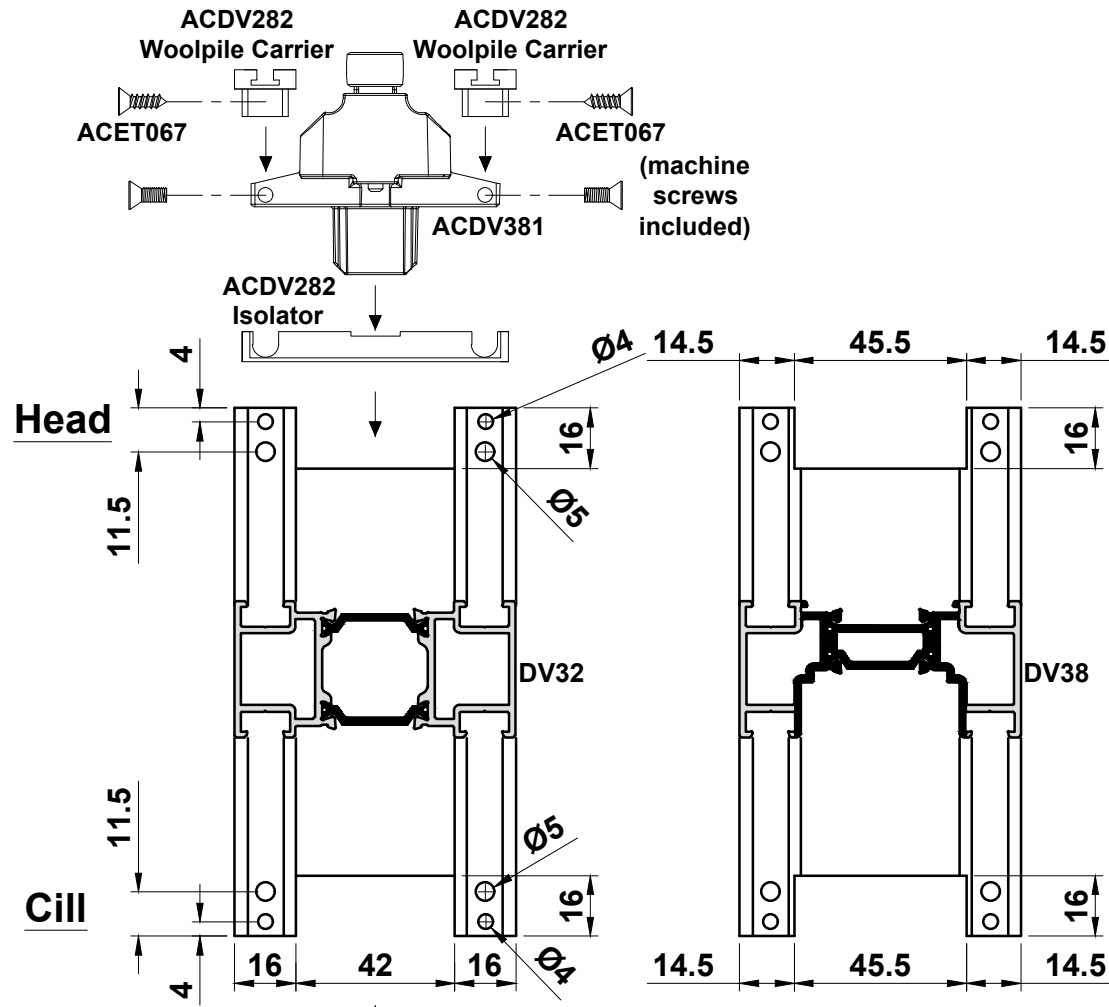


Assembly Steps:

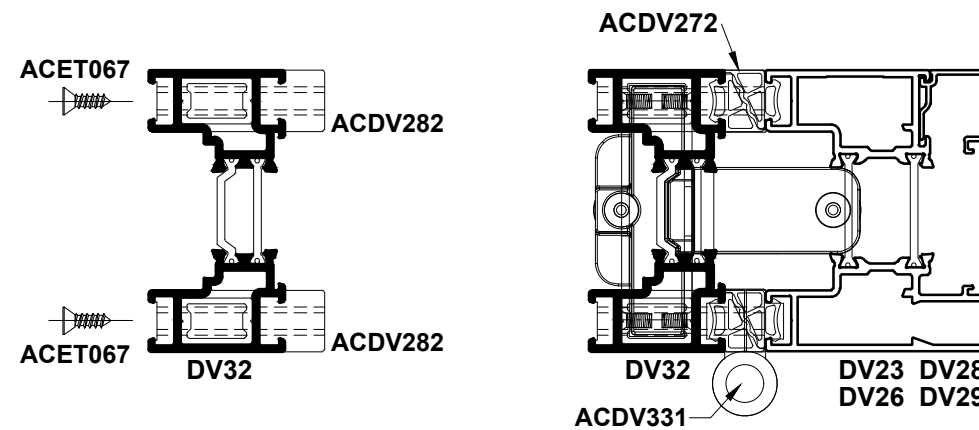
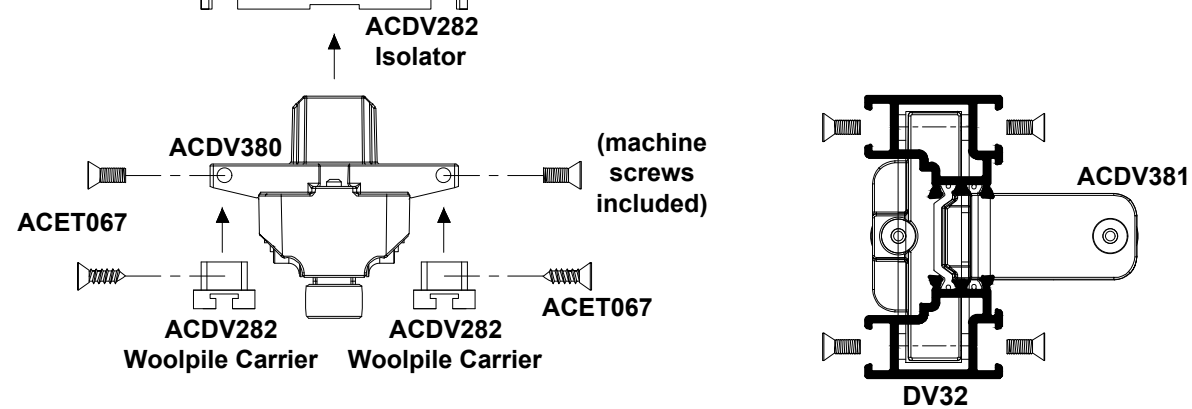
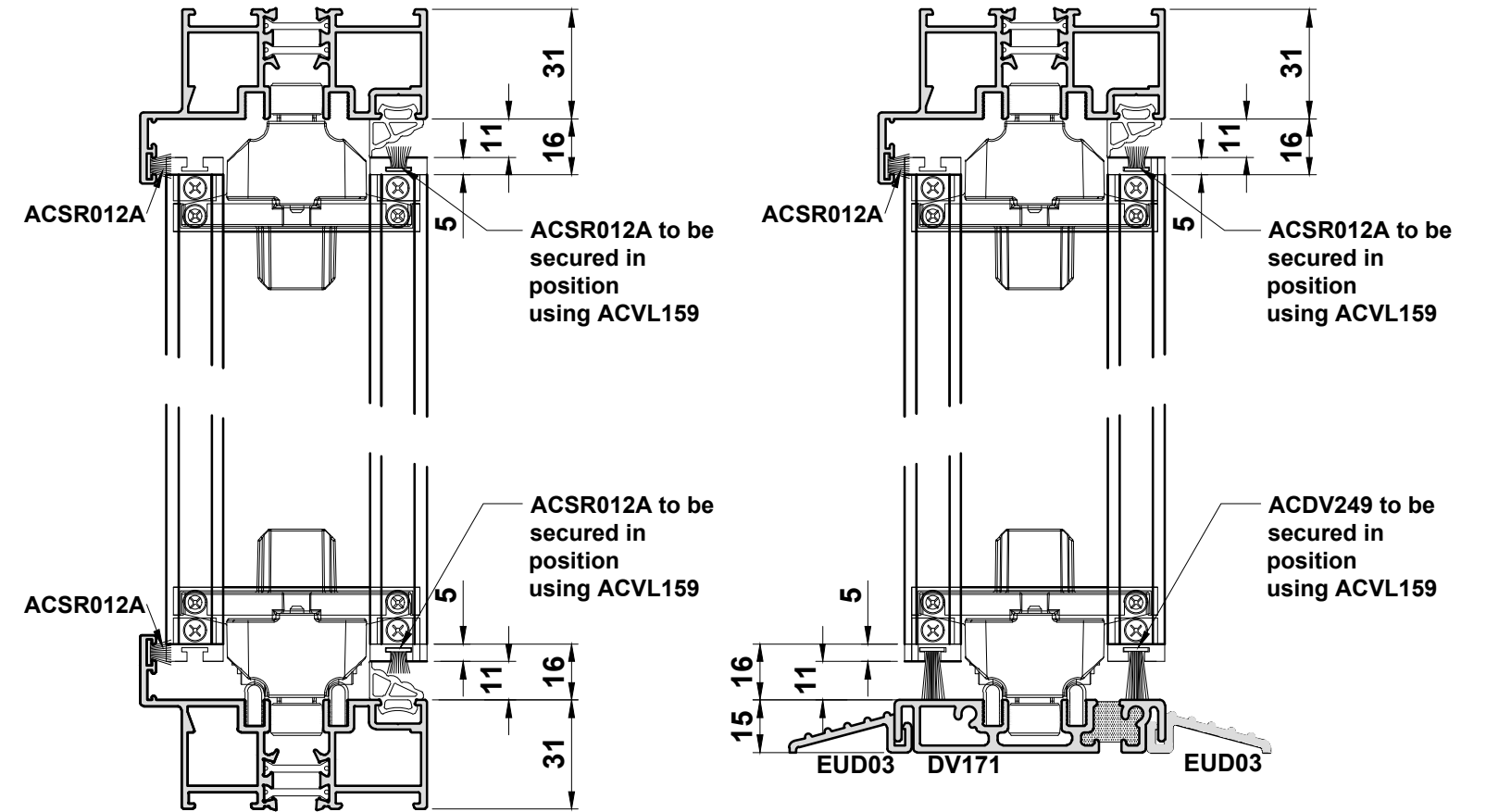
- 1, Fix both DV551's to jamb using ACET099 screws at a max. of 100mm from each end and 500mm centres
- 2, Mark & drill DV551 & DV552 for the ACDV551 fixings allowing: 1 x 50mm above the bottom hinge, 1 x 50mm below the top hinge and at a maximum of 500mm centres, taking care to avoid drilling in the same position as the intermediate hinges
- 3, Mark, drill and countersink DV551 & DV552 50mm above or below the ACDV551 fixings for the ACET062 securing screw
- 4, Insert the ACDV551 fixings into DV551 and wind up tight enough to hold the screw heads in a steady position
- 5, Fix hinges in position on DV552 and position on the jamb ensuring the head of the ACDV551 fixings are accessible.

DV32 / DV38 Preparation

Mullion Preparation for Standard & Low Threshold

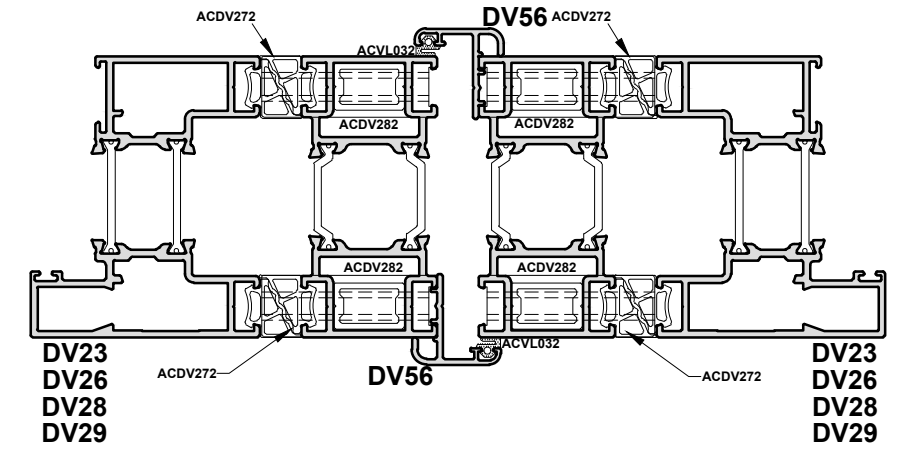
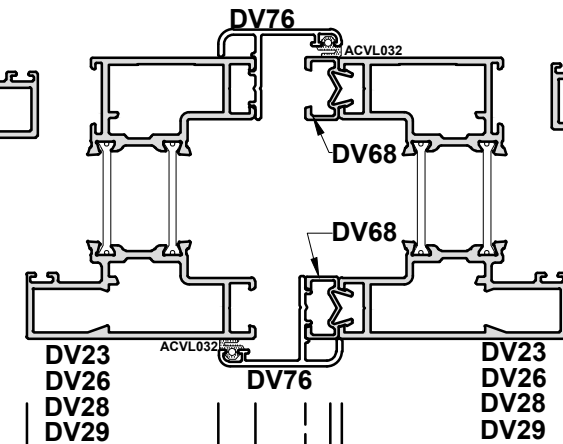
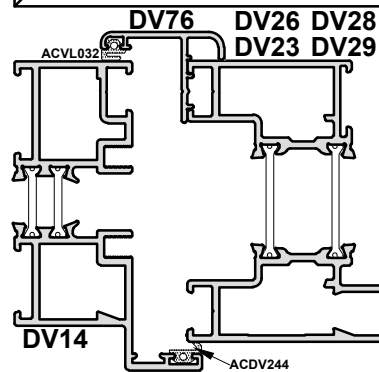
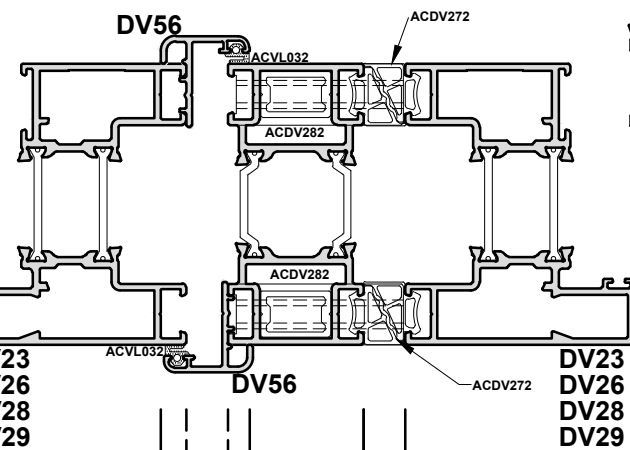
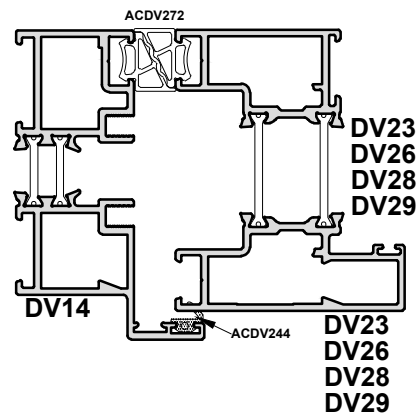
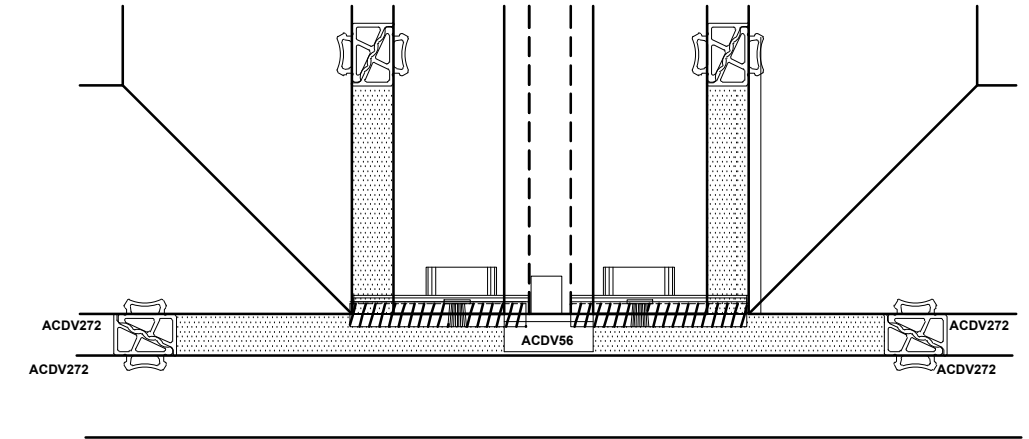
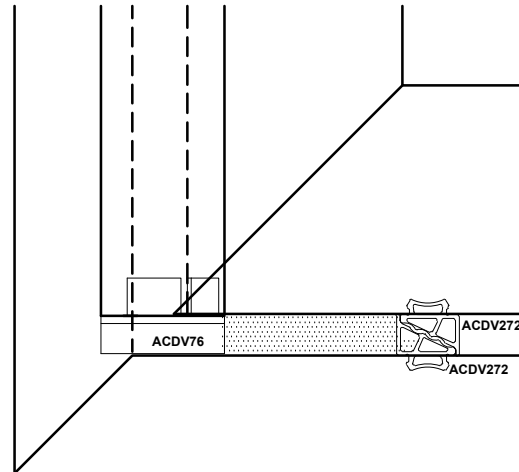
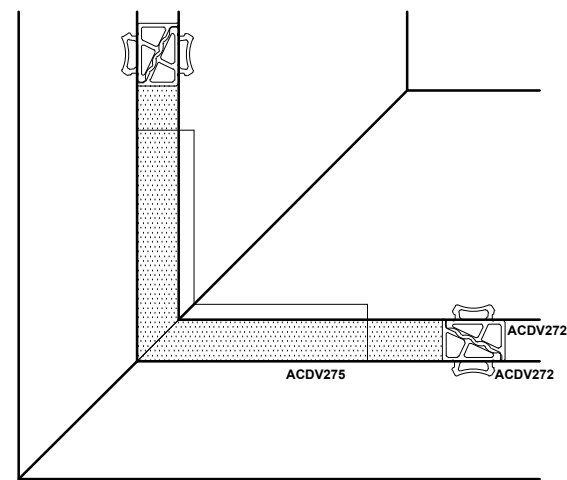




NOTE:
Where DV32 is used, ACSR012A should replace ACDV244

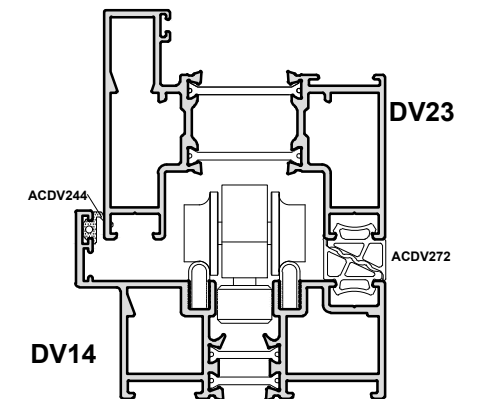
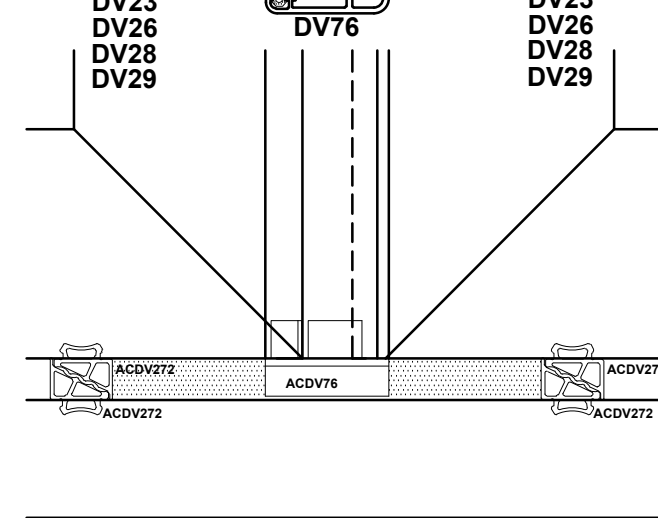
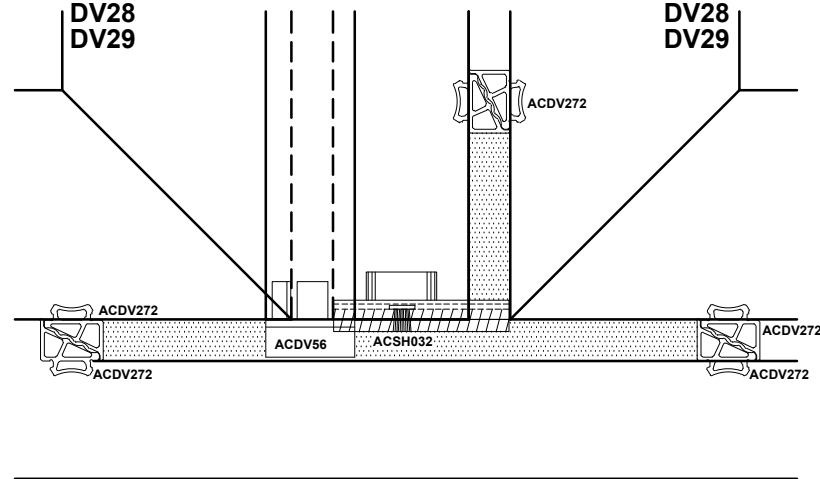


Do Not Scale From This Drawing

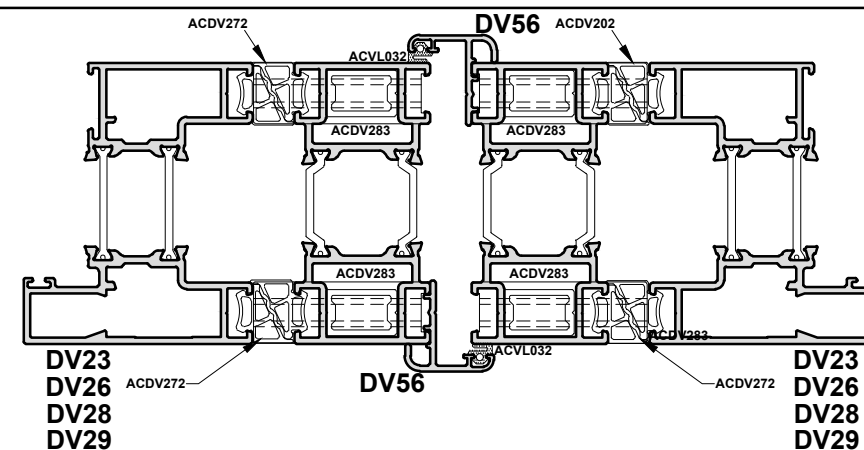
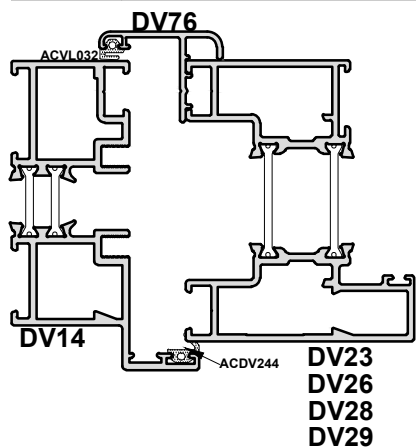
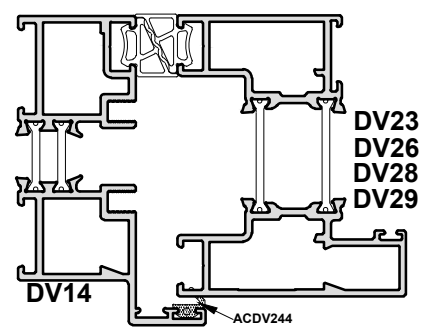
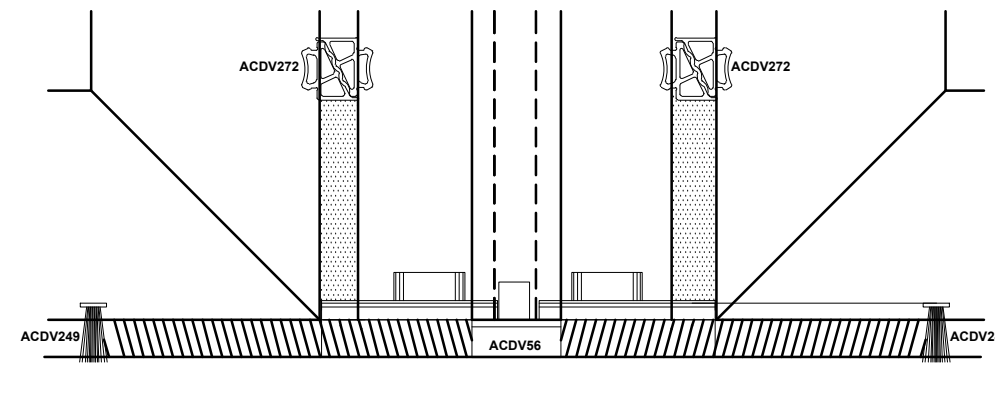
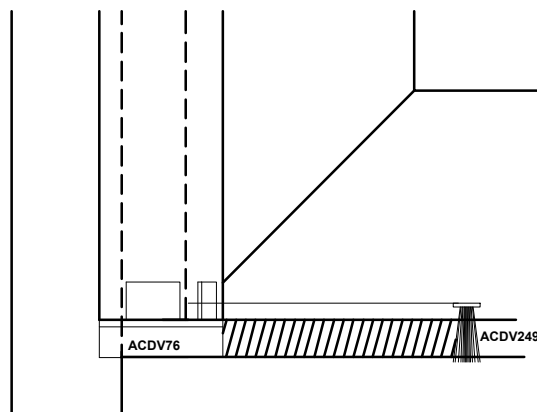
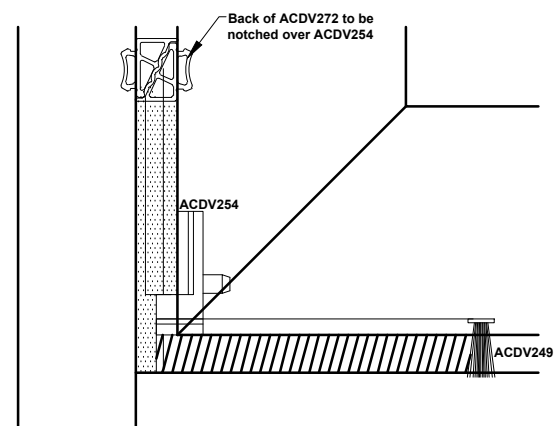
Typical Sealing Details Against DV14



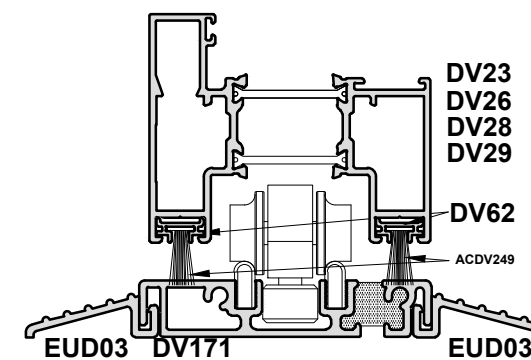
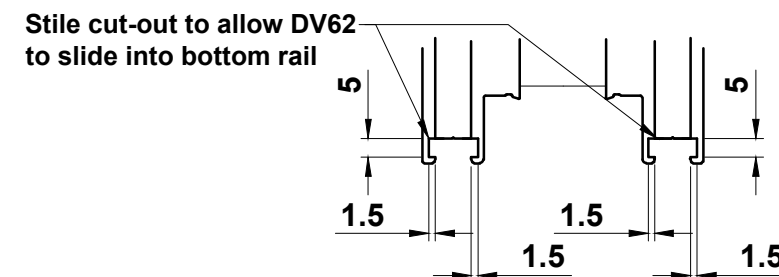
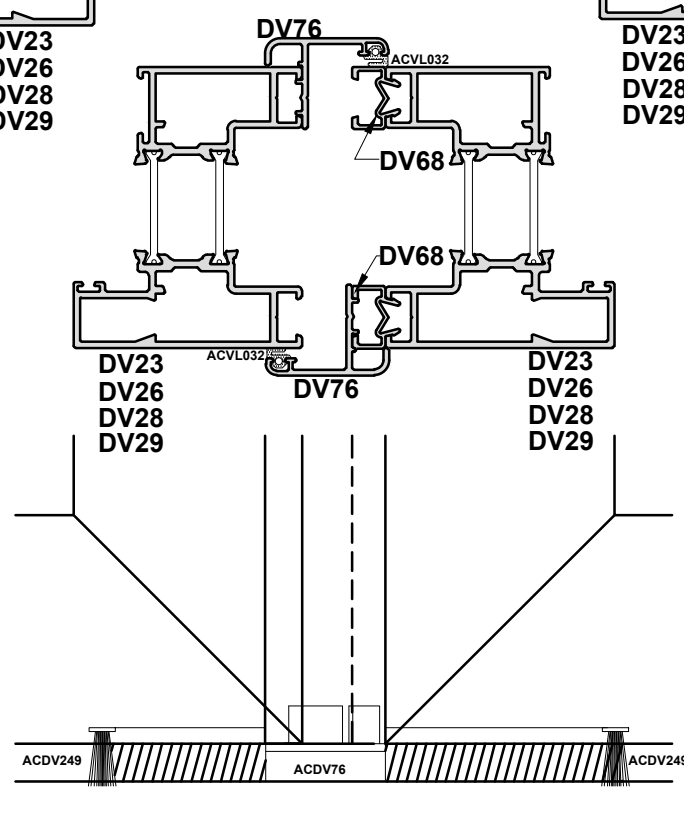
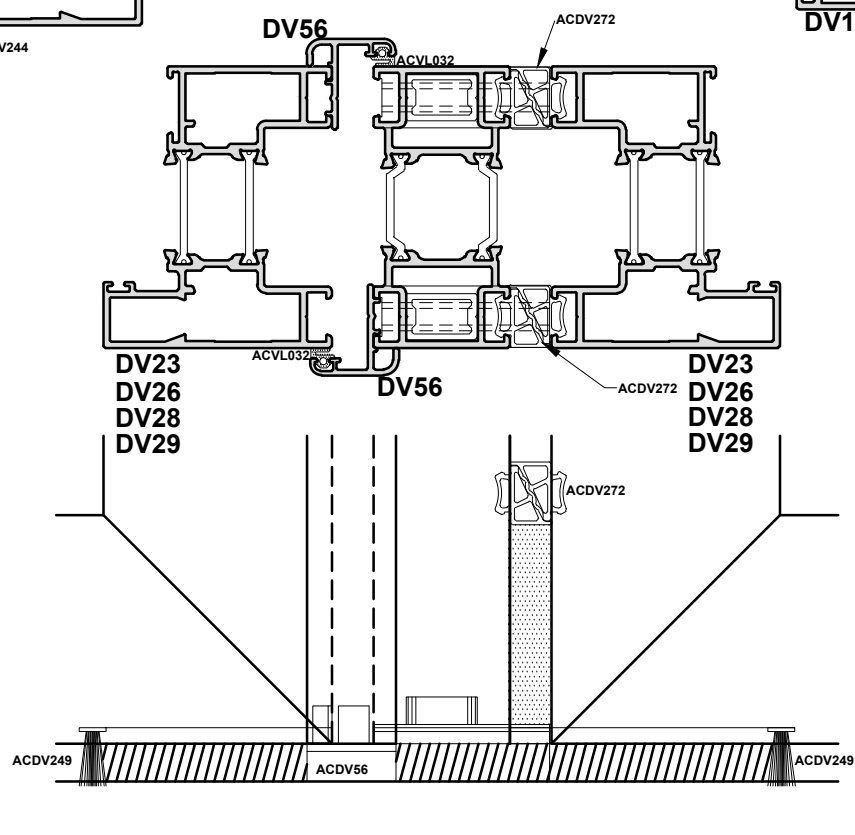
 = Gasket
 = Woolpile



Typical Sealing Details Against DV171/173/175



= Gasket
 = Woolpile

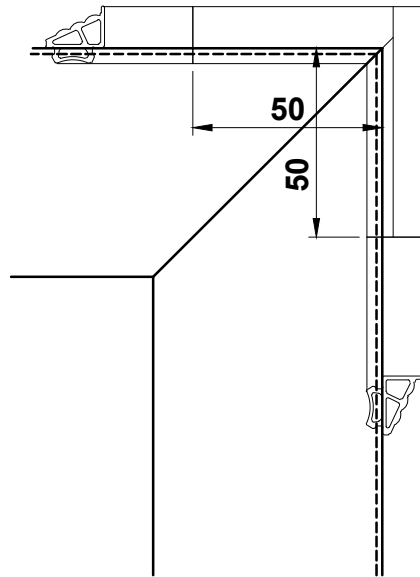


Do Not Scale From This Drawing

Gasket Details

Vent Gasket Detail Where Closing Against DV14

Cut ACDV272 between ACDV275 corner moulds

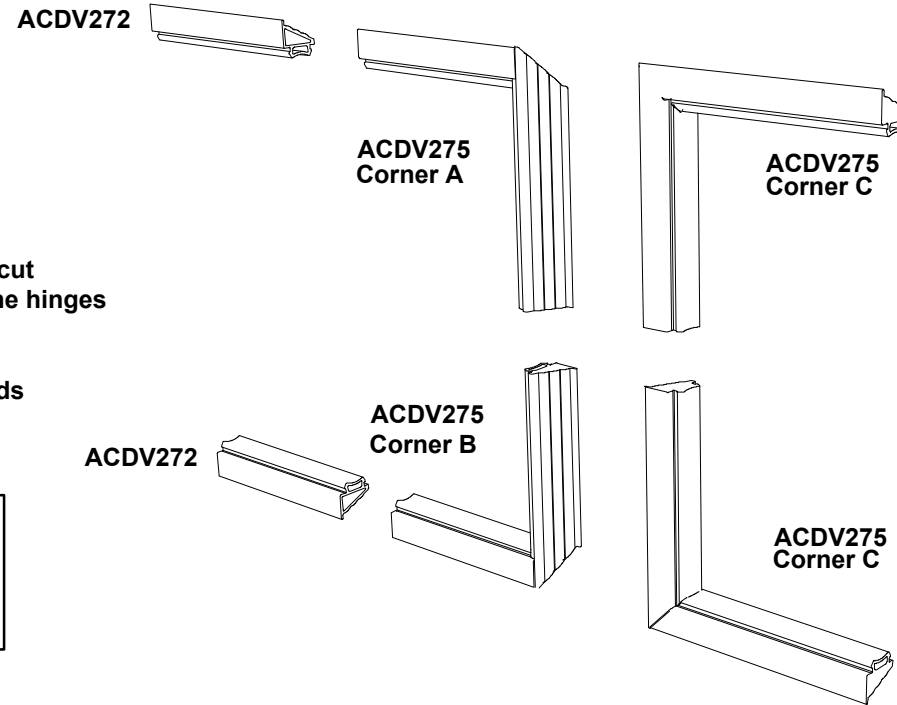


ACDV275
Corner A Shown

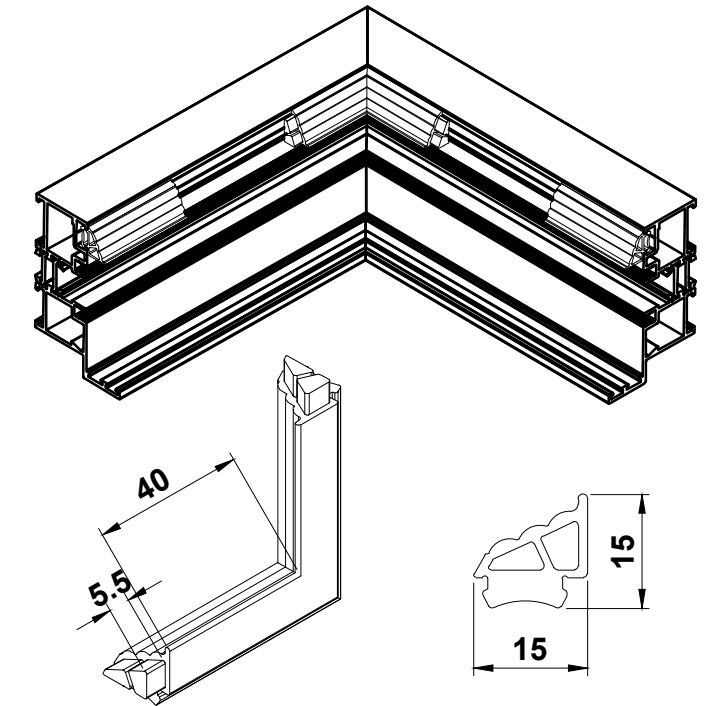
ACDV275 needs to be cut to fit above or below the hinges

Cut ACDV272 between ACDV275 corner moulds

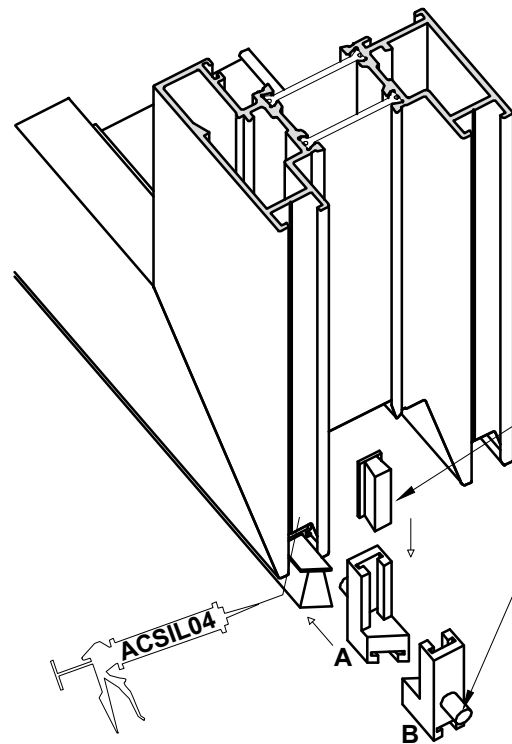
ACDV275:
1 x Corner A
1 x Corner B
2 x Corner C



ACDV375 Corner Gasket

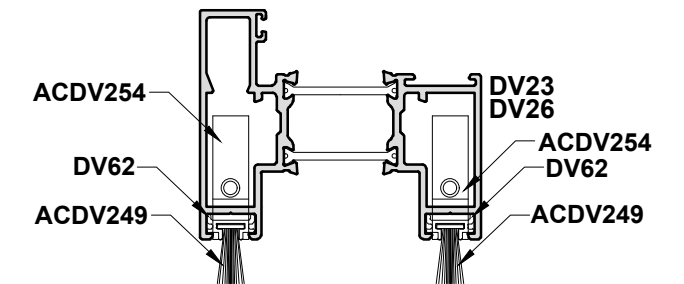
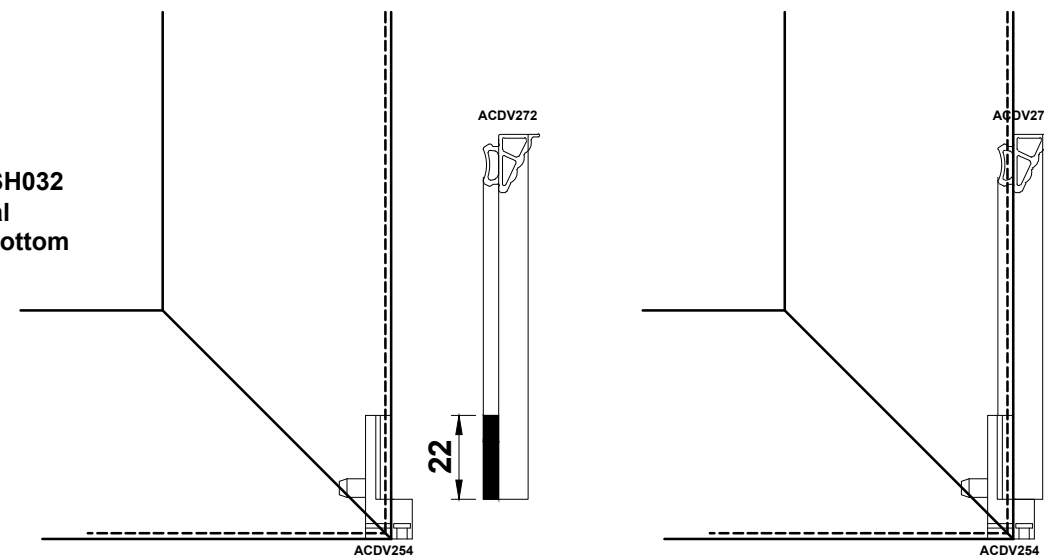


Vent Gasket Detail Where Using ACDV254

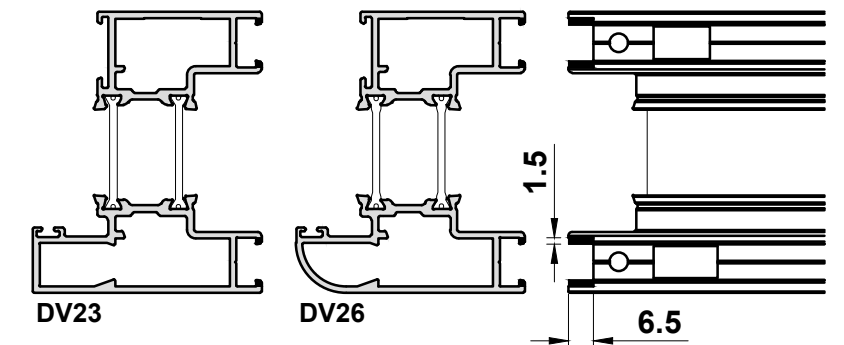


Woolpile ACSH032 is used to seal gap against bottom hinge

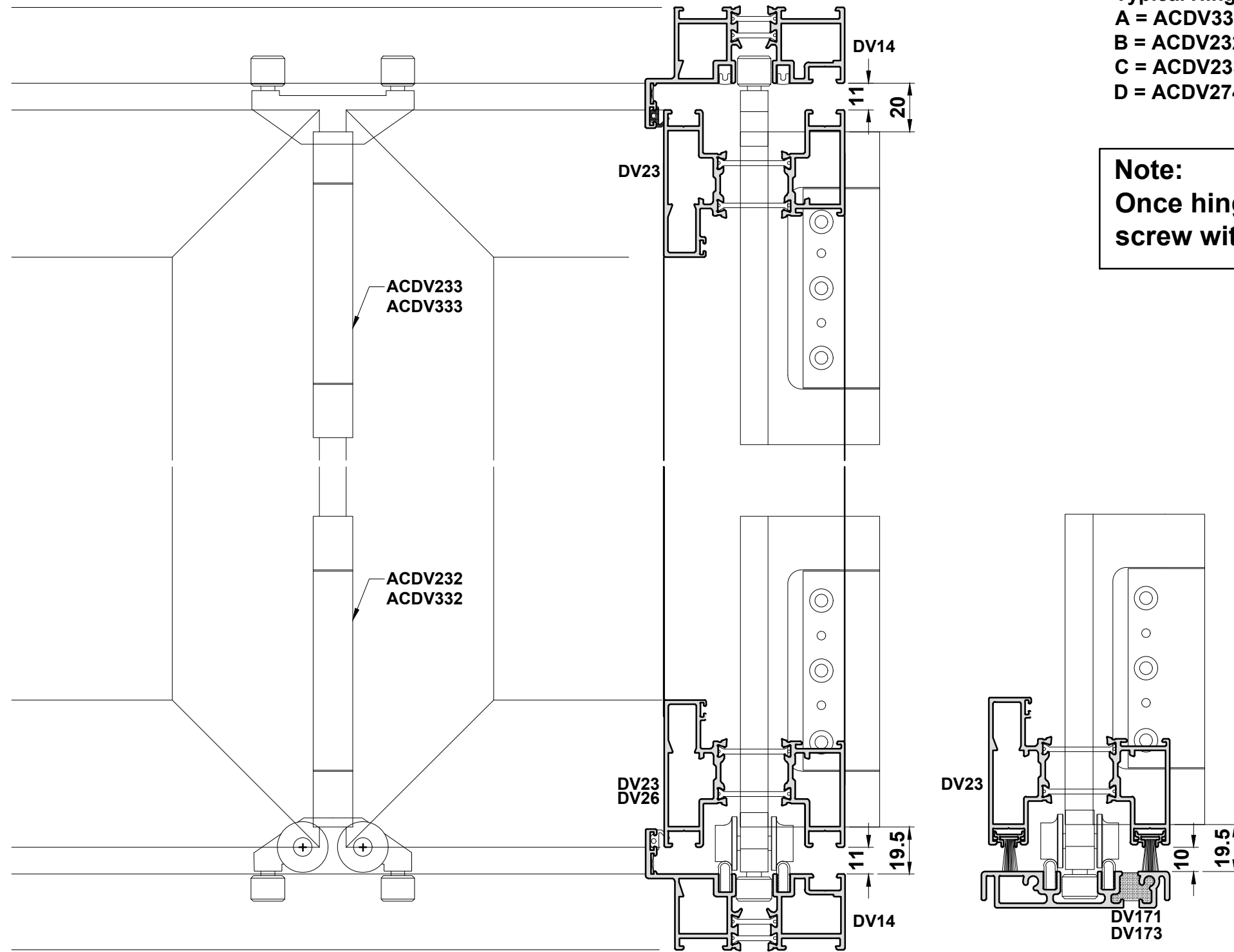
Cylindrical part slots into punched grub screw access for cleat



Preparation for DV62



Hinge Location Details

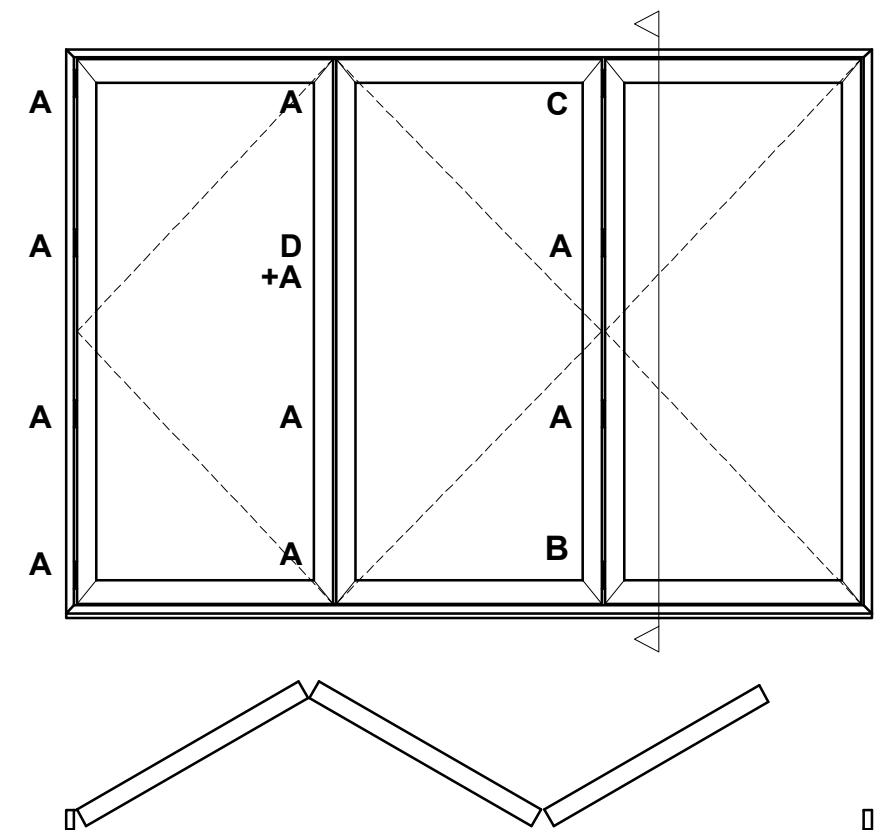


Typical Hinge Layout:

- A = ACDV331 Intermediate Hinge
- B = ACDV232 or ACDV332 Bottom Roller Carrier
- C = ACDV233 or ACDV333 Top Guide Carrier
- D = ACDV274 Internal 'D' Handle Hinge

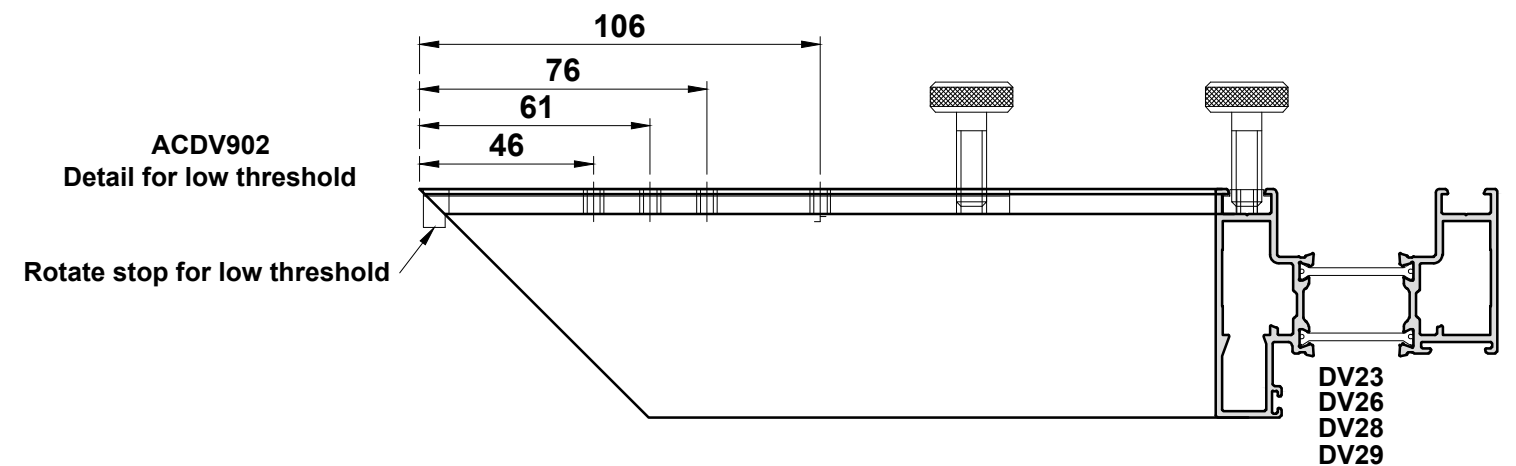
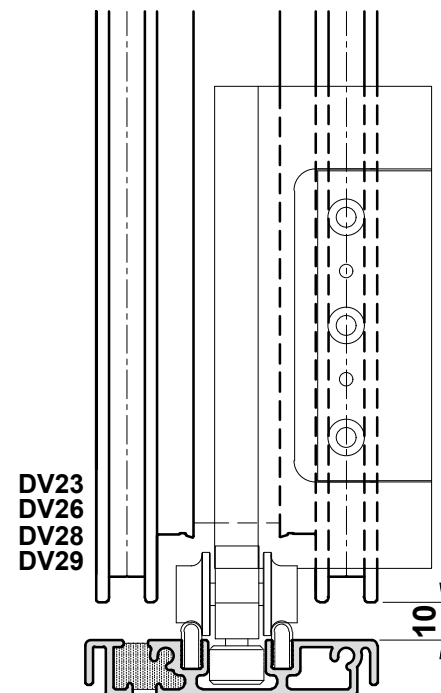
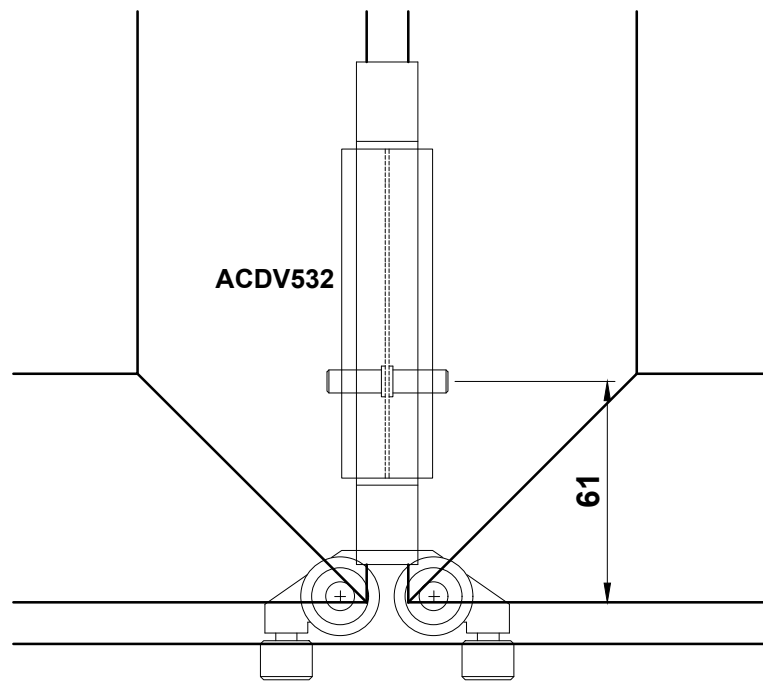
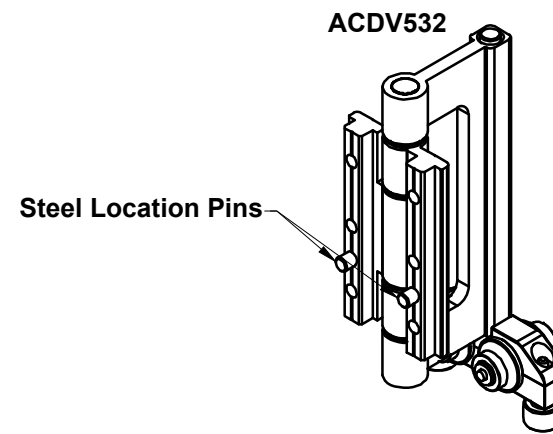
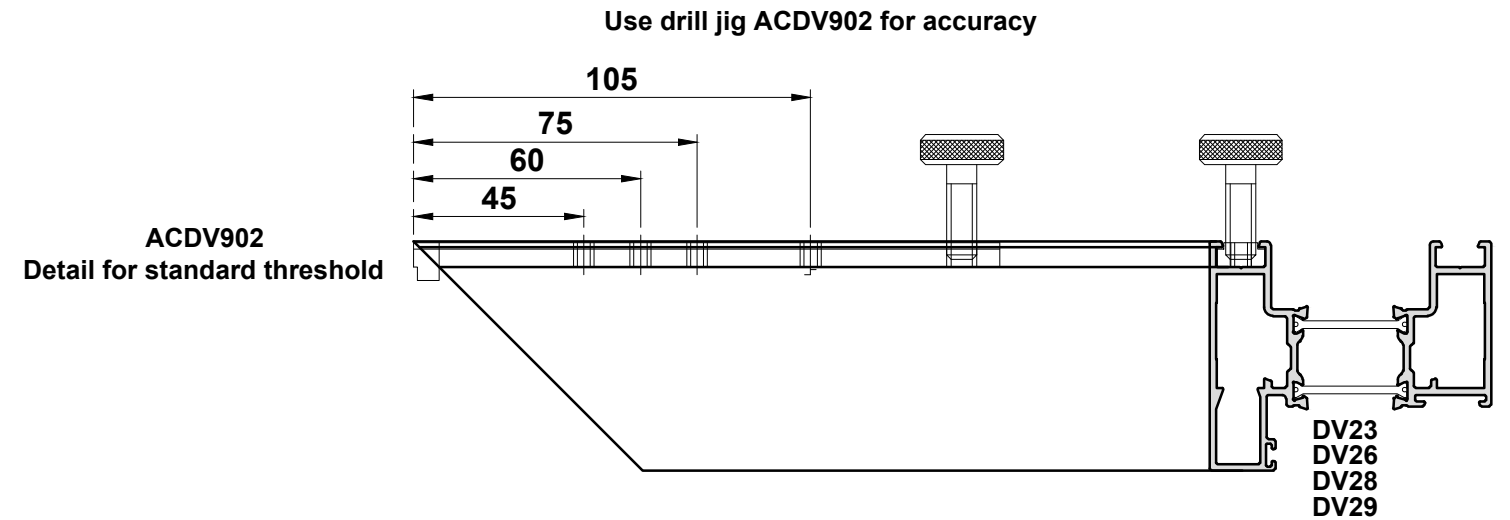
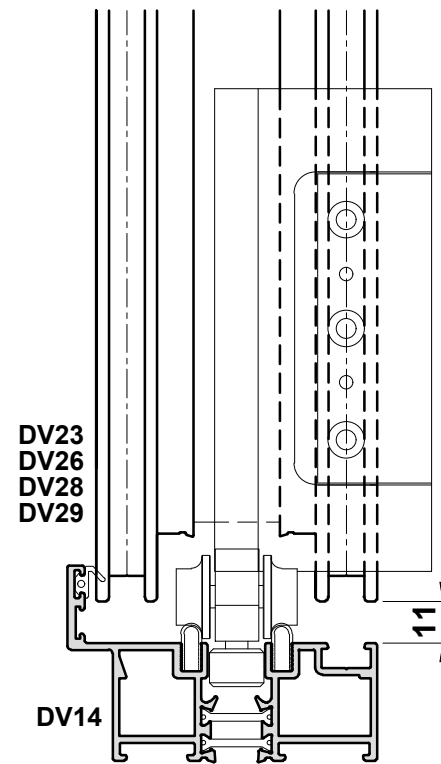
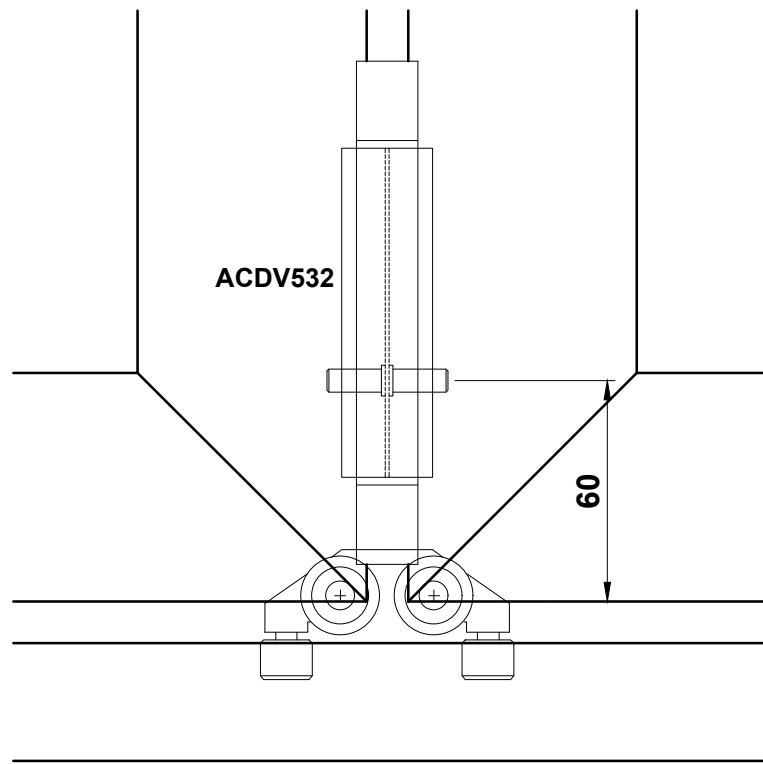
Note:

Once hinges are set into position, replace centre machine screw with a self tapping screw for permanent fixing.



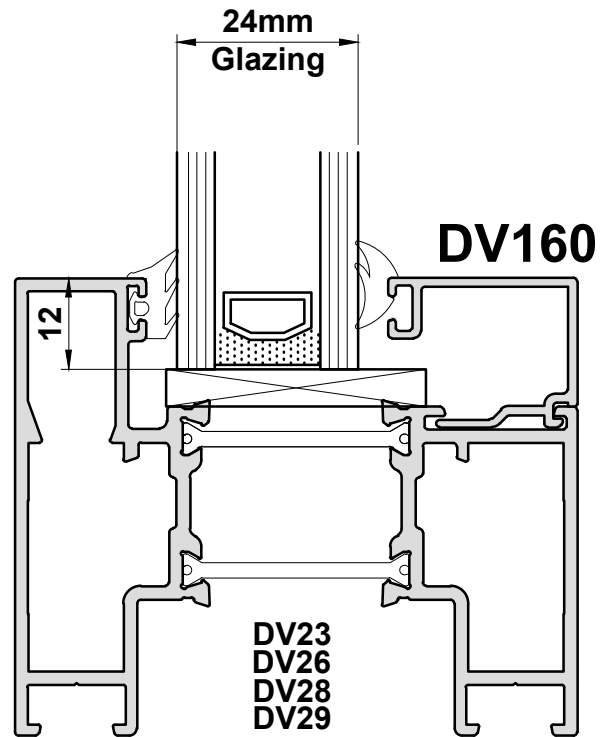
Do Not Scale From This Drawing

ACDV532 Hinge Location Details

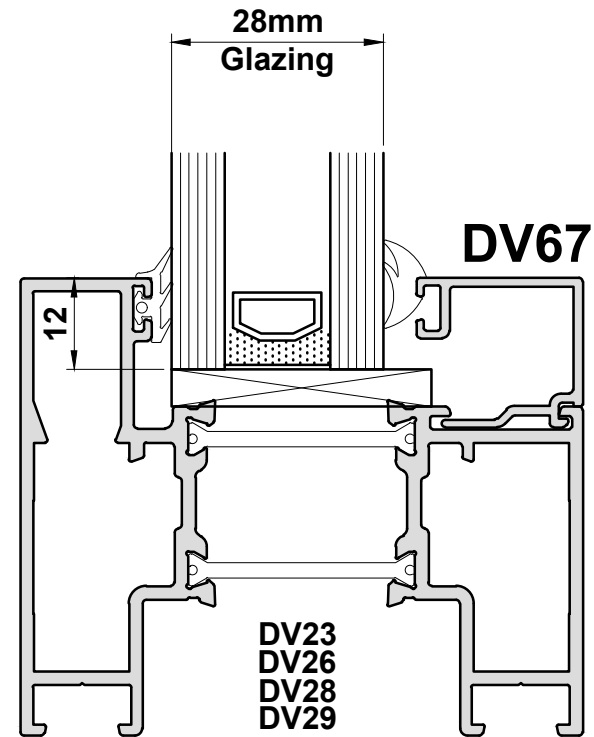


Glazing Details

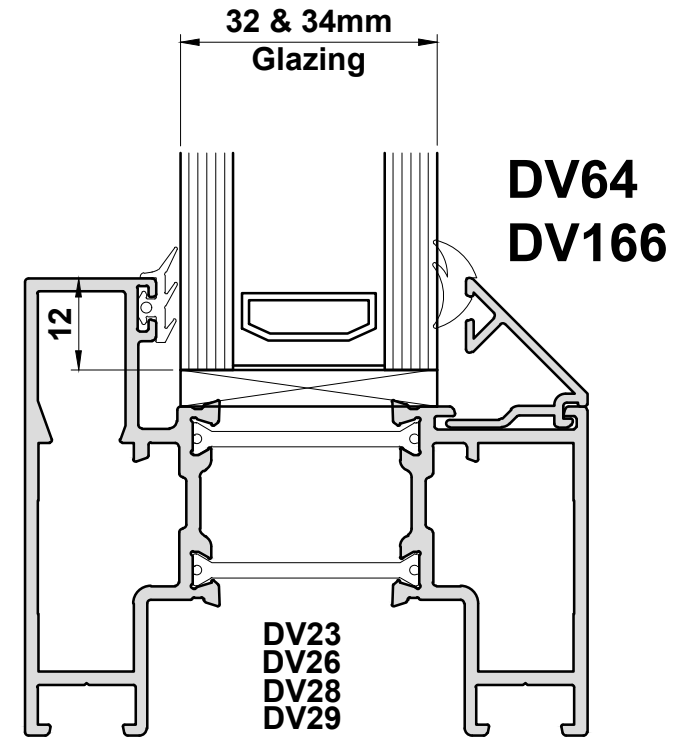
INTERNALLY BEADED



24mm Units	
BEADS	GASKET
DV64	Outside: ACVG131 4mm 'E' Gasket Inside: ACVG34 5mm Wedge Gasket

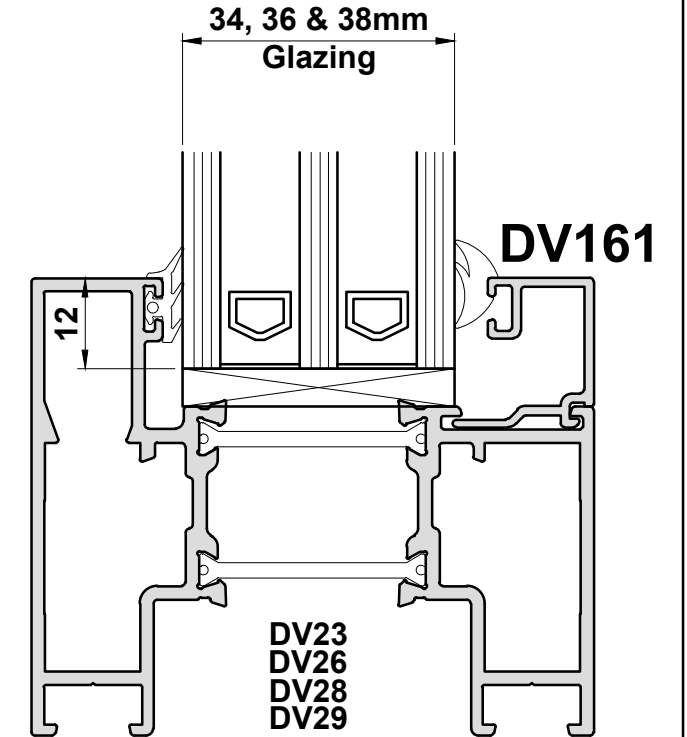


28mm Units	
BEADS	GASKET
DV67	Outside: ACVG31 3mm 'E' Gasket Inside: ACVG34 5mm Wedge Gasket



32mm Units	
BEADS	GASKET
DV64	Outside: ACVG131 4mm 'E' Gasket Inside: ACVG34 5mm Wedge Gasket
DV166	Outside: ACVG131 4mm 'E' Gasket Inside: ACVG34 5mm Wedge Gasket

34mm Units	
BEADS	GASKET
DV64	Outside: ACVG31 3mm 'E' Gasket Inside: ACVG33 4mm Wedge Gasket
DV166	Outside: ACVG131 4mm 'E' Gasket Inside: ACVG34 5mm Wedge Gasket



34mm Units	
BEADS	GASKET
DV161	Outside: ACVG131 4mm 'E' Gasket Inside: ACVG340 6mm Wedge Gasket

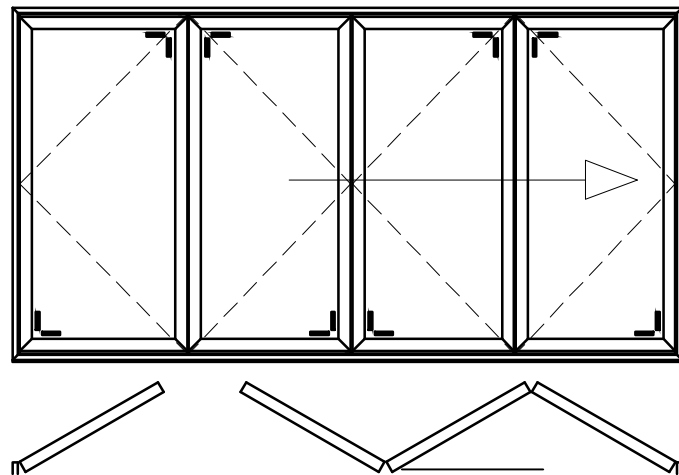
36mm Units	
BEADS	GASKET
DV161	Outside: ACVG31 3mm 'E' Gasket Inside: ACVG34 5mm Wedge Gasket

38mm Units	
BEADS	GASKET
DV161	Outside: ACVG231 2mm 'E' Gasket Inside: ACVG33 4mm Wedge Gasket

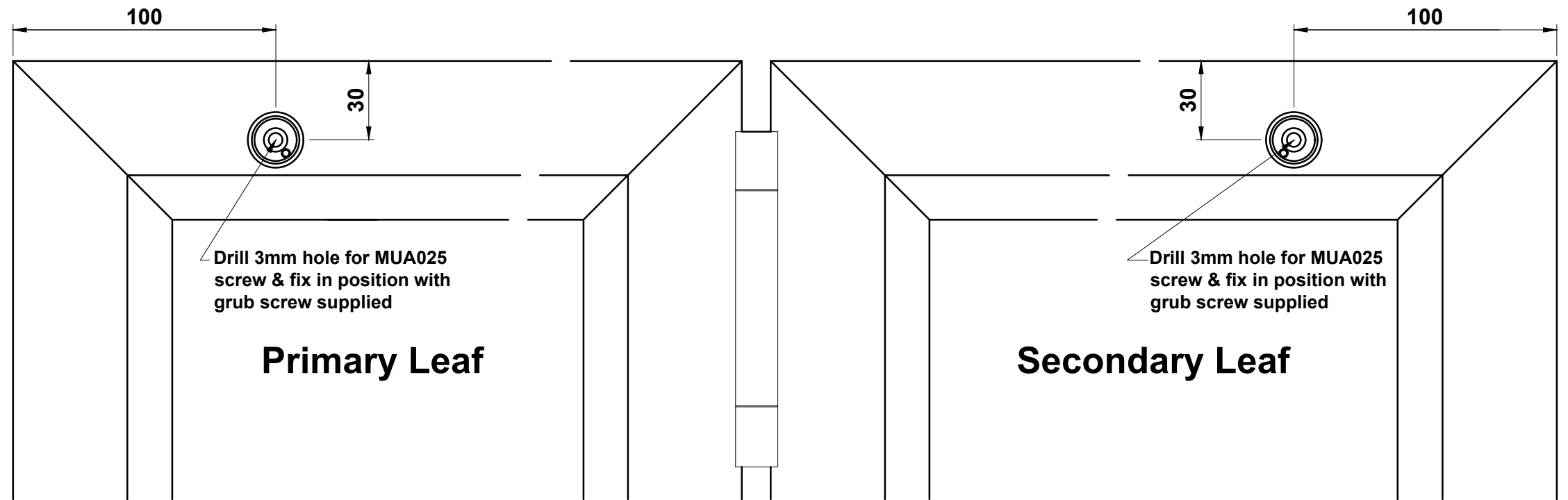
Please Note: Depending on the tolerance of the unit, 38mm glazing may require wedge gaskets internally & externally to allow the bead to locate.

TYPICAL TOE & HEEL LOCATIONS

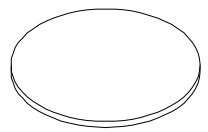
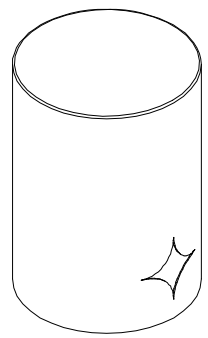
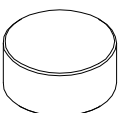
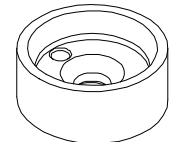
Consider using ACDV295 glass adjusters - see Page E72

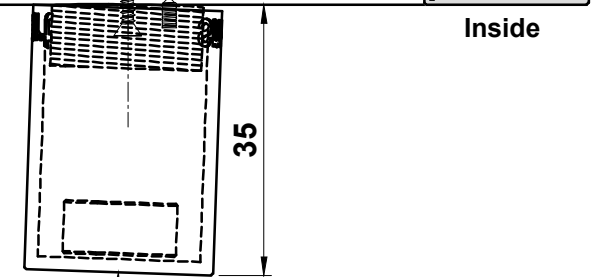
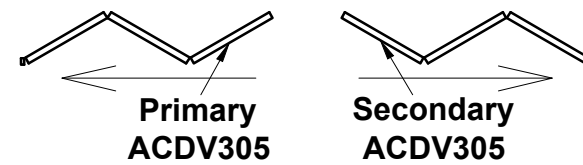
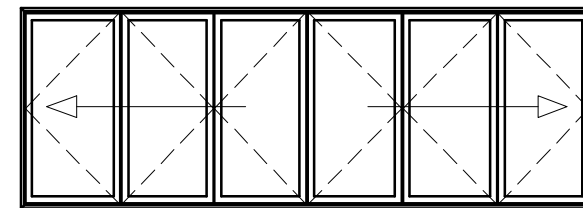
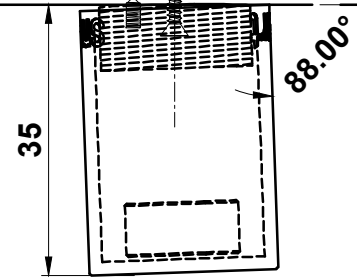
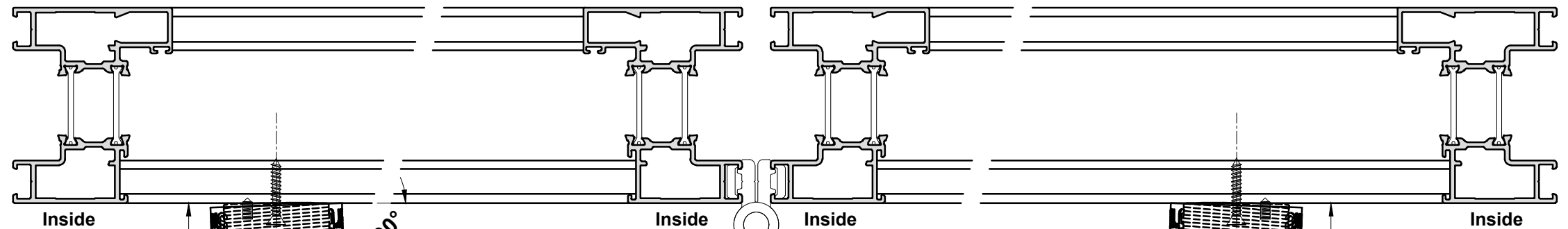


ACDV305 Fitting Details



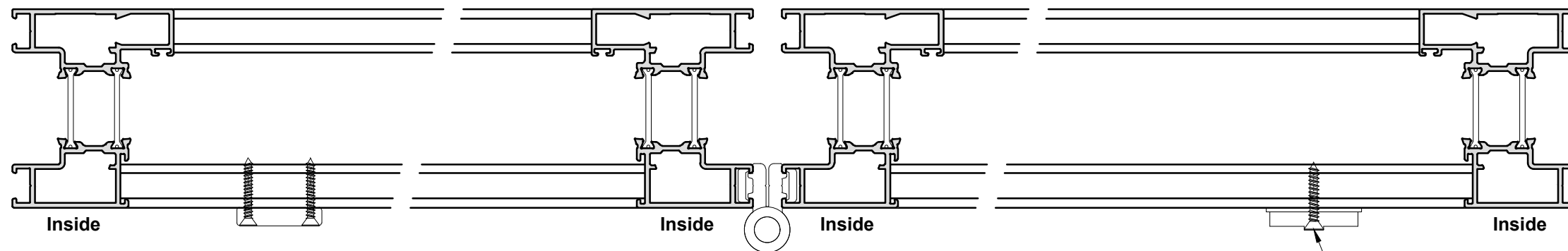
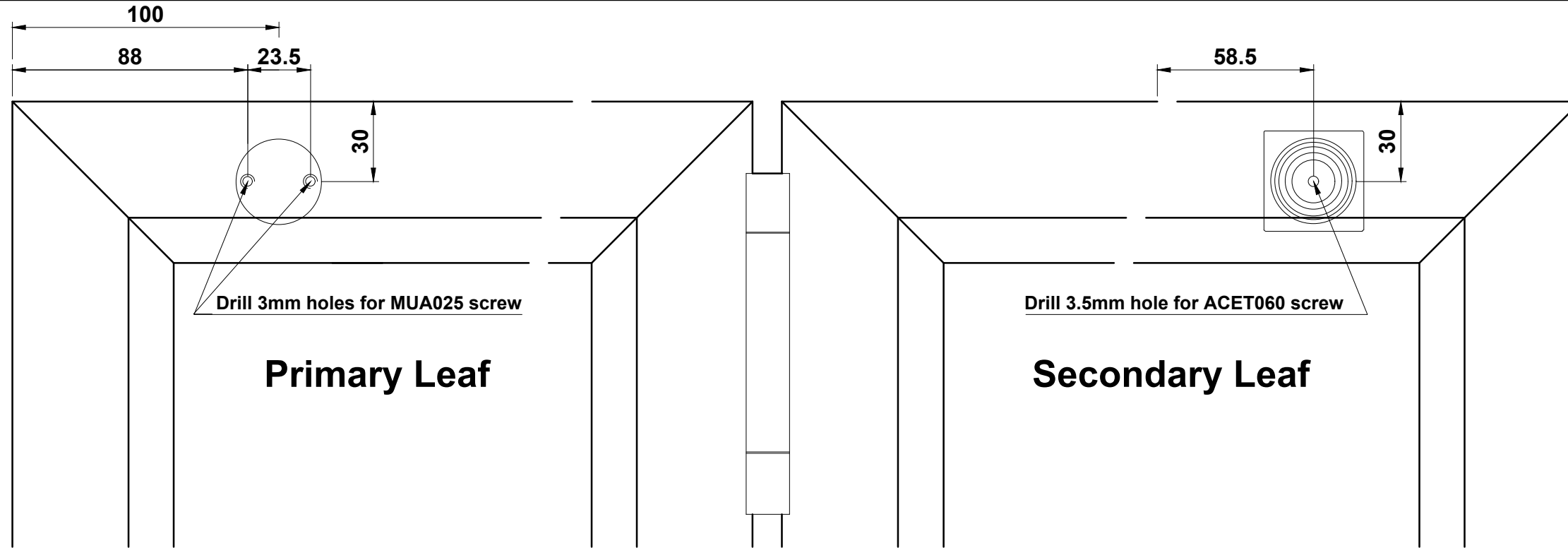
ACDV305 Kit Contains

-  1 x Clear Polyurethane Pad
-  2 x 35mm Magnetic Holders
-  2 x Magnets
-  2 x Threaded Base

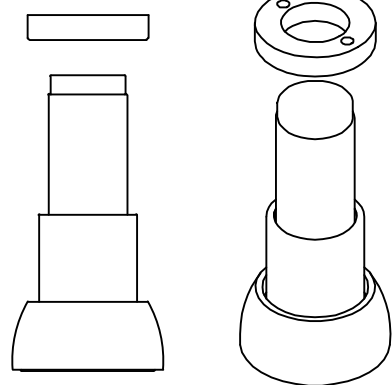


Apply clear polyurethane pad here

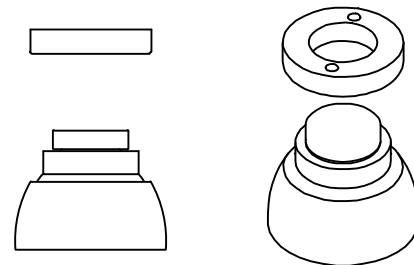
ACDV308/ACDV309 Fitting Details



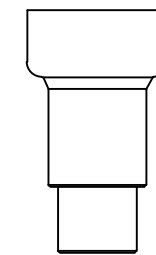
ACDV308



ACDV309

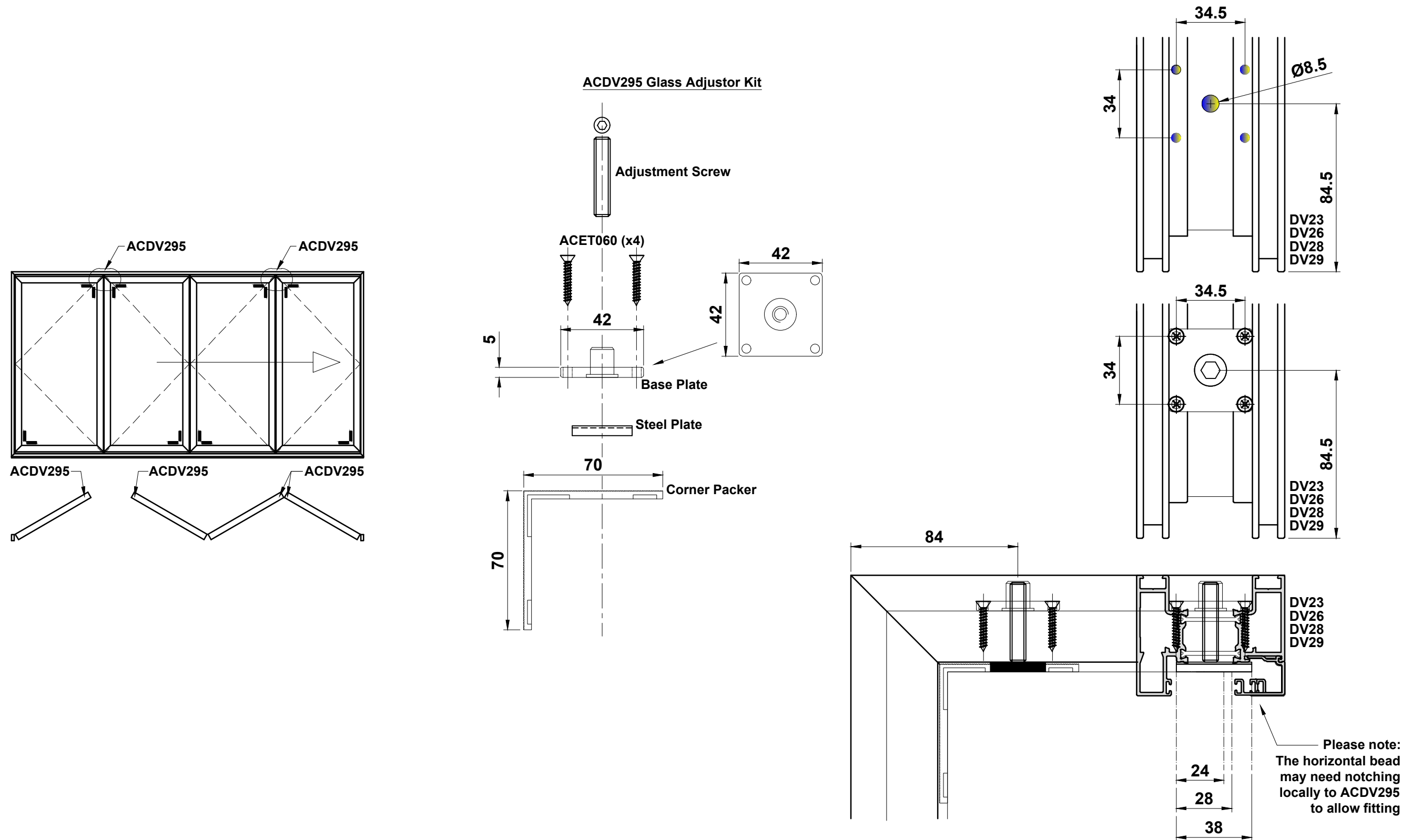


The disc at the wider end of the catch unscrews to allow fixing.



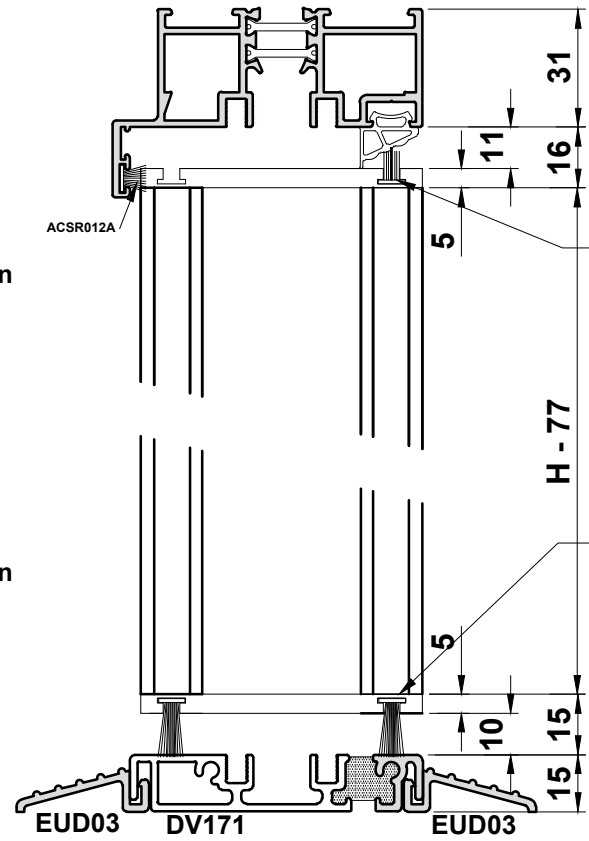
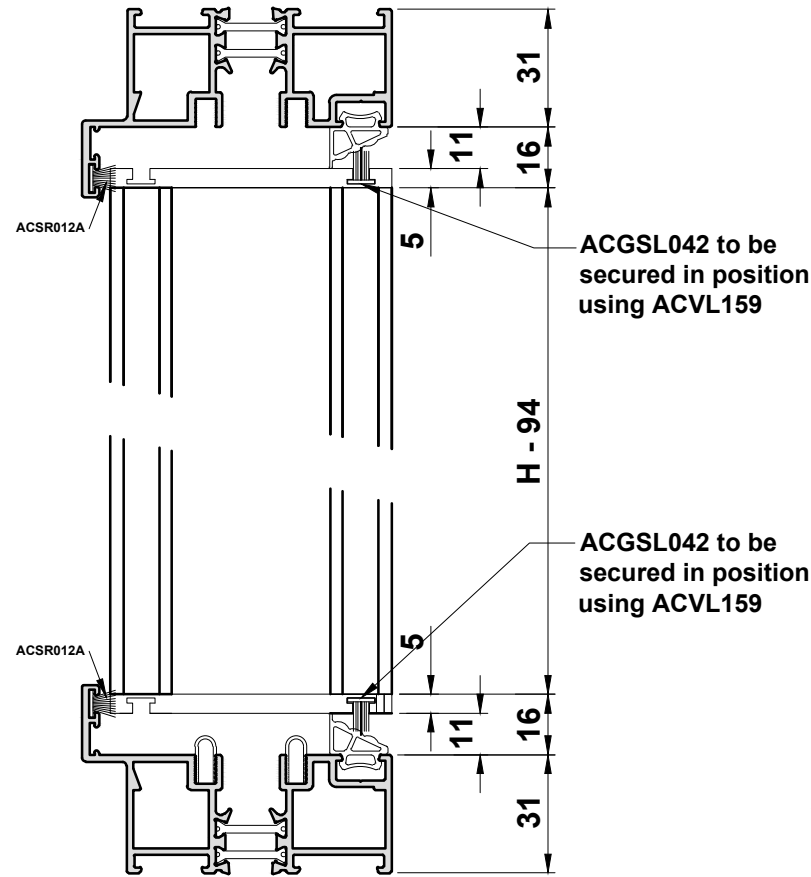
WARNING - the catch is SPRING LOADED, take care when removing from base plate and point in a safe direction

ACDV295 Glass Adjuster Kit



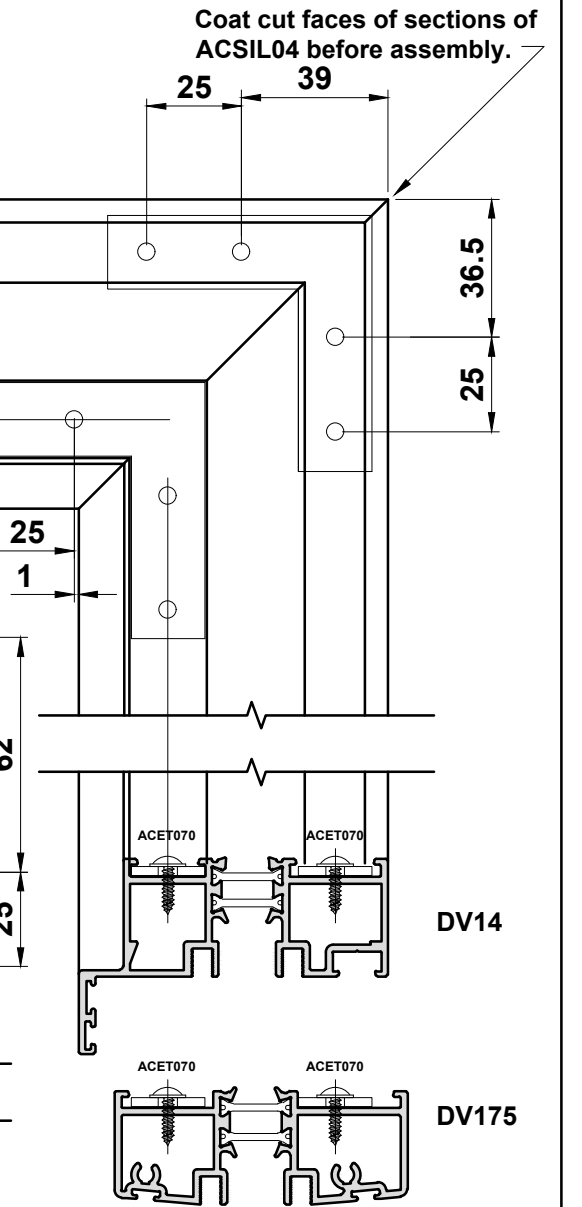
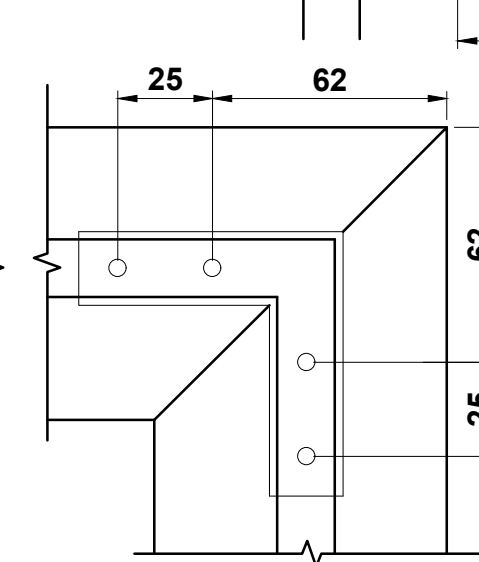
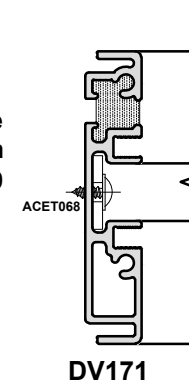
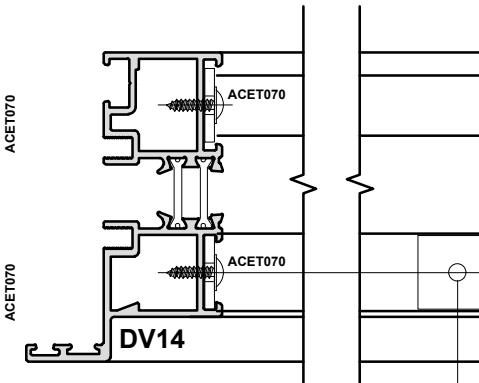
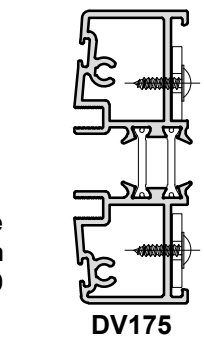
Outer Frame 90° Corner Assembly using ACDV552 & ACDV951

NOTE:
Where DV32 is used, ACSR012A should replace ACDV244

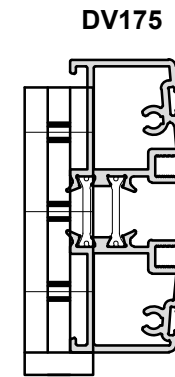
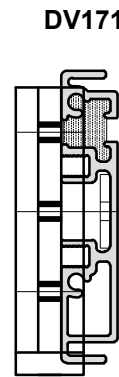
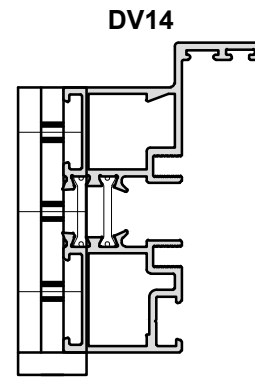
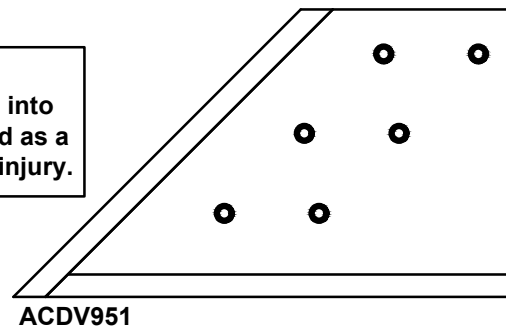


ACGSL042 to be secured in position using ACVL159

ACDV249 Should be secured in position using ACVL159



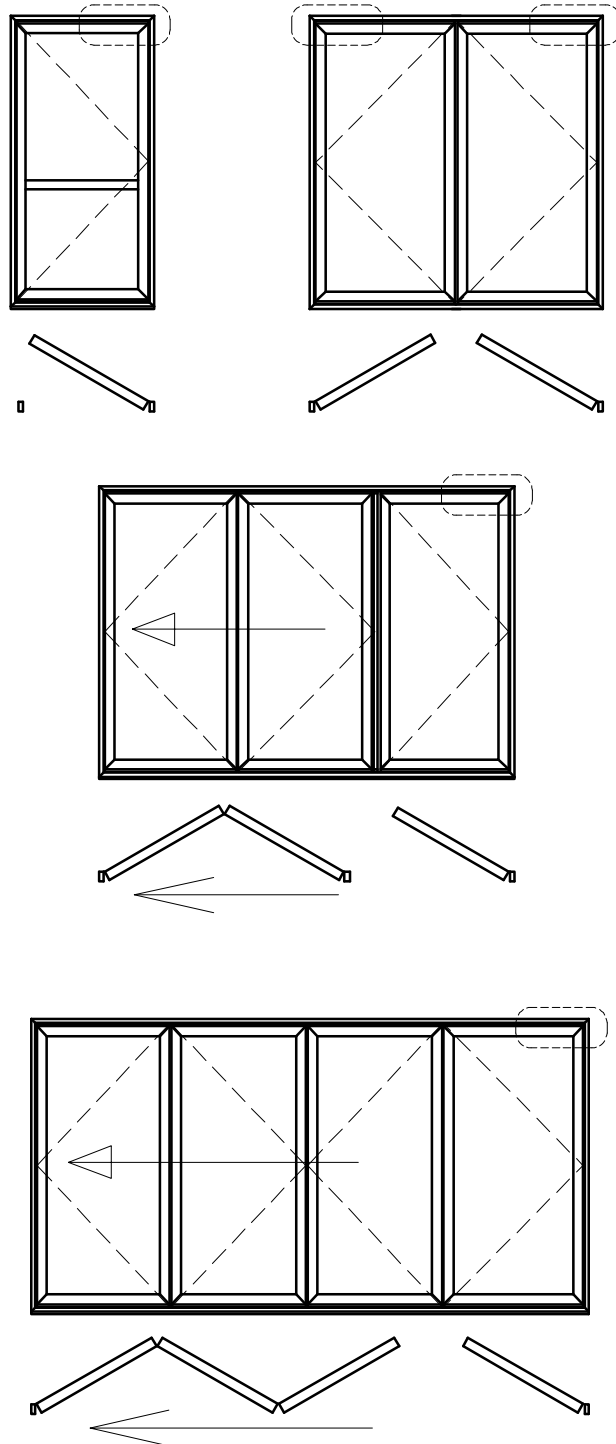
NOTE:
ACDV951 does not clamp into position and must be used as a marking jig only to avoid injury.



ACDV291N Restrictor

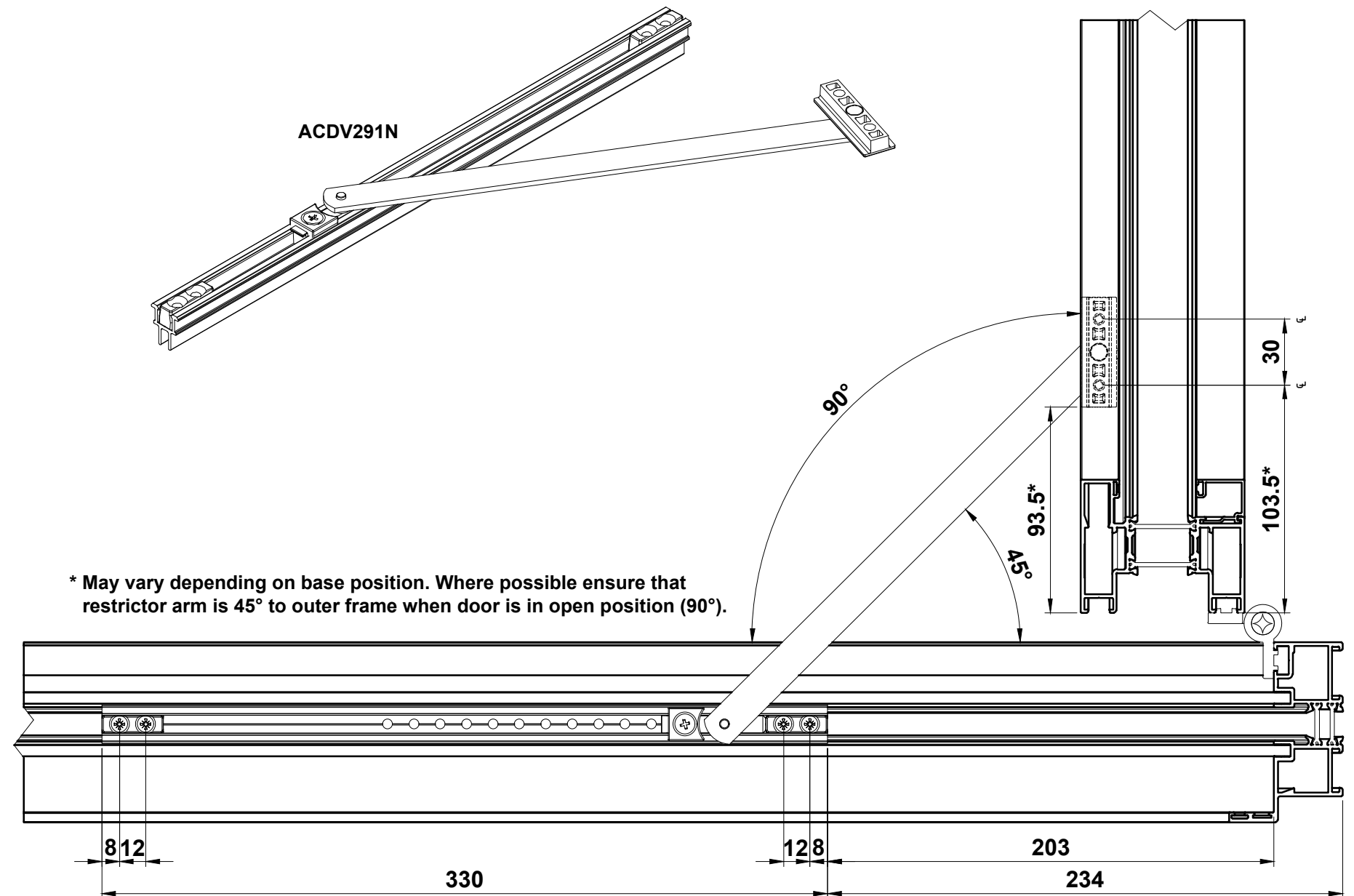
Please note.

ACDV291N restrictor stay can only be used on single or double swing door applications, as shown below.



ACDV291N

Viewed From Bottom

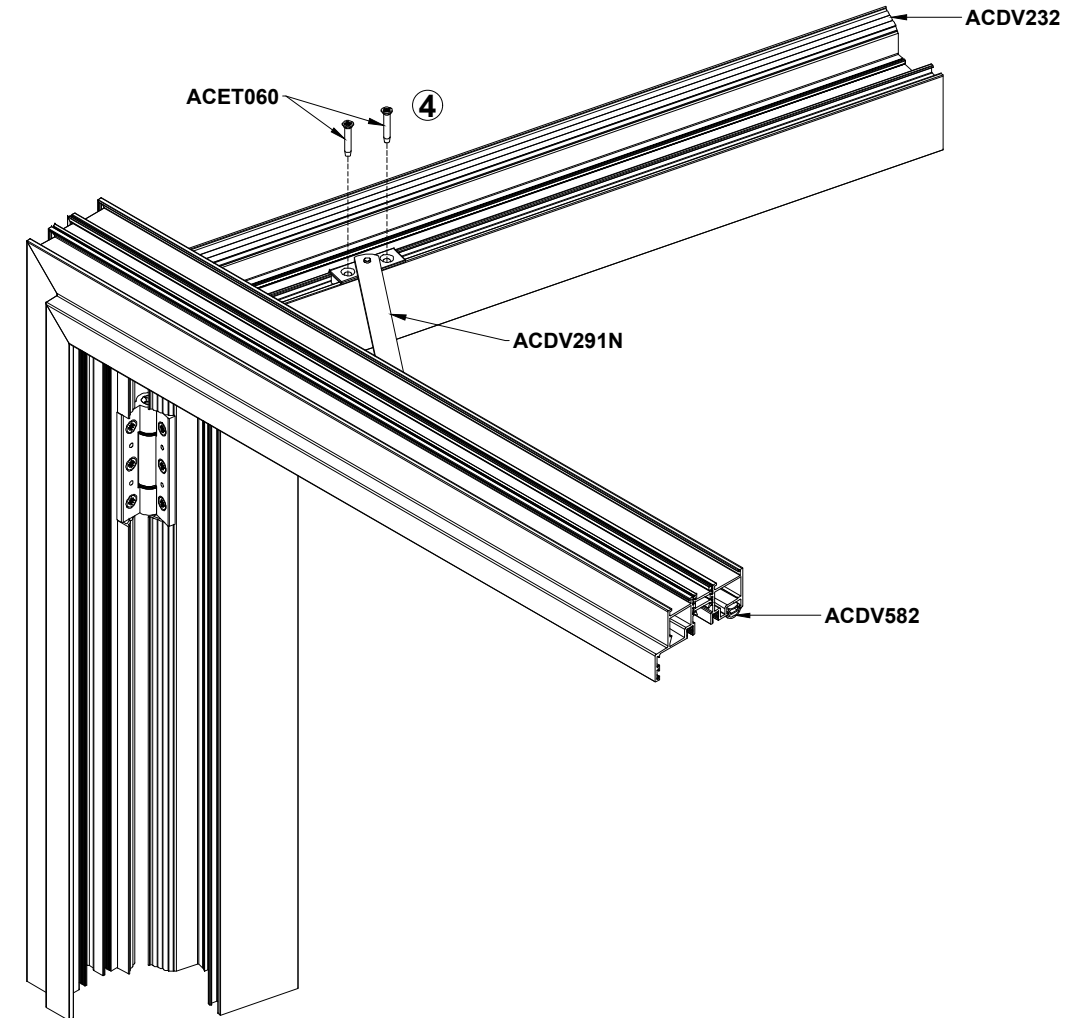
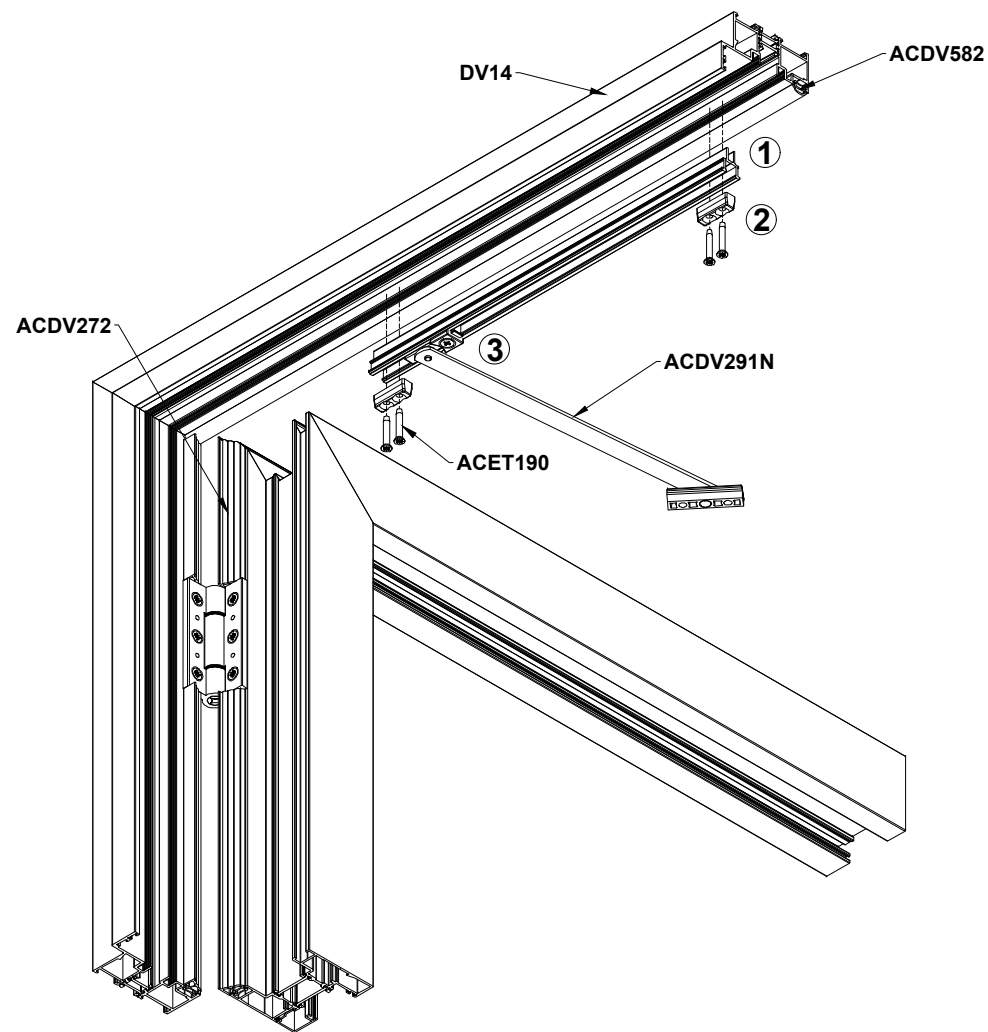


Further fitting details on next page

ACDV291N Restrictor

Please Note

Door needs to be closed slightly in order to install both screws as shown below.



- 1) Insert base of ACDV291N into polyamide channel as shown.
- 2) Use 4 x ACET190 polyamide screws to fix the door stops and base in place.

Note: if fixed before door is installed 2 x ACET190 screws (1 each end) can be substituted for 2 x ACDV264 machine screws and 2 x ACDV241 fixing plates to create a stronger fixing.
- 3) Ensure components move freely in channel. If required, apply some ACMX09763 Teflon lubrication spray.
- 4) Adjust door leaf to open at 90°. Once in place insert the restrictor bracket into the internal gasket channel on sash as shown. Spot and drill 2 x Ø3mm holes. Close the door slightly and then fix in place using 2 x ACET060 self tapping screws.

Section F

Sawing Tables

Open Out

- F03 - Type 1e With Rebated Threshold
- F04 - Type 1e With Low Threshold
- F05 - Type 2e With Standard Threshold
- F06 - Type 2e With Low Threshold
- F07 - Type 3e With Standard Threshold
- F08 - Type 3e With Low Threshold
- F09 - Type 4e With Standard Threshold
- F10 - Type 4e With Low Threshold
- F11 - Type 5e With Standard Threshold
- F12 - Type 5e With Low Threshold
- F13 - Type 6e With Standard Threshold
- F14 - Type 6e With Low Threshold
- F15 - Type 7e With Standard Threshold
- F16 - Type 7e With Low Threshold
- F17 - Type 8e Adjustable Jamb with Standard Threshold
- F17 - Single Door With Standard Threshold
- F18 - Single Door With Low Threshold
- F19 - Double Swing Door Standard Threshold
- F20 - Double Swing Door Low Threshold
- F21 - Double Slide Door With Standard Threshold
- F22 - Double Slide Door With Low Threshold
- F23 - 3/2 Door Standard Threshold
- F24 - 3/2 Door Low Threshold
- F25 - 4/1 Door Standard Threshold
- F26 - 4/1 Door Low Threshold

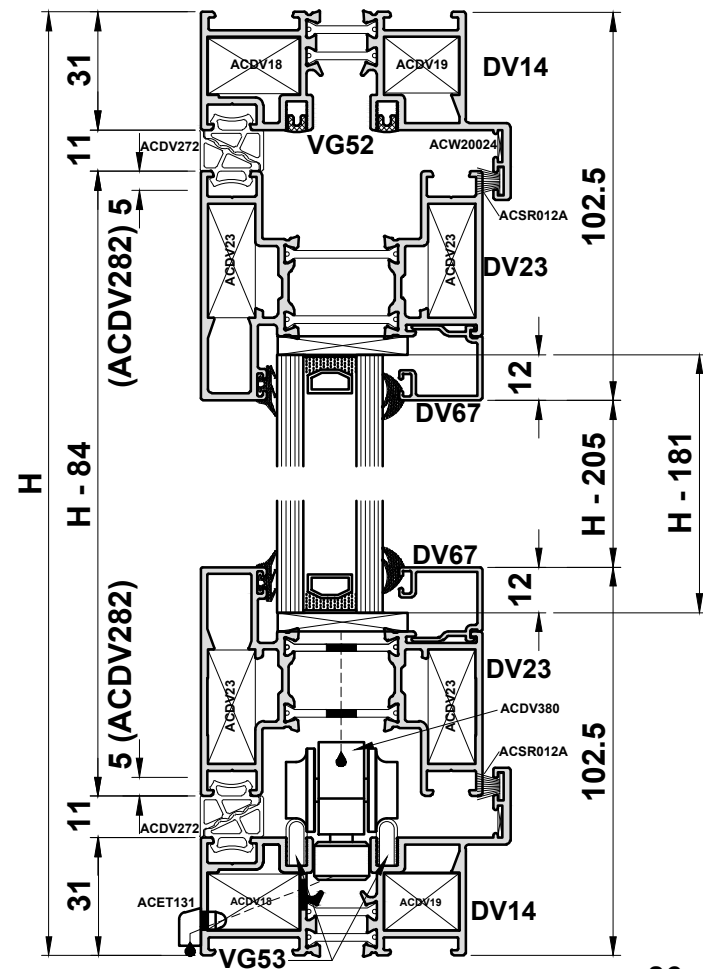
Section F

Sawing Tables

Open In

- F28 - Type 1i With Rebated Threshold
- F29 - Type 1i With Low Threshold
- F30 - Type 2i With Standard Threshold
- F31 - Type 2i With Low Threshold
- F32 - Type 3i With Standard Threshold
- F33 - Type 3i With Low Threshold
- F34 - Type 4i With Standard Threshold
- F35 - Type 4i With Low Threshold
- F36 - Type 5i With Standard Threshold
- F37 - Type 5i With Low Threshold
- F38 - Type 6i With Standard Threshold
- F39 - Type 6i With Low Threshold
- F40 - Type 7i With Standard Threshold
- F41 - Type 7i With Low Threshold
- F42 - Single Door With Standard Threshold
- F43 - Single Door With Low Threshold
- F44 - Double Swing Door Standard Threshold
- F45 - Double Swing Door Low Threshold
- F46 - Double Slide Door With Standard Threshold
- F47 - Double Slide Door With Low Threshold
- F48 - 3/2 Door Standard Threshold
- F49 - 3/2 Door Low Threshold
- F50 - 4/1 Door Standard Threshold
- F51 - 4/1 Door Low Threshold

Cutting Information



PROFILE CUTTING SCHEDULE

DV14		2		W
DV14		2		H
DV23		6		W/3-52
DV23		6		H-84
DV38		1		H-94
DV76		2		H-84
Glazing Bead		6		W/3-139.5
Glazing Bead		6		H-205
VG52		2		W-62
VG52		4		H-62
VG53		2		W-62
PCX36		1		H-84
PCX38		1		H-84

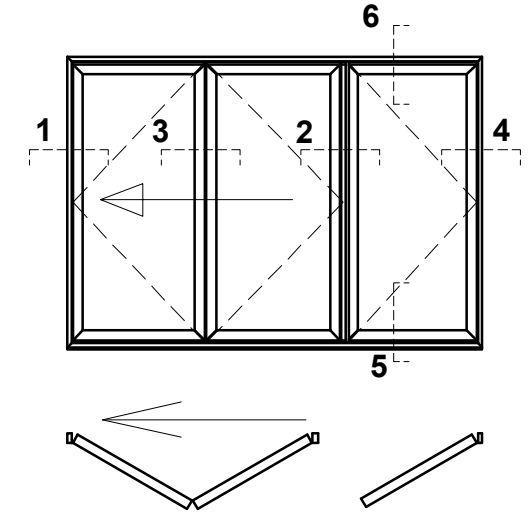
Note: PCX15 required for leaf heights over 2285mm.

GLASS SIZES	3 X	W/3 - 149.5
		H - 181

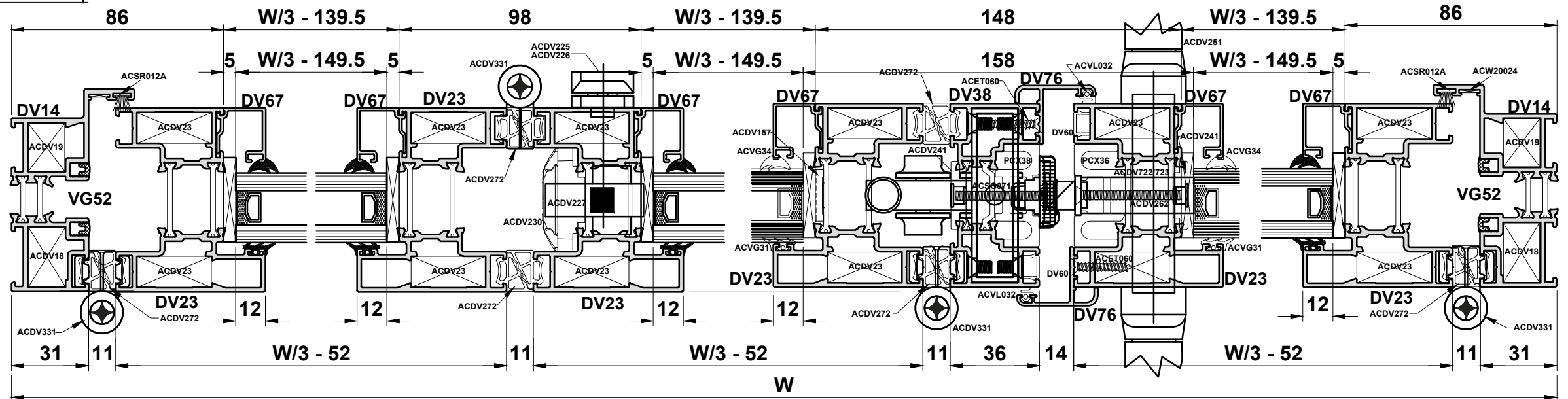
ACCESSORIES

ACDV18	4	CLEAT FOR DV14
ACDV19	4	CLEAT FOR DV14
ACDV23	24	CLEAT FOR DV23
ACDV080	1	RUN UP BLOCK
ACDV225 or 226	1	SHOOTBOLT HANDLE
ACDV227	1	SHOOTBOLT GEARBOX
ACDV228	1 (PAIR)	SHOOTBOLT ROD
ACDV229	2	SHOOTBOLT GUIDE
ACDV230	1	SHOOTBOLT COVER
ACDV331	15	INTERMEDIATE HINGE
ACDV234	1	D-HANDLE/HINGE
ACDV241	22	FIXING BLOCK FOR LOCK & KEEPS
ACDV251	1 (PAIR)	LEVER HANDLES
ACDV258 (SL)	1	50/50 CYLINDER
ACDV262	22	SCREW FOR LOCK & KEEPS
ACDV272	4 x (W-62) 12 x (H-62)	SEALING GASKET (cut to fit)
ACDV275	3	CORNER MOULDS
ACDV380	1	DV32 BOTTOM ROLLER
ACDV381	1	DV32 TOP GUIDE
ACDV282	4	WOOLPILE CARRIER
ACDV76	2 (PAIRS)	END CAP FOR DV76
ACDV722/23	1	MULTI-POINT LOCK
ACET060	24	SCREW FOR DV56 & ACDV282
ACET133	2	SCREW FOR ACDV225/6
ACET131	2	DRAIN HOLE COVER
ACMX01604 (SL)	1	HALF CYLINDER
ACVG31	6 x (W/3-149) + 6 x (H-181)	EXTERNAL GLAZING GASKET
ACVG34	6 x (W/3-149) + 6 x (H-181)	INTERNAL GLAZING GASKET
ACVL032	2 x (H-84)	DV56 FLIPPER GASKET
ACSR012A	2 x (W-90) + 2 x (H-90)	WOOLPILE
ACSR012A	4 x 47mm	WOOLPILE FOR ENDCAPS
ACW20024	4	CHEVRON FOR DV14

Type 1e

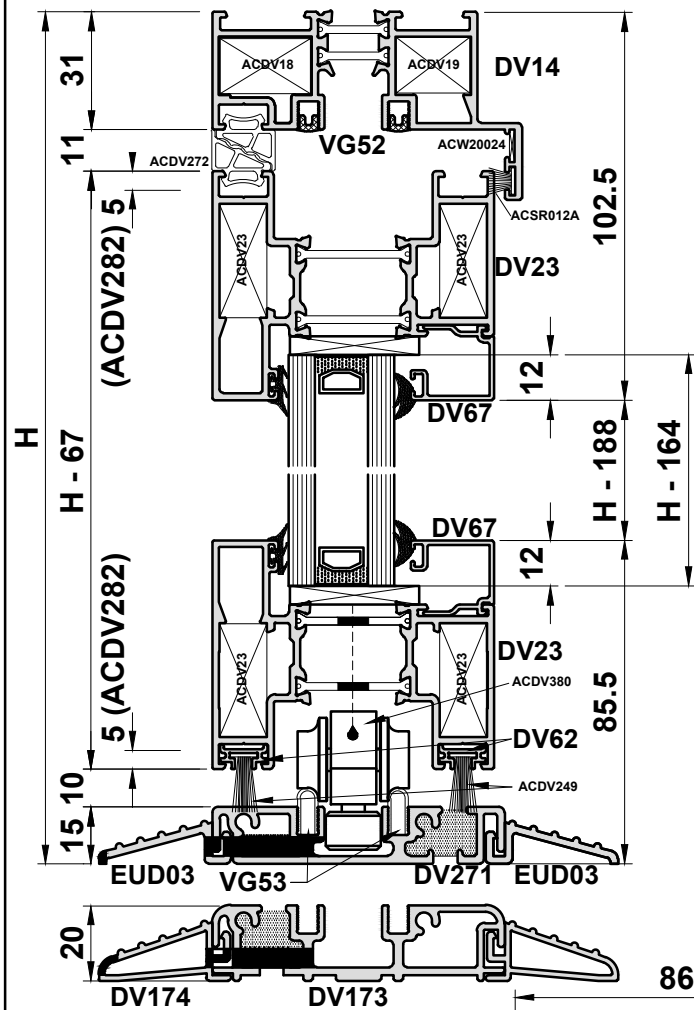


IMPORTANT NOTE:
Min. Sash Width 700mm / Max. Sash Width 1200mm
Max. Sash Weight 100kg
Max. Sash Height 2500mm Dependant On Site Conditions
Always Measure In the Last Vent.



Do Not Scale From This Drawing

Cutting Information



DV14	1		W
DV14	2		H
DV271	1		W-66
EUD03	1		W-66
EUD03	1		W-99
DV23	6		W/3-52
DV23	6		H-67
DV38	1		H-77
DV76	2		H-67
DV62	2		W/3-58.5
DV62	4		W/3-65
Glazing Bead	6		W/3-138.5
Glazing Bead	6		H-188
VG52	2		W-62
VG52	4		H-46
VG53	2		W-62
PCX36	1		H-67
PCX38	1		H-67

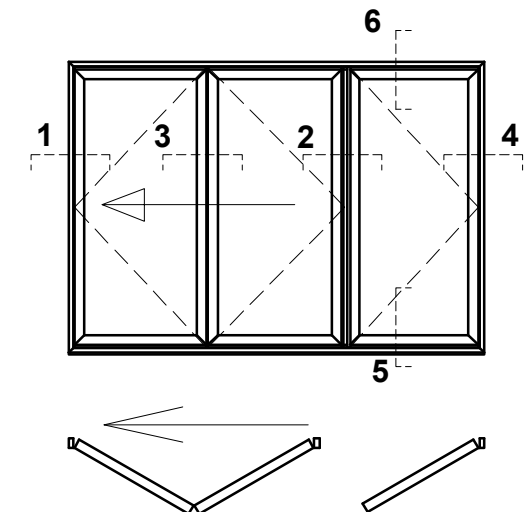
ACDV18	2	CLEAT FOR DV14
ACDV19	2	CLEAT FOR DV14
ACDV271/173	2	THRESHOLD ENDCAP
ACDV23	24	CLEAT FOR DV23
ACDV225 or 226	1	SHOOTBOLT HANDLE
ACDV227	1	SHOOTBOLT GEARBOX
ACDV228	1 (PAIR)	SHOOTBOLT ROD
ACDV229	2	SHOOTBOLT GUIDE
ACDV230	1	SHOOTBOLT COVER
ACDV331	15	INTERMEDIATE HINGE
ACDV234	1	D-HANDLE/HINGE
ACDV241	22	FIXING BLOCK FOR LOCK & KEEPS
ACDV249	6 x (W/3-51) + 2 x (42)	WOOLPILE
ACDV251	1 (PAIR)	LEVER HANDLES
ACDV258 (SL)	1	50/50 CYLINDER
ACDV262	22	SCREW FOR LOCK & KEEPS
ACDV272	2 x (W-62) 12 x (H-62)	SEALING GASKET (cut to fit)
ACDV275	3	CORNER MOULDS
ACDV380	1	DV32 BOTTOM ROLLER
ACDV381	1	DV32 TOP GUIDE
ACDV282	4	WOOLPILE CARRIER
ACDV284	2	ACDV380 & ACDV281 ISOLATOR
ACDV76	2 (PAIRS)	END CAP FOR DV76
ACDV722/23	1	MULTI-POINT LOCK
ACDR052	4	SCREWS FOR THRESHOLD
ACET060	24	SCREW FOR DV56 & ACDV282
ACET133	2	SCREW FOR ACDV225/6
ACMX01604 (SL)	1	HALF CYLINDER
ACVG31	6 x (W/3-149) + 6 x (H-164)	EXTERNAL GLAZING GASKET
ACVG34	6 x (W/3-149) + 6 x (H-164)	INTERNAL GLAZING GASKET
ACVL032	2 x (H-84)	DV56 FLIPPER GASKET
ACSR012A	1 x (W-90) + 2 x (H-90)	WOOLPILE
ACSR012A	2 x 47mm	WOOLPILE FOR ENDCAPS
ACDV249	2 x 47mm	WOOLPILE FOR ACDV282
ACW20024	2	CHEVRON FOR DV14
ACDV292	1	BRUSH PILE CARRIER

PROFILE CUTTING SCHEDULE (DV173)

DV173	1		W-66
DV174	1		W-66
DV174	1		W-99
DV23	8		H-72
DV38	1		H-82
DV76	1		H-72
Glazing Bead	6 or 6		H-159 H-193
PCX36	1		H-72
PCX38	1		H-72

Note: PCX15 required for leaf heights over 2285mm.

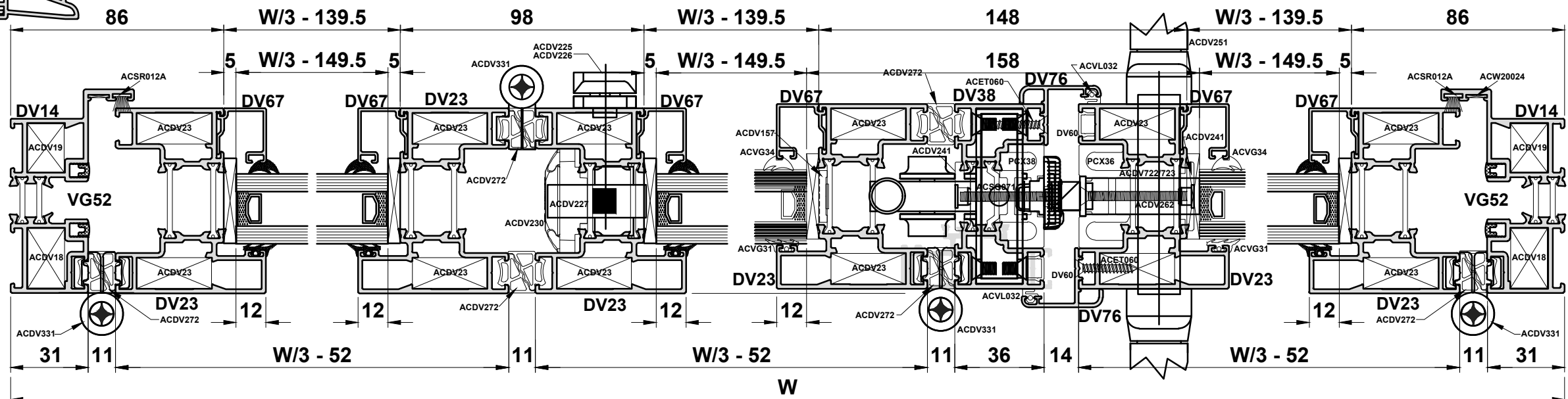
Type 1e



IMPORTANT NOTE:
Min. Sash Width 700mm / Max. Sash Width 1200mm
Max. Sash Weight 100kg
Max. Sash Height 2500mm Dependant On Site Conditions
Always Measure In the Last Vent.

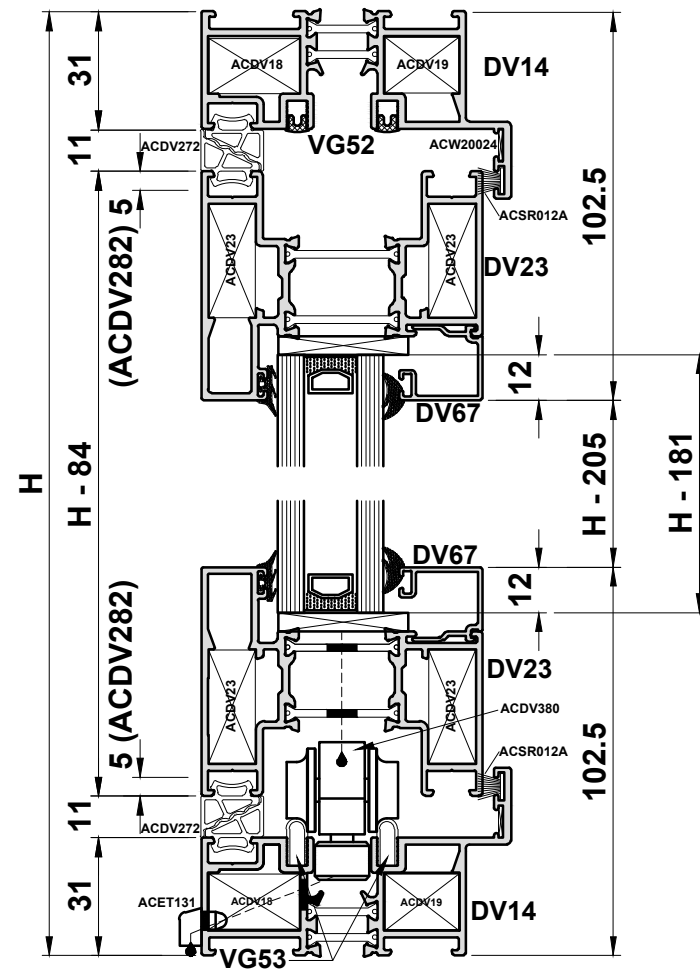
GLASS DEDUCTIONS

DV271	3 x	W/3 - 148.5	H - 164
DV173	3 x	W/3 - 148.5	H - 169



Do Not Scale From This Drawing

Cutting Information



PROFILE CUTTING SCHEDULE

DV14		2		W
DV14		2		H
DV23		6		W/3-36.5
DV23		6		H-84
DV76		1		H-84
Glazing Bead		6		W/3-124
Glazing Bead		6		H-205
DV60		1		H-62
VG52		2		W-62
VG52		4		H-62
VG53		2		W-62
PCX36		1		H-84

Note: PCX15 required for leaf heights over 2285mm.

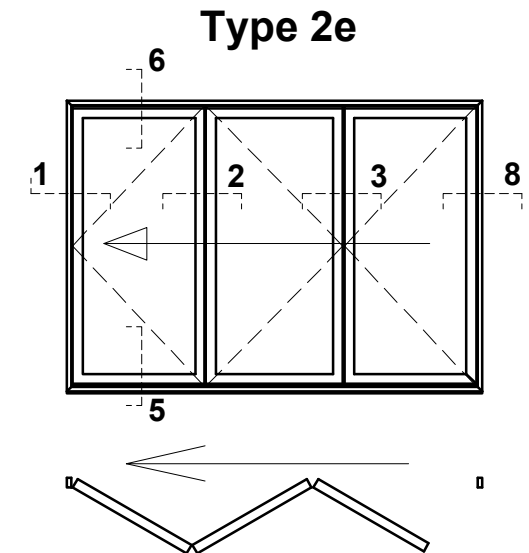
GLASS SIZES	3 X	W/3 - 134
		H - 181

FOR ENHANCED WEATHER PERFORMANCE REPLACE ACDV244 FLIPPER GASKET WITH ACDV268 BUBBLE GASKET

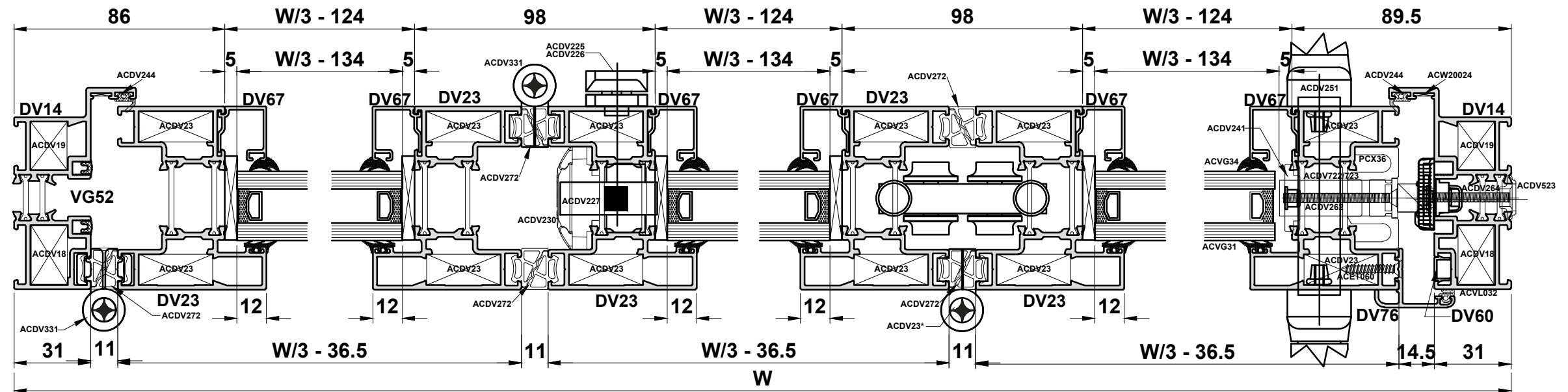
ACCESSORIES

ACDV18	4	CLEAT FOR DV14
ACDV19	4	CLEAT FOR DV14
ACDV23	24	CLEAT FOR DV23
ACDV080	1	RUN UP BLOCK
ACDV225 or 226	1	SHOOTBOLT HANDLE
ACDV227	1	SHOOTBOLT GEARBOX
ACDV228	1 (PAIR)	SHOOTBOLT ROD
ACDV229	2	SHOOTBOLT GUIDE
ACDV230	1	SHOOTBOLT COVER
ACDV331	9	INTERMEDIATE HINGE
ACDV232	1	BOTTOM ROLLER HINGE
ACDV233	1	TOP GUIDE HINGE
ACDV234	1	D-HANDLE/HINGE
ACDV241	11	FIXING BLOCK FOR LOCK
ACDV244	2 x (W-90) + 2 x (H-90)	FLIPPER GASKET
ACDV251	1 (PAIR)	LEVER HANDLES
ACDV258 (SL)	1	50/50 CYLINDER
ACDV262	11	SCREW FOR LOCK
ACDV264	11	SCREW FOR KEEPS
ACDV272	4 x (W-62) 10 x (H-62)	SEALING GASKET (cut to fit)
ACDV275	3	CORNER MOULDS
ACDV76	1 (PAIR)	END CAP FOR DV76
ACDV222/23	1	MULTI-POINT LOCK
ACET060	11	SCREW FOR DV76
ACET133	2	SCREW FOR ACDV225/6
ACET131	2	DRAIN HOLE COVER
ACMX01604 (SL)	1	HALF CYLINDER
ACDV523	11	FIXING BLOCK FOR KEEPS
ACVG31	6 x (W/3-133) + 6 x (H-181)	EXTERNAL GLAZING GASKET
ACVG34	6 x (W/3-133) + 6 x (H-181)	INTERNAL GLAZING GASKET
ACVL032	1 x (H-84)	DV76 FLIPPER GASKET
ACW20024	4	CHEVRON FOR DV14

+ Optional: 1 x ACDV308 Magnetic Catch

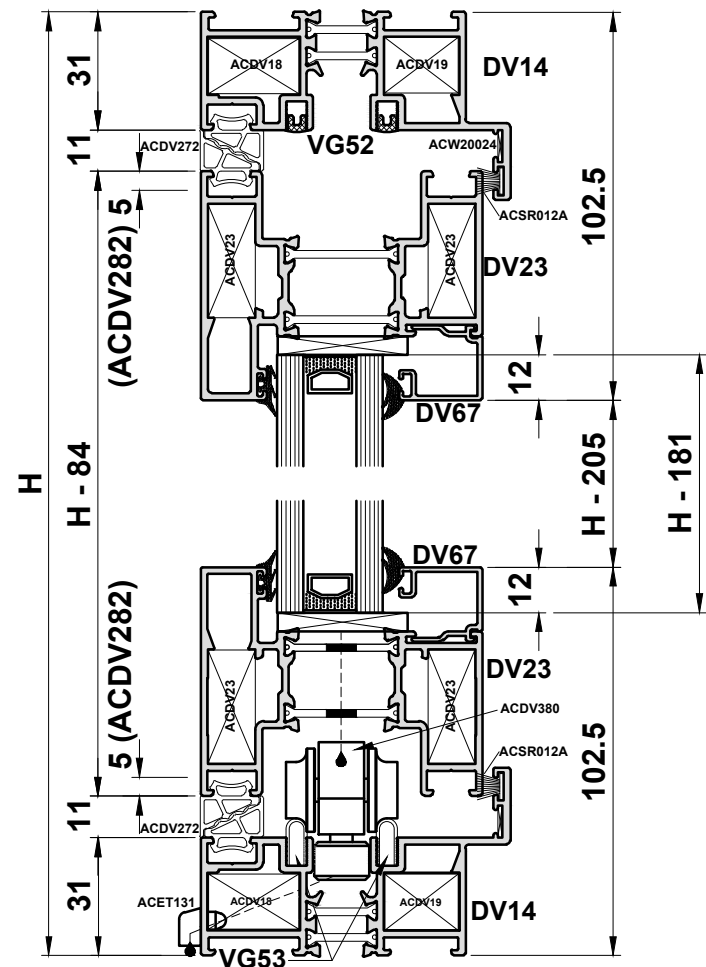


IMPORTANT NOTE:
Min. Sash Width 700mm / Max. Sash Width 1200mm
Max. Sash Weight 100kg
Max. Sash Height 2500mm Dependant On Site Conditions
Always Measure In the Last Vent.



Do Not Scale From This Drawing

Cutting Information



PROFILE CUTTING SCHEDULE

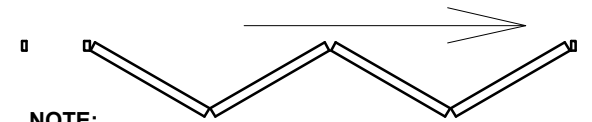
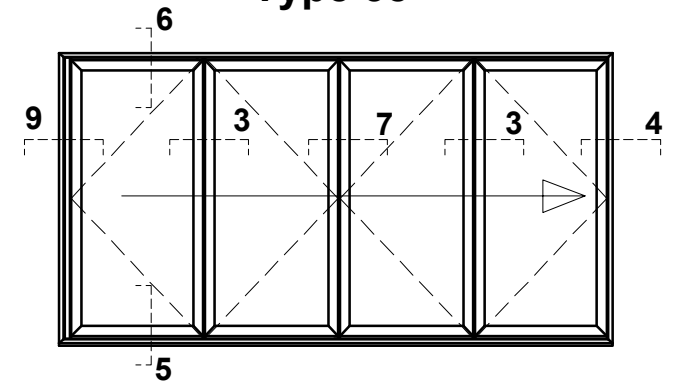
DV14		2		W
DV14		2		H
DV23		8		W/4 - 41
DV23		8		H-84
DV32		1		H-94
DV56		1		H-84
DV60		1		H-62
Glazing Bead		8		W/4 - 128.5
Glazing Bead		8		H-205
VG52		2		W-62
VG52		4		H-62
VG53		2		W-62

GLASS SIZES	
4 X	W/4 - 138.5
	H - 181

ACCESSORIES

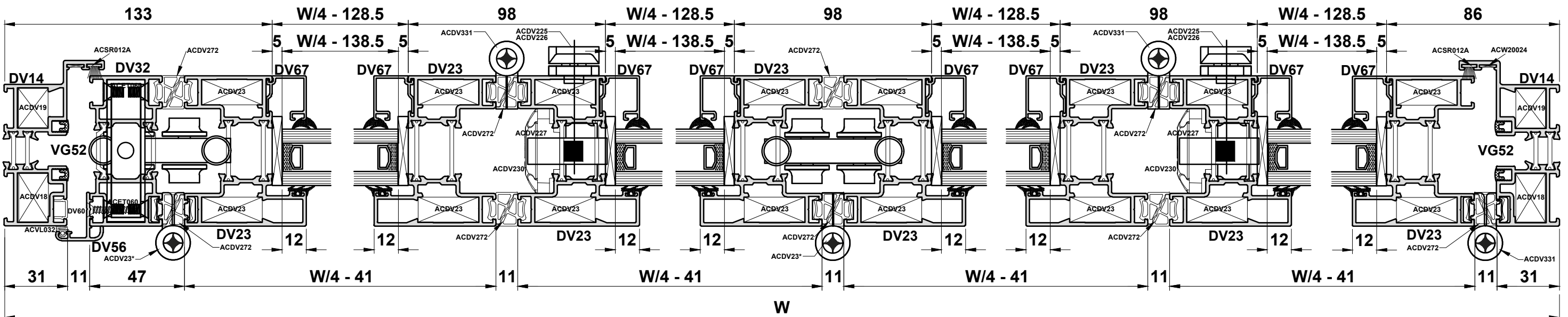
ACDV18	4	CLEAT FOR DV14
ACDV19	4	CLEAT FOR DV14
ACDV23	32	CLEAT FOR DV23
ACDV225 or 226	2	SHOOTBOLT HANDLE
ACDV227	2	SHOOTBOLT GEARBOX
ACDV228	2 (PAIRS)	SHOOTBOLT ROD
ACDV229	4	SHOOTBOLT GUIDE
ACDV230	2	SHOOTBOLT COVER
ACDV331	16	INTERMEDIATE HINGE
ACDV232	1	BOTTOM ROLLER HINGE
ACDV233	1	TOP GUIDE HINGE
ACDV234	2	D-HANDLE/HINGE
ACDV272	4 x (W-62) 18 x (H-62)	SEALING GASKET (cut to fit)
ACDV275	4	CORNER MOULDS
ACDV380	1	DV32 BOTTOM ROLLER
ACDV381	1	DV32 TOP GUIDE
ACDV282	8	WOOLPILE CARRIER
ACDV56	1 (PAIR)	END CAP FOR DV56
ACET060	27	SCREW FOR DV56 & ACDV282
ACET133	4	SCREW FOR ACDV225/6
ACET131	2	DRAIN HOLE COVER
ACMX01604 (SL)	2	HALF CYLINDER
ACSR012A	2 x (W-90) + 2 x (H-90)	WOOLPILE
ACSR012A	4 x 47mm	WOOLPILE FOR ACDV282
ACVG31	8 x (W/4-139) + 8 x (H-181)	EXTERNAL GLAZING GASKET
ACVG34	8 x (W/4-139) + 8 x (H-181)	INTERNAL GLAZING GASKET
ACVL032	1 x (H-84)	DV56 FLIPPER GASKET
ACW20024	4	CHEVRON FOR DV14

Type 3e



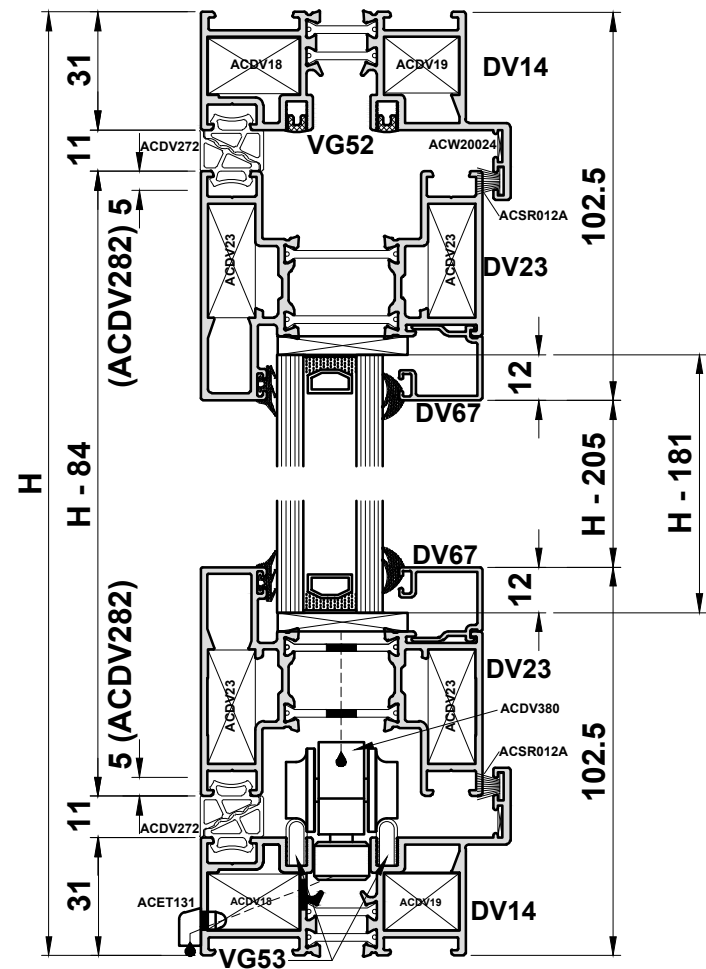
NOTE:
Design Type 3e does not offer external access or an individual traffic door.

IMPORTANT NOTE:
Min. Sash Width 700mm / Max. Sash Width 1200mm
Max. Sash Weight 100kg
Max. Sash Height 2500mm Dependant On Site Conditions
Always Measure In the Last Vent.



Do Not Scale From This Drawing

Cutting Information



PROFILE CUTTING SCHEDULE

DV14		2		W
DV14		2		H
DV23		8		W/4 - 32
DV23		8		H-84
Glazing Bead		8		W/4-119.5
Glazing Bead		8		H-205
DV68		2		H-84
DV76		2		H-84
VG52		2		W-62
VG52		4		H-62
VG53		2		W-62
PCX36		2		H-84

Note: PCX15 required for leaf heights over 2285mm.

GLASS SIZES	4 X	W/4 - 129.5
		H - 181

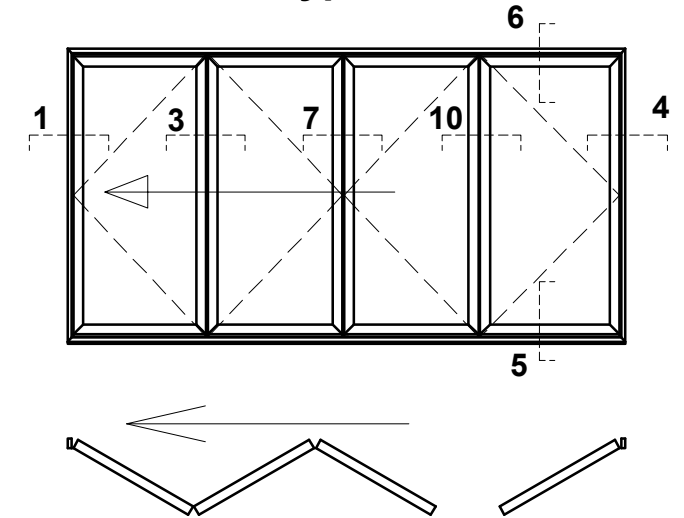
FOR ENHANCED WEATHER PERFORMANCE REPLACE ACDV244 FLIPPER GASKET WITH ACDV268 BUBBLE GASKET

ACCESSORIES

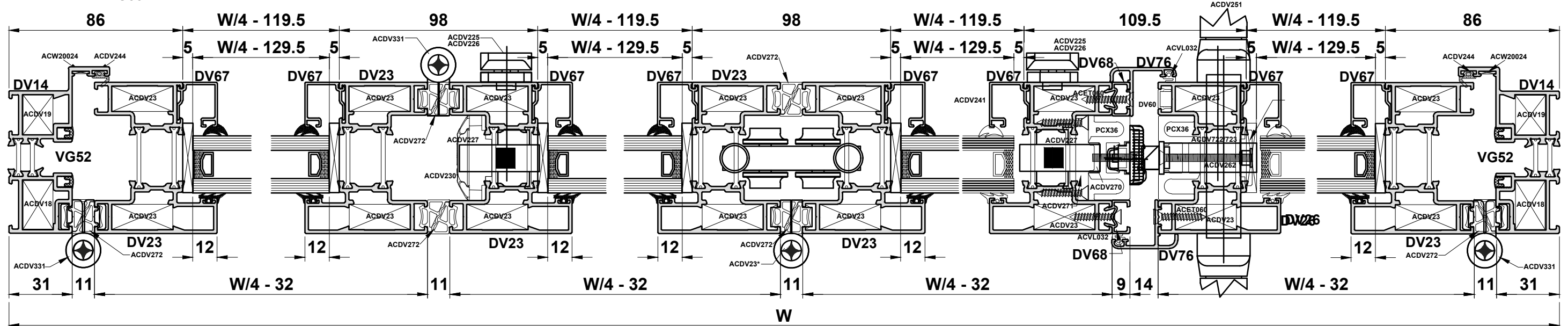
ACDV18	4	CLEAT FOR DV14
ACDV19	4	CLEAT FOR DV14
ACDV23	32	CLEAT FOR DV23
ACDV080	2	RUN UP BLOCK
ACDV225 or 226	2	SHOOTBOLT HANDLE
ACDV227	2	SHOOTBOLT GEARBOX
ACDV228	2 (PAIRS)	SHOOTBOLT ROD
ACDV229	4	SHOOTBOLT GUIDE
ACDV230	1	SHOOTBOLT COVER
ACDV331	13	INTERMEDIATE HINGE
ACDV232	1	BOTTOM ROLLER HINGE
ACDV233	1	TOP GUIDE HINGE
ACDV234	1	D-HANDLE/HINGE
ACDV241	11	FIXING BLOCK FOR LOCK
ACDV244	2 x (W-90) + 2 x (H-90)	FLIPPER GASKET
ACDV251	1 (PAIR)	LEVER HANDLES
ACDV258 (SL)	1	50/50 CYLINDER
ACDV262	11	SCREW FOR LOCK
ACDV264	15	SCREW FOR KEEPS
ACDV270	11	FIXING PLATE FOR KEEPS
ACDV271	11	PACKER FOR PCX36
ACDV272	4 x (W-62) 12 x (H-62)	SEALING GASKET (cut to fit)
ACDV275	4	CORNER MOULDS
ACDV76	2 (PAIRS)	END CAP FOR DV76
ACDV722/23	1	MULTI-POINT LOCK
ACET060	55	SCREW FOR DV68/DV76
ACET133	4	SCREW FOR ACDV225/6
ACET131	2	DRAIN HOLE COVER
ACMX01604 (SL)	1	HALF CYLINDER
ACVG31	8 x (W/4-130) + 8 x (H-181)	EXTERNAL GLAZING GASKET
ACVG34	8 x (W/4-130) + 8 x (H-181)	INTERNAL GLAZING GASKET
ACVL032	2 x (H-84)	DV76 FLIPPER GASKET
ACW20024	4	CHEVRON FOR DV14

+ Optional: 1 x ACDV308 Magnetic Catch

Type 4e

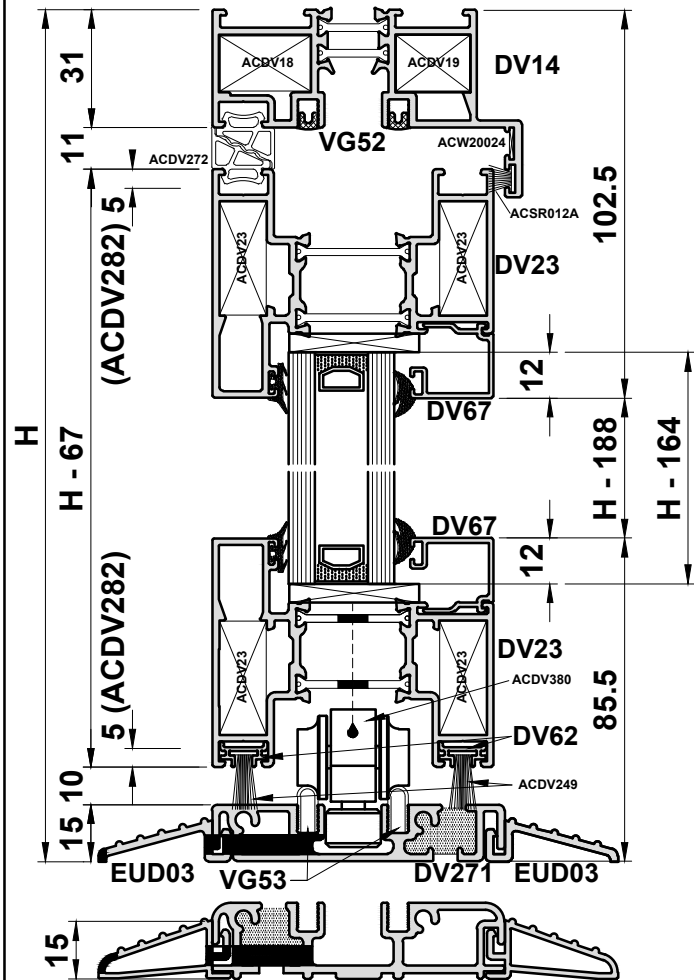


IMPORTANT NOTE:
Min. Sash Width 700mm / Max. Sash Width 1200mm
Max. Sash Weight 100kg
Max. Sash Height 2500mm Dependant On Site Conditions
Always Measure In the Last Vent.



Do Not Scale From This Drawing

Cutting Information



PROFILE CUTTING SCHEDULE

DV14		1		W
DV14		2		H
DV271		1		W-66
EUD03		1		W-66
EUD03		1		W-99
DV23		8		W/4-53
DV23		8		H-67
DV32		2		H-77
DV56		2		H-67
DV62		2		W/4-67
DV62		6		W/4-81
Glazing Bead		8		W/4-140
Glazing Bead		8		H-188
VG52		2		W-62
VG52		4		H-46
VG53		2		W-62

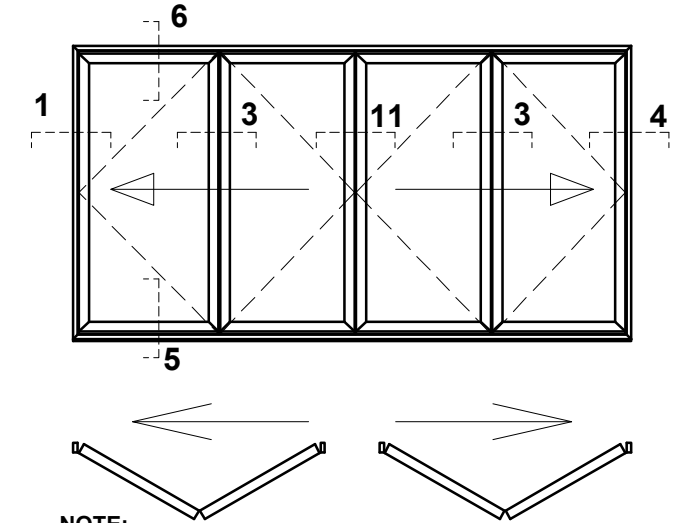
PROFILE CUTTING SCHEDULE (DV173)

DV173		1		W-66
DV174		1		W-66
DV174		1		W-99
DV23		8		H-72
DV32		2		H-82
DV56		2		H-72
Glazing Bead		8		H-193

ACCESSORIES

ACDV18	2	CLEAT FOR DV14
ACDV19	2	CLEAT FOR DV14
ACDV23	32	CLEAT FOR DV23
ACDV271/173	2	THRESHOLD ENDCAP
ACDV225 or 226	2	SHOOTBOLT HANDLE
ACDV227	2	SHOOTBOLT GEARBOX
ACDV228	2 (PAIRS)	SHOOTBOLT ROD
ACDV229	4	SHOOTBOLT GUIDE
ACDV230	2	SHOOTBOLT COVER
ACDV331	22	INTERMEDIATE HINGE
ACDV234	2	D-HANDLE/HINGE
ACDV242	2	END CAP FOR DV32
ACDV249	8 x (W/4-41) + 4 x (42)	WOOLPILE
ACDV254	8 (PAIRS)	INFILL BLOCK
ACDV272	4 x (W-62) 20 x (H-62)	SEALING GASKET (cut to fit)
ACDV275	4	CORNER MOULDS
ACDV380	2	DV32 BOTTOM ROLLER
ACDV381	2	DV32 TOP GUIDE
ACDV282	8	WOOLPILE CARRIER
ACDV56	2 (PAIRS)	END CAP FOR DV56
ACDR052	4	SCREWS FOR THRESHOLD
ACET060	26	SCREW FOR DV56 & HINGE
ACET133	4	SCREW FOR ACDV225/6
ACMX01604 (SL)	2	HALF CYLINDER
ACSR012A	1 x (W-90) + 2 x (H-65)	FLIPPER GASKET
ACSR012A	2 x 47mm	WOOLPILE FOR ACDV282
ACDV249	2 x 47mm	WOOLPILE FOR ACDV282
ACVG31	8 x (W/4-150) + 8 x (H-164)	EXTERNAL GLAZING GASKET
ACVG34	8 x (W/4-150) + 8 x (H-164)	INTERNAL GLAZING GASKET
ACVL032	2 x (H-84)	DV56 FLIPPER GASKET
ACW20024	2	CHEVRON FOR DV14

Type 5e



NOTE:

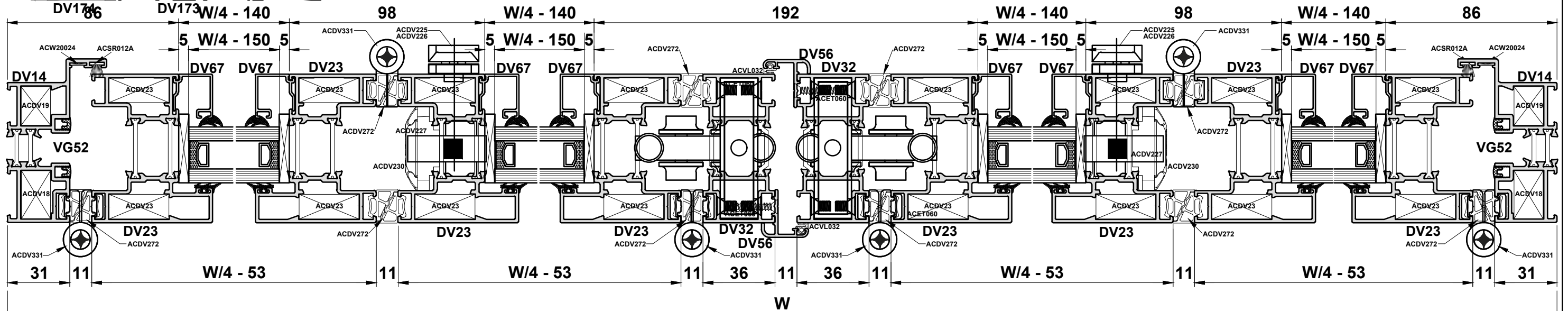
Design Type 5e does not offer external access or an individual traffic door.

IMPORTANT NOTE:

Min. Sash Width 700mm / Max. Sash Width 1200mm
Max. Sash Weight 100kg
Max. Sash Height 2500mm Dependant On Site Conditions
Always Measure In the Last Vent.

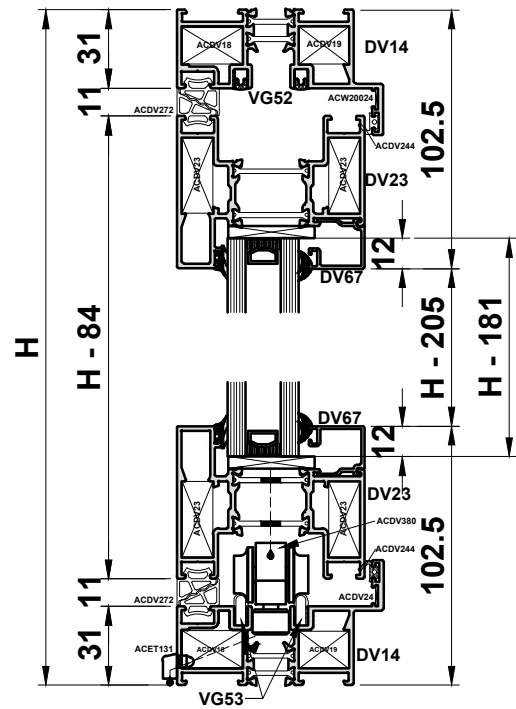
GLASS DEDUCTIONS

DV271	4 x	W/4 - 150	H - 164
DV173	4 x	W/4 - 150	H - 169



Do Not Scale From This Drawing

Cutting Information



PROFILE CUTTING SCHEDULE

DV14		2		W
DV14		2		H
DV23		10		W/5 - 26.5
DV23		10		H-84
Glazing Bead		10		W/5-113
Glazing Bead		10		H-205
DV60		1		H-46
DV76		1		H-84
VG52		2		W-62
VG52		4		H-62
VG53		2		W-62
PCX36		1		H-84

Note: PCX15 required for leaf heights over 2285mm.

GLASS SIZES	5 X	W/5 - 123
		H - 181

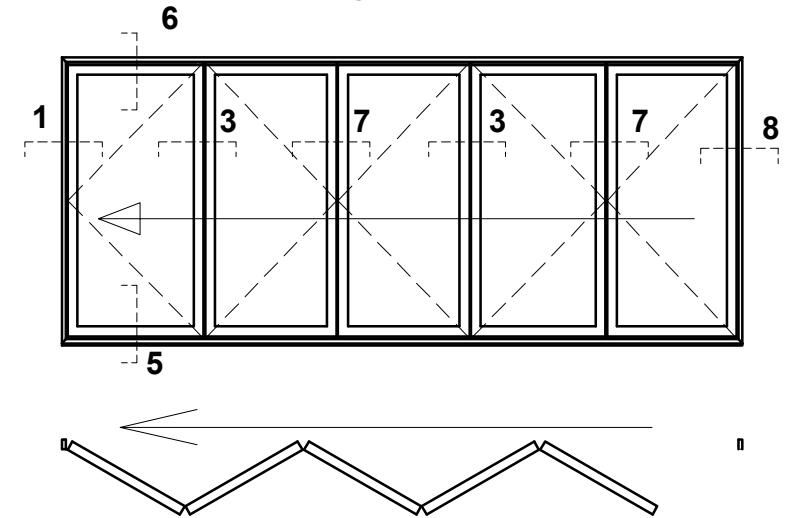
FOR ENHANCED WEATHER PERFORMANCE REPLACE ACDV244 FLIPPER GASKET WITH ACDV268 BUBBLE GASKET

ACCESSORIES

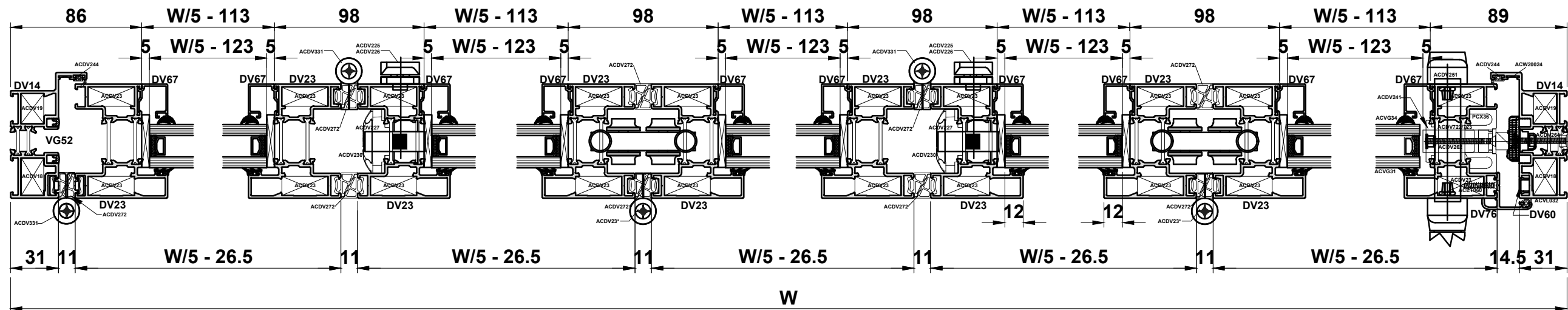
ACDV18	4	CLEAT FOR DV14
ACDV19	4	CLEAT FOR DV14
ACDV23	40	CLEAT FOR DV23
ACDV080	1	RUN UP BLOCK
ACDV225 or 226	2	SHOOTBOLT HANDLE
ACDV227	2	SHOOTBOLT GEARBOX
ACDV228	2 (PAIR)	SHOOTBOLT ROD
ACDV229	4	SHOOTBOLT GUIDE
ACDV230	2	SHOOTBOLT COVER
ACDV331	14	INTERMEDIATE HINGE
ACDV232	2	BOTTOM ROLLER HINGE
ACDV233	2	TOP GUIDE HINGE
ACDV234	2	D-HANDLE/HINGE
ACDV241	11	FIXING BLOCK FOR LOCK
ACDV244	2 x (W-90) + 2 x (H-90)	FLIPPER GASKET
ACDV251	1 (PAIR)	LEVER HANDLES
ACDV258 (SL)	1	50/50 CYLINDER
ACDV262	11	SCREW FOR LOCK
ACDV264	11	SCREW FOR KEEPS
ACDV272	4 x (W-62) + 18 x (H-62)	SEALING GASKET (cut to fit)
ACDV275	5	CORNER MOULDS
ACDV76	1 (PAIR)	END CAP FOR DV76
ACDV722/23	1	MULTI-POINT LOCK
ACET060	11	SCREW FOR DV76
ACET133	4	SCREW FOR ACDV225/6
ACMX01604 (SL)	2	HALF CYLINDER
ACDV523	11	FIXING BLOCK FOR KEEPS
ACVG31	10 x (W/5-123) + 10 x (H-181)	EXTERNAL GLAZING GASKET
ACVG34	10 x (W/5-123) + 10 x (H-181)	INTERNAL GLAZING GASKET
ACVL032	1 x (H-84)	DV76 FLIPPER GASKET
ACW20024	4	CHEVRON FOR DV14

+ Optional: 1 x ACDV308 Magnetic Catch

Type 6e



IMPORTANT NOTE:
Min. Sash Width 700mm / Max. Sash Width 1200mm
Max. Sash Weight 100kg
Max. Sash Height 2500mm Dependant On Site Conditions
Always Measure In the Last Vent.



Do Not Scale From This Drawing

Cutting Information

PROFILE CUTTING SCHEDULE

DV14		1		W
DV14		2		H
DV271		1		W-66
EUD03		1		W-66
EUD03		1		W-99
DV23		10		W/5-26.5
DV23		10		H-67
DV60		1		H-46
DV62		3		W/5-33
DV62		7		W/5-39.5
Glazing Bead		10		W/5-123
Glazing Bead		10		H-188
DV76		1		H-67
VG52		2		W-62
VG52		4		H-46
VG53		2		W-62
PCX36		1		H-67

PROFILE CUTTING SCHEDULE (DV173)

DV173		1		W-66
DV174		1		W-66
DV174		1		W-99
DV23		10		H-72
Glazing Bead		10		H-159
Glazing Bead		10		H-193
DV76		1		H-72
PCX36		1		H-72

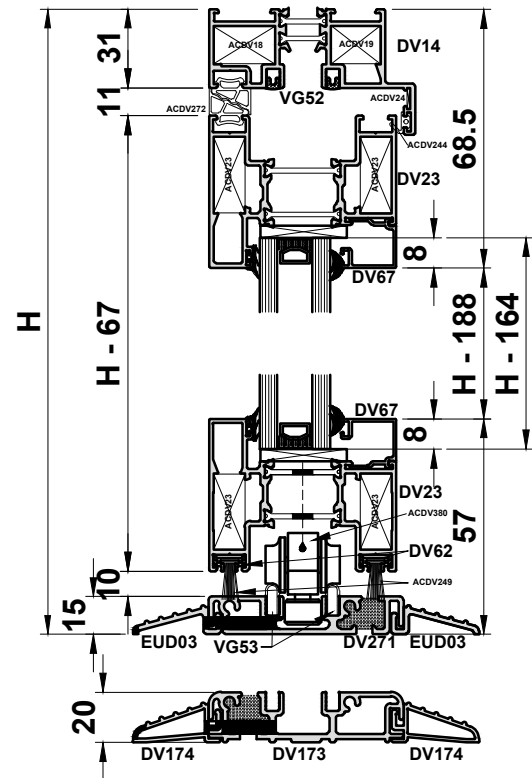
Note: PCX15 required for leaf heights over 2285mm.

FOR ENHANCED WEATHER PERFORMANCE REPLACE ACDV244 FLIPPER GASKET WITH ACDV268 BUBBLE GASKET

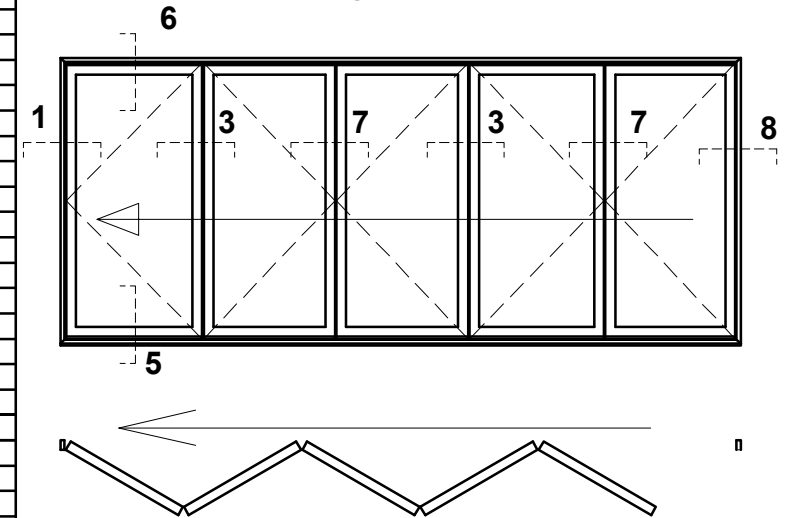
ACCESSORIES

ACDV18	4	CLEAT FOR DV14
ACDV19	4	CLEAT FOR DV14
ACDV23	40	CLEAT FOR DV23
ACDV271/173	2	THRESHOLD ENDCAP
ACDV225 or 226	2	SHOOTBOLT HANDLE
ACDV227	2	SHOOTBOLT GEARBOX
ACDV228	2 (PAIR)	SHOOTBOLT ROD
ACDV229	4	SHOOTBOLT GUIDE
ACDV230	2	SHOOTBOLT COVER
ACDV331	14	INTERMEDIATE HINGE
ACDV232	2	BOTTOM ROLLER HINGE
ACDV233	2	TOP GUIDE HINGE
ACDV234	2	D-HANDLE/HINGE
ACDV241	11	FIXING BLOCK FOR LOCK
ACDV244	1 x (W-90) + 2 x (H-60)	FLIPPER GASKET
ACDV249	10 x (W/5-26)	WOOLPILE
ACDV251	1 (PAIR)	LEVER HANDLES
ACDV254	10 (PAIRS)	INFILL BLOCK
ACDV258 (SL)	1	50/50 CYLINDER
ACDV262	11	SCREW FOR LOCK
ACDV264	11	SCREW FOR KEEPS
ACDV272	2 x (W-62) + 18 x (H-62)	SEALING GASKET (cut to fit)
ACDV275	5	CORNER MOULDS
ACDV76	1 (PAIR)	END CAP FOR DV56
ACDV722/23	1	MULTI-POINT LOCK
ACDR052	4	SCREWS FOR THRESHOLD
ACET060	11	SCREW FOR DV76
ACET133	4	SCREW FOR ACDV225/6
ACMX01604 (SL)	2	HALF CYLINDER
ACDV523	11	FIXING BLOCK FOR KEEPS
ACVG31	10 x (W/5-123) + 10 x (H-164)	EXTERNAL GLAZING GASKET
ACVG34	10 x (W/5-123) + 10 x (H-164)	INTERNAL GLAZING GASKET
ACVL032	1 x (H-67)	DV56 FLIPPER GASKET
ACW20024	4	CHEVRON FOR DV14

+ Optional: 1 x ACDV308 Magnetic Catch



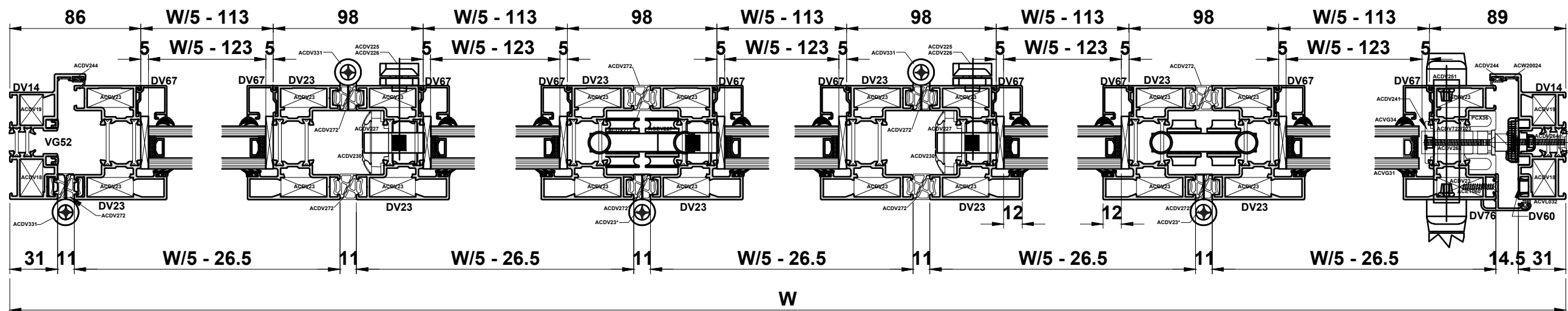
Type 6e



IMPORTANT NOTE:
Min. Sash Width 700mm / Max. Sash Width 1200mm
Max. Sash Weight 100kg
Max. Sash Height 2500mm Dependant On Site Conditions
Always Measure In the Last Vent.

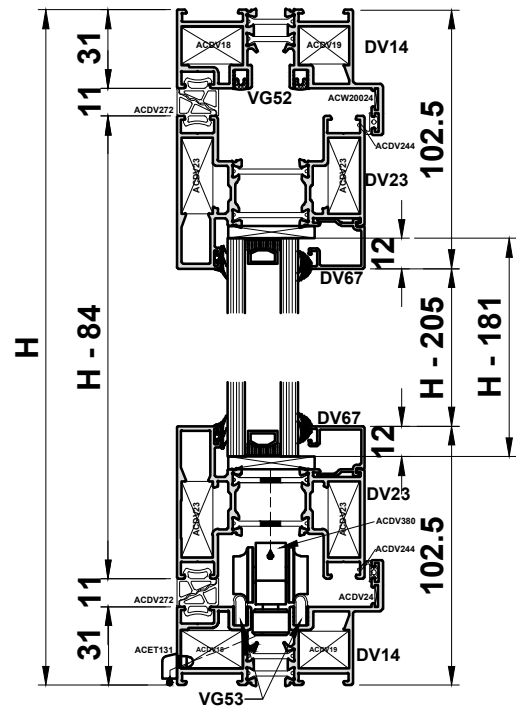
GLASS DEDUCTIONS

DV271	5 x	W/5 - 123	H - 164
DV173	5 x	W/5 - 123	H - 169



Do Not Scale From This Drawing

Cutting Information



PROFILE CUTTING SCHEDULE

DV14		2		W
DV14		2		H
DV23		12		W/6 - 25
DV23		12		H-84
DV60		1		H-62
DV68		2		H-84
Glazing Bead		12		W/6-112
Glazing Bead		12		H-205
DV76		2		H-84
VG52		2		W-62
VG52		4		H-62
VG53		2		W-62
PCX36		2		H-84

Note: PCX15 required for leaf heights over 2285mm.

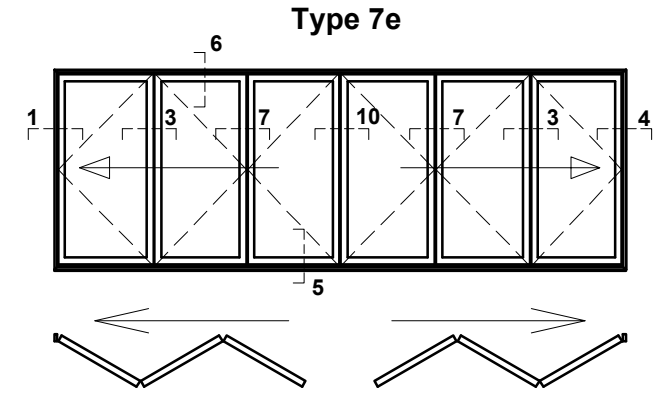
GLASS SIZES	6 X	W/6 - 122
		H - 181

FOR ENHANCED WEATHER PERFORMANCE REPLACE ACDV244 FLIPPER GASKET WITH ACDV268 BUBBLE GASKET

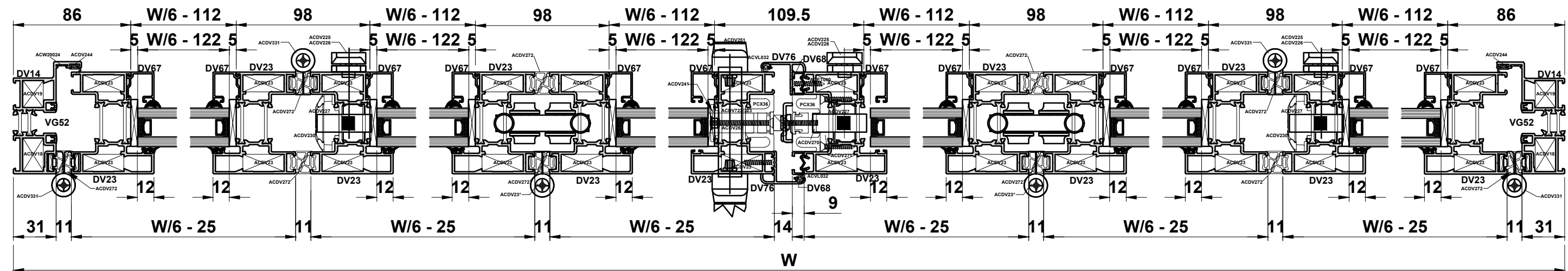
ACCESSORIES

ACDV18	4	CLEAT FOR DV14
ACDV19	4	CLEAT FOR DV14
ACDV23	48	CLEAT FOR DV23
ACDV080	2	RUN UP BLOCK
ACDV225 or 226	3	SHOOTBOLT HANDLE
ACDV227	3	SHOOTBOLT GEARBOX
ACDV228	3 (PAIRS)	SHOOTBOLT ROD
ACDV229	6	SHOOTBOLT GUIDE
ACDV230	2	SHOOTBOLT COVER
ACDV331	18	INTERMEDIATE HINGE
ACDV232	2	BOTTOM ROLLER HINGE
ACDV233	2	TOP GUIDE HINGE
ACDV234	2	D-HANDLE/HINGE
ACDV241	11	FIXING BLOCK FOR LOCK
ACDV244	2 x (W-90) + 2 x (H-90)	FLIPPER GASKET
ACDV251	1 (PAIR)	LEVER HANDLES
ACDV258 (SL)	1	50/50 CYLINDER
ACDV262	11	SCREW FOR LOCK
ACDV264	15	SCREW FOR KEEPS
ACDV270	11	FIXING PLATE FOR KEEPS
ACDV271	11	PACKER FOR PCX36
ACDV272	4 x (W-62) + 20 x (H-62)	SEALING GASKET (cut to fit)
ACDV275	6	CORNER MOULDS
ACDV76	2 (PAIRS)	END CAP FOR DV76
ACDV722/23	1	MULTI-POINT LOCK
ACET060	44	SCREW FOR DV68 & DV76
ACET133	6	SCREW FOR ACDV225/6
ACET131	4	DRAIN HOLE COVER
ACMX01604 (SL)	3	HALF CYLINDER
ACVG31	12 x (W/6-122) + 12 x (H-181)	EXTERNAL GLAZING GASKET
ACVG34	12 x (W/6-122) + 12 x (H-181)	INTERNAL GLAZING GASKET
ACVL032	2 x (H-84)	DV76 FLIPPER GASKET
ACW20024	4	CHEVRON FOR DV14

+ Optional: 2 x ACDV308 Magnetic Catch



IMPORTANT NOTE:
Min. Sash Width 700mm / Max. Sash Width 1200mm
Max. Sash Weight 100kg
Max. Sash Height 2500mm Dependant On Site Conditions
Always Measure In the Last Vent.



Do Not Scale From This Drawing

Cutting Information

PROFILE CUTTING SCHEDULE

DV14		1		W
DV14		2		H
DV271		1		W-66
EUD03		1		W-66
EUD03		1		W-99
DV23		12		W/6-25
DV23		12		H-67
DV60		1		H-46
DV62		6		W/6-31.5
DV62		6		W/6-38
Glazing Bead		12		W/6-112
Glazing Bead		12		H-188
DV68		2		H-67
DV76		2		H-67
VG52		2		W-62
VG52		4		H-46
VG53		2		W-62
PCX36		2		H-67

PROFILE CUTTING SCHEDULE (DV173)

DV173		1		W-66
DV174		1		W-66
DV174		1		W-99
DV23		12		H-72
DV68		2		H-72
DV76		2		H-72
Glazing Bead		12		H-193
PCX36		2		H-72

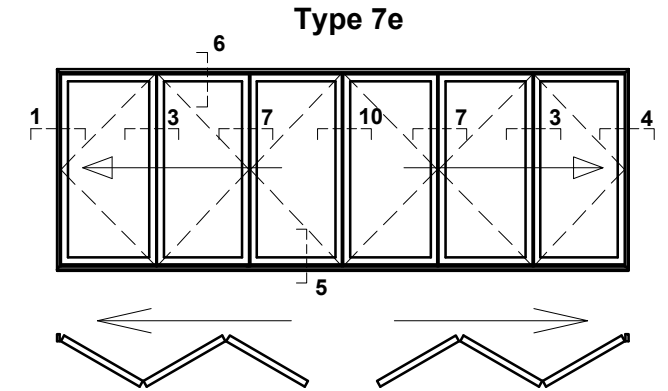
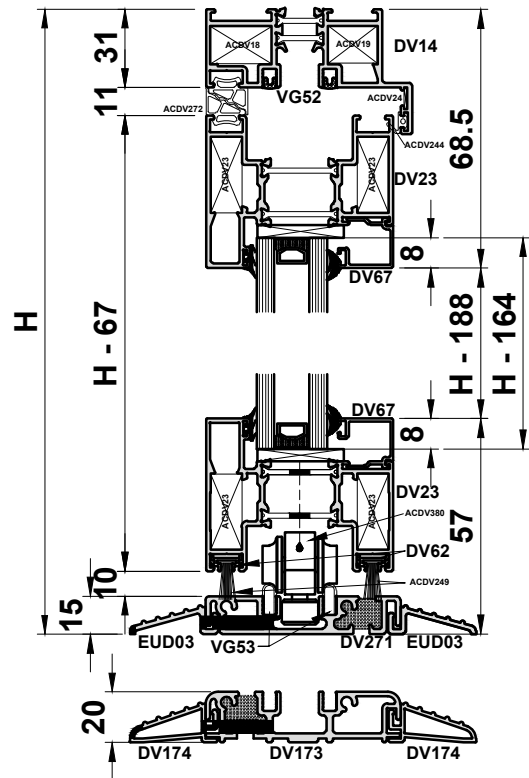
Note: PCX15 required for leaf heights over 2285mm.

FOR ENHANCED WEATHER PERFORMANCE REPLACE ACDV244 FLIPPER GASKET WITH ACDV268 BUBBLE GASKET

ACCESSORIES

ACDV18	2	CLEAT FOR DV14
ACDV19	2	CLEAT FOR DV14
ACDV23	48	CLEAT FOR DV23
ACDV271/173	2	THRESHOLD ENDCAP
ACDV225 or 226	3	SHOOTBOLT HANDLE
ACDV227	3	SHOOTBOLT GEARBOX
ACDV228	3 (PAIRS)	SHOOTBOLT ROD
ACDV229	6	SHOOTBOLT GUIDE
ACDV230	2	SHOOTBOLT COVER
ACDV331	18	INTERMEDIATE HINGE
ACDV232	2	BOTTOM ROLLER HINGE
ACDV233	2	TOP GUIDE HINGE
ACDV234	2	D-HANDLE/HINGE
ACDV241	11	FIXING BLOCK FOR LOCK
ACDV244	1 x (W-90) + 2 x (H-65)	FLIPPER GASKET
ACDV249	12 x (W/6-25)	WOOLPILE
ACDV251	1 (PAIR)	LEVER HANDLES
ACDV254	12 (PAIRS)	INFILL BLOCKS
ACDV258 (SL)	1	50/50 CYLINDER
ACDV262	11	SCREW FOR LOCK
ACDV264	15	SCREW FOR KEEPS
ACDV270	11	FIXING PLATE FOR KEEPS
ACDV271	11	PACKER FOR PCX36
ACDV272	2 x (W-62) + 20 x (H-62)	SEALING GASKET (cut to fit)
ACDV275	6	CORNER MOULDS
ACDV76	2 (PAIRS)	END CAP FOR DV76
ACDV722/23	1	MULTI-POINT LOCK
ACDR052	4	SCREWS FOR THRESHOLD
ACET060	44	SCREW FOR DV68 & DV76
ACET133	6	SCREW FOR ACDV225/6
ACMX01604 (SL)	3	HALF CYLINDER
ACVG31	12 x (W/6-122) + 122 x (H-164)	EXTERNAL GLAZING GASKET
ACVG34	12 x (W/6-122) + 122 x (H-164)	INTERNAL GLAZING GASKET
ACVL032	2 x (H-84)	DV76 FLIPPER GASKET
ACW20024	2	CHEVRON FOR DV14
ACDV292	1	BRUSH PILE CARRIER

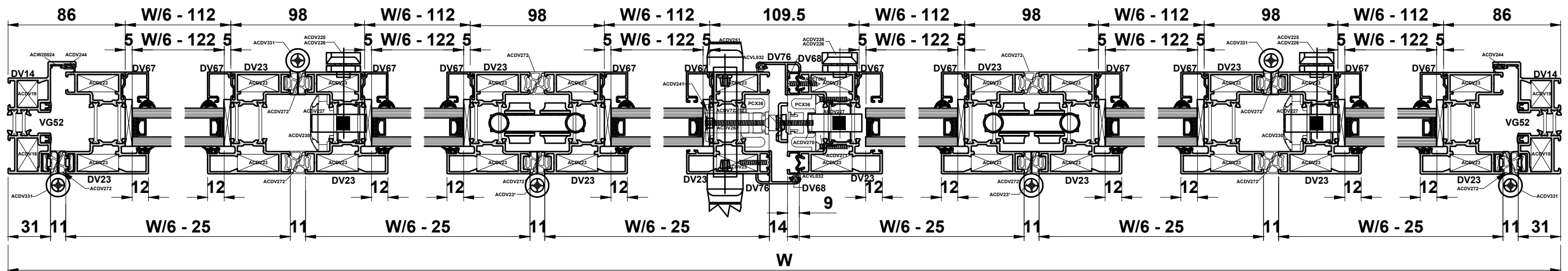
+ Optional: 2 x ACDV308 Magnetic Catch



IMPORTANT NOTE:
Min. Sash Width 700mm / Max. Sash Width 1200mm
Max. Sash Weight 100kg
Max. Sash Height 2500mm Dependant On Site Conditions
Always Measure In the Last Vent.

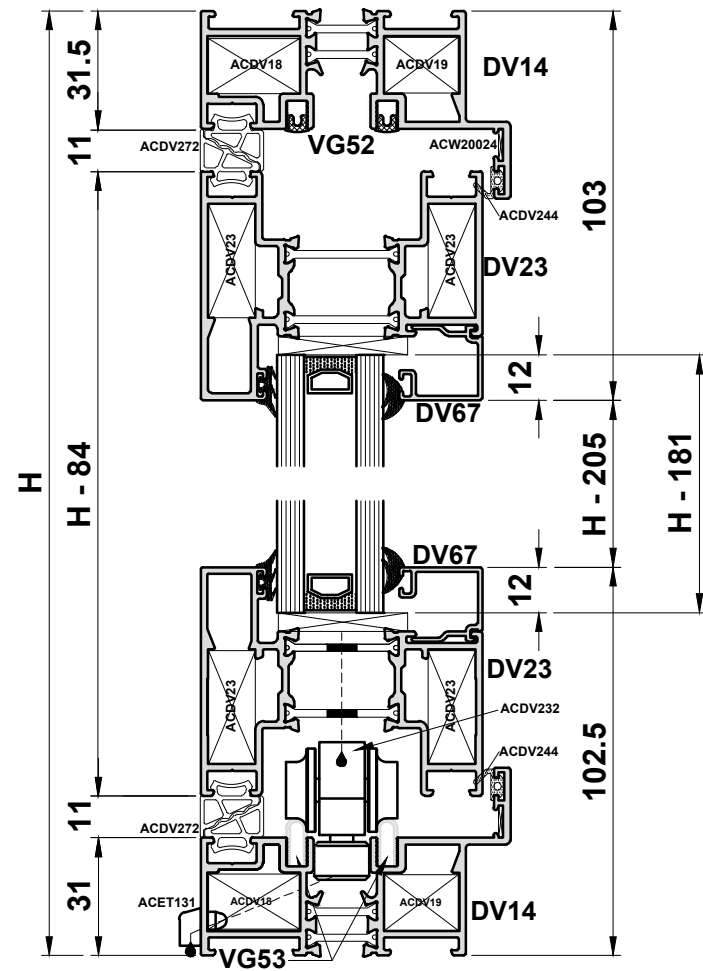
GLASS DEDUCTIONS

DV271	6 x	W/6 - 122	H - 164
DV173	6 x	W/6 - 122	H - 169



Do Not Scale From This Drawing

Cutting Information



PROFILE CUTTING SCHEDULE

DV14		2		W
DV14		2		H
DV23		6		W/3-47
DV23		6		H-84
DV76		1		H-84
Glazing Bead		6		W/3-134
Glazing Bead		6		H-205
DV60		1		H-62
DV551		2		H-62
DV552		1		H-69
VG52		2		W-97
VG52		4		H-62
VG53		2		W-97
PCX36		1		H-84

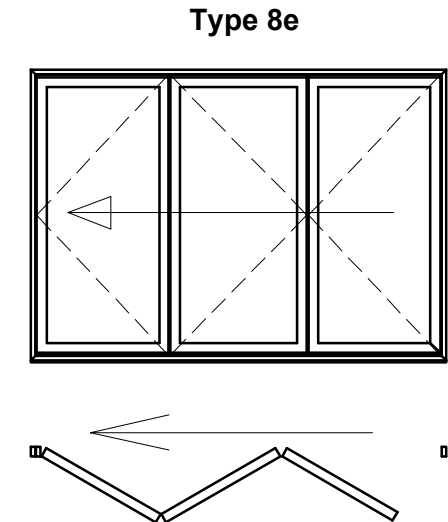
ACCESSORIES

ACDV18	4	CLEAT FOR DV14
ACDV19	4	CLEAT FOR DV14
ACDV23	24	CLEAT FOR DV23
ACDV080	1	RUN UP BLOCK
ACDV225 or 226	1	SHOOTBOLT HANDLE
ACDV227	1	SHOOTBOLT GEARBOX
ACDV228	1 (PAIR)	SHOOTBOLT ROD
ACDV229	2	SHOOTBOLT GUIDE
ACDV230	1	SHOOTBOLT COVER
ACDV331	9	INTERMEDIATE HINGE
ACDV232	1	BOTTOM ROLLER HINGE
ACDV233	1	TOP GUIDE HINGE
ACDV234	1	D-HANDLE/HINGE
ACDV241	11	FIXING BLOCK FOR LOCK
ACDV244	2 x (W-90) + 2 x (H-90)	FLIPPER GASKET
ACDV251	1 (PAIR)	LEVER HANDLES
ACDV258 (SL)	1	50/50 CYLINDER
ACDV262	11	SCREW FOR LOCK
ACDV264	11	SCREW FOR KEEPS
ACDV272	4 x (W-62) 12 x (H-62)	SEALING GASKET (cut to fit)
ACDV275	3	CORNER MOULDS
ACDV76	1 (PAIR)	END CAP FOR DV76
ACDV551	2 @ 300 Ctrs	ADJ. JAMB FIX SCREWS
ACDV553	DV552 End Caps	ADJ. JAMB FIX SCREWS
ACDV722/23	1	MULTI-POINT LOCK
ACET060	11	SCREW FOR DV76
ACET062	4 @ 300 Ctrs	NO.10 S/TAPPING CSK SCREW
ACET133	2	SCREW FOR ACDV225/6
ACET131	2	DRAIN HOLE COVER
ACMX01604 (SL)	1	HALF CYLINDER
ACSG023	11	FIXING BLOCK FOR KEEPS
ACVG31	6 x (W/3-133) + 6 x (H-181)	EXTERNAL GLAZING GASKET
ACVG34	6 x (W/3-133) + 6 x (H-181)	INTERNAL GLAZING GASKET
ACVL032	1 x (H-84)	DV76 FLIPPER GASKET
ACW20024	4	CHEVRON FOR DV14

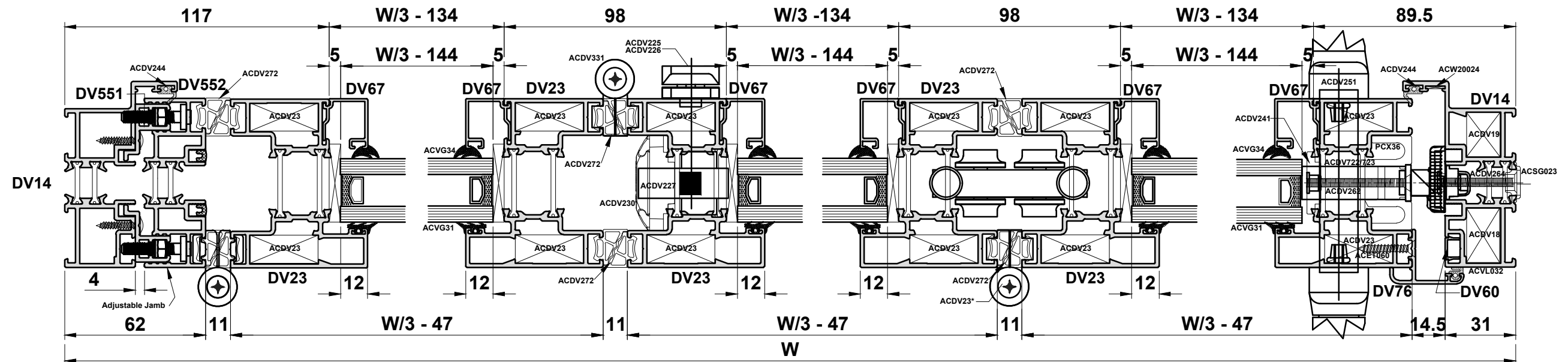
Note: PCX15 required for leaf heights over 2285mm.

GLASS SIZES	W/3 - 144
3 X	H - 181

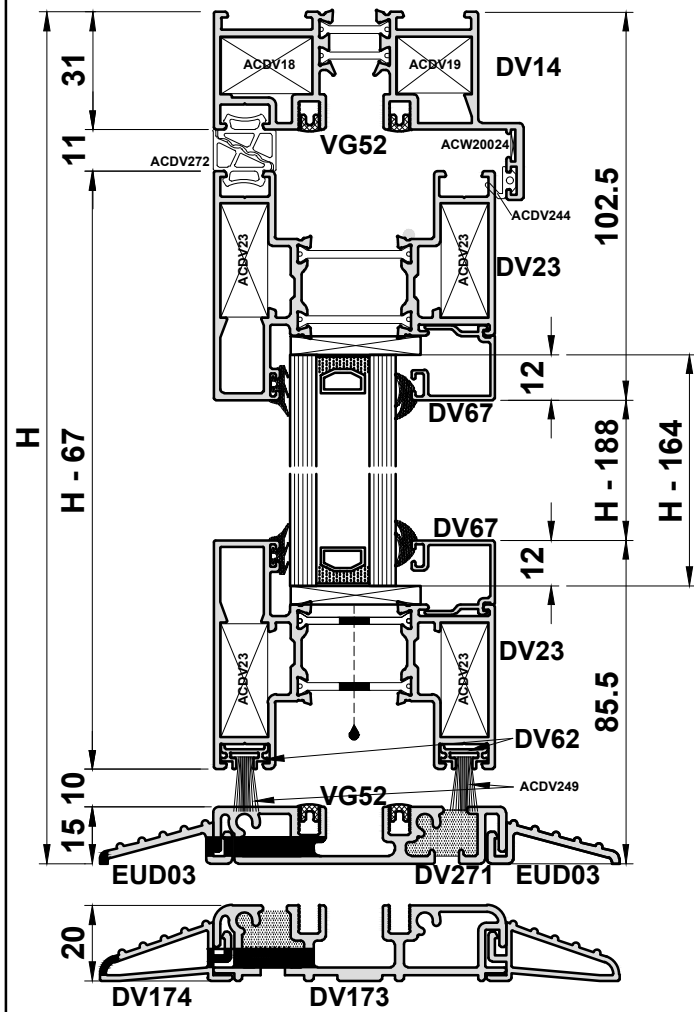
FOR ENHANCED WEATHER PERFORMANCE REPLACE ACDV244 FLIPPER GASKET WITH ACDV268 BUBBLE GASKET



IMPORTANT NOTE:
Min. Sash Width 700mm / Max. Sash Width 1200mm
Max. Sash Weight 100kg
Max. Sash Height 2500mm Dependant On Site Conditions
Always Measure In the Last Vent.



Do Not Scale From This Drawing



PROFILE CUTTING SCHEDULE

DV14		1		W
DV14		2		H
DV271		1		W-66
EUD03		1		W-66
EUD03		1		W-99
DV23		2		W-87.5
DV23		2		H-67
DV60		1		H-46
DV62		2		W-87
Glazing Bead		2		W-172
Glazing Bead		2		H-188
DV76		1		H-67
VG52		4		W-62
VG52		4		H-46
PCX36		1		H-67

PROFILE CUTTING SCHEDULE (DV173)

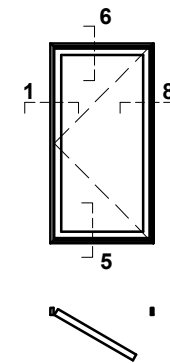
DV173		1		W-66
DV174		1		W-66
DV174		1		W-99
DV23		2		H-72
Glazing Bead		2		H-193
DV76		1		H-72
PCX36		1		H-72

Note: PCX15 required for leaf heights over 2285mm.

ACCESSORIES

ACDV18	2	CLEAT FOR DV14
ACDV19	2	CLEAT FOR DV14
ACDV23	8	CLEAT FOR DV23
ACDV271/173	2	THRESHOLD ENDCAP
ACDV331	4	INTERMEDIATE HINGE
ACDV241	11	FIXING BLOCK FOR LOCK
ACDV244	2 x (W-90) + 2 x (H-65)	FLIPPER GASKET
ACDV249	2 x (W-84)	WOOLPILE
ACDV251	1 (PAIR)	LEVER HANDLES
ACDV254	1 (PAIR)	INFILL BLOCK
ACDV258 (SL)	1	50/50 CYLINDER
ACDV262	11	SCREW FOR LOCK
ACDV264	11	SCREW FOR KEEPS
ACDV272	2 x (W-90) + 2 x (H-90)	SEALING GASKET
ACDV275	1	CORNER MOULDS
ACDV76	1 (PAIR)	END CAP FOR DV56
ACDV722/23	1	MULTI-POINT LOCK
ACDR052	4	SCREWS FOR THRESHOLD
ACET060	13	SCREW FOR DV76
ACDV523	11	FIXING BLOCK FOR KEEPS
ACVG31	2 x (W-181) + 2 x (H-164)	EXTERNAL GLAZING GASKET
ACVG34	2 x (W-181) + 2 x (H-164)	INTERNAL GLAZING GASKET
ACVL032	1 x (H-84)	DV76 FLIPPER GASKET
ACW20024	2	CHEVRON FOR DV14

Single Door



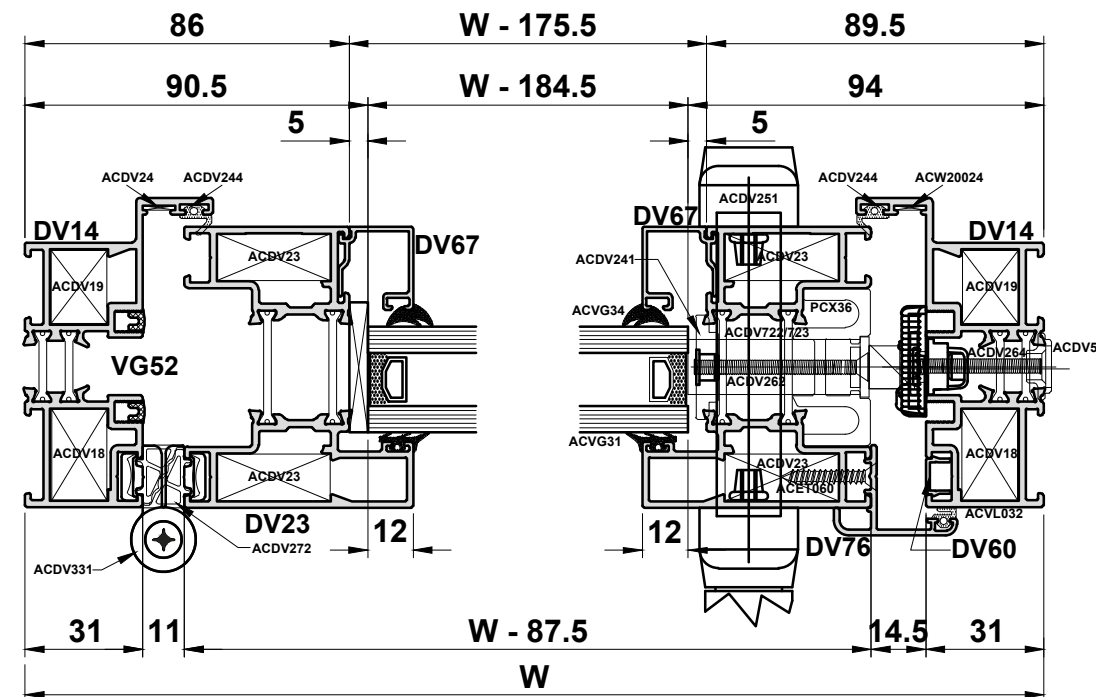
IMPORTANT NOTE:

Min. Sash Width 700mm / Max. Sash Width 1200mm
Max. Sash Weight 100kg
Max. Sash Height 2500mm Dependant On Site Conditions
Always Measure In the Last Vent.

GLASS DEDUCTIONS

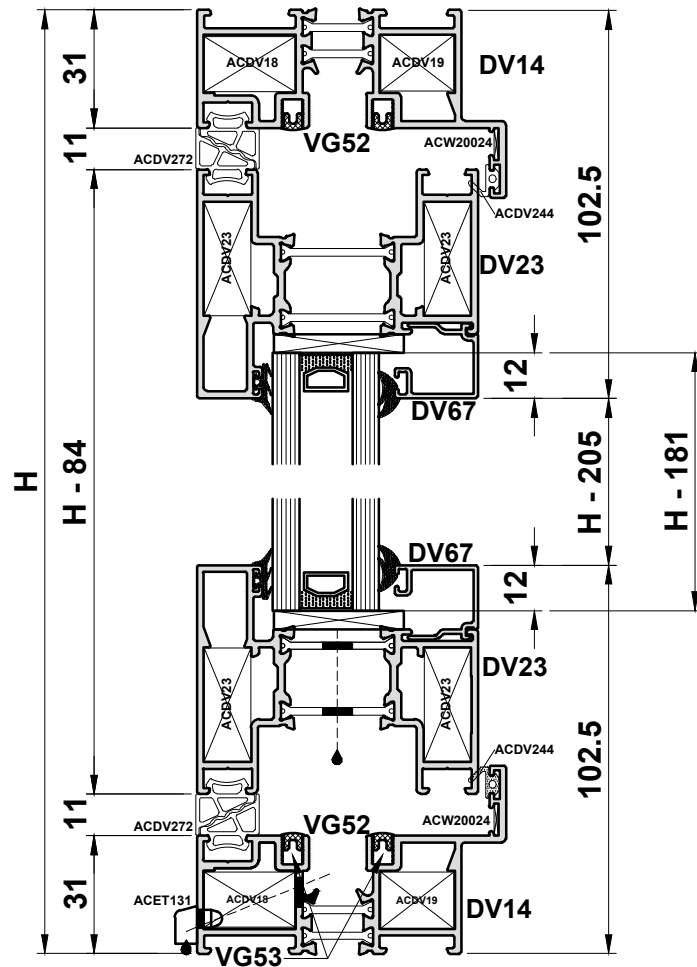
DV271	1 x	W - 184.5	H - 164
DV173	1 x	W - 184.5	H - 169

FOR ENHANCED WEATHER PERFORMANCE REPLACE ACDV244 FLIPPER GASKET WITH ACDV268 BUBBLE GASKET



Do Not Scale From This Drawing

Cutting Information



PROFILE CUTTING SCHEDULE

DV14		2		W
DV14		2		H
DV23		4		W/2 - 53.5
DV23		4		H-84
DV60		1		H-62
Glazing Bead		4		W/2-141
Glazing Bead		4		H-205
DV68		2		H-84
DV76		2		H-84
VG52		4		W-62
VG52		4		H-62
PCX36		2		H-84

Note: PCX15 required for leaf heights over 2285mm.

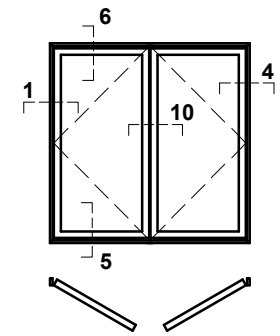
GLASS SIZES	W/2 - 151
2 X	H - 181

FOR ENHANCED WEATHER PERFORMANCE REPLACE ACDV244 FLIPPER GASKET WITH ACDV268 BUBBLE GASKET

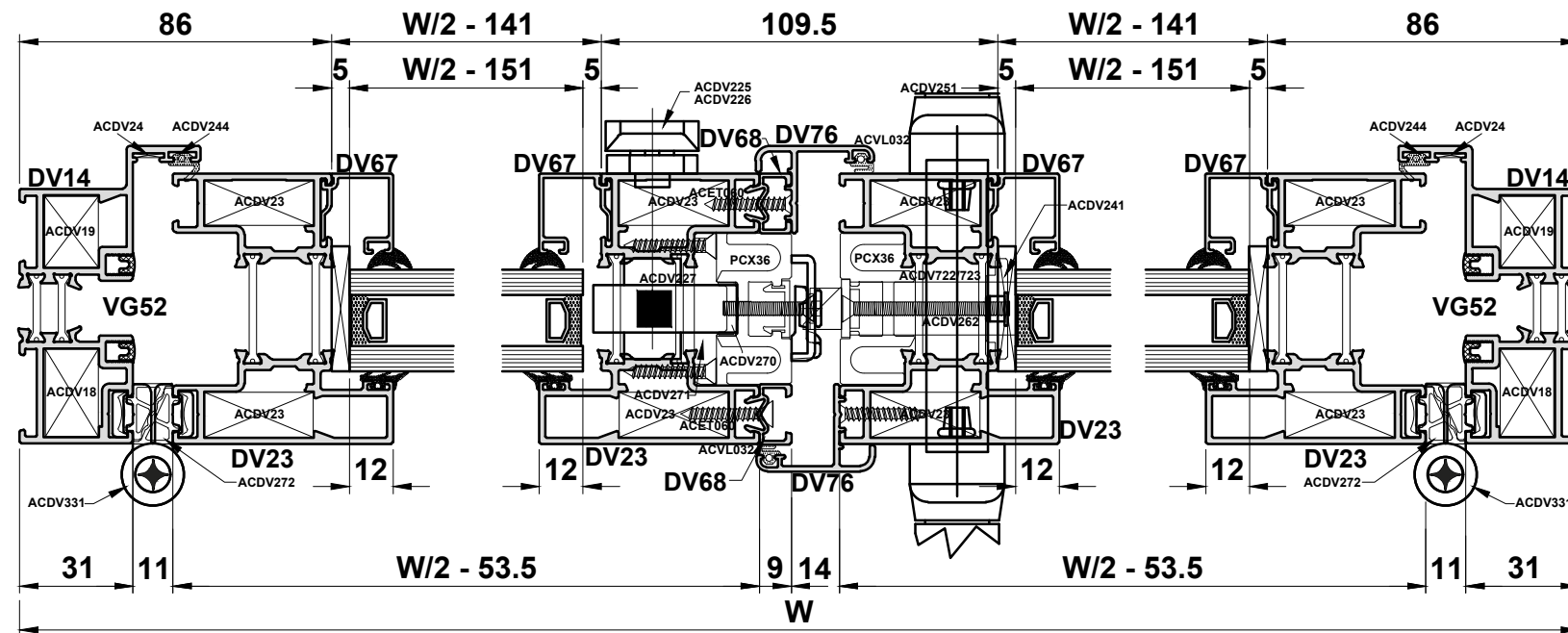
ACCESSORIES

ACDV18	4	CLEAT FOR DV14
ACDV19	4	CLEAT FOR DV14
ACDV23	16	CLEAT FOR DV23
ACDV080	2	RUN UP BLOCK
ACDV225 or 226	1	SHOOTBOLT HANDLE
ACDV227	1	SHOOTBOLT GEARBOX
ACDV228	1 (PAIR)	SHOOTBOLT ROD
ACDV229	2	SHOOTBOLT GUIDE
ACDV331	8	INTERMEDIATE HINGE
ACDV241	11	FIXING BLOCK FOR LOCK
ACDV244	2 x (W-90) + 2 x (H-90)	FLIPPER GASKET
ACDV251	1 (PAIR)	LEVER HANDLES
ACDV258 (SL)	1	50/50 CYLINDER
ACDV262	11	SCREW FOR LOCK
ACDV264	15	SCREW FOR KEEPS
ACDV270	9	FIXING PLATE FOR KEEPS
ACDV271	11	PACKER FOR PCX36
ACDV272	4 x (W-90) + 4 x (H-90)	SEALING GASKET
ACDV275	1	CORNER MOULDS
ACDV76	2 (PAIRS)	END CAP FOR DV76
ACDV722/23	1	MULTI-POINT LOCK
ACET060	55	SCREW FOR DV68 & DV76
ACET133	2	SCREW FOR ACDV225/6
ACET131	2	DRAIN HOLE COVER
ACMX01604 (SL)	1	HALF CYLINDER
ACVG31	2 x (W/2-141) + 4 x (H-181)	EXTERNAL GLAZING GASKET
ACVG34	2 x (W/2-141) + 4 x (H-181)	INTERNAL GLAZING GASKET
ACVL032	2 x (H-84)	DV76 FLIPPER GASKET
ACW20024	4	CHEVRON FOR DV14

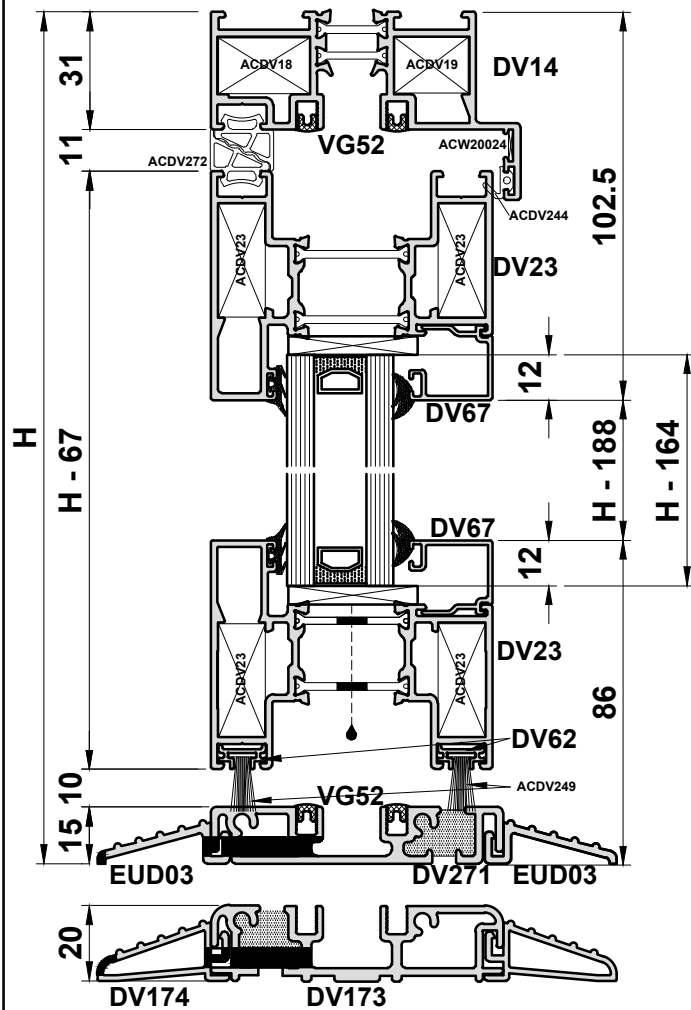
Double Swing Door



IMPORTANT NOTE:
Min. Sash Width 700mm / Max. Sash Width 1200mm
Max. Sash Weight 100kg
Max. Sash Height 2500mm Dependant On Site Conditions
Always Measure In the Last Vent.



Do Not Scale From This Drawing



PROFILE CUTTING SCHEDULE

DV14	1	W
DV14	2	H
DV271	1	W-66
EUD03	1	W-66
EUD03	1	W-99
DV23	4	W/2-53
DV23	4	H-67
DV56	2	H-67
DV60	1	H-46
DV62	4	W/2-67
Glazing Bead	4	W/2-140.5
Glazing Bead	4	H-188
DV68	2	H-67
VG52	4	W-62
VG52	4	H-46
PCX36	2	H-67

PROFILE CUTTING SCHEDULE (DV173)

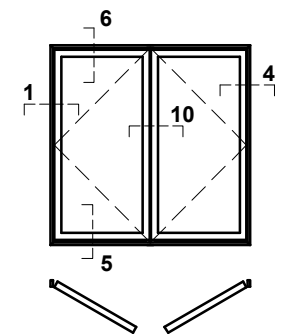
DV173	1	W-66
DV174	1	W-66
DV174	1	W-99
DV23	4	H-72
DV76	2	H-72
DV68	2	H-72
Glazing Bead	4	H-193
PCX36	2	H-72

Note: PCX15 required for leaf heights over 2285mm.

ACCESSORIES

ACDV18	2	CLEAT FOR DV14
ACDV19	2	CLEAT FOR DV14
ACDV23	16	CLEAT FOR DV23
ACDV271/173	2	THRESHOLD ENDCAP
ACDV225 or 226	1	SHOOTBOLT HANDLE
ACDV227	1	SHOOTBOLT GEARBOX
ACDV228	1 (PAIR)	SHOOTBOLT ROD
ACDV229	2	SHOOTBOLT GUIDE
ACDV331	8	INTERMEDIATE HINGE
ACDV241	11	FIXING BLOCK FOR LOCK
ACDV244	1 x (W-90) + 2 x (H-65)	FLIPPER GASKET
ACDV249	4 x (W/2-53)	WOOLPILE
ACDV251	1 (PAIR)	LEVER HANDLES
ACDV254	3 (PAIRS)	INFILL BLOCK
ACDV258 (SL)	1	50/50 CYLINDER
ACDV262	11	SCREW FOR LOCK
ACDV264	15	SCREW FOR KEEPS
ACDV270	9	FIXING PLATE FOR KEEPS
ACDV271	11	PACKER FOR PCX36
ACDV272	2 x (W-90) + 2 x (H-90)	SEALING GASKET
ACDV275	1	CORNER MOULDS
ACDV76	2 (PAIRS)	END CAP FOR DV76
ACDV722/23	1	MULTI-POINT LOCK
ACDR052	4	SCREWS FOR THRESHOLD
ACET060	91	SCREW FOR DV68 & DV76
ACET133	2	SCREW FOR ACDV225/6
ACMX01604 (SL)	1	HALF CYLINDER
ACVG31	2 x (W/2-141) + 4 x (H-181)	EXTERNAL GLAZING GASKET
ACVG34	2 x (W/2-141) + 4 x (H-181)	INTERNAL GLAZING GASKET
ACVL032	2 x (H-84)	DV56 FLIPPER GASKET
ACW20024	2	CHEVRON FOR DV14
ACDV292	1	BRUSH PILE CARRIER

Double Swing Door

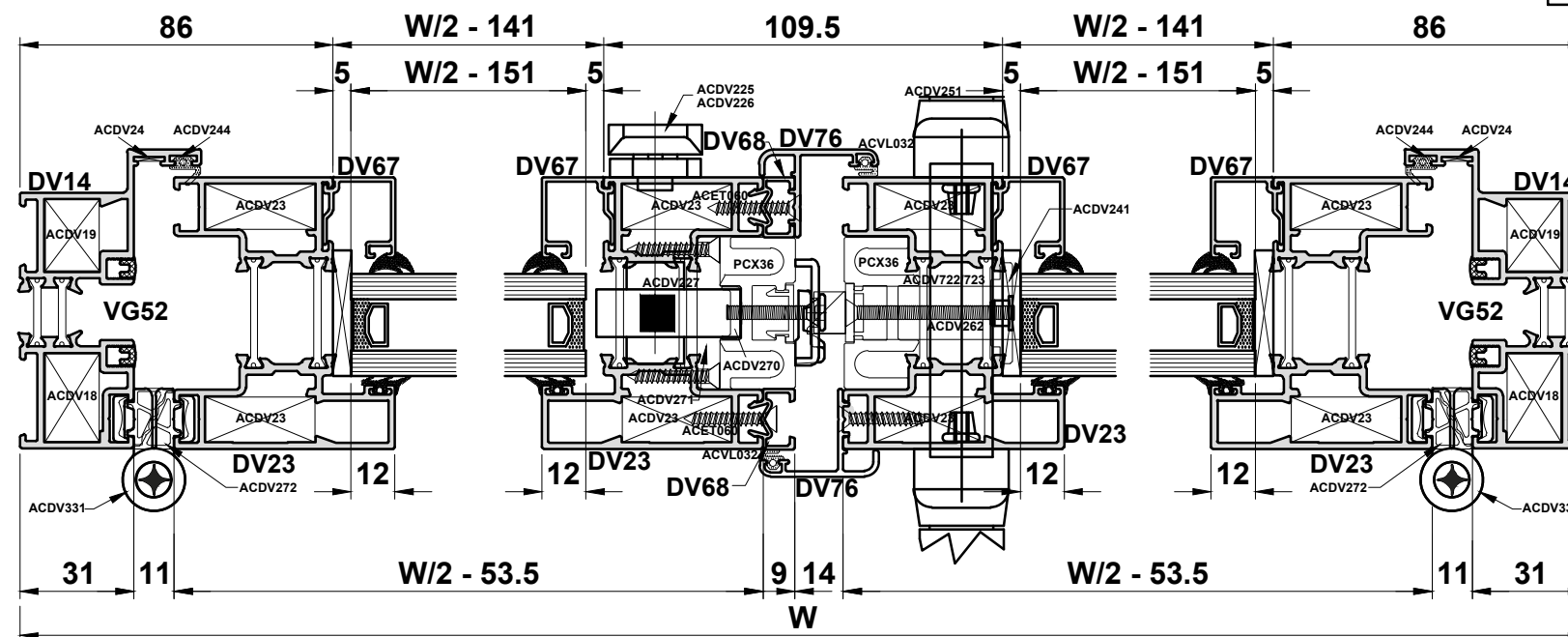


IMPORTANT NOTE:
Min. Sash Width 700mm / Max. Sash Width 1200mm
Max. Sash Weight 100kg
Max. Sash Height 2500mm Dependant On Site Conditions
Always Measure In the Last Vent.

GLASS DEDUCTIONS

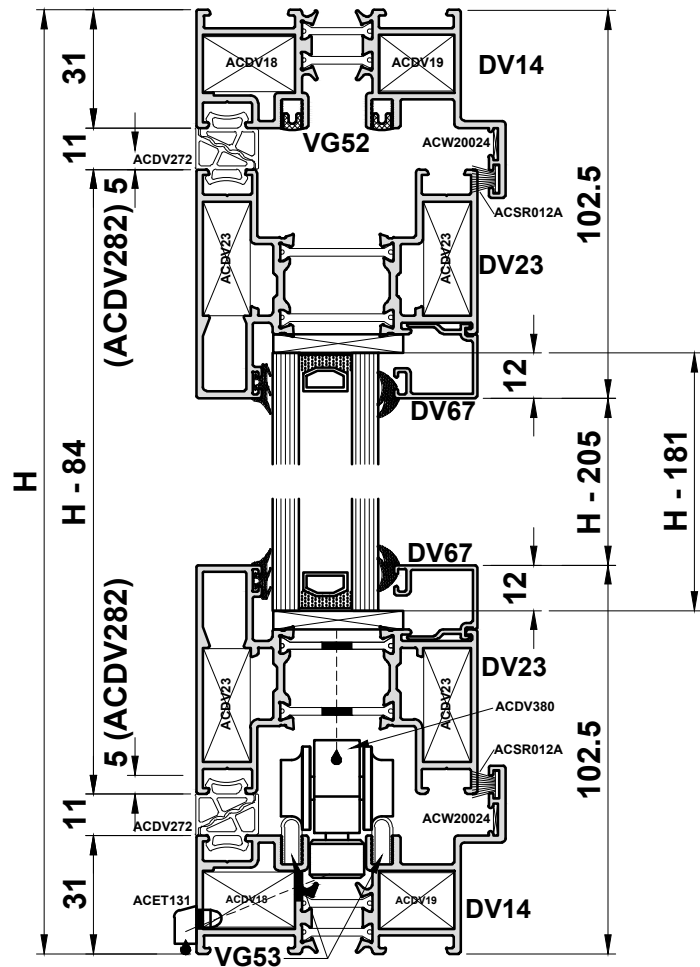
DV271	2 x	W/2 - 150.5	H - 164
DV173	2 x	W/2 - 150.5	H - 169

FOR ENHANCED WEATHER PERFORMANCE REPLACE ACDV244 FLIPPER GASKET WITH ACDV268 BUBBLE GASKET



Do Not Scale From This Drawing

Cutting Information



PROFILE CUTTING SCHEDULE

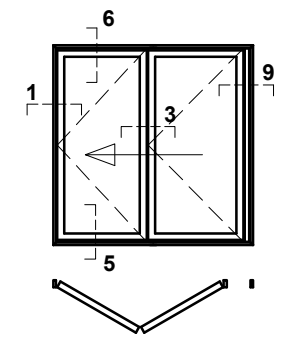
DV14		2		W
DV14		2		H
DV23		4		W/2 - 71
DV23		4		H-84
DV32		1		H-94
DV56		1		H-84
DV60		1		H-46
Glazing Bead		4		W/2-158.5
Glazing Bead		4		H-205
VG52		2		W-62
VG52		4		H-62
VG53		2		W-62

GLASS SIZES	
2 X	W/2 - 168.5
	H - 181

ACCESSORIES

ACDV18	4	CLEAT FOR DV14
ACDV19	4	CLEAT FOR DV14
ACDV23	16	CLEAT FOR DV23
ACDV225 or 226	1	SHOOTBOLT HANDLE
ACDV227	1	SHOOTBOLT GEARBOX
ACDV228	1 (PAIR)	SHOOTBOLT ROD
ACDV229	2	SHOOTBOLT GUIDE
ACDV331	11	INTERMEDIATE HINGE
ACDV234	1	D-HANDLE/HINGE
ACDV241	11	FIXING BLOCK FOR LOCK
ACDV56	1 (PAIR)	END CAP FOR DV56
ACDV272	2 x (W-90) + 10 x (H-90)	SEALING GASKET (cut to fit)
ACDV275	2	CORNER MOULDS
ACDV380	1	DV32 BOTTOM ROLLER
ACDV381	1	DV32 TOP GUIDE
ACDV282	4	WOOLPILE CARRIER
ACET060	15	SCREW FOR DV56
ACET133	2	SCREW FOR ACDV225/6
ACET131	2	DRAIN HOLE COVER
ACMX01604 (SL)	1	HALF CYLINDER
ACSR012A	2 x (W-90) + 2 x (H-90)	WOOLPILE
ACSR012A	4 x 47mm	WOOLPILE FOR ACDV282
ACVG31	2 x (W/2-168) + 4 x (H-181)	EXTERNAL GLAZING GASKET
ACVG34	2 x (W/2-168) + 4 x (H-181)	INTERNAL GLAZING GASKET
ACVL032	1 x (H-84)	DV56 FLIPPER GASKET
ACW20024	4	CHEVRON FOR DV14

Double Slide Door

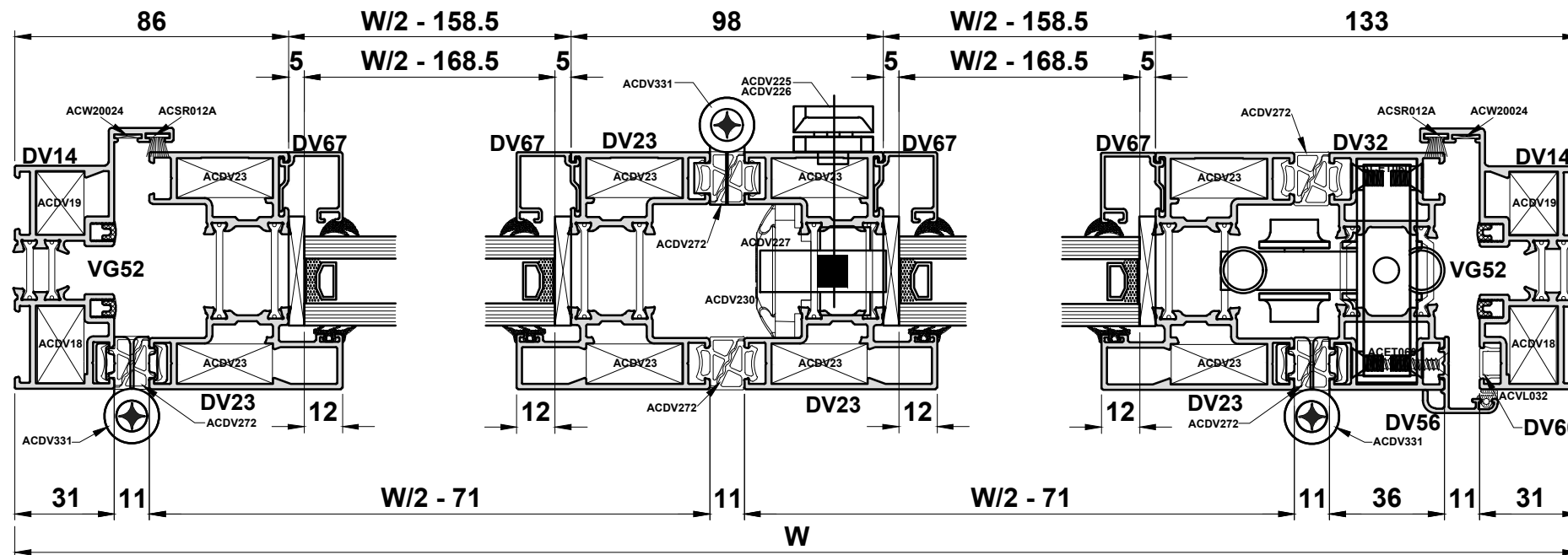


NOTE:

This design does not offer external access or an individual traffic door.

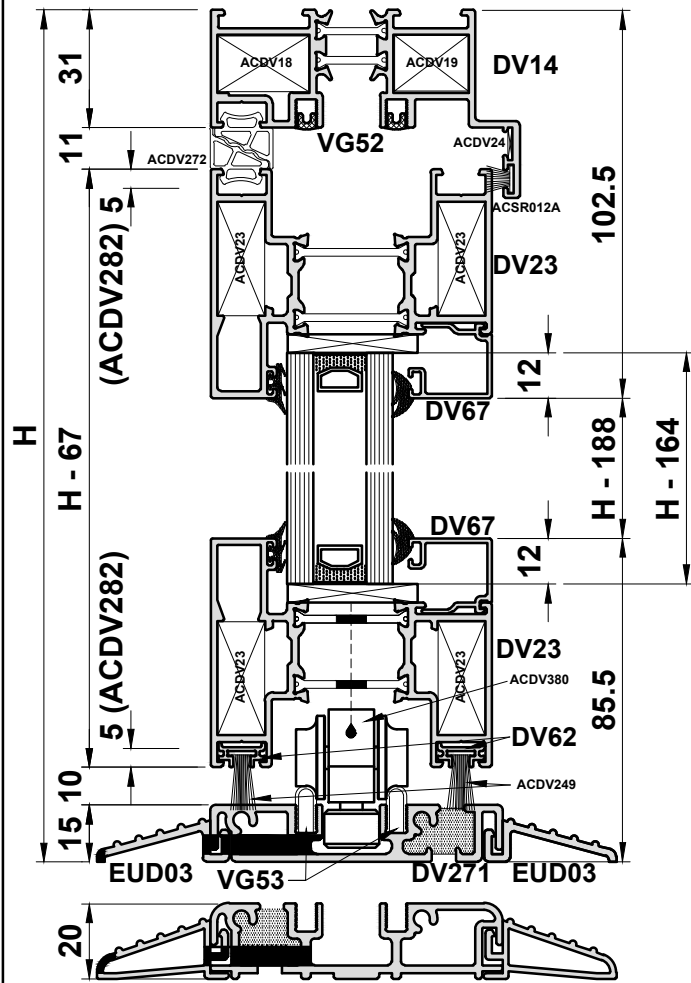
IMPORTANT NOTE:

Min. Sash Width 700mm / Max. Sash Width 1200mm
Max. Sash Weight 100kg
Max. Sash Height 2500mm Dependant On Site Conditions
Always Measure In the Last Vent.



Do Not Scale From This Drawing

Cutting Information



PROFILE CUTTING SCHEDULE

DV14	1	W
DV14	2	H
DV271	1	W-66
EUD03	1	W-66
EUD03	1	W-99
DV23	4	W/2-71
DV23	4	H-67
DV32	1	H-78
DV56	1	H-67
DV62	1	W/2-84
DV62	3	W/2-77.5
Glazing Bead	4	W/2-158.5
Glazing Bead	4	H-154 H-188
DV60	1	H-46
VG52	2	W-62
VG52	4	H-46
VG53	2	W-62

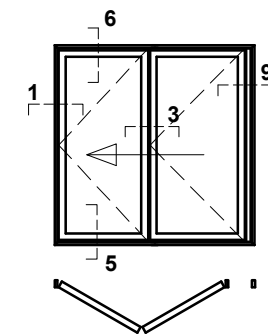
PROFILE CUTTING SCHEDULE (DV173)

DV173	1	W-66
DV174	1	W-66
DV174	1	W-99
DV23	4	H-72
DV32	1	H-83
DV56	2	H-72
Glazing Bead	4	H-159 H-193

ACCESSORIES

ACDV18	2	CLEAT FOR DV14
ACDV19	2	CLEAT FOR DV14
ACDV23	16	CLEAT FOR DV23
ACDV271/173	2	THRESHOLD ENDCAP
ACDV225 or 226	1	SHOOTBOLT HANDLE
ACDV227	1	SHOOTBOLT GEARBOX
ACDV228	1 (PAIR)	SHOOTBOLT ROD
ACDV229	2	SHOOTBOLT GUIDE
ACDV331	11	INTERMEDIATE HINGE
ACDV234	1	D-HANDLE/HINGE
ACDV249	4 x (W/2-53)	WOOLPILE
ACDV249	2 x 47mm	WOOLPILE
ACDV254	5 (PAIRS)	INFILL BLOCK
ACDV272	2 x (W-90) + 10 x (H-90)	SEALING GASKET (cut to fit)
ACDV275	2	CORNER MOULDS
ACDV380	1	DV32 BOTTOM ROLLER
ACDV381	1	DV32 TOP GUIDE
ACDV282	4	WOOLPILE CARRIER
ACDV56	1 (PAIR)	END CAP FOR DV56
ACDR052	4	SCREWS FOR THRESHOLD
ACET060	13	SCREW FOR DV56
ACET133	2	SCREW FOR ACDV225/6
ACMX01604 (SL)	1	HALF CYLINDER
ACSR012A	1 x (W-90) + 2 x (H-90)	WOOLPILE
ACSR012A	2 x 47mm	WOOLPILE FOR ACDV282
ACVG31	2 x (W/2-168) + 4 x (H-188)	EXTERNAL GLAZING GASKET
ACVG34	2 x (W/2-168) + 4 x (H-188)	INTERNAL GLAZING GASKET
ACVL032	1 x (H-84)	DV56 FLIPPER GASKET
ACW20024	2	CHEVRON FOR DV14

Double Slide Door



NOTE:

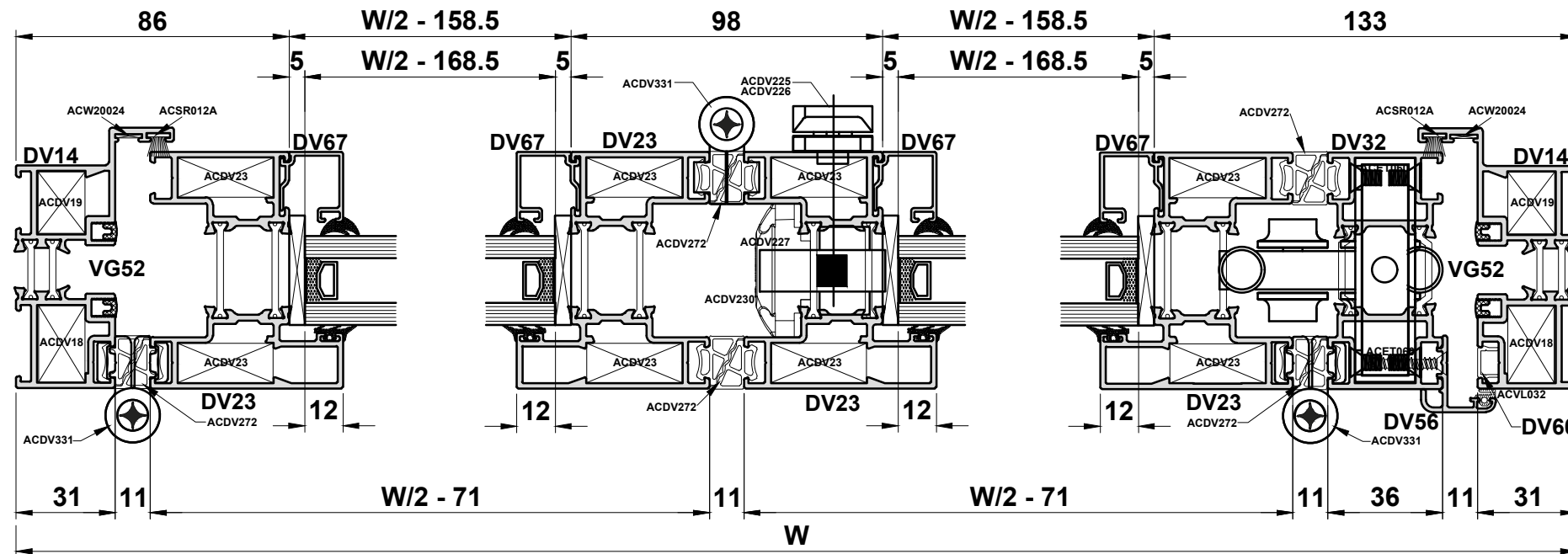
This design does not offer external access or an individual traffic door.

IMPORTANT NOTE:

Min. Sash Width 700mm / Max. Sash Width 1200mm
Max. Sash Weight 100kg
Max. Sash Height 2500mm Dependant On Site Conditions
Always Measure In the Last Vent.

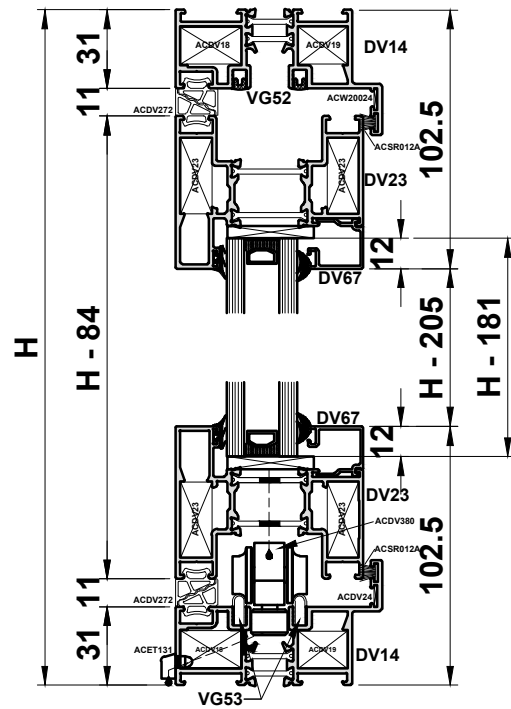
GLASS DEDUCTIONS

DV271	2 x	W/2 - 168.5	H - 164
DV173	2 x	W/2 - 168.5	H - 169



Do Not Scale From This Drawing

Cutting Information



PROFILE CUTTING SCHEDULE

DV14		2		W
ACDV19		2		H
DV23		10		W/5 - 35.5
DV23		10		H-84
DV38		1		H-94
DV60		2		H-62
DV76		2		H-84
Glazing Bead		10		W/5-113
Glazing Bead		10		H-205
VG52		2		W-62
VG52		4		H-62
VG53		2		W-62
PCX36		1		H-84
PCX38		1		H-84

Note: PCX15 required for leaf heights over 2285mm.

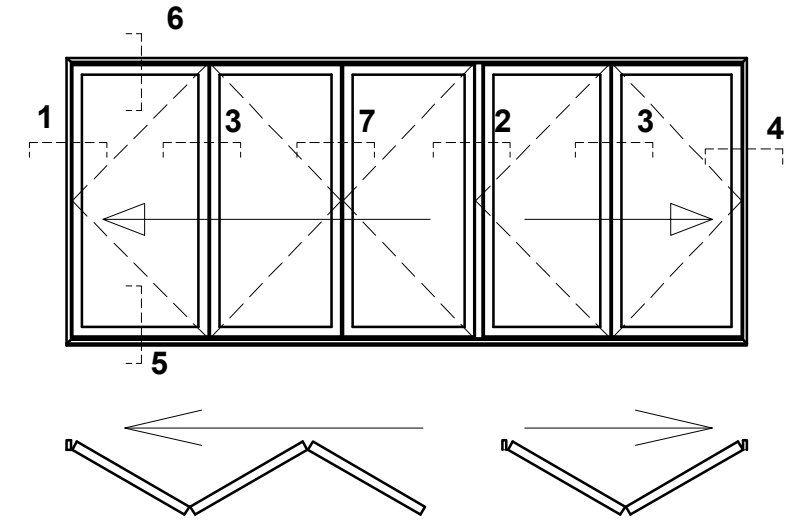
GLASS SIZES	5 X	W/5 - 132
		H - 181

ACCESSORIES

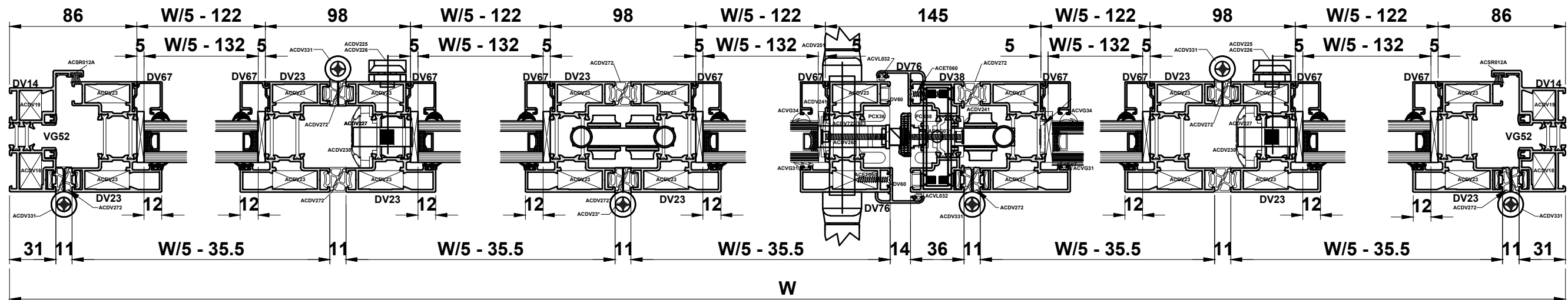
ACDV18	4	CLEAT FOR DV14
ACDV19	4	CLEAT FOR DV14
ACDV23	40	CLEAT FOR DV23
ACDV080	1	RUN UP BLOCK
ACDV225 or 226	2	SHOOTBOLT HANDLE
ACDV227	2	SHOOTBOLT GEARBOX
ACDV228	2 (PAIRS)	SHOOTBOLT ROD
ACDV229	4	SHOOTBOLT GUIDE
ACDV230	2	SHOOTBOLT COVER
ACDV331	20	INTERMEDIATE HINGE
ACDV232	1	BOTTOM ROLLER HINGE
ACDV233	1	TOP GUIDE HINGE
ACDV234	2	D-HANDLE/HINGE
ACDV241	22	FIXING BLOCK FOR LOCK
ACDV251	1 (PAIR)	LEVER HANDLES
ACDV258 (SL)	1	50/50 CYLINDER
ACDV262	22	SCREW FOR LOCK & KEEPS
ACDV76	2 (PAIRS)	END CAP FOR DV76
ACDV272	4 x (W-62) + 20 x (H-62)	SEALING GASKET
ACDV275	5	CORNER MOULDS
ACDV380	1	DV32 BOTTOM ROLLER
ACDV381	1	DV32 TOP GUIDE
ACDV282	4	WOOLPILE CARRIER
ACDV722/23	1	MULTI-POINT LOCK
ACET060	26	SCREW FOR DV56 & HINGES
ACET133	4	SCREW FOR ACDV225/6
ACET131	2	DRAIN HOLE COVER
ACMX01604 (SL)	2	HALF CYLINDER
ACSR012A	2 x (W-90) + 2 x (H-90)	WOOLPILE
ACVG31	10 x (W/5-123) + 10 x (H-181)	EXTERNAL GLAZING GASKET
ACVG34	10 x (W/5-123) + 10 x (H-181)	INTERNAL GLAZING GASKET
ACVL032	2 x (H-84)	DV56 FLIPPER GASKET
ACW20024	4	CHEVRON FOR DV14

+ Optional: 1 x ACDV308 Magnetic Catch

3/2 Door

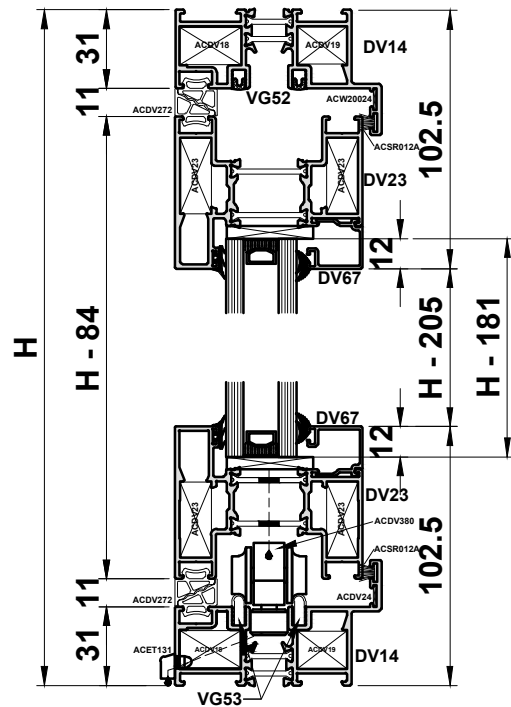


IMPORTANT NOTE:
Min. Sash Width 700mm / Max. Sash Width 1200mm
Max. Sash Weight 100kg
Max. Sash Height 2500mm Dependant On Site Conditions
Always Measure In the Last Vent.



Do Not Scale From This Drawing

Cutting Information



PROFILE CUTTING SCHEDULE

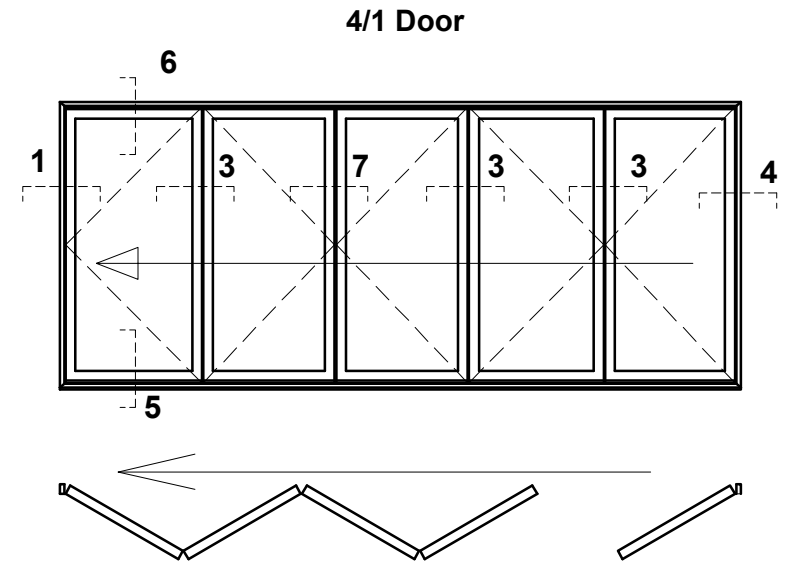
DV14		2		W
DV14		2		H
DV23		10		W/5 - 35.5
DV23		10		H-84
DV38		1		H-94
Glazing Bead		10		W/5-123
Glazing Bead		10		H-205
DV60		2		H-62
DV76		2		H-84
VG52		2		W-62
VG52		4		H-62
VG53		2		W-62
PCX36		1		H-84
PCX38		1		H-84

Note: PCX15 required for leaf heights over 2285mm.

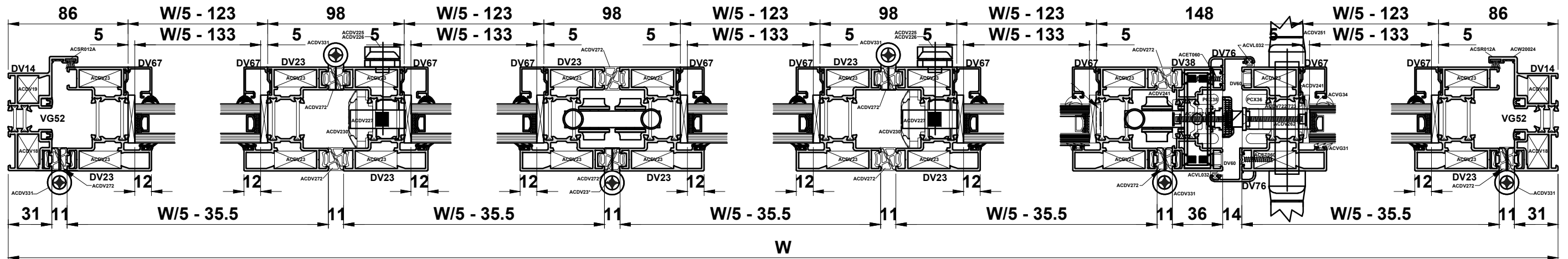
GLASS SIZES	5 X	W/5 - 133
		H - 181

ACCESSORIES

ACDV18	4	CLEAT FOR DV14
ACDV19	4	CLEAT FOR DV14
ACDV23	40	CLEAT FOR DV23
ACDV080	1	RUN UP BLOCK
ACDV225 or 226	2	SHOOTBOLT HANDLE
ACDV227	2	SHOOTBOLT GEARBOX
ACDV228	2 (PAIR)	SHOOTBOLT ROD
ACDV229	4	SHOOTBOLT GUIDE
ACDV230	2	SHOOTBOLT COVER
ACDV331	22	INTERMEDIATE HINGE
ACDV232	1	BOTTOM ROLLER HINGE
ACDV233	1	TOP GUIDE HINGE
ACDV234	2	D-HANDLE/HINGE
ACDV241	11	FIXING BLOCK FOR LOCK
ACDV251	1 (PAIR)	LEVER HANDLES
ACDV258 (SL)	1	50/50 CYLINDER
ACDV262	11	SCREW FOR LOCK
ACDV264	11	SCREW FOR KEEPS
ACDV272	4 x (W-62) + 20 x (H-62)	SEALING GASKET (cut to fit)
ACDV275	5	CORNER MOULDS
ACDV380	1	DV32 BOTTOM ROLLER
ACDV381	1	DV32 TOP GUIDE
ACDV282	4	WOOLPILE CARRIER
ACDV76	1 (PAIR)	END CAP FOR DV76
ACDV722/23	1	MULTI-POINT LOCK
ACET060	62	SCREW FOR DV56
ACET133	4	SCREW FOR ACDV225/6
ACMX01604 (SL)	2	HALF CYLINDER
ACDV523	11	FIXING BLOCK FOR KEEPS
ACSR012A	2 x (W-90) + 2 x (H-90)	WOOLPILE
ACSR012A	4 x 47mm	WOOLPILE FOR ACDV282
ACVG31	10 x (W/5-132) + 10 x (H-181)	EXTERNAL GLAZING GASKET
ACVG34	10 x (W/5-132) + 10 x (H-181)	INTERNAL GLAZING GASKET
ACVL032	1 x (H-84)	DV56 FLIPPER GASKET
ACW20024	4	CHEVRON FOR DV14



IMPORTANT NOTE:
Min. Sash Width 700mm / Max. Sash Width 1200mm
Max. Sash Weight 100kg
Max. Sash Height 2500mm Dependant On Site Conditions
Always Measure In the Last Vent.



Do Not Scale From This Drawing

Cutting Information

PROFILE CUTTING SCHEDULE

DV14		1		W
DV14		2		H
DV271		1		W-66
EUD03		1		W-66
EUD03		1		W-99
DV23		10		W/5-35
DV23		10		H-67
DV38		1		H-77
DV60		2		H-46
DV62		2		W/5-41.5
DV62		8		W/5-48.5
Glazing Bead		10		W/5-122
Glazing Bead		10		H-188
DV76		2		H-67
VG52		2		W-62
VG52		4		H-46
VG53		2		W-62
PCX36		1		H-67
PCX38		1		H-67

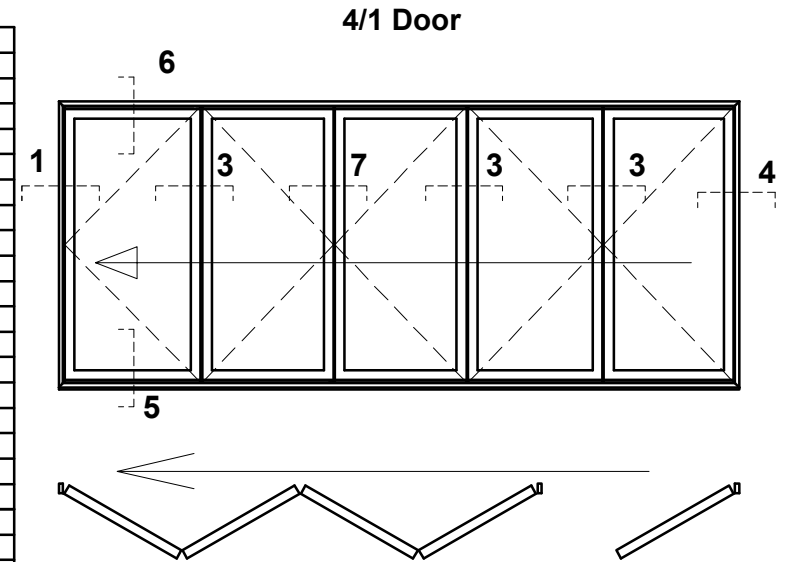
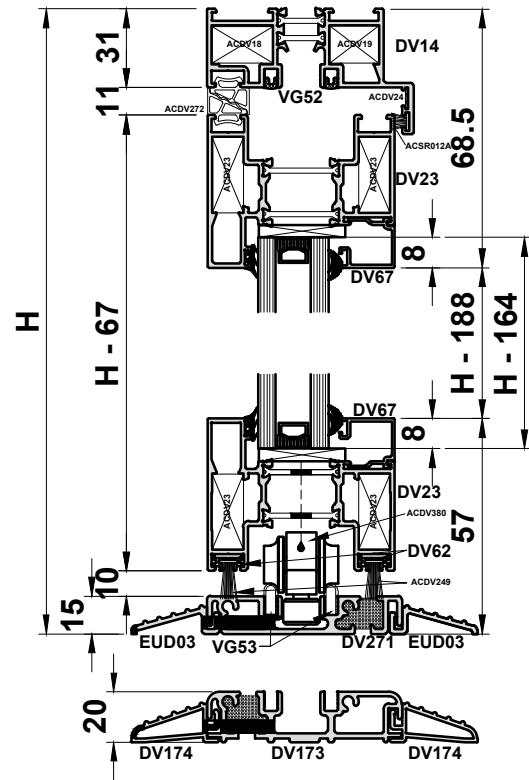
PROFILE CUTTING SCHEDULE (DV173)

DV173		1		W-66
DV174		1		W-66
DV174		1		W-99
DV23		10		H-72
DV38		1		H-82
Glazing Bead		10		H-193
DV76		2		H-72
PCX36		1		H-72
PCX38		1		H-72

Note: PCX15 required for leaf heights over 2285mm.

ACCESSORIES

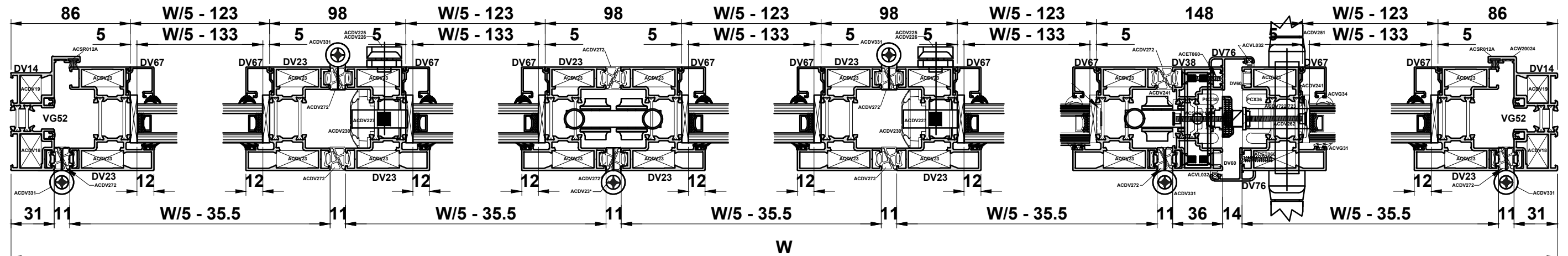
ACDV18	4	CLEAT FOR DV14
ACDV19	4	CLEAT FOR DV14
ACDV23	40	CLEAT FOR DV23
ACDV271/173	2	THRESHOLD ENDCAP
ACDV225 or 226	2	SHOOTBOLT HANDLE
ACDV227	2	SHOOTBOLT GEARBOX
ACDV228	2 (PAIR)	SHOOTBOLT ROD
ACDV229	4	SHOOTBOLT GUIDE
ACDV230	2	SHOOTBOLT COVER
ACDV331	22	INTERMEDIATE HINGE
ACDV232	1	BOTTOM ROLLER HINGE
ACDV233	1	TOP GUIDE HINGE
ACDV234	2	D-HANDLE/HINGE
ACDV241	11	FIXING BLOCK FOR LOCK
ACDV249	10 x (W/5-26)	WOOLPILE
ACDV249	2 x 47mm	WOOLPILE FOR ACDV282
ACDV251	1 (PAIR)	LEVER HANDLES
ACDV254	10 (PAIRS)	INFILL BLOCK
ACDV258 (SL)	1	50/50 CYLINDER
ACDV262	11	SCREW FOR LOCK
ACDV264	11	SCREW FOR KEEPS
ACDV272	2 x (W-62) + 20 x (H-62)	SEALING GASKET (cut to fit)
ACDV275	5	CORNER MOULDS
ACDV380	1	DV32 BOTTOM ROLLER
ACDV381	1	DV32 TOP GUIDE
ACDV282	4	WOOLPILE CARRIER
ACDV76	1 (PAIR)	END CAP FOR DV56
ACDV722/23	1	MULTI-POINT LOCK
ACDR052	4	SCREWS FOR THRESHOLD
ACET060	62	SCREW FOR DV76
ACET133	4	SCREW FOR ACDV225/6
ACMX01604 (SL)	2	HALF CYLINDER
ACDV523	11	FIXING BLOCK FOR KEEPS
ACSR012A	1 x (W-90) + 2 x (H-90)	WOOLPILE
ACSR012A	2 x 47mm	WOOLPILE FOR ACDV282
ACVG31	10 x (W/5-123) + 10 x (H-164)	EXTERNAL GLAZING GASKET
ACVG34	10 x (W/5-123) + 10 x (H-164)	INTERNAL GLAZING GASKET
ACVL032	1 x (H-67)	DV56 FLIPPER GASKET
ACW20024	4	CHEVRON FOR DV14
ACDV292	1	BRUSH PILE CARRIER



IMPORTANT NOTE:
Min. Sash Width 700mm / Max. Sash Width 1200mm
Max. Sash Weight 100kg
Max. Sash Height 2500mm Dependant On Site Conditions
Always Measure In the Last Vent.

GLASS DEDUCTIONS

DV271	5 x	W/5 - 133	H - 164
DV173	5 x	W/5 - 133	H - 169



Do Not Scale From This Drawing

Cutting Information

Do Not Scale From This Drawing

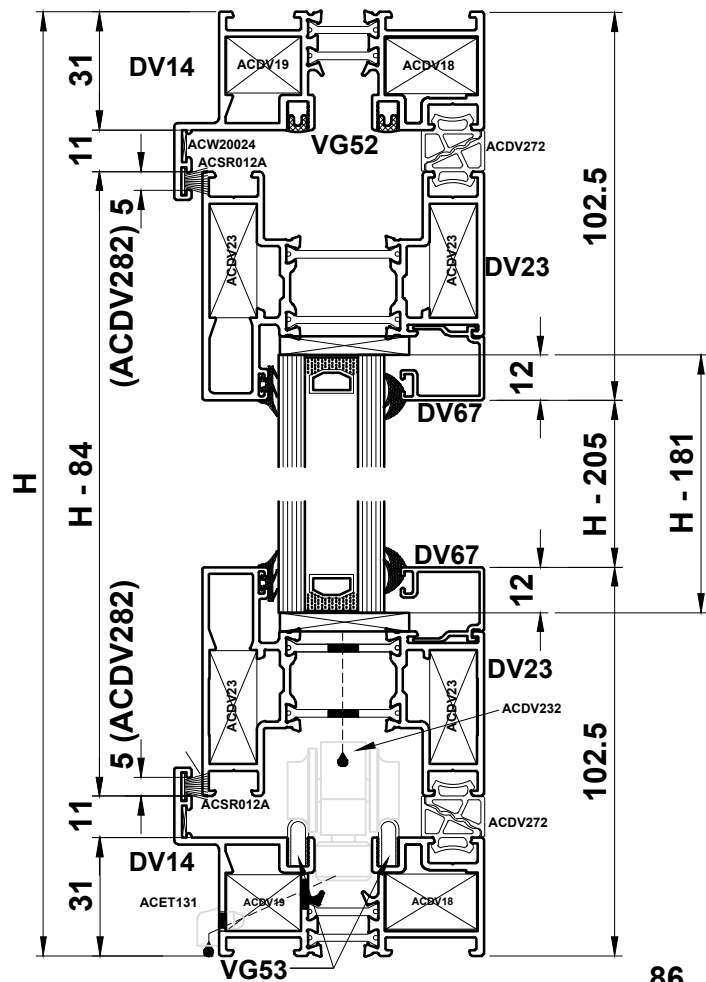
Cutting Information

OPEN IN

- F28 - Type 1i With Rebated Threshold
- F29 - Type 1i With Low Threshold
- F30 - Type 2i With Standard Threshold
- F31 - Type 2i With Low Threshold
- F32 - Type 3i With Standard Threshold
- F33 - Type 3i With Low Threshold
- F34 - Type 4i With Standard Threshold
- F35 - Type 4i With Low Threshold
- F36 - Type 5i With Standard Threshold
- F37 - Type 5i With Low Threshold
- F38 - Type 6i With Standard Threshold
- F39 - Type 6i With Low Threshold
- F40 - Type 7i With Standard Threshold
- F41 - Type 7i With Low Threshold
- F42 - Single Door With Standard Threshold
- F43 - Single Door With Low Threshold
- F44 - Double Swing Door Standard Threshold
- F45 - Double Swing Door Low Threshold
- F46 - Double Slide Door With Standard Threshold
- F47 - Double Slide Door With Low Threshold
- F48 - 3/2 Door Standard Threshold
- F49 - 3/2 Door Low Threshold
- F50 - 4/1 Door Standard Threshold
- F51 - 4/1 Door Low Threshold

Do Not Scale From This Drawing

Cutting Information



PROFILE CUTTING SCHEDULE

DV14		2		W
DV14		2		H
DV23		6		W/3-52
DV23		6		H-84
DV38		1		H-94
DV60		2		H-84
DV76		2		H-84
Glazing Bead		6		W/3-138.5
Glazing Bead		6		H-205
VG52		2		W-62
VG52		4		H-62
VG53		2		W-62
PCX36		1		H-84
PCX38		1		H-84

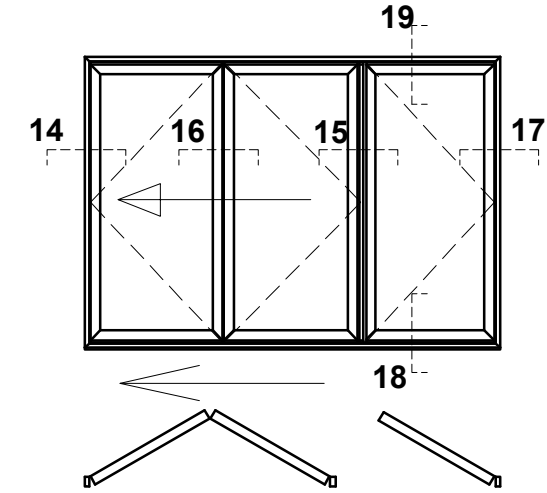
Note: PCX15 required for leaf heights over 2285mm.

GLASS SIZES		W/3 - 149.5
	3 X	H - 181

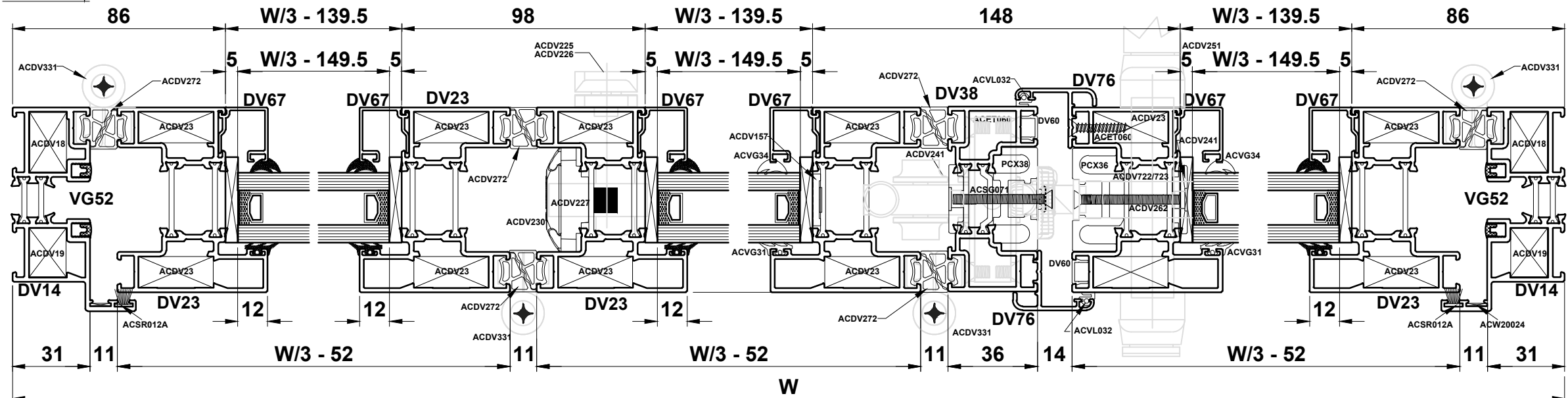
ACCESSORIES

ACDV18	4	CLEAT FOR DV14
ACDV19	4	CLEAT FOR DV14
ACDV23	24	CLEAT FOR DV23
ACDV080	1	RUN UP BLOCK
ACDV225 or 226	1	SHOOTBOLT HANDLE
ACDV227	1	SHOOTBOLT GEARBOX
ACDV228	1 (PAIR)	SHOOTBOLT ROD
ACDV229	2	SHOOTBOLT GUIDE
ACDV230	1	SHOOTBOLT COVER
ACDV331	16	INTERMEDIATE HINGE
ACDV274	1	D-HANDLE
ACDV241	22	FIXING BLOCK FOR LOCK & KEEPS
ACDV251	1 (PAIR)	LEVER HANDLES
ACDV258 (SL)	1	50/50 CYLINDER
ACDV262	22	SCREW FOR LOCK & KEEPS
ACDV272	4 x (W-62) 12 x (H-62)	SEALING GASKET (cut to fit)
ACDV275	3	CORNER MOULDS
ACDV380	1	DV32 BOTTOM ROLLER
ACDV381	1	DV32 TOP GUIDE
ACDV282	4	WOOLPILE CARRIER
ACDV76	2 (PAIRS)	END CAP FOR DV76
ACDV722/23	1	MULTI-POINT LOCK
ACET060	24	SCREW FOR DV56 & ACDV282
ACET133	2	SCREW FOR ACDV225/6
ACET131	2	DRAIN HOLE COVER
ACMX01604 (SL)	1	HALF CYLINDER
ACVG31	6 x (W/3-149) + 6 x (H-181)	EXTERNAL GLAZING GASKET
ACVG34	6 x (W/3-149) + 6 x (H-181)	INTERNAL GLAZING GASKET
ACVL032	2 x (H-84)	DV56 FLIPPER GASKET
ACSR012A	2 x (W-90) + 2 x (H-90)	WOOLPILE
ACSR012A	4 x 47mm	WOOLPILE FOR ENDCAPS
ACW20024	4	CHEVRON FOR DV14

Type 1i

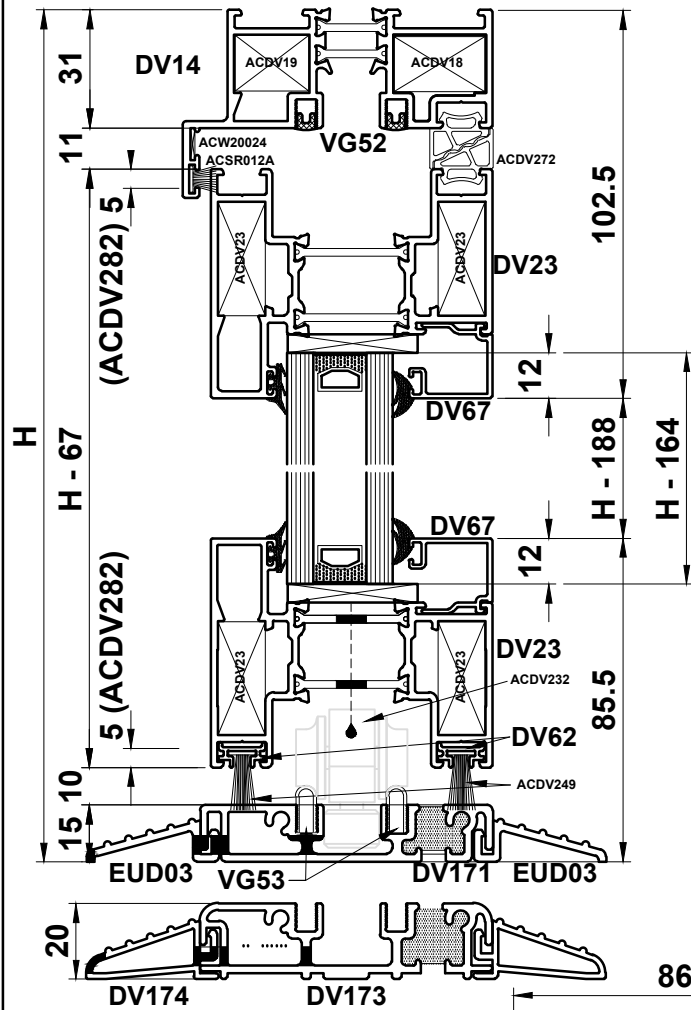


IMPORTANT NOTE:
Min. Sash Width 700mm / Max. Sash Width 1200mm
Max. Sash Weight 100kg
Max. Sash Height 2500mm Dependant On Site Conditions
Always Measure In the Last Vent.



Do Not Scale From This Drawing

Cutting Information



PROFILE CUTTING SCHEDULE

DV14	1	W
DV14	2	H
DV171	1	W-66
EUD03	1	W-66
EUD03	1	W-99
DV23	6	W/3-52
DV23	6	H-67
DV38	1	H-77
DV60	2	H-46
DV76	2	H-67
DV62	2	W/3-79
DV62	4	W/3-65
Glazing Bead	6	W/3-139.5
Glazing Bead	6	H-188
VG52	2	W-62
VG52	4	H-46
VG53	2	W-62
PCX36	1	H-67

PROFILE CUTTING SCHEDULE (DV173)

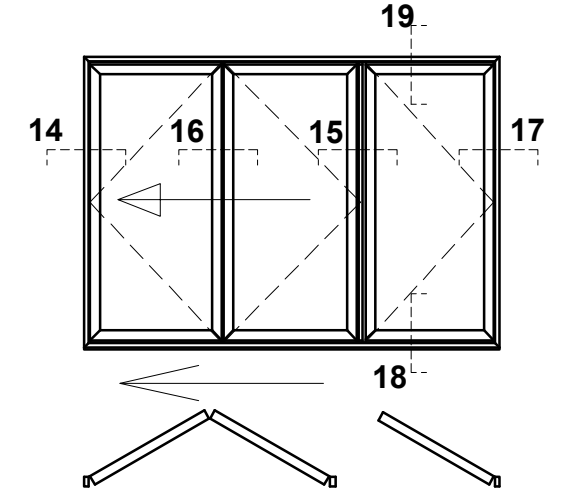
DV173	1	W-66
DV174	1	W-66
DV174	1	W-99
DV23	8	H-72
DV38	1	H-82
DV76	2	H-72
Glazing Bead	6	H-193
PCX36	1	H-72

Note: PCX15 required for leaf heights over 2285mm.

ACCESSORIES

ACDV18	2	CLEAT FOR DV14
ACDV19	2	CLEAT FOR DV14
ACDV171/173	2	THRESHOLD ENDCAP
ACDV23	24	CLEAT FOR DV23
ACDV225 or 226	1	SHOOTBOLT HANDLE
ACDV227	1	SHOOTBOLT GEARBOX
ACDV228	1 (PAIR)	SHOOTBOLT ROD
ACDV229	2	SHOOTBOLT GUIDE
ACDV230	1	SHOOTBOLT COVER
ACDV331	16	INTERMEDIATE HINGE
ACDV274	1	D-HANDLE
ACDV241	22	FIXING BLOCK FOR LOCK & KEEPS
ACDV249	6 x (W/3-51) + 2 x (42)	WOOLPILE
ACDV251	1 (PAIR)	LEVER HANDLES
ACDV258 (SL)	1	50/50 CYLINDER
ACDV262	22	SCREW FOR LOCK & KEEPS
ACDV272	2 x (W-62) 12 x (H-62)	SEALING GASKET (cut to fit)
ACDV275	3	CORNER MOULDS
ACDV380	1	DV32 BOTTOM ROLLER
ACDV381	1	DV32 TOP GUIDE
ACDV282	4	WOOLPILE CARRIER
ACDV56	2 (PAIRS)	END CAP FOR DV56
ACDV722/23	1	MULTI-POINT LOCK
ACDR052	4	SCREWS FOR THRESHOLD
ACET060	24	SCREW FOR DV56 & ACDV282
ACET133	2	SCREW FOR ACDV225/6
ACMX01604 (SL)	1	HALF CYLINDER
ACVG31	6 x (W/3-149) + 6 x (H-164)	EXTERNAL GLAZING GASKET
ACVG34	6 x (W/3-149) + 6 x (H-164)	INTERNAL GLAZING GASKET
ACVL032	2 x (H-84)	DV56 FLIPPER GASKET
ACSR012A	1 x (W-90) + 2 x (H-90)	WOOLPILE
ACSR012A	2 x 47mm	WOOLPILE FOR ENDCAPS
ACDV249	2 x 47mm	WOOLPILE FOR ACDV282
ACW20024	2	CHEVRON FOR DV14
ACDV292	1	BRUSH PILE CARRIER

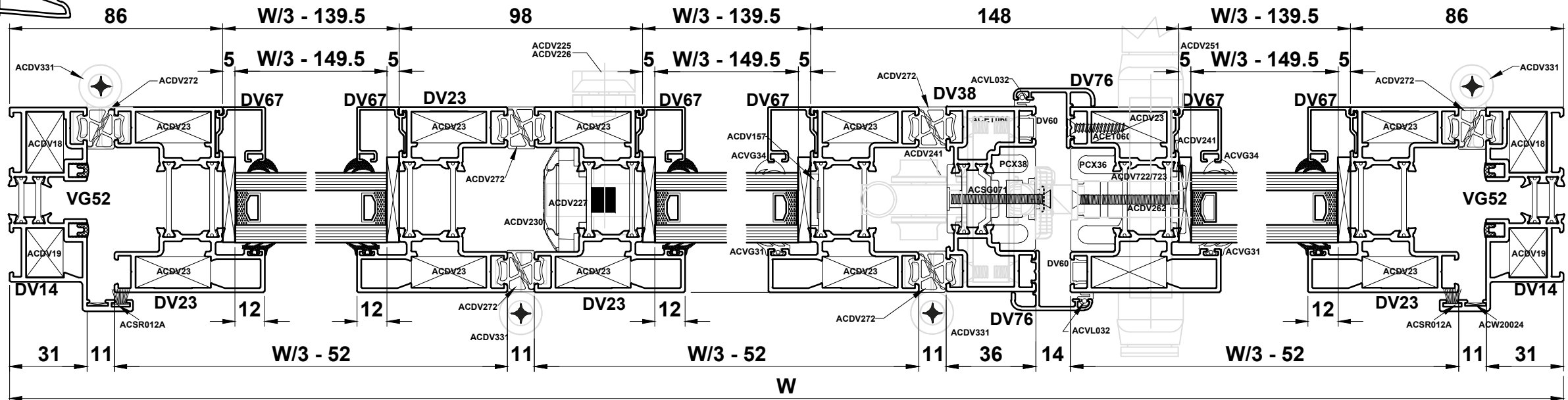
Type 1i



IMPORTANT NOTE:
Min. Sash Width 700mm / Max. Sash Width 1200mm
Max. Sash Weight 100kg
Max. Sash Height 2500mm Dependant On Site Conditions
Always Measure In the Last Vent.

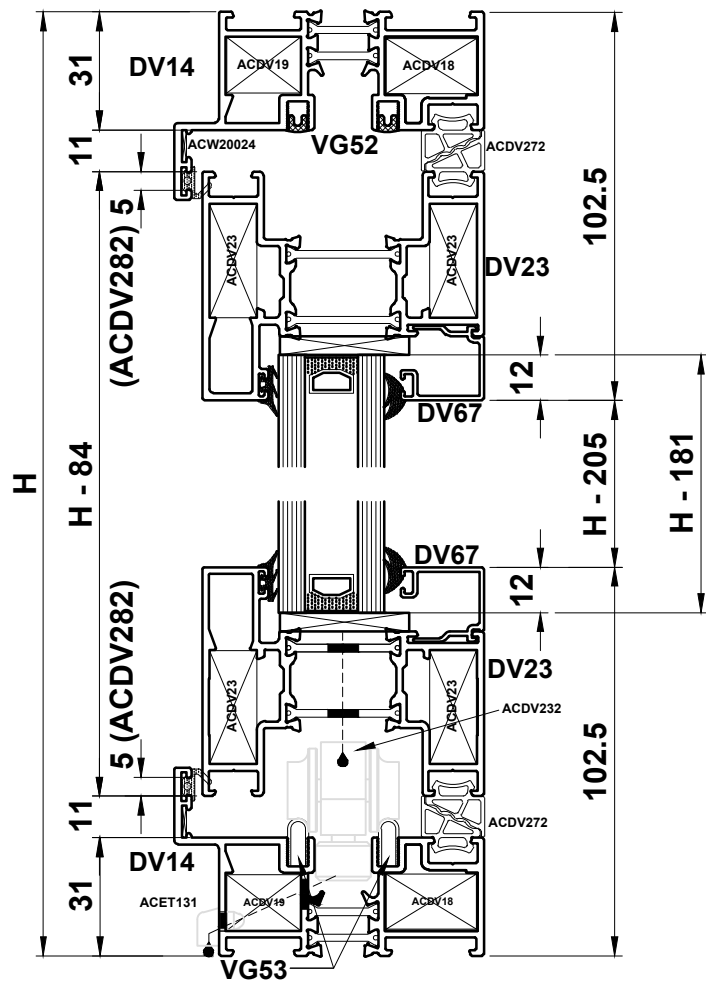
GLASS DEDUCTIONS

DV171	3 x	W/3 - 149.5	H - 164
DV173	3 x	W/3 - 149.5	H - 169



Do Not Scale From This Drawing

Cutting Information



PROFILE CUTTING SCHEDULE

DV14		2		W
DV14		2		H
DV23		6		W/3-36.5
DV23		6		H-84
DV76		1		H-84
Glazing Bead		6		W/3-124
Glazing Bead		6		H-205
DV60		2		H-62
VG52		2		W-62
VG52		4		H-62
VG53		2		W-62
PCX36		1		H-84

Note: PCX15 required for leaf heights over 2285mm.

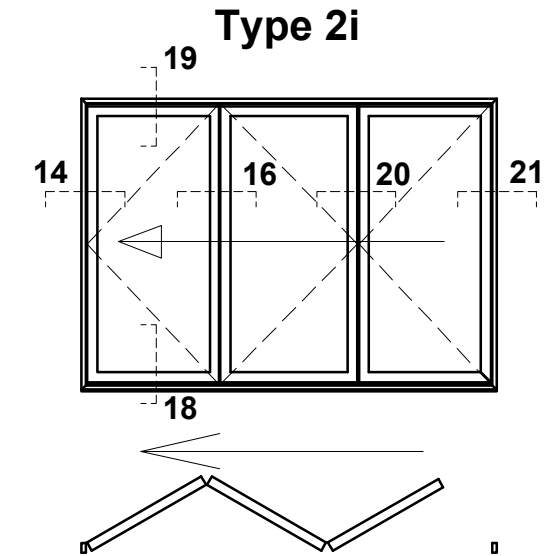
GLASS SIZES	3 X	W/3 - 134
		H - 181

FOR ENHANCED WEATHER PERFORMANCE REPLACE ACDV244 FLIPPER GASKET WITH ACDV268 BUBBLE GASKET

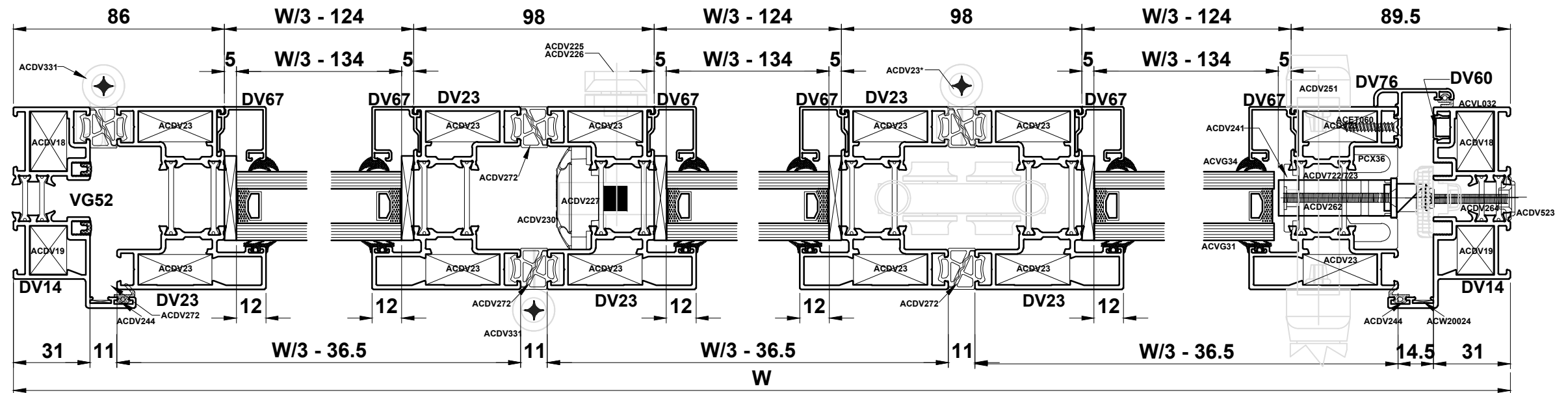
ACCESSORIES

ACDV18	4	CLEAT FOR DV14
ACDV19	4	CLEAT FOR DV14
ACDV23	24	CLEAT FOR DV23
ACDV080	1	RUN UP BLOCK
ACDV225 or 226	1	SHOOTBOLT HANDLE
ACDV227	1	SHOOTBOLT GEARBOX
ACDV228	1 (PAIR)	SHOOTBOLT ROD
ACDV229	2	SHOOTBOLT GUIDE
ACDV230	1	SHOOTBOLT COVER
ACDV331	10	INTERMEDIATE HINGE
ACDV232	1	BOTTOM ROLLER HINGE
ACDV233	1	TOP GUIDE HINGE
ACDV274	1	D-HANDLE/HINGE
ACDV241	11	FIXING BLOCK FOR LOCK
ACDV244	2 x (W-90) + 2 x (H-90)	FLIPPER GASKET
ACDV251	1 (PAIR)	LEVER HANDLES
ACDV258 (SL)	1	50/50 CYLINDER
ACDV262	11	SCREW FOR LOCK
ACDV264	11	SCREW FOR KEEPS
ACDV272	4 x (W-62) 10 x (H-62)	SEALING GASKET (cut to fit)
ACDV275	3	CORNER MOULDS
ACDV76	1 (PAIR)	END CAP FOR DV56
ACDV722/23	1	MULTI-POINT LOCK
ACET060	11	SCREW FOR DV76
ACET133	2	SCREW FOR ACDV225/6
ACET131	2	DRAIN HOLE COVER
ACMX01604 (SL)	1	HALF CYLINDER
ACDV523	11	FIXING BLOCK FOR KEEPS
ACVG31	6 x (W/3-133) + 6 x (H-181)	EXTERNAL GLAZING GASKET
ACVG34	6 x (W/3-133) + 6 x (H-181)	INTERNAL GLAZING GASKET
ACVL032	1 x (H-84)	DV76 FLIPPER GASKET
ACW20024	4	CHEVRON FOR DV14

+ Optional: 1 x ACDV308 Magnetic Catch

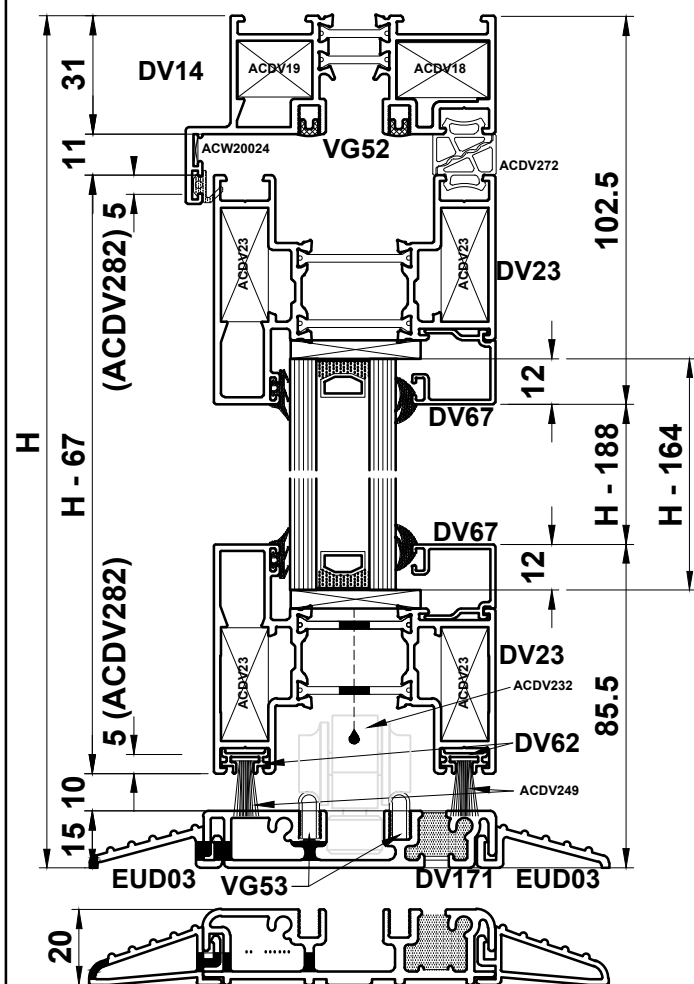


IMPORTANT NOTE:
Min. Sash Width 700mm / Max. Sash Width 1200mm
Max. Sash Weight 100kg
Max. Sash Height 2500mm Dependant On Site Conditions
Always Measure In the Last Vent.



Do Not Scale From This Drawing

Cutting Information



PROFILE CUTTING SCHEDULE

DV14		1		W
DV14		2		H
DV171		1		W-66
EUD03		1		W-66
EUD03		1		W-99
DV23		6		W/3-36.5
DV23		6		H-67
DV60		2		H-46
DV62		2		W/3-63.5
DV62		4		W/3-78.5
Glazing Bead		6		W/3-124
Glazing Bead		6		H-188
DV76		1		H-67
VG52		2		W-62
VG52		4		H-46
VG53		2		W-62
PCX36		1		H-67

PROFILE CUTTING SCHEDULE (DV173)

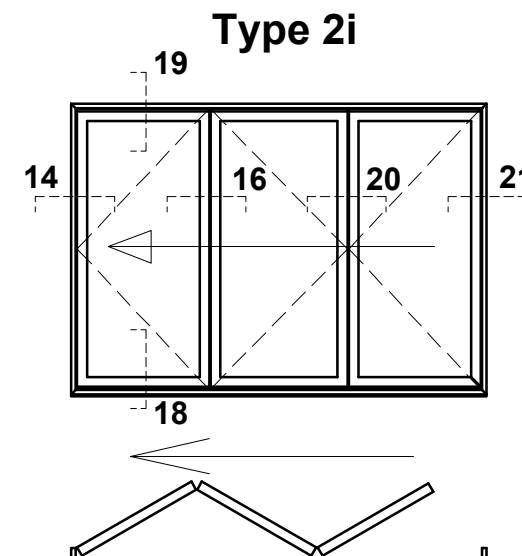
DV173		1		W-66
DV174		1		W-66
DV174		1		W-99
DV23		8		H-72
DV60		1		H-51
DV76		1		H-72
Glazing Bead		6		H-193
PCX36		1		H-72

Note: PCX15 required for leaf heights over 2285mm.

ACCESSORIES

ACDV18	2	CLEAT FOR DV14
ACDV19	2	CLEAT FOR DV14
ACDV23	24	CLEAT FOR DV23
ACDV171/173	2	THRESHOLD ENDCAP
ACDV225 or 226	1	SHOOTBOLT HANDLE
ACDV227	1	SHOOTBOLT GEARBOX
ACDV228	1 (PAIR)	SHOOTBOLT ROD
ACDV229	2 (PAIR)	SHOOTBOLT GUIDE
ACDV230	1	SHOOTBOLT COVER
ACDV331	10	INTERMEDIATE HINGE
ACDV232	1	BOTTOM ROLLER HINGE
ACDV233	1	TOP GUIDE HINGE
ACDV241	11	FIXING BLOCK FOR LOCK
ACDV244	1 x (W-90) + 2 x (H-65)	FLIPPER GASKET
ACDV249	6 x (W/3-63)	WOOLPILE
ACDV251	1 (PAIR)	LEVER HANDLES
ACDV252	1	STRIKE PLATE
ACDV254	6 (PAIRS)	INFILL BLOCK
ACDV258 (SL)	1	50/50 CYLINDER
ACDV262	11	SCREW FOR LOCK
ACDV264	11	SCREW FOR KEEPS
ACDV272	2 x (W-62) 10 x (H-62)	SEALING GASKET
ACDV274	1	D-HANDLE/HINGE
ACDV275	3	CORNER MOULDS
ACDV76	1 (PAIR)	END CAP FOR DV56
ACDV722/23	1	MULTI-POINT LOCK
ACDR052	4	SCREWS FOR THRESHOLD
ACET060	41	SCREW FOR DV56 & ACDV252
ACET133	2	SCREW FOR ACDV225/6
ACMX01604 (SL)	1	HALF CYLINDER
ACDV523	11	FIXING BLOCK FOR KEEPS
ACVG31	6 x (W/3-133) + 6 x (H-181)	EXTERNAL GLAZING GASKET
ACVG34	6 x (W/3-133) + 6 x (H-181)	INTERNAL GLAZING GASKET
ACVL032	1 x (H-84)	DV56 FLIPPER GASKET
ACW20024	2	CHEVRON FOR DV14

+ Optional: 1 x ACDV308 Magnetic Catch

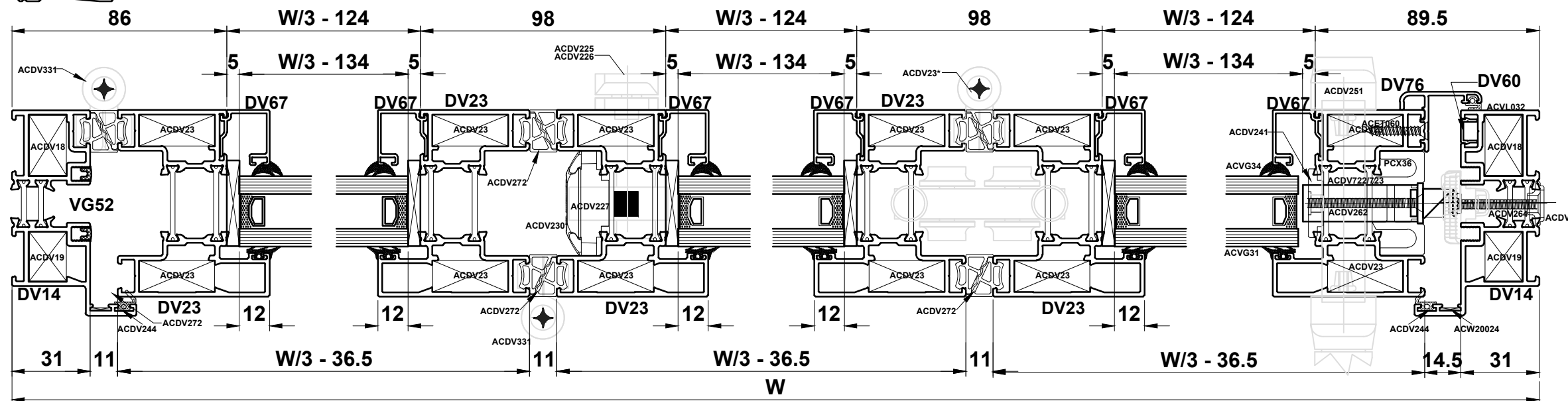


IMPORTANT NOTE:
Min. Sash Width 700mm / Max. Sash Width 1200mm
Max. Sash Weight 100kg
Max. Sash Height 2500mm Dependant On Site Conditions
Always Measure In the Last Vent.

GLASS DEDUCTIONS

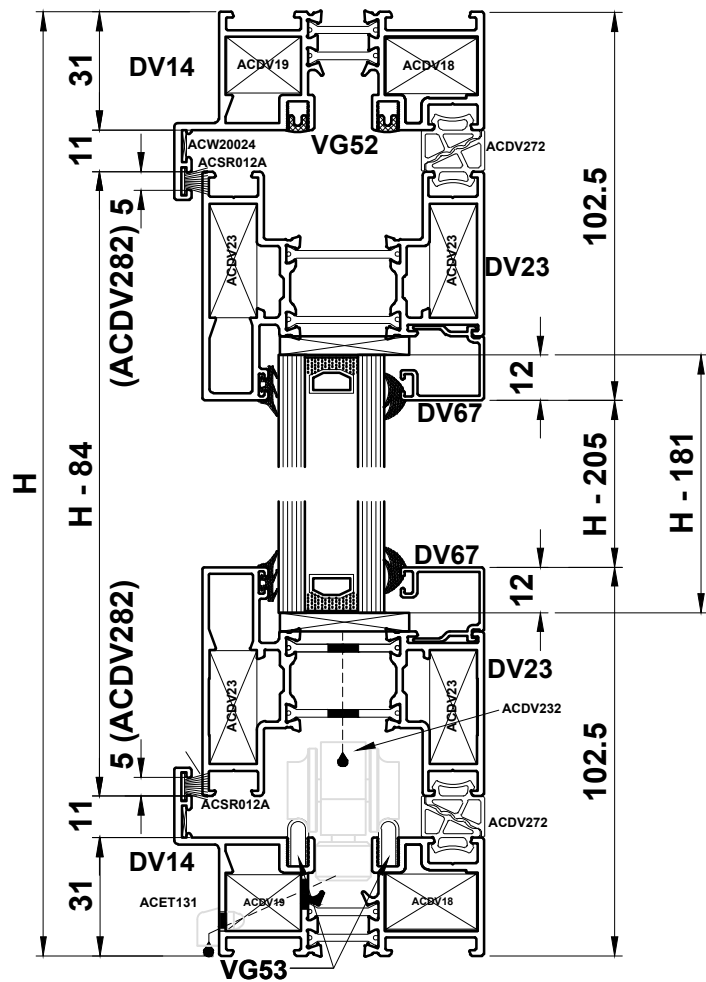
DV171	3 x	W/3 - 134	H - 164
DV173	3 x	W/3 - 134	H - 169

FOR ENHANCED WEATHER PERFORMANCE REPLACE ACDV244 FLIPPER GASKET WITH ACDV268 BUBBLE GASKET



Do Not Scale From This Drawing

Cutting Information



PROFILE CUTTING SCHEDULE

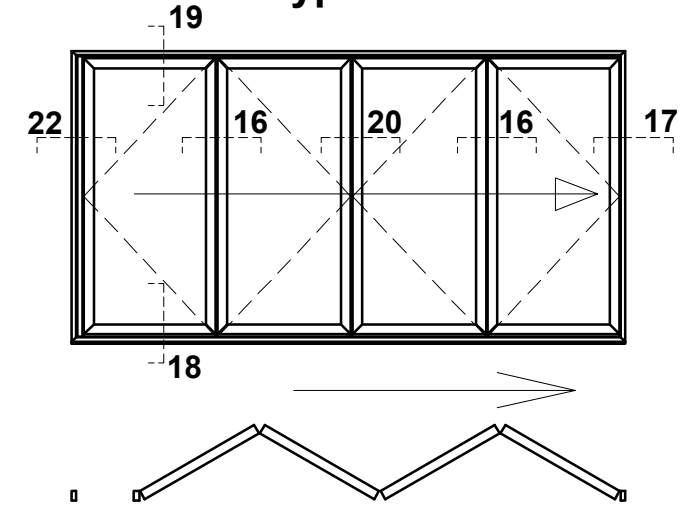
DV14		2		W
DV14		2		H
DV23		8		W/4 - 41
DV23		8		H-84
DV32		1		H-94
DV56		1		H-84
DV60		2		H-62
Glazing Bead		8		W/4 - 128.5
Glazing Bead		8		H-205
VG52		2		W-62
VG52		4		H-62
VG53		2		W-62

GLASS SIZES	4 X	W/4 - 138.5
		H - 181

ACCESSORIES

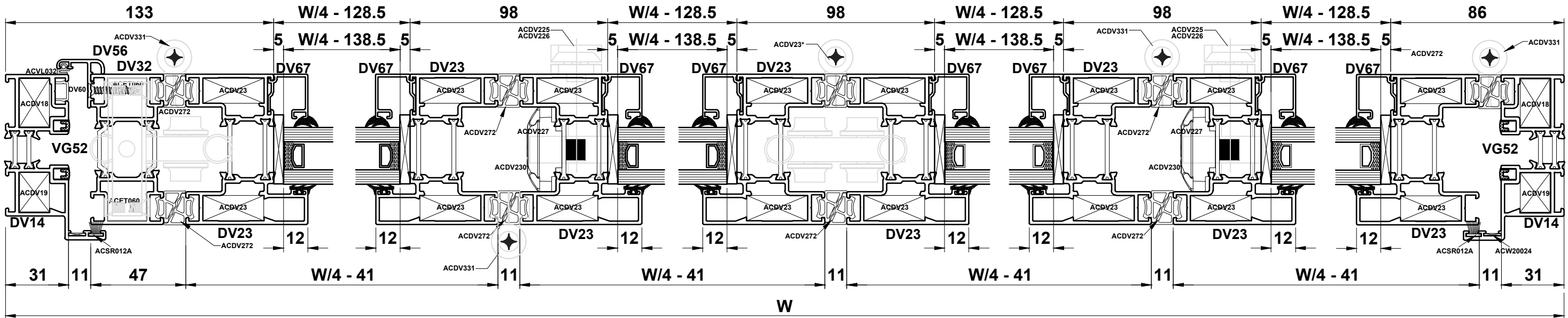
ACDV18	4	CLEAT FOR DV14
ACDV19	4	CLEAT FOR DV14
ACDV23	32	CLEAT FOR DV23
ACDV225 or 226	2	SHOOTBOLT HANDLE
ACDV227	2	SHOOTBOLT GEARBOX
ACDV228	2 (PAIRS)	SHOOTBOLT ROD
ACDV229	4	SHOOTBOLT GUIDE
ACDV230	2	SHOOTBOLT COVER
ACDV331	18	INTERMEDIATE HINGE
ACDV232	1	BOTTOM ROLLER HINGE
ACDV233	1	TOP GUIDE HINGE
ACDV274	2	D-HANDLE
ACDV272	4 x (W-62) 18 x (H-62)	SEALING GASKET (cut to fit)
ACDV275	4	CORNER MOULDS
ACDV380	1	DV32 BOTTOM ROLLER
ACDV381	1	DV32 TOP GUIDE
ACDV282	4	WOOLPILE CARRIER
ACDV56	1 (PAIR)	END CAP FOR DV56
ACET060	27	SCREW FOR DV56 & ACDV282
ACET133	4	SCREW FOR ACDV225/6
ACET131	2	DRAIN HOLE COVER
ACMX01604 (SL)	2	HALF CYLINDER
ACSR012A	2 x (W-90) + 2 x (H-90)	WOOLPILE
ACSR012A	4 x 47mm	WOOLPILE FOR ACDV282
ACVG31	8 x (W/4-139) + 8 x (H-181)	EXTERNAL GLAZING GASKET
ACVG34	8 x (W/4-139) + 8 x (H-181)	INTERNAL GLAZING GASKET
ACVL032	1 x (H-84)	DV56 FLIPPER GASKET
ACW20024	4	CHEVRON FOR DV14

Type 3i



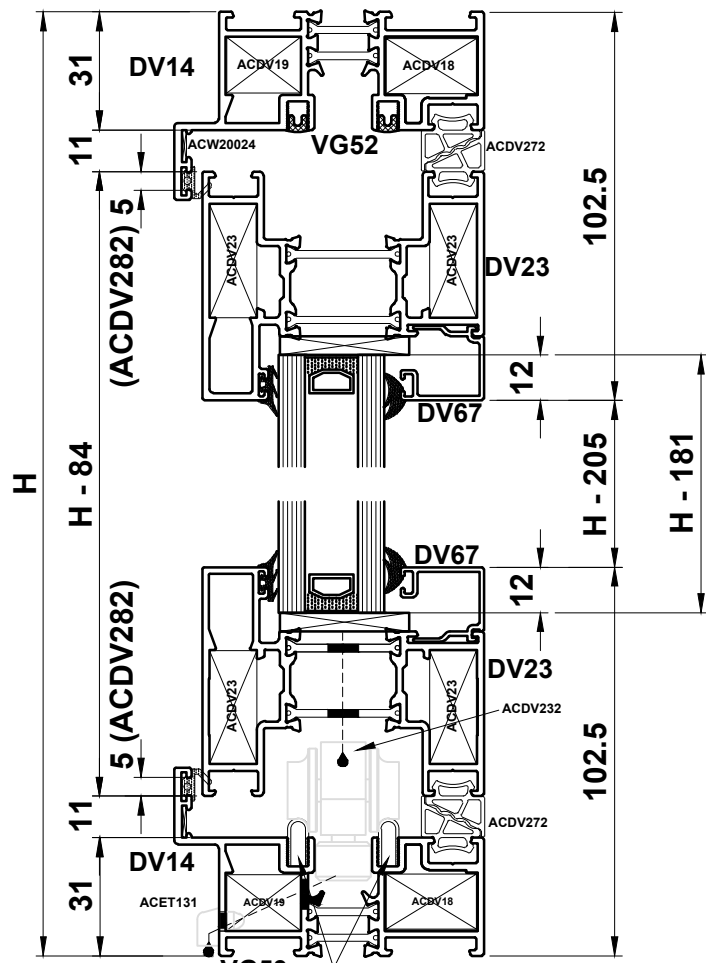
NOTE:
Design Type 3e does not offer external access or an individual traffic door.

IMPORTANT NOTE:
Min. Sash Width 700mm / Max. Sash Width 1200mm
Max. Sash Weight 100kg
Max. Sash Height 2500mm Dependant On Site Conditions
Always Measure In the Last Vent.



Do Not Scale From This Drawing

Cutting Information



PROFILE CUTTING SCHEDULE

DV14		2		W
DV14		2		H
DV23		8		W/4 - 32
DV23		8		H-84
DV60		1		H-62
Glazing Bead		8		W/4-119.5
Glazing Bead		8		H-205
DV68		2		H-84
DV76		2		H-84
VG52		2		W-62
VG52		4		H-62
VG53		2		W-62
PCX36		2		H-84

Note: PCX15 required for leaf heights over 2285mm.

GLASS SIZES	W/4 - 129.5
4 X	H - 181

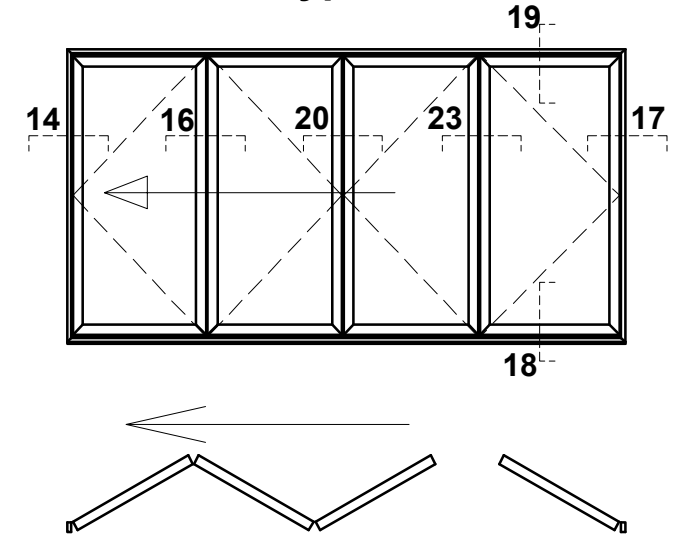
FOR ENHANCED WEATHER PERFORMANCE REPLACE ACDV244 FLIPPER GASKET WITH ACDV268 BUBBLE GASKET

ACCESSORIES

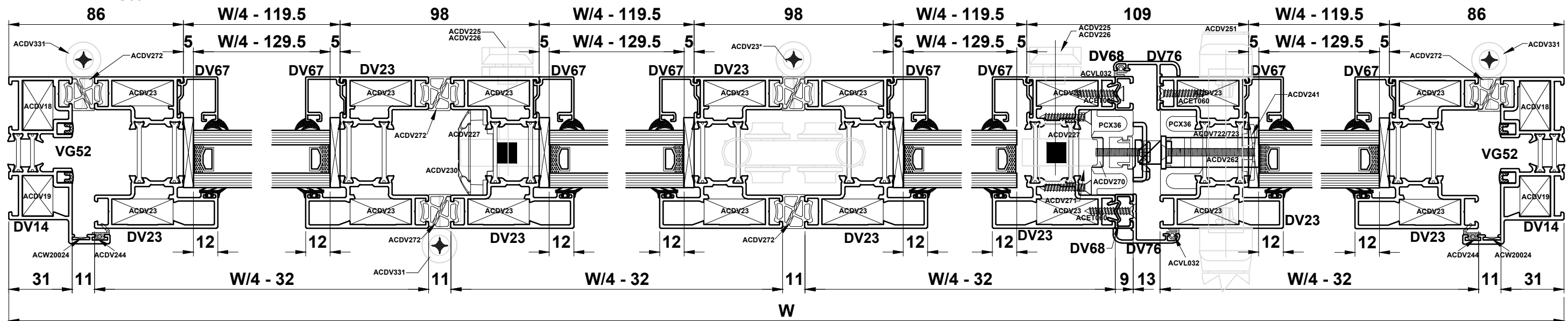
ACDV18	4	CLEAT FOR DV14
ACDV19	4	CLEAT FOR DV14
ACDV23	32	CLEAT FOR DV23
ACDV080	2	RUN UP BLOCK
ACDV225 or 226	2	SHOOTBOLT HANDLE
ACDV227	2	SHOOTBOLT GEARBOX
ACDV228	2 (PAIRS)	SHOOTBOLT ROD
ACDV229	4	SHOOTBOLT GUIDE
ACDV230	1	SHOOTBOLT COVER
ACDV331	14	INTERMEDIATE HINGE
ACDV232	1	BOTTOM ROLLER HINGE
ACDV233	1	TOP GUIDE HINGE
ACDV274	1	D-HANDLE/HINGE
ACDV241	11	FIXING BLOCK FOR LOCK
ACDV244	2 x (W-90) + 2 x (H-90)	FLIPPER GASKET
ACDV251	1 (PAIR)	LEVER HANDLES
ACDV258 (SL)	1	50/50 CYLINDER
ACDV262	11	SCREW FOR LOCK
ACDV264	15	SCREW FOR KEEPS
ACDV270	11	FIXING PLATE FOR KEEPS
ACDV271	11	PACKER FOR PCX36
ACDV272	4 x (W-62) 12 x (H-62)	SEALING GASKET (cut to fit)
ACDV275	4	CORNER MOULDS
ACDV76	2 (PAIRS)	END CAP FOR DV76
ACDV722/23	1	MULTI-POINT LOCK
ACET060	55	SCREW FOR DV68/DV76
ACET133	4	SCREW FOR ACDV225/6
ACET131	2	DRAIN HOLE COVER
ACMX01604 (SL)	1	HALF CYLINDER
ACVG31	8 x (W/4-130) + 8 x (H-181)	EXTERNAL GLAZING GASKET
ACVG34	8 x (W/4-130) + 8 x (H-181)	INTERNAL GLAZING GASKET
ACVL032	2 x (H-84)	DV76 FLIPPER GASKET
ACW20024	4	CHEVRON FOR DV14

+ Optional: 1 x ACDV308 Magnetic Catch

Type 4i



IMPORTANT NOTE:
Min. Sash Width 700mm / Max. Sash Width 1200mm
Max. Sash Weight 100kg
Max. Sash Height 2500mm Dependant On Site Conditions
Always Measure In the Last Vent.



Do Not Scale From This Drawing

Cutting Information

PROFILE CUTTING SCHEDULE

DV14		2		W
DV14		2		H
DV23		10		W/5 - 26.5
DV23		10		H-84
Glazing Bead		10		W/5-113
Glazing Bead		10		H-205
DV60		2		H-62
DV76		1		H-84
VG52		2		W-62
VG52		4		H-62
VG53		2		W-62
PCX36		1		H-84

Note: PCX15 required for leaf heights over 2285mm.

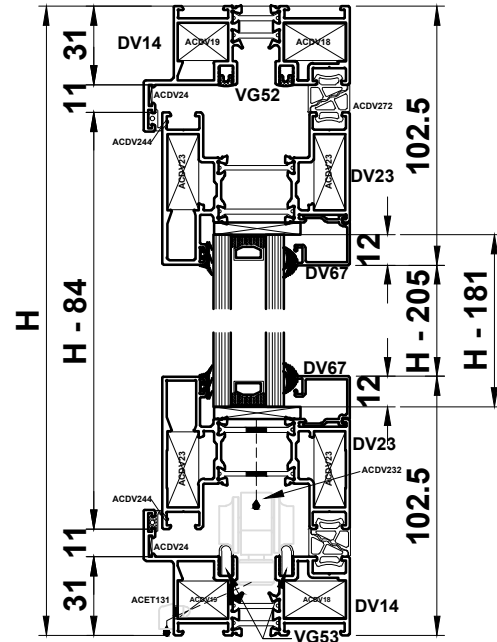
GLASS SIZES	5 X	W/5 - 123
		H - 181

FOR ENHANCED WEATHER PERFORMANCE REPLACE ACDV244 FLIPPER GASKET WITH ACDV268 BUBBLE GASKET

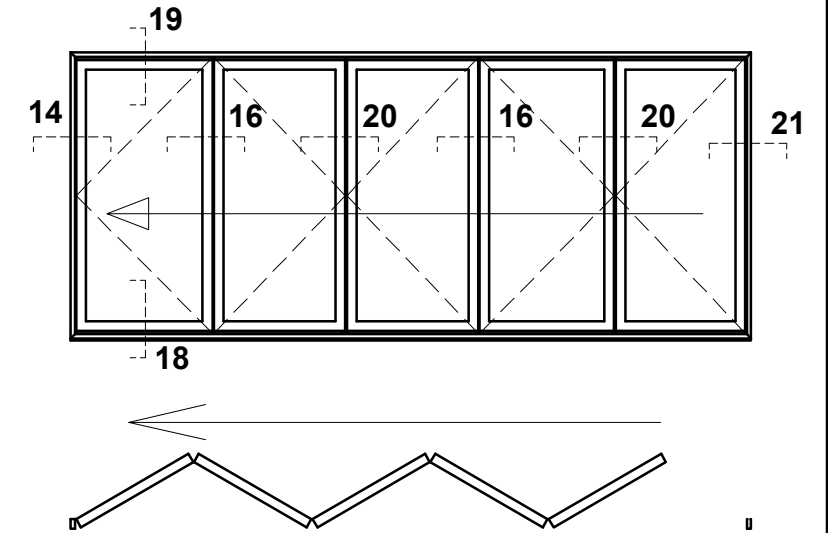
ACCESSORIES

ACDV18	4	CLEAT FOR DV14
ACDV19	4	CLEAT FOR DV14
ACDV23	40	CLEAT FOR DV23
ACDV080	1	RUN UP BLOCK
ACDV225 or 226	2	SHOOTBOLT HANDLE
ACDV227	2	SHOOTBOLT GEARBOX
ACDV228	2 (PAIR)	SHOOTBOLT ROD
ACDV229	4	SHOOTBOLT GUIDE
ACDV230	2	SHOOTBOLT COVER
ACDV331	16	INTERMEDIATE HINGE
ACDV232	2	BOTTOM ROLLER HINGE
ACDV233	2	TOP GUIDE HINGE
ACDV274	2	D-HANDLE/HINGE
ACDV241	11	FIXING BLOCK FOR LOCK
ACDV244	2 x (W-90) + 2 x (H-90)	FLIPPER GASKET
ACDV251	1 (PAIR)	LEVER HANDLES
ACDV258 (SL)	1	50/50 CYLINDER
ACDV262	11	SCREW FOR LOCK
ACDV264	11	SCREW FOR KEEPS
ACDV272	4 x (W-62) + 18 x (H-62)	SEALING GASKET (cut to fit)
ACDV275	5	CORNER MOULDS
ACDV76	1 (PAIR)	END CAP FOR DV76
ACDV722/23	1	MULTI-POINT LOCK
ACET060	11	SCREW FOR DV76
ACET133	4	SCREW FOR ACDV225/6
ACMX01604 (SL)	2	HALF CYLINDER
ACDV523	11	FIXING BLOCK FOR KEEPS
ACVG31	10 x (W/5-123) + 10 x (H-181)	EXTERNAL GLAZING GASKET
ACVG34	10 x (W/5-123) + 10 x (H-181)	INTERNAL GLAZING GASKET
ACVL032	1 x (H-84)	DV76 FLIPPER GASKET
ACW20024	4	CHEVRON FOR DV14

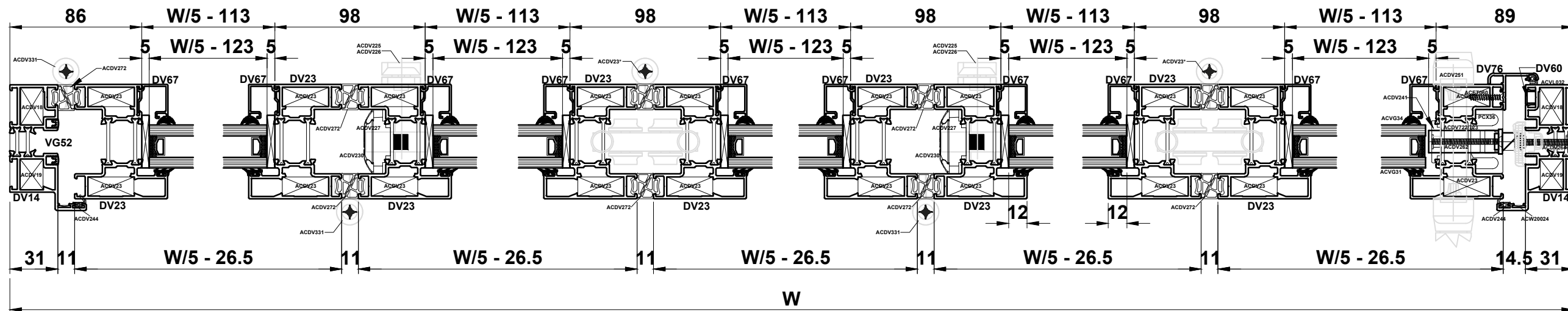
+ Optional: 1 x ACDV308 Magnetic Catch



Type 6i

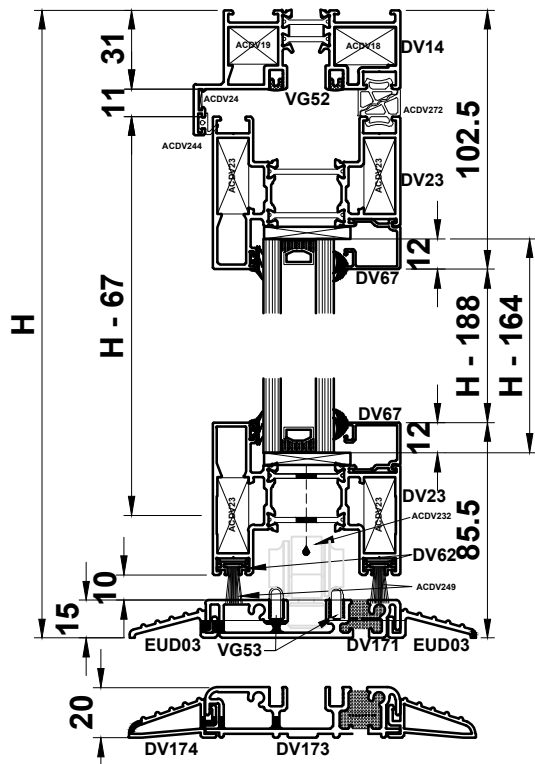


IMPORTANT NOTE:
Min. Sash Width 700mm / Max. Sash Width 1200mm
Max. Sash Weight 100kg
Max. Sash Height 2500mm Dependant On Site Conditions
Always Measure In the Last Vent.



Do Not Scale From This Drawing

Cutting Information



PROFILE CUTTING SCHEDULE

DV14		1		W
DV14		2		H
DV171		1		W-66
EUD03		1		W-66
EUD03		1		W-99
DV23		10		W/5-26
DV23		10		H-67
DV60		2		H-46
DV62		2		W/5-40
DV62		8		W/5-54
Glazing Bead		10		W/5-123
Glazing Bead		10		H-188
DV76		1		H-67
VG52		2		W-62
VG52		4		H-46
VG53		2		W-62
PCX36		1		H-67

PROFILE CUTTING SCHEDULE (DV173)

DV173		1		W-66
DV174		1		W-66
DV174		1		W-99
DV23		10		H-72
Glazing Bead		10		H-193
DV76		1		H-72
PCX36		1		H-72

Note: PCX15 required for leaf heights over 2285mm.

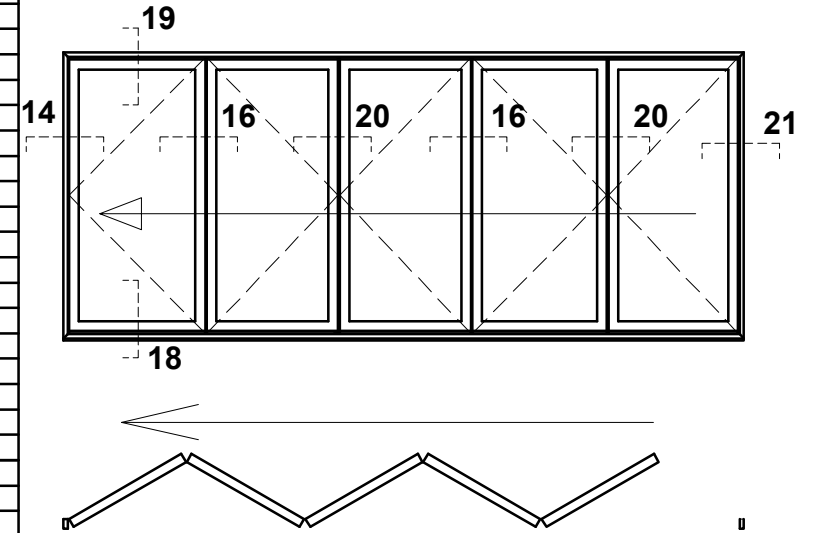
FOR ENHANCED WEATHER PERFORMANCE REPLACE ACDV244 FLIPPER GASKET WITH ACDV268 BUBBLE GASKET

ACCESSORIES

ACDV18	4	CLEAT FOR DV14
ACDV19	4	CLEAT FOR DV14
ACDV23	40	CLEAT FOR DV23
ACDV171/173	2	THRESHOLD ENDCAP
ACDV225 or 226	2	SHOOTBOLT HANDLE
ACDV227	2	SHOOTBOLT GEARBOX
ACDV228	2 (PAIR)	SHOOTBOLT ROD
ACDV229	4	SHOOTBOLT GUIDE
ACDV230	2	SHOOTBOLT COVER
ACDV331	16	INTERMEDIATE HINGE
ACDV232	2	BOTTOM ROLLER HINGE
ACDV233	2	TOP GUIDE HINGE
ACDV274	2	D-HANDLE/HINGE
ACDV241	11	FIXING BLOCK FOR LOCK
ACDV244	1 x (W-90) + 2 x (H-60)	FLIPPER GASKET
ACDV249	10 x (W/5-26)	WOOLPILE
ACDV251	1 (PAIR)	LEVER HANDLES
ACDV254	10 (PAIRS)	INFILL BLOCK
ACDV258 (SL)	1	50/50 CYLINDER
ACDV262	11	SCREW FOR LOCK
ACDV264	11	SCREW FOR KEEPS
ACDV272	2 x (W-62) + 18 x (H-62)	SEALING GASKET (cut to fit)
ACDV275	5	CORNER MOULDS
ACDV76	1 (PAIR)	END CAP FOR DV56
ACDV722/23	1	MULTI-POINT LOCK
ACDR052	4	SCREWS FOR THRESHOLD
ACET060	11	SCREW FOR DV76
ACET133	4	SCREW FOR ACDV225/6
ACMX01604 (SL)	2	HALF CYLINDER
ACDV523	11	FIXING BLOCK FOR KEEPS
ACVG31	10 x (W/5-123) + 10 x (H-164)	EXTERNAL GLAZING GASKET
ACVG34	10 x (W/5-123) + 10 x (H-164)	INTERNAL GLAZING GASKET
ACVL032	1 x (H-67)	DV56 FLIPPER GASKET
ACW20024	4	CHEVRON FOR DV14

+ Optional: 1 x ACDV308 Magnetic Catch

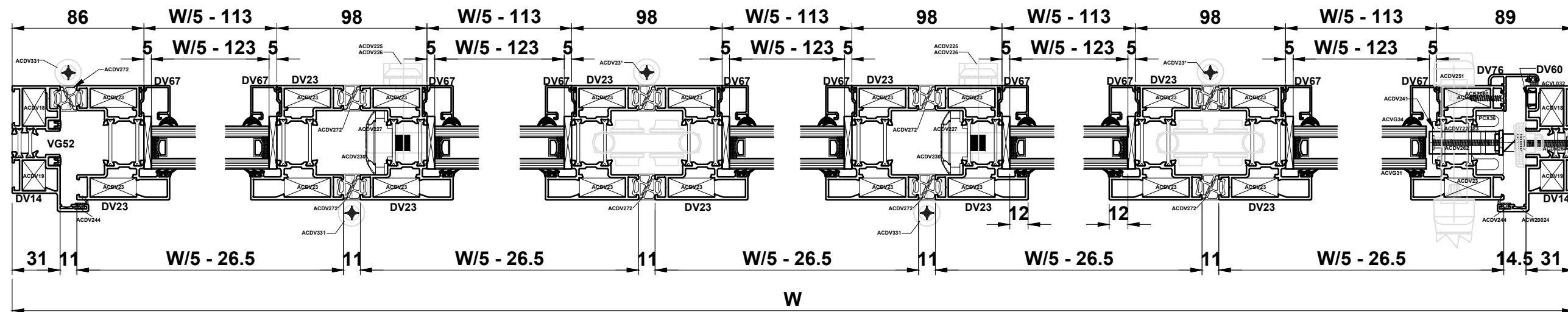
Type 6i



IMPORTANT NOTE:
Min. Sash Width 700mm / Max. Sash Width 1200mm
Max. Sash Weight 100kg
Max. Sash Height 2500mm Dependant On Site Conditions
Always Measure In the Last Vent.

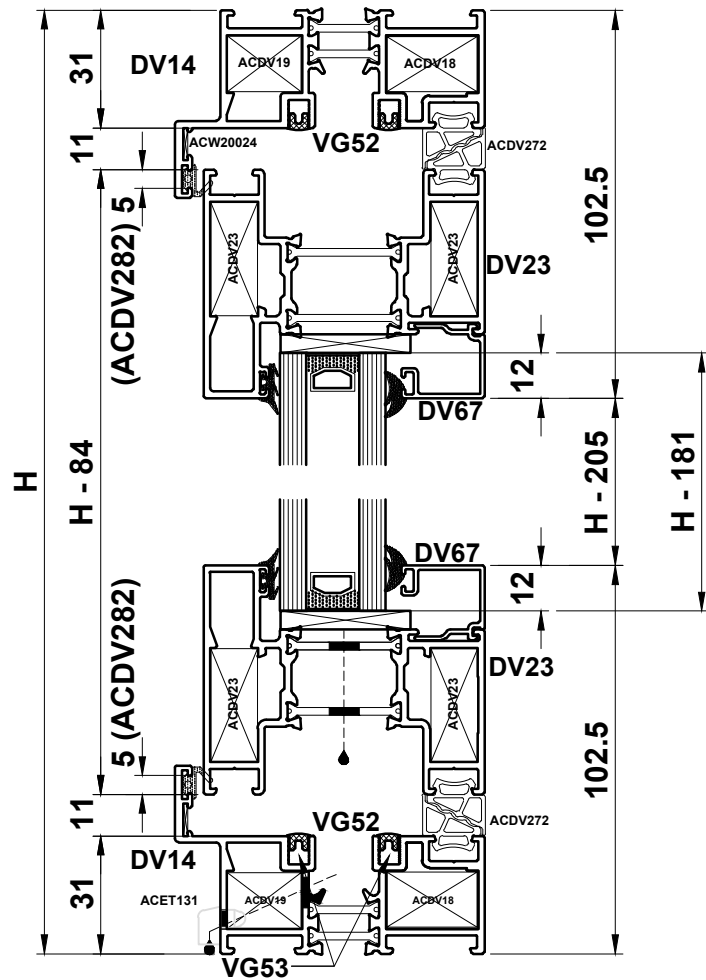
GLASS DEDUCTIONS

DV171	5 x	W/5 - 123	H - 164
DV173	5 x	W/5 - 123	H - 169



Do Not Scale From This Drawing

Cutting Information



PROFILE CUTTING SCHEDULE

DV14		2		W
DV14		2		H
DV23		2		W-84
DV23		2		H-87.5
Glazing Bead		2		W-175.5
Glazing Bead		2		H-205
DV60		2		H-62
DV76		1		H-84
VG52		4		W-62
VG52		4		H-62
PCX36		1		H-84

Note: PCX15 required for leaf heights over 2285mm.

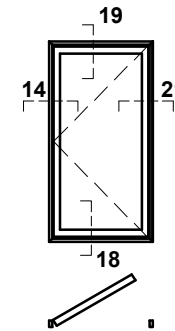
GLASS SIZES	1 X	W - 185.5
		H - 181

FOR ENHANCED WEATHER PERFORMANCE REPLACE ACDV244 FLIPPER GASKET WITH ACDV268 BUBBLE GASKET

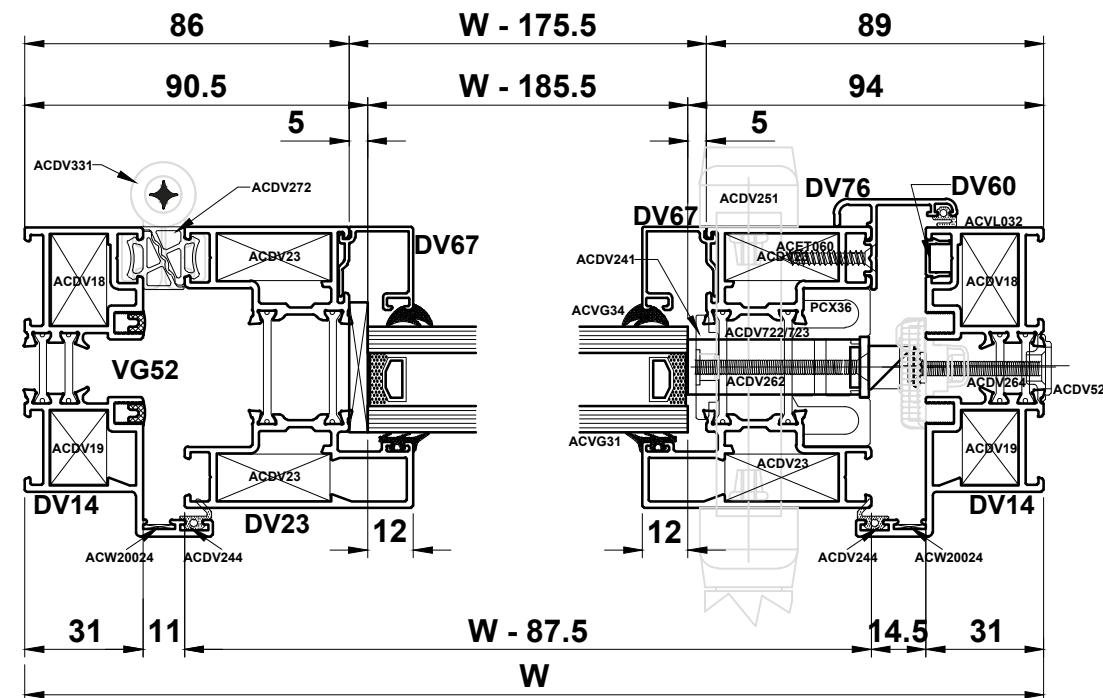
ACCESSORIES

ACDV18	4	CLEAT FOR DV14
ACDV19	4	CLEAT FOR DV14
ACDV23	8	CLEAT FOR DV23
ACDV080	1	RUN UP BLOCK
ACDV331	4	INTERMEDIATE HINGE
ACDV241	11	FIXING BLOCK FOR LOCK
ACDV244	2 x (W-90) + 2 x (H-90)	FLIPPER GASKET
ACDV251	1 (PAIR)	LEVER HANDLES
ACDV258 (SL)	1	50/50 CYLINDER
ACDV262	11	SCREW FOR LOCK
ACDV264	11	SCREW FOR KEEPS
ACDV272	4 x (W-90) + 2 x (H-90)	SEALING GASKET
ACDV275	1	CORNER MOULDS
ACDV76	1 (PAIR)	END CAP FOR DV76
ACDV722/23	1	MULTI-POINT LOCK
ACET060	11	SCREW FOR DV76
ACET131	2	DRAIN HOLE COVER
ACDV523	11	FIXING BLOCK FOR KEEPS
ACVG31	2 x (W-181) + 2 x (H-181)	EXTERNAL GLAZING GASKET
ACVG34	2 x (W-181) + 2 x (H-181)	INTERNAL GLAZING GASKET
ACVL032	1 x (H-84)	DV76 FLIPPER GASKET
ACW20024	4	CHEVRON FOR DV14

Single Door

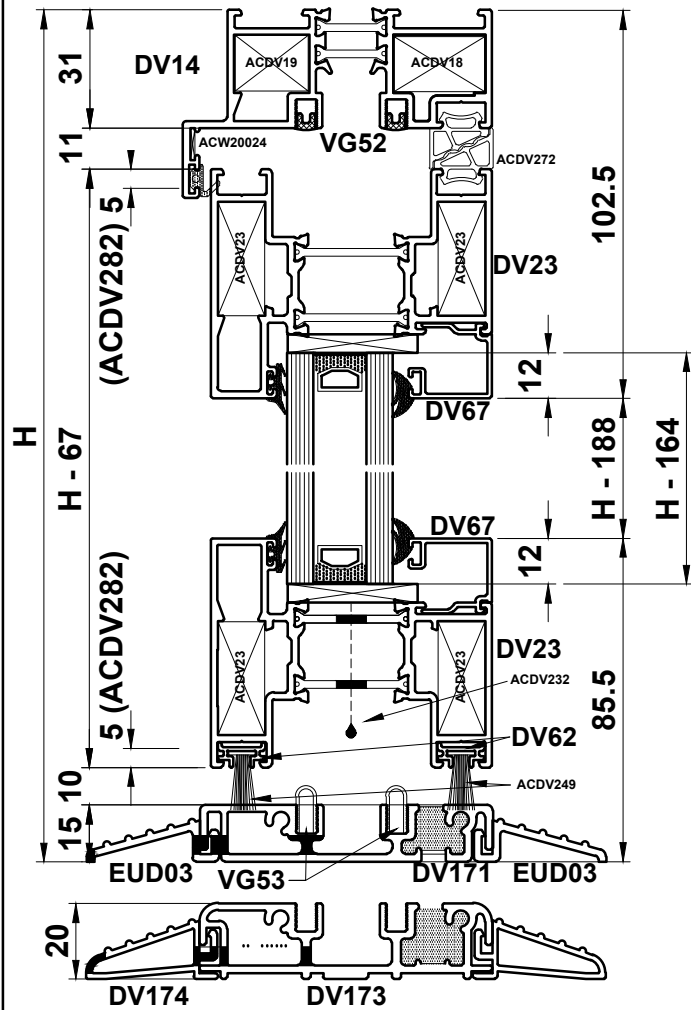


IMPORTANT NOTE:
Min. Sash Width 700mm / Max. Sash Width 1200mm
Max. Sash Weight 100kg
Max. Sash Height 2500mm Dependant On Site Conditions
Always Measure In the Last Vent.



Do Not Scale From This Drawing

Cutting Information



PROFILE CUTTING SCHEDULE

DV14		1		W
DV14		2		H
DV171		1		W-66
EUD03		1		W-66
DV23		2		W-84
DV23		2		H-67
DV60		2		H-46
DV62		2		W-87
Glazing Bead		2		W-172
Glazing Bead		2		H-188
DV76		1		H-67
VG52		4		W-62
VG52		4		H-46
PCX36		1		H-67

PROFILE CUTTING SCHEDULE (DV173)

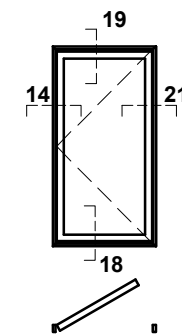
DV173		1		W-66
DV174		1		W-66
DV174		1		W-99
DV23		2		H-72
Glazing Bead		2		H-193
DV76		1		H-72
PCX36		1		H-72

Note: PCX15 required for leaf heights over 2285mm.

ACCESSORIES

ACDV18	2	CLEAT FOR DV14
ACDV19	2	CLEAT FOR DV14
ACDV23	8	CLEAT FOR DV23
ACDV171/173	2	THRESHOLD ENDCAP
ACDV331	4	INTERMEDIATE HINGE
ACDV241	11	FIXING BLOCK FOR LOCK
ACDV244	2 x (W-90) + 2 x (H-65)	FLIPPER GASKET
ACDV249	2 x (W-84)	WOOLPILE
ACDV251	1 (PAIR)	LEVER HANDLES
ACDV254	1 (PAIR)	INFILL BLOCK
ACDV258 (SL)	1	50/50 CYLINDER
ACDV262	11	SCREW FOR LOCK
ACDV264	11	SCREW FOR KEEPS
ACDV272	2 x (W-90) + 2 x (H-90)	SEALING GASKET
ACDV275	1	CORNER MOULDS
ACDV76	1 (PAIR)	END CAP FOR DV56
ACDV722/23	1	MULTI-POINT LOCK
ACDR052	4	SCREWS FOR THRESHOLD
ACET060	13	SCREW FOR DV76
ACDV523	11	FIXING BLOCK FOR KEEPS
ACVG31	2 x (W-181) + 2 x (H-164)	EXTERNAL GLAZING GASKET
ACVG34	2 x (W-181) + 2 x (H-164)	INTERNAL GLAZING GASKET
ACVL032	1 x (H-84)	DV76 FLIPPER GASKET
ACW20024	2	CHEVRON FOR DV14

Single Door



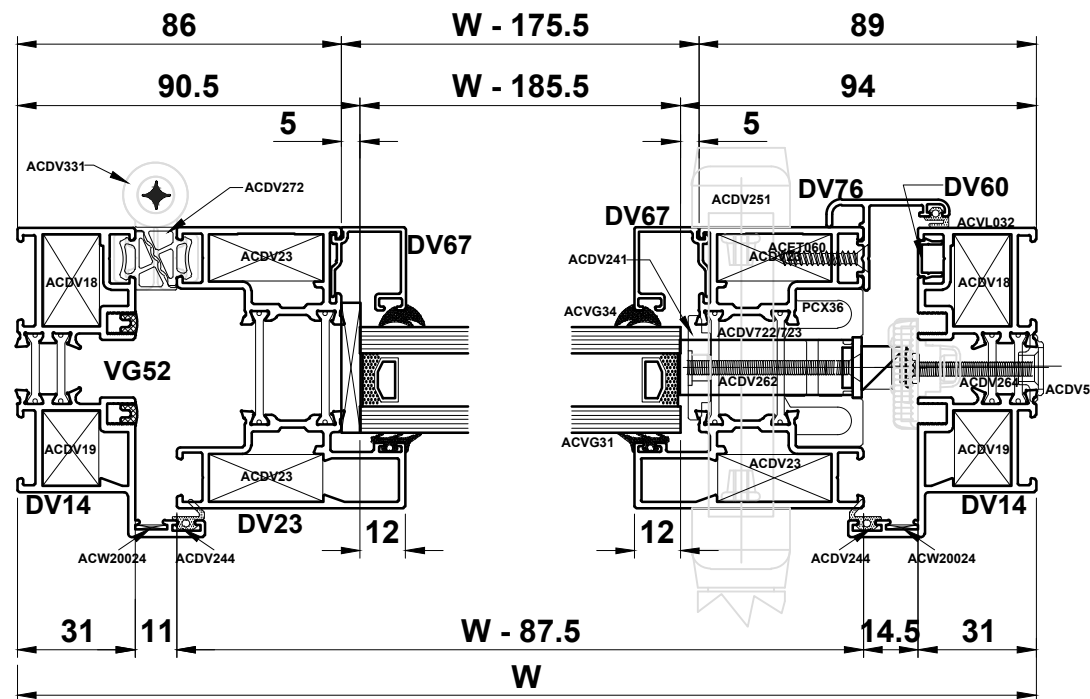
IMPORTANT NOTE:

Min. Sash Width 700mm / Max. Sash Width 1200mm
Max. Sash Weight 100kg
Max. Sash Height 2500mm Dependant On Site Conditions
Always Measure In the Last Vent.

GLASS DEDUCTIONS

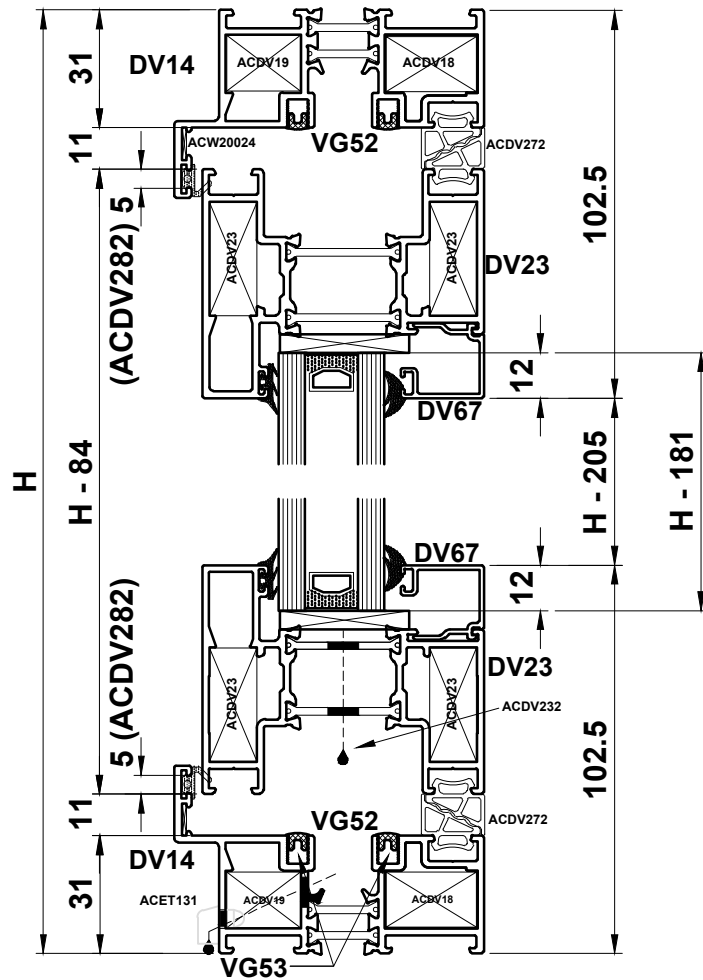
DV171	1 x	W - 185.5	H - 164
DV173	1 x	W - 185.5	H - 169

FOR ENHANCED WEATHER PERFORMANCE REPLACE ACDV244 FLIPPER GASKET WITH ACDV268 BUBBLE GASKET



Do Not Scale From This Drawing

Cutting Information



PROFILE CUTTING SCHEDULE

DV14		2		W
DV14		2		H
DV23		4		W/2 - 53.5
DV23		4		H-84
DV60		1		H-62
Glazing Bead		4		W/2-140.5
Glazing Bead		4		H-205
DV68		2		H-84
DV76		2		H-84
VG52		4		W-62
VG52		4		H-62
PCX36		2		H-84

Note: PCX15 required for leaf heights over 2285mm.

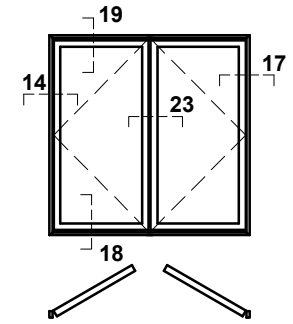
GLASS SIZES	2 X	W/2 - 150.5
		H - 181

FOR ENHANCED WEATHER PERFORMANCE REPLACE ACDV244 FLIPPER GASKET WITH ACDV268 BUBBLE GASKET

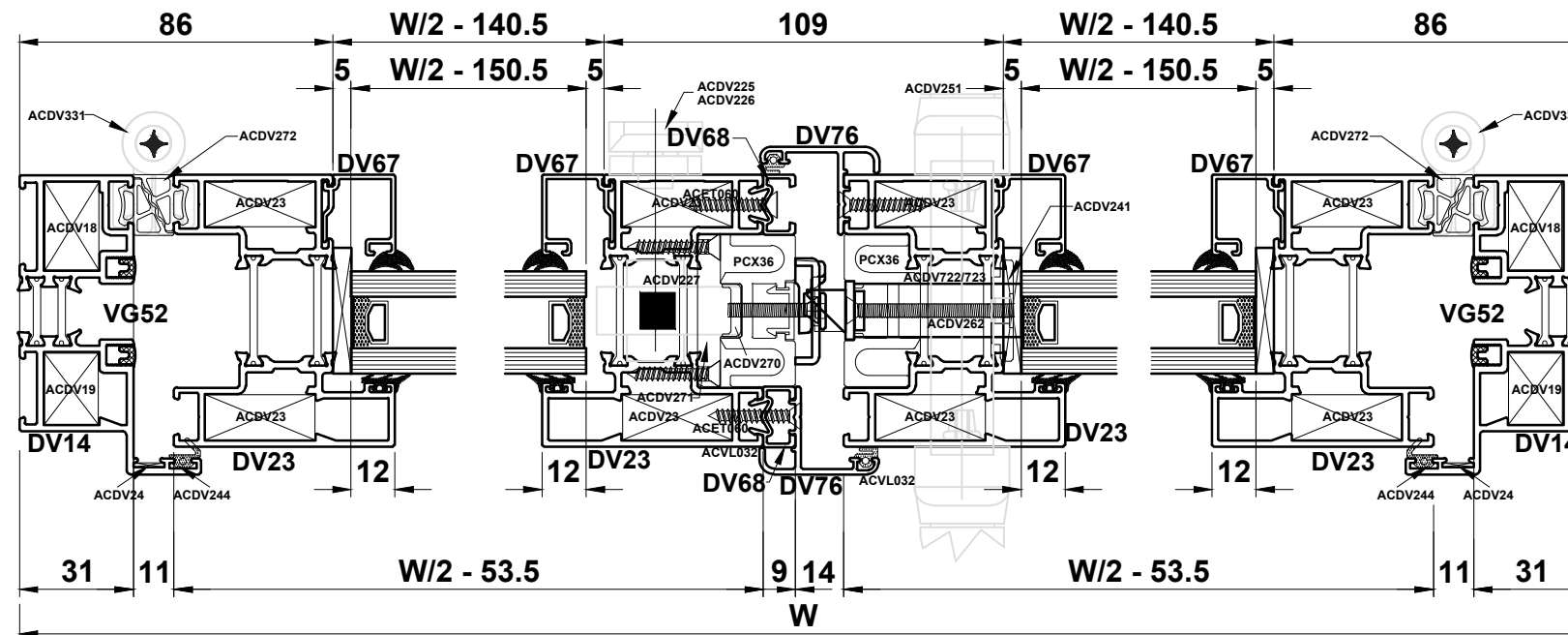
ACCESSORIES

ACDV18	4	CLEAT FOR DV14
ACDV19	4	CLEAT FOR DV14
ACDV23	16	CLEAT FOR DV23
ACDV080	2	RUN UP BLOCK
ACDV225 or 226	1	SHOOTBOLT HANDLE
ACDV227	1	SHOOTBOLT GEARBOX
ACDV228	1 (PAIR)	SHOOTBOLT ROD
ACDV229	2	SHOOTBOLT GUIDE
ACDV331	8	INTERMEDIATE HINGE
ACDV241	11	FIXING BLOCK FOR LOCK
ACDV244	2 x (W-90) + 2 x (H-90)	FLIPPER GASKET
ACDV251	1 (PAIR)	LEVER HANDLES
ACDV258 (SL)	1	50/50 CYLINDER
ACDV262	11	SCREW FOR LOCK
ACDV264	15	SCREW FOR KEEPS
ACDV270	9	FIXING PLATE FOR KEEPS
ACDV271	11	PACKER FOR PCX36
ACDV272	2 x (W-90) + 2 x (H-90)	SEALING GASKET
ACDV275	1	CORNER MOULDS
ACDV76	2 (PAIRS)	END CAP FOR DV76
ACDV722/23	1	MULTI-POINT LOCK
ACET060	55	SCREW FOR DV68 & DV76
ACET133	2	SCREW FOR ACDV225/6
ACET131	2	DRAIN HOLE COVER
ACMX01604 (SL)	1	HALF CYLINDER
ACVG31	2 x (W/2-141) + 2 x (H-181)	EXTERNAL GLAZING GASKET
ACVG34	2 x (W/2-141) + 2 x (H-181)	INTERNAL GLAZING GASKET
ACVL032	2 x (H-84)	DV76 FLIPPER GASKET
ACW20024	4	CHEVRON FOR DV14

Double Swing Door

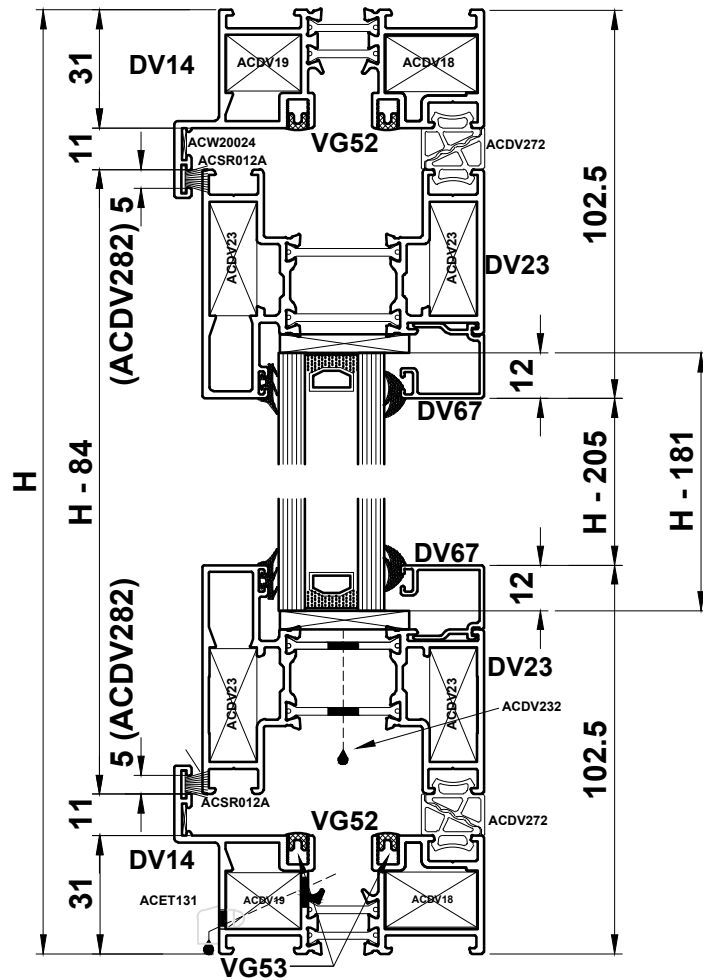


IMPORTANT NOTE:
Min. Sash Width 700mm / Max. Sash Width 1200mm
Max. Sash Weight 100kg
Max. Sash Height 2500mm Dependant On Site Conditions
Always Measure In the Last Vent.



Do Not Scale From This Drawing

Cutting Information



PROFILE CUTTING SCHEDULE

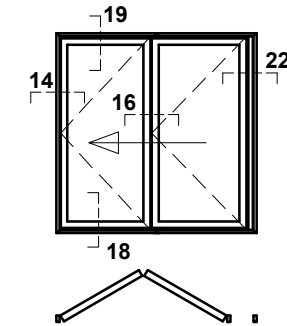
DV14		2		W
DV14		2		H
DV23		4		W/2 - 71
DV23		4		H-84
DV32		1		H-94
DV56		1		H-84
DV60		1		H-46
Glazing Bead		4		W/2-158.5
Glazing Bead		4		H-205
VG52		2		W-62
VG52		4		H-62
VG53		2		W-62

GLASS SIZES	2 X	W/2 - 168.5
		H - 181

ACCESSORIES

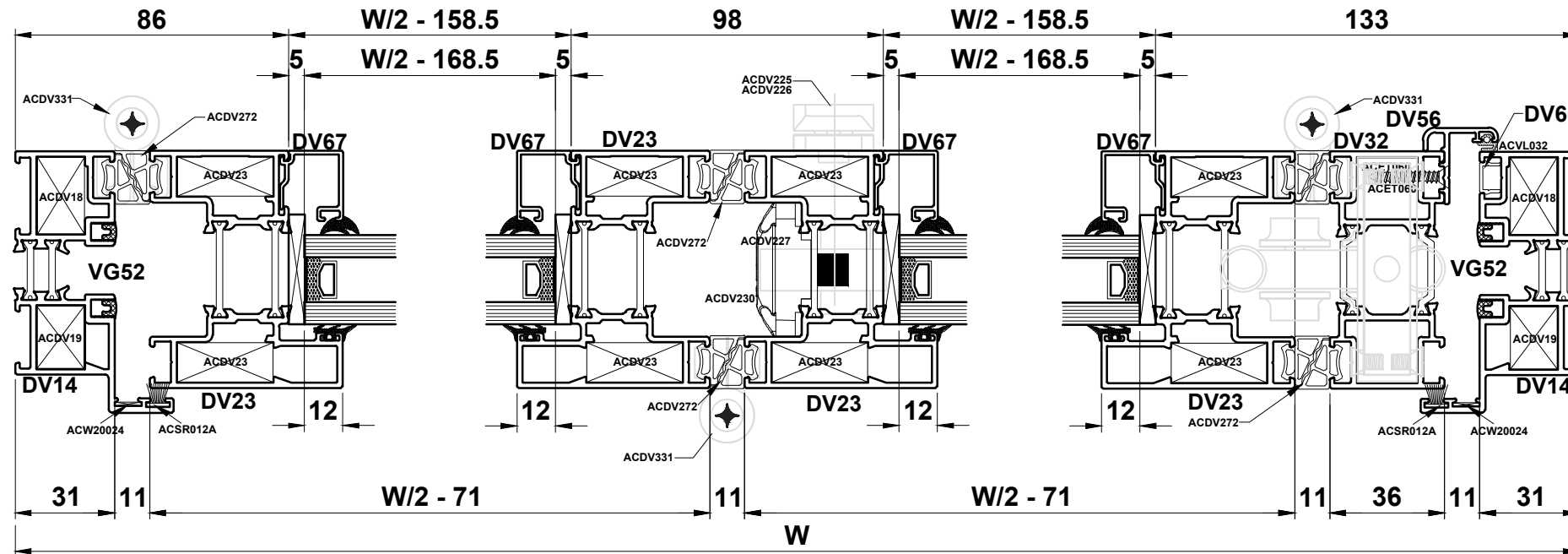
ACDV18	4	CLEAT FOR DV14
ACDV19	4	CLEAT FOR DV14
ACDV23	16	CLEAT FOR DV23
ACDV225 or 226	1	SHOOTBOLT HANDLE
ACDV227	1	SHOOTBOLT GEARBOX
ACDV228	1 (PAIR)	SHOOTBOLT ROD
ACDV229	2	SHOOTBOLT GUIDE
ACDV331	12	INTERMEDIATE HINGE
ACDV274	1	D-HANDLE
ACDV241	11	FIXING BLOCK FOR LOCK
ACDV56	1 (PAIR)	END CAP FOR DV56
ACDV272	4 x (W-90) + 10 x (H-90)	SEALING GASKET (cut to fit)
ACDV275	2	CORNER MOULDS
ACDV380	1	DV32 BOTTOM ROLLER
ACDV381	1	DV32 TOP GUIDE
ACDV282	4	WOOLPILE CARRIER
ACET060	15	SCREW FOR DV56
ACET133	2	SCREW FOR ACDV225/6
ACET131	2	DRAIN HOLE COVER
ACMX01604 (SL)	1	HALF CYLINDER
ACSR012A	2 x (W-90) + 2 x (H-90)	WOOLPILE
ACSR012A	4 x 47mm	WOOLPILE FOR ACDV282
ACVG31	2 x (W/2-168) + 2 x (H-181)	EXTERNAL GLAZING GASKET
ACVG34	2 x (W/2-168) + 2 x (H-181)	INTERNAL GLAZING GASKET
ACVL032	1 x (H-84)	DV56 FLIPPER GASKET
ACW20024	4	CHEVRON FOR DV14

Double Slide Door



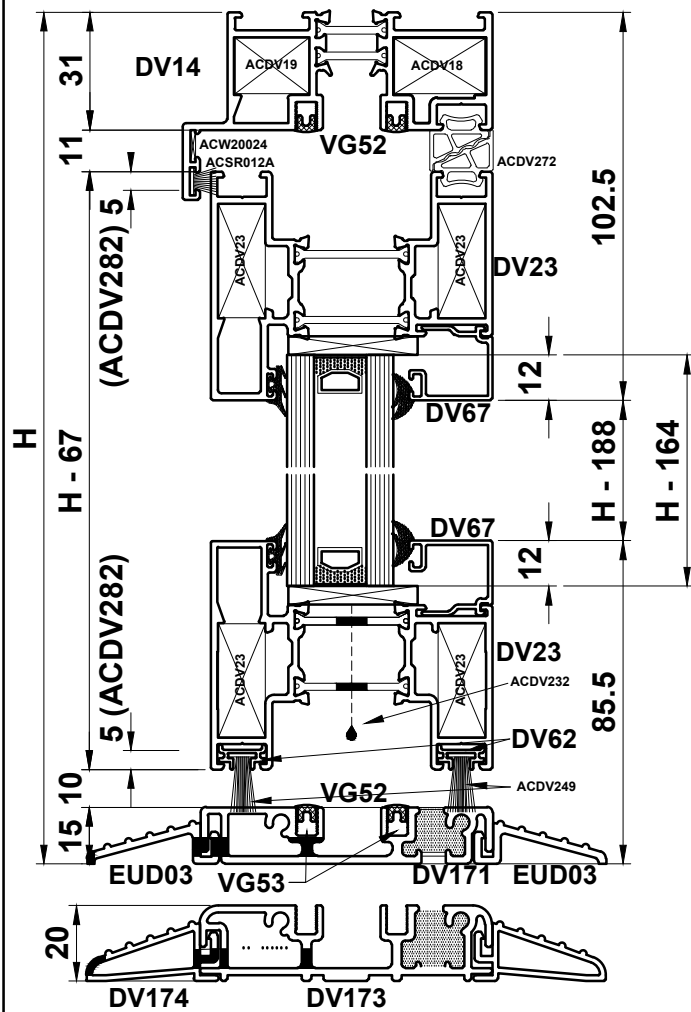
NOTE:
This design does not offer external access or an individual traffic door.

IMPORTANT NOTE:
Min. Sash Width 700mm / Max. Sash Width 1200mm
Max. Sash Weight 100kg
Max. Sash Height 2500mm Dependant On Site Conditions
Always Measure In the Last Vent.



Do Not Scale From This Drawing

Cutting Information



PROFILE CUTTING SCHEDULE

DV14		1		W
DV14		2		H
DV171		1		W-66
EUD03		1		W-66
EUD03		1		W-99
DV23		4		W/2-71
DV23		4		H-67
DV32		1		H-77
DV56		1		H-67
DV62		1		W/2-85
DV62		3		W/2-99
Glazing Bead		4		W/2-158.5
Glazing Bead		4		H-188
DV60		1		H-62
VG52		2		W-62
VG52		4		H-46
VG53		2		W-62

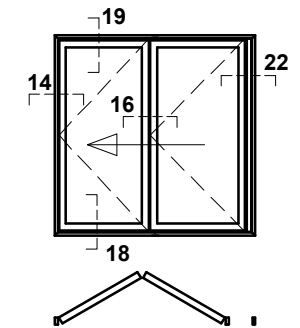
PROFILE CUTTING SCHEDULE (DV173)

DV173		1		W-66
DV174		1		W-66
DV174		1		W-99
DV23		4		H-72
DV32		1		H-82
DV56		2		H-72
Glazing Bead		4		H-193

ACCESSORIES

ACDV18	2	CLEAT FOR DV14
ACDV19	2	CLEAT FOR DV14
ACDV23	16	CLEAT FOR DV23
ACDV171/173	2	THRESHOLD ENDCAP
ACDV225 or 226	1	SHOOTBOLT HANDLE
ACDV227	1	SHOOTBOLT GEARBOX
ACDV228	1 (PAIR)	SHOOTBOLT ROD
ACDV229	2	SHOOTBOLT GUIDE
ACDV331	12	INTERMEDIATE HINGE
ACDV274	1	D-HANDLE
ACDV249	4 x (W/2-53)	WOOLPILE
ACDV249	2 x 47mm	WOOLPILE
ACDV254	5 (PAIRS)	INFILL BLOCK
ACDV272	2 x (W-90) + 10 x (H-90)	SEALING GASKET (cut to fit)
ACDV275	2	CORNER MOULDS
ACDV380	1	DV32 BOTTOM ROLLER
ACDV381	1	DV32 TOP GUIDE
ACDV282	4	WOOLPILE CARRIER
ACDV56	1 (PAIR)	END CAP FOR DV56
ACDR052	4	SCREWS FOR THRESHOLD
ACET060	13	SCREW FOR DV56
ACET133	2	SCREW FOR ACDV225/6
ACMX01604 (SL)	1	HALF CYLINDER
ACSR012A	1 x (W-90) + 2 x (H-90)	WOOLPILE
ACSR012A	2 x 47mm	WOOLPILE FOR ACDV282
ACVG31	2 x (W/2-168) + 2 x (H-188)	EXTERNAL GLAZING GASKET
ACVG34	2 x (W/2-168) + 2 x (H-188)	INTERNAL GLAZING GASKET
ACVL032	1 x (H-84)	DV56 FLIPPER GASKET
ACW20024	2	CHEVRON FOR DV14

Double Slide Door



NOTE:

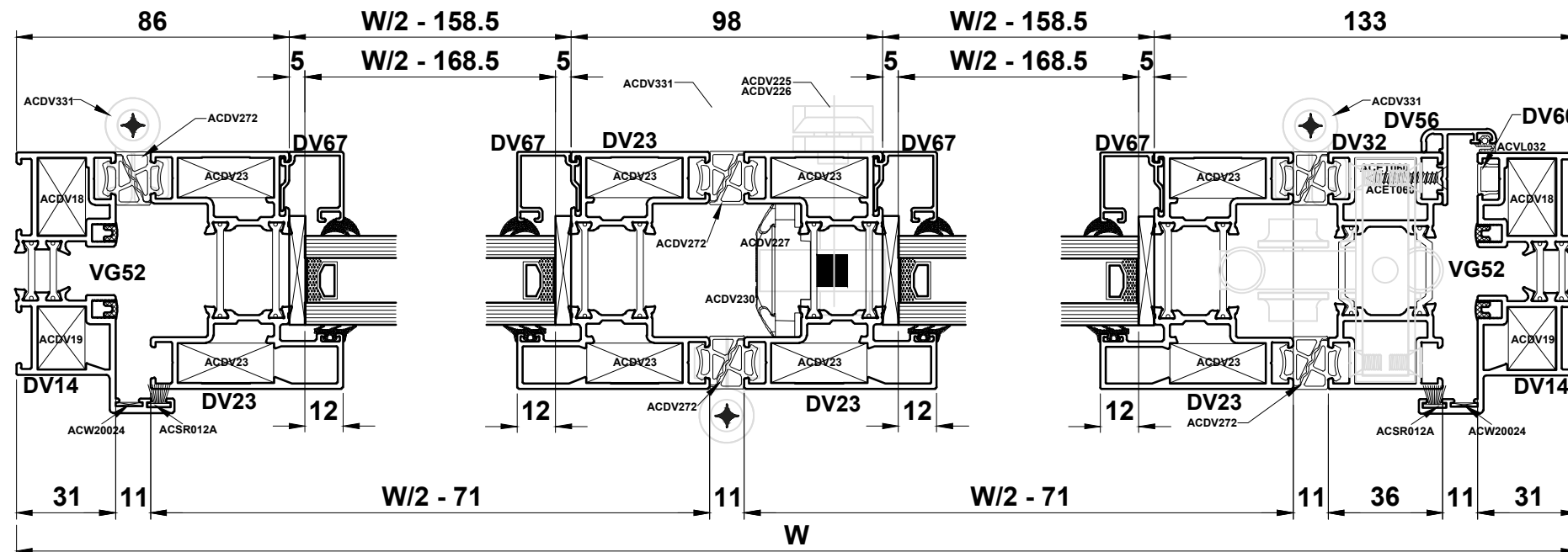
This design does not offer external access or an individual traffic door.

IMPORTANT NOTE:

Min. Sash Width 700mm / Max. Sash Width 1200mm
Max. Sash Weight 100kg
Max. Sash Height 2500mm Dependant On Site Conditions
Always Measure In the Last Vent.

GLASS DEDUCTIONS

DV171	2 x	W/2 - 168.5	H - 164
DV173	2 x	W/2 - 168.5	H - 169



Do Not Scale From This Drawing

Cutting Information

PROFILE CUTTING SCHEDULE

DV14		2		W
DV14		2		H
DV23		10		W/5-35.5
DV23		10		H-84
DV38		1		H-94
DV60		2		H-62
DV76		2		H-84
Glazing Bead		10		W/5-123
Glazing Bead		10		H-205
VG52		2		W-62
VG52		4		H-62
VG53		2		W-62
PCX36		1		H-84
PCX38		1		H-84

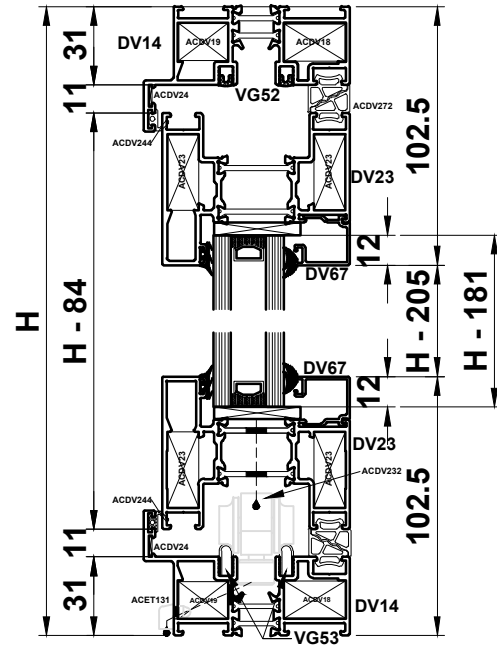
Note: PCX15 required for leaf heights over 2285mm.

GLASS SIZES	5 X	W/5 - 133
		H - 181

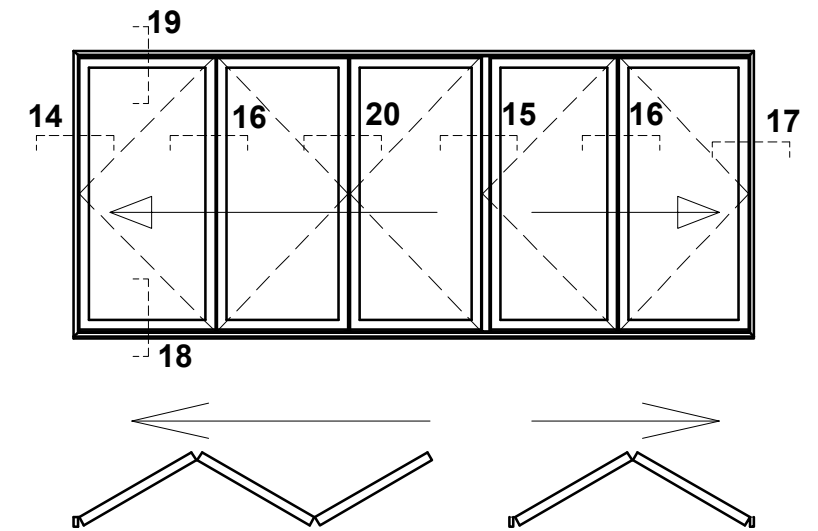
ACCESSORIES

ACDV18	4	CLEAT FOR DV14
ACDV19	4	CLEAT FOR DV14
ACDV23	40	CLEAT FOR DV23
ACDV080	1	RUN UP BLOCK
ACDV225 or 226	2	SHOOTBOLT HANDLE
ACDV227	2	SHOOTBOLT GEARBOX
ACDV228	2 (PAIRS)	SHOOTBOLT ROD
ACDV229	4	SHOOTBOLT GUIDE
ACDV230	2	SHOOTBOLT COVER
ACDV331	20	INTERMEDIATE HINGE
ACDV232	1	BOTTOM ROLLER HINGE
ACDV233	1	TOP GUIDE HINGE
ACDV274	2	D-HANDLE/HINGE
ACDV241	22	FIXING BLOCK FOR LOCK
ACDV251	1 (PAIR)	LEVER HANDLES
ACDV258 (SL)	1	50/50 CYLINDER
ACDV262	22	SCREW FOR LOCK & KEEPS
ACDV56	2 (PAIRS)	END CAP FOR DV76
ACDV272	4 x (W-62) + 20 x (H-62)	SEALING GASKET
ACDV275	5	CORNER MOULDS
ACDV380	1	DV32 BOTTOM ROLLER
ACDV381	1	DV32 TOP GUIDE
ACDV282	4	WOOLPILE CARRIER
ACDV722/23	1	MULTI-POINT LOCK
ACET060	26	SCREW FOR DV56 & HINGES
ACET133	4	SCREW FOR ACDV225/6
ACET131	2	DRAIN HOLE COVER
ACMX01604 (SL)	2	HALF CYLINDER
ACSR012A	2 x (W-90) + 2 x (H-90)	WOOLPILE
ACSR012A	2 x 47mm	WOOLPILE FOR ACDV282
ACVG31	10 x (W/5-123) + 10 x (H-181)	EXTERNAL GLAZING GASKET
ACVG34	10 x (W/5-123) + 10 x (H-181)	INTERNAL GLAZING GASKET
ACVL032	2 x (H-84)	DV56 FLIPPER GASKET
ACW20024	4	CHEVRON FOR DV14

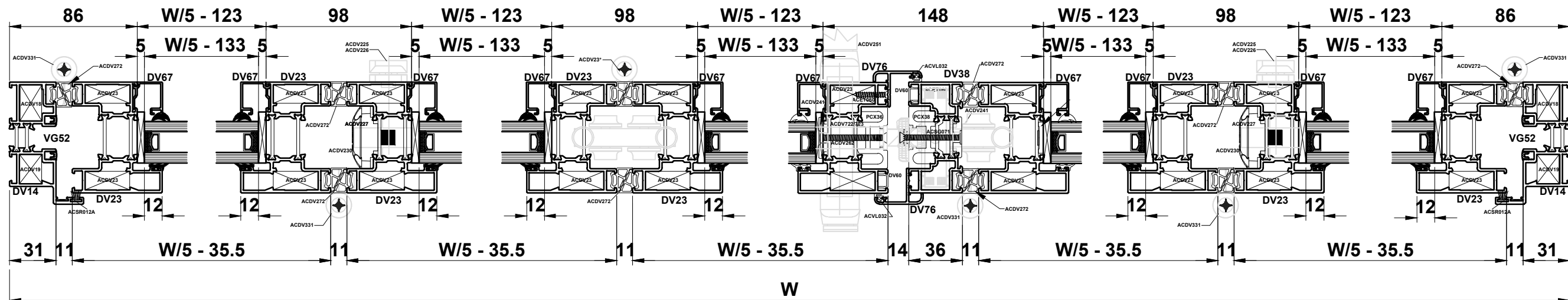
+ Optional: 1 x ACDV308 Magnetic Catch



3/2 Door

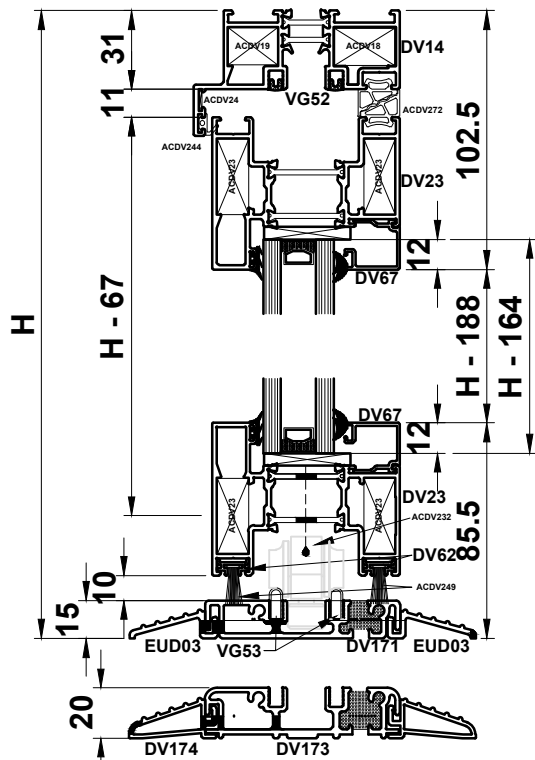


IMPORTANT NOTE:
Min. Sash Width 700mm / Max. Sash Width 1200mm
Max. Sash Weight 100kg
Max. Sash Height 2500mm Dependant On Site Conditions
Always Measure In the Last Vent.



Do Not Scale From This Drawing

Cutting Information



PROFILE CUTTING SCHEDULE

DV14		1		W
DV14		2		H
DV171		1		W-66
EUD03		1		W-66
EUD03		1		W-99
DV23		10		W/5-35
DV23		10		H-67
DV38		1		H-77
DV76		2		H-67
DV60		2		H-46
DV62		2		W/5-40
DV62		8		W/5-54
Glazing Bead		10		W/5-123
Glazing Bead		10		H-188
VG52		2		W-62
VG52		4		H-46
VG53		2		W-62
PCX36		1		H-67
PCX38		1		H-67

PROFILE CUTTING SCHEDULE (DV173)

DV173		1		W-66
DV174		1		W-66
DV174		1		W-99
DV23		10		H-72
DV38		1		H-82
DV76		2		H-72
Glazing Bead		10		H-193
PCX36		1		H-72
PCX38		1		H-72

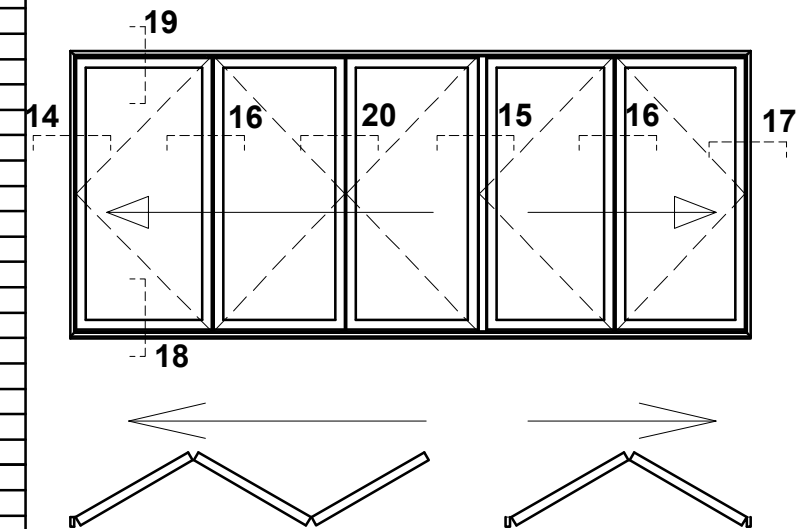
Note: PCX15 required for leaf heights over 2285mm.

ACCESSORIES

ACDV18	4	CLEAT FOR DV14
ACDV19	4	CLEAT FOR DV14
ACDV23	40	CLEAT FOR DV23
ACDV171/173	2	THRESHOLD ENDCAP
ACDV225 or 226	2	SHOOTBOLT HANDLE
ACDV227	2	SHOOTBOLT GEARBOX
ACDV228	2 (PAIRS)	SHOOTBOLT ROD
ACDV229	4	SHOOTBOLT GUIDE
ACDV230	2	SHOOTBOLT COVER
ACDV331	20	INTERMEDIATE HINGE
ACDV232	1	BOTTOM ROLLER HINGE
ACDV233	1	TOP GUIDE HINGE
ACDV274	2	D-HANDLE/HINGE
ACDV241	22	FIXING BLOCK FOR LOCK
ACDV249	10 x (W/5-35)	WOOLPILE
ACDV249	2 x 47mm	WOOLPILE FOR ACDV282
ACDV251	1 (PAIR)	LEVER HANDLES
ACDV254	10 (PAIRS)	INFILL BLOCK
ACDV258 (SL)	1	50/50 CYLINDER
ACDV262	22	SCREW FOR LOCK & KEEPS
ACDV76	2 (PAIRS)	END CAP FOR DV76
ACDV272	2 x (W-62) + 20 x (H-62)	SEALING GASKET
ACDV275	5	CORNER MOULDS
ACDV380	1	DV32 BOTTOM ROLLER
ACDV381	1	DV32 TOP GUIDE
ACDV282	4	WOOLPILE CARRIER
ACDV722/23	1	MULTI-POINT LOCK
ACDR052	4	SCREWS FOR THRESHOLD
ACET060	26	SCREW FOR DV76 & ACDV252
ACET133	4	SCREW FOR ACDV225/6
ACMX01604 (SL)	2	HALF CYLINDER
ACSR012A	1 x (W-90) + 2 x (H-60)	WOOLPILE
ACSR012A	2 x 47mm	WOOLPILE FOR ACDV282
ACVG31	10 x (W/5-132) + 10 x (H-164)	EXTERNAL GLAZING GASKET
ACVG34	10 x (W/5-132) + 10 x (H-164)	INTERNAL GLAZING GASKET
ACVL032	2 x (H-67)	DV56 FLIPPER GASKET
ACW20024	4	CHEVRON FOR DV14
ACDV292	1	BRUSH PILE CARRIER

+ Optional: 1 x ACDV308 Magnetic Catch

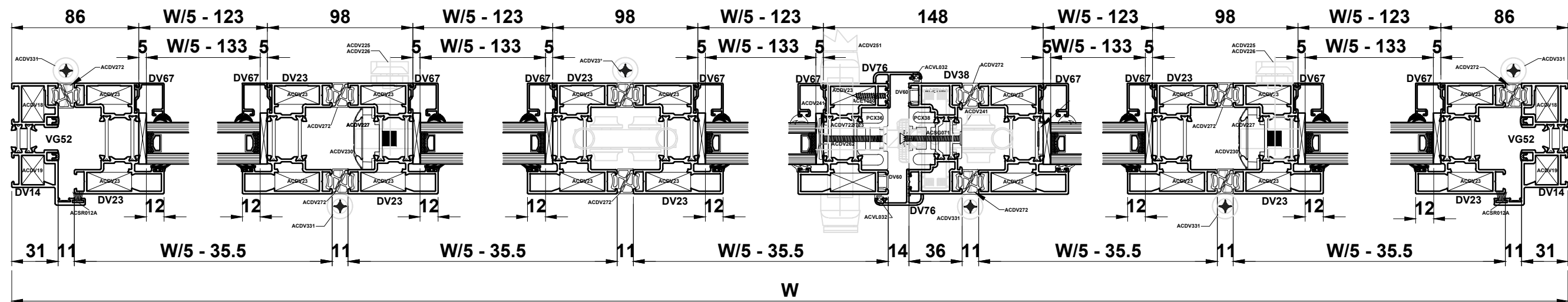
3/2 Door



IMPORTANT NOTE:
Min. Sash Width 700mm / Max. Sash Width 1200mm
Max. Sash Weight 100kg
Max. Sash Height 2500mm Dependant On Site Conditions
Always Measure In the Last Vent.

GLASS DEDUCTIONS

DV171	5 x	W/5 - 133	H - 164
DV173	5 x	W/5 - 133	H - 169



Do Not Scale From This Drawing

Cutting Information

PROFILE CUTTING SCHEDULE

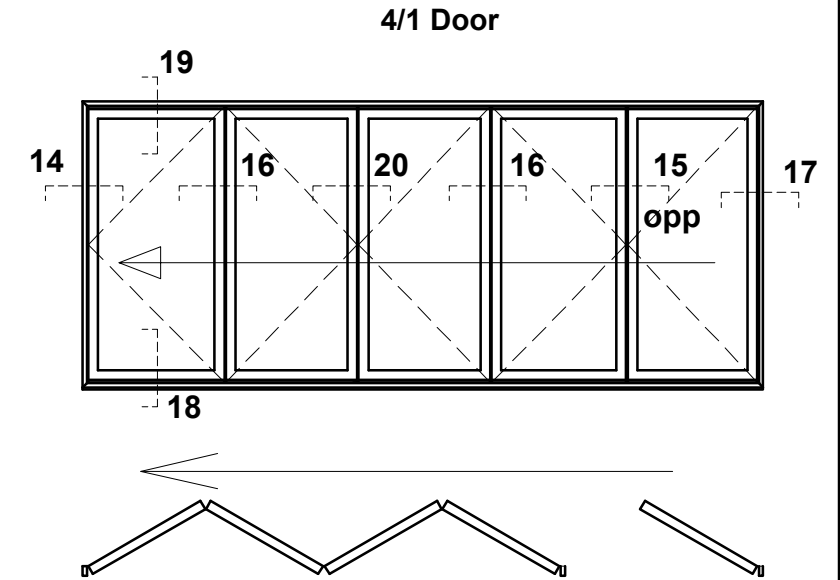
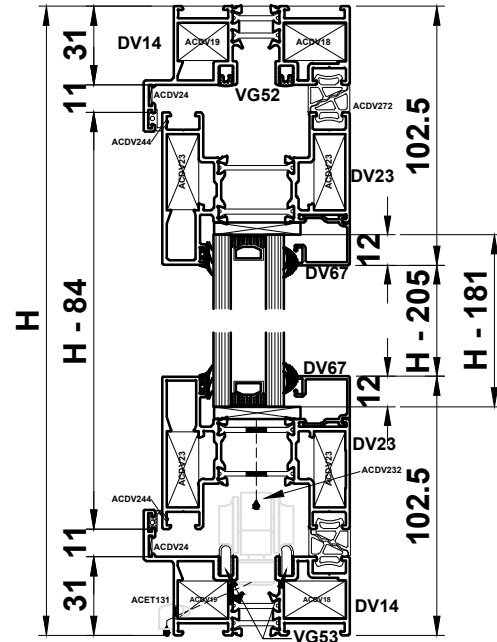
DV14		2		W
DV14		2		H
DV23		10		W/5-35.5
DV23		10		H-84
DV38		1		H-84
Glazing Bead		10		W/5-123
Glazing Bead		10		H-205
DV60		2		H-62
DV76		2		H-84
VG52		2		W-62
VG52		4		H-62
VG53		2		W-62
PCX36		1		H-84
PCX38		1		H-84

Note: PCX15 required for leaf heights over 2285mm.

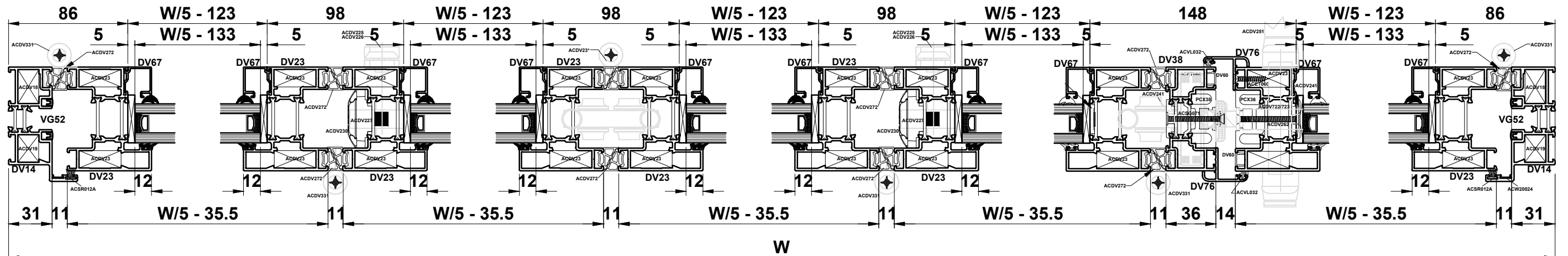
GLASS SIZES	5 X	W/5 - 133
		H - 181

ACCESSORIES

ACDV18	4	CLEAT FOR DV14
ACDV19	4	CLEAT FOR DV14
ACDV23	40	CLEAT FOR DV23
ACDV080	1	RUN UP BLOCK
ACDV225 or 226	2	SHOOTBOLT HANDLE
ACDV227	2	SHOOTBOLT GEARBOX
ACDV228	2 (PAIR)	SHOOTBOLT ROD
ACDV229	4	SHOOTBOLT GUIDE
ACDV230	2	SHOOTBOLT COVER
ACDV331	22	INTERMEDIATE HINGE
ACDV232	1	BOTTOM ROLLER HINGE
ACDV233	1	TOP GUIDE HINGE
ACDV274	2	D-HANDLE/HINGE
ACDV241	11	FIXING BLOCK FOR LOCK
ACDV251	1 (PAIR)	LEVER HANDLES
ACDV258 (SL)	1	50/50 CYLINDER
ACDV262	11	SCREW FOR LOCK
ACDV264	11	SCREW FOR KEEPS
ACDV272	2 x (W-62) + 20 x (H-62)	SEALING GASKET (cut to fit)
ACDV275	5	CORNER MOULDS
ACDV380	1	DV32 BOTTOM ROLLER
ACDV381	1	DV32 TOP GUIDE
ACDV282	4	WOOLPILE CARRIER
ACDV76	1 (PAIR)	END CAP FOR DV76
ACDV722/23	1	MULTI-POINT LOCK
ACET060	62	SCREW FOR DV76
ACET133	4	SCREW FOR ACDV225/6
ACMX01604 (SL)	2	HALF CYLINDER
ACDV523	11	FIXING BLOCK FOR KEEPS
ACSR012A	2 x (W-90) + 2 x (H-90)	WOOLPILE
ACSR012A	4 x 47mm	WOOLPILE FOR ACDV282
ACVG31	10 x (W/5-132) + 10 x (H-181)	EXTERNAL GLAZING GASKET
ACVG34	10 x (W/5-132) + 10 x (H-181)	INTERNAL GLAZING GASKET
ACVL032	1 x (H-84)	DV56 FLIPPER GASKET
ACW20024	4	CHEVRON FOR DV14

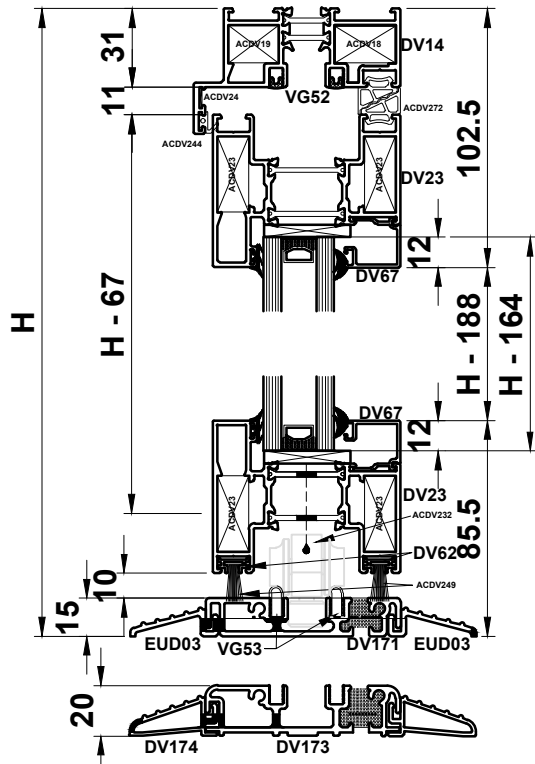


IMPORTANT NOTE:
Min. Sash Width 700mm / Max. Sash Width 1200mm
Max. Sash Weight 100kg
Max. Sash Height 2500mm Dependant On Site Conditions
Always Measure In the Last Vent.



Do Not Scale From This Drawing

Cutting Information



PROFILE CUTTING SCHEDULE

DV14	1	W
DV14	2	H
DV171	1	W-66
EUD03	1	W-66
EUD03	1	W-99
DV23	10	W/5-35.5
DV23	10	H-67
DV38	1	H-77
DV60	2	H-46
DV62	2	W/5-63
DV62	8	W/5-78
Glazing Bead	10	W/5-123
Glazing Bead	10	H-188
DV76	2	H-77
VG52	2	W-62
VG52	4	H-46
VG53	2	W-62
PCX36	1	H-67
PCX38	1	H-67

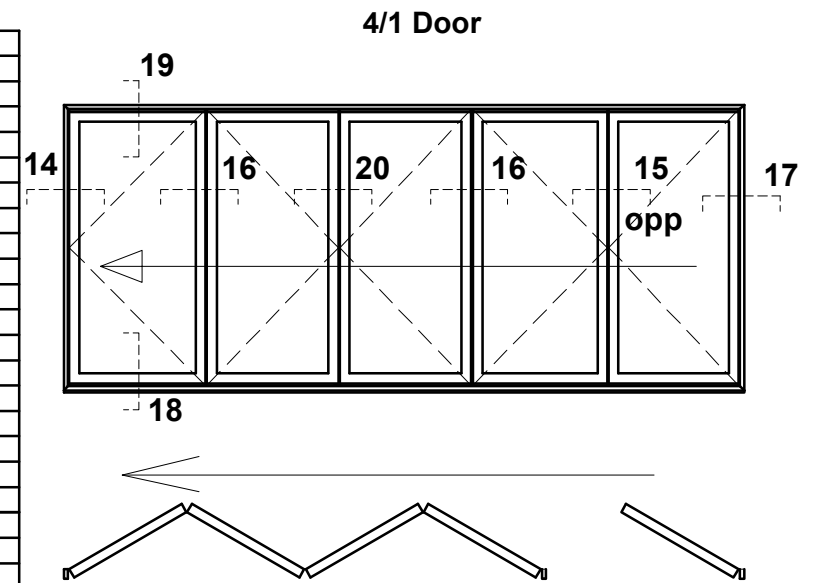
PROFILE CUTTING SCHEDULE (DV173)

DV173	1	W-66
DV174	1	W-66
DV174	1	W-99
DV23	10	H-72
DV38	1	H-82
Glazing Bead	10	H-193
DV76	2	H-72
PCX36	1	H-72
PCX38	1	H-72

Note: PCX15 required for leaf heights over 2285mm.

ACCESSORIES

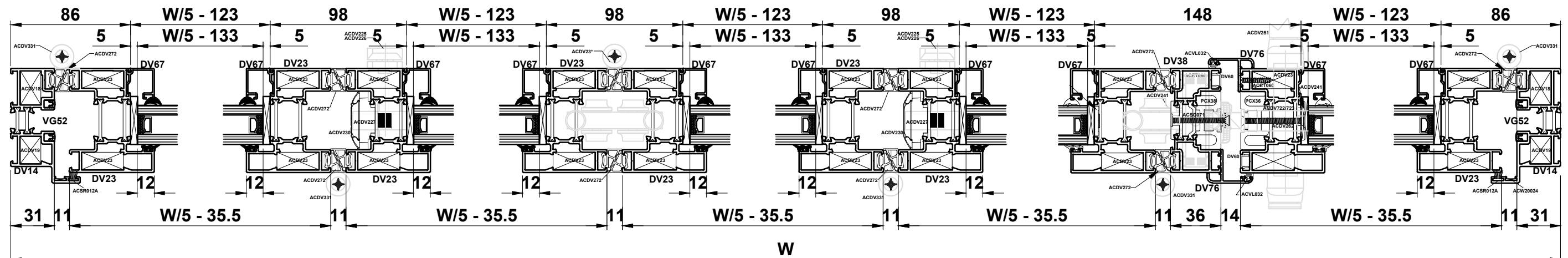
ACDV18	4	CLEAT FOR DV14
ACDV19	4	CLEAT FOR DV14
ACDV23	40	CLEAT FOR DV23
ACDV171/173	2	THRESHOLD ENDCAP
ACDV225 or 226	2	SHOOTBOLT HANDLE
ACDV227	2	SHOOTBOLT GEARBOX
ACDV228	2 (PAIR)	SHOOTBOLT ROD
ACDV229	4	SHOOTBOLT GUIDE
ACDV230	2	SHOOTBOLT COVER
ACDV331	22	INTERMEDIATE HINGE
ACDV232	1	BOTTOM ROLLER HINGE
ACDV233	1	TOP GUIDE HINGE
ACDV274	2	D-HANDLE/HINGE
ACDV241	11	FIXING BLOCK FOR LOCK
ACDV249	10 x (W/5-26)	WOOLPILE
ACDV249	2 x 47mm	WOOLPILE FOR ACDV282
ACDV251	1 (PAIR)	LEVER HANDLES
ACDV254	10 (PAIRS)	INFILL BLOCK
ACDV258 (SL)	1	50/50 CYLINDER
ACDV262	11	SCREW FOR LOCK
ACDV264	11	SCREW FOR KEEPS
ACDV272	2 x (W-62) + 20 x (H-62)	SEALING GASKET (cut to fit)
ACDV275	5	CORNER MOULDS
ACDV380	1	DV32 BOTTOM ROLLER
ACDV381	1	DV32 TOP GUIDE
ACDV282	4	WOOLPILE CARRIER
ACDV76	1 (PAIR)	END CAP FOR DV76
ACDV722/23	1	MULTI-POINT LOCK
ACDR052	4	SCREWS FOR THRESHOLD
ACET060	62	SCREW FOR DV76
ACET133	4	SCREW FOR ACDV225/6
ACMX01604 (SL)	2	HALF CYLINDER
ACDV523	11	FIXING BLOCK FOR KEEPS
ACSR012A	1 x (W-90) + 2 x (H-90)	WOOLPILE
ACSR012A	2 x 47mm	WOOLPILE FOR ACDV282
ACVG31	10 x (W/5-123) + 10 x (H-164)	EXTERNAL GLAZING GASKET
ACVG34	10 x (W/5-123) + 10 x (H-164)	INTERNAL GLAZING GASKET
ACVL032	1 x (H-67)	DV56 FLIPPER GASKET
ACW20024	4	CHEVRON FOR DV14
ACDV292	1	BRUSH PILE CARRIER



IMPORTANT NOTE:
Min. Sash Width 700mm / Max. Sash Width 1200mm
Max. Sash Weight 100kg
Max. Sash Height 2500mm Dependant On Site Conditions
Always Measure In the Last Vent.

GLASS DEDUCTIONS

DV171	5 x	W/5 - 133	H - 164
DV173	5 x	W/5 - 133	H - 169



Do Not Scale From This Drawing

Cutting Information

Do Not Scale From This Drawing